



US00D766352S

(12) **United States Design Patent**
Hinkel

(10) **Patent No.:** **US D766,352 S**
(45) **Date of Patent:** **** Sep. 13, 2016**

- (54) **CAMERA WITH HOUSING**
- (71) Applicant: **Ralf Hinkel**, Horingen (DE)
- (72) Inventor: **Ralf Hinkel**, Horingen (DE)
- (73) Assignee: **MOBOTIX AG** (DE)
- (**) Term: **15 Years**
- (21) Appl. No.: **29/553,029**
- (22) Filed: **Jan. 28, 2016**

Related U.S. Application Data

- (62) Division of application No. 29/440,413, filed on Dec. 21, 2012, now Pat. No. Des. 751,618.
- (51) **LOC (10) Cl.** **16-01**
- (52) **U.S. Cl.**
USPC **D16/203**; D16/219
- (58) **Field of Classification Search**
USPC D16/134, 136, 200, 202–204, 207, 208,
D16/210, 218, 219; D12/400; 340/937;
348/143, 148, 151, 360, 373–376;
396/427, 429, 529, 535, 539–541;
359/826–828
CPC G03B 15/03; G03B 17/02; G03B 17/04;
G03B 17/48; G03B 17/56; G03B 19/04;
G08G 1/0175; H04N 5/2251; H04N 5/2252;
H04N 5/2253; H04N 5/2254; H04N 2101/00;
B60R 1/00
See application file for complete search history.

(56) **References Cited**

U.S. PATENT DOCUMENTS

- D394,274 S 5/1998 Suzuki
- D455,166 S * 4/2002 Raad D10/104.1
- D470,520 S 2/2003 Yamakawa et al.
- D523,886 S 6/2006 Wen et al.

- D526,674 S 8/2006 Byun et al.
- D592,231 S 5/2009 Schnell
- D633,122 S 2/2011 Booker et al.
- D649,993 S * 12/2011 Ding D16/134
- D666,660 S 9/2012 Amit et al.
- D680,142 S 4/2013 Weiss
- D686,267 S 7/2013 Mihara et al.
- D690,346 S 9/2013 Woolley
- D694,306 S * 11/2013 Katori D16/203
- D694,797 S 12/2013 Parker
- D696,329 S 12/2013 Horiki et al.
- D729,859 S * 5/2015 Shin D16/203
- D729,861 S * 5/2015 Huang D16/203
- D751,129 S * 3/2016 Lellky D16/203
- 2010/0226023 A1 * 9/2010 Lee G02B 7/02
359/819
- 2011/0199485 A1 * 8/2011 Nakamura G02B 13/00
348/148
- 2014/0168800 A1 * 6/2014 Chen G02B 7/025
359/827

* cited by examiner

Primary Examiner — Susan E Krakower
Assistant Examiner — Ramzi Almatrahi
(74) *Attorney, Agent, or Firm* — Salter & Michaelson

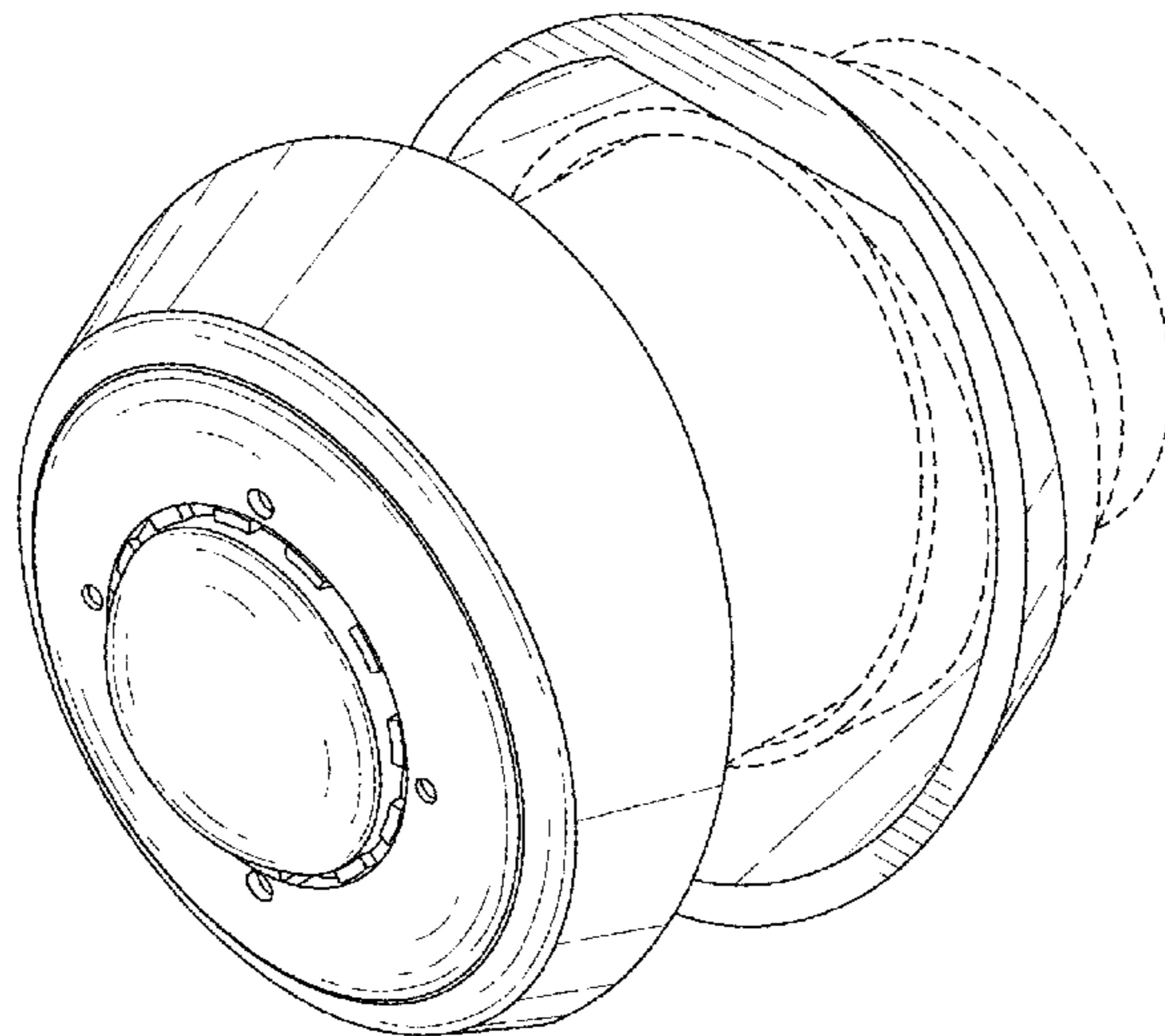
(57) **CLAIM**

The ornamental design for a camera with housing, as shown and described.

DESCRIPTION

FIG. 1 is a front elevational view of a camera with housing; FIG. 2 is a rear elevational view thereof; FIG. 3 is a left side elevational view thereof; FIG. 4 is a right side elevational view thereof; FIG. 5 is a top plan view thereof; FIG. 6 is a bottom plan view thereof; and, FIG. 7 is a top isometric view thereof. The broken lines depict portions of a camera with housing in which the design is embodied and form no part of the claimed design.

1 Claim, 7 Drawing Sheets



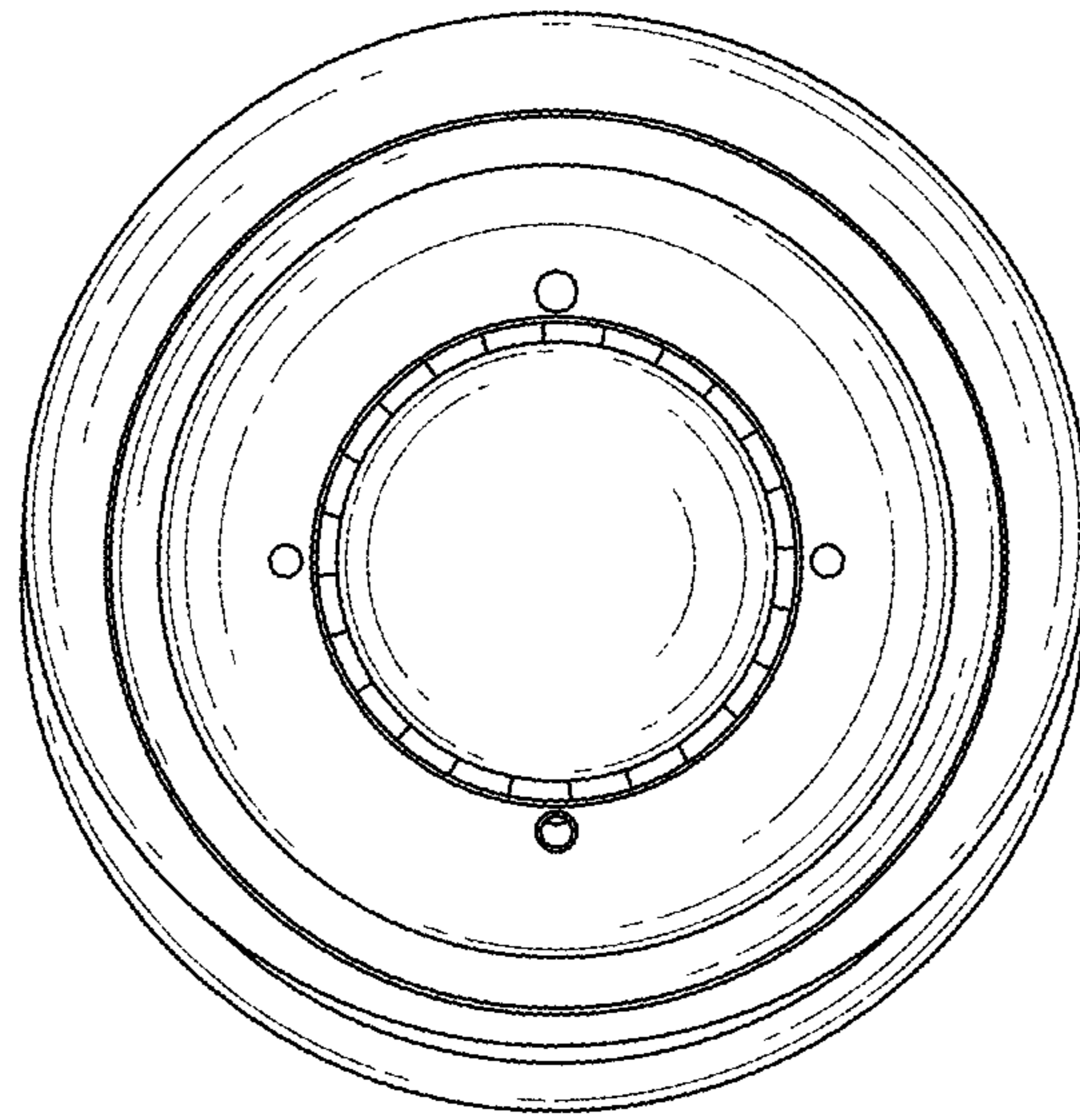


FIG. 1

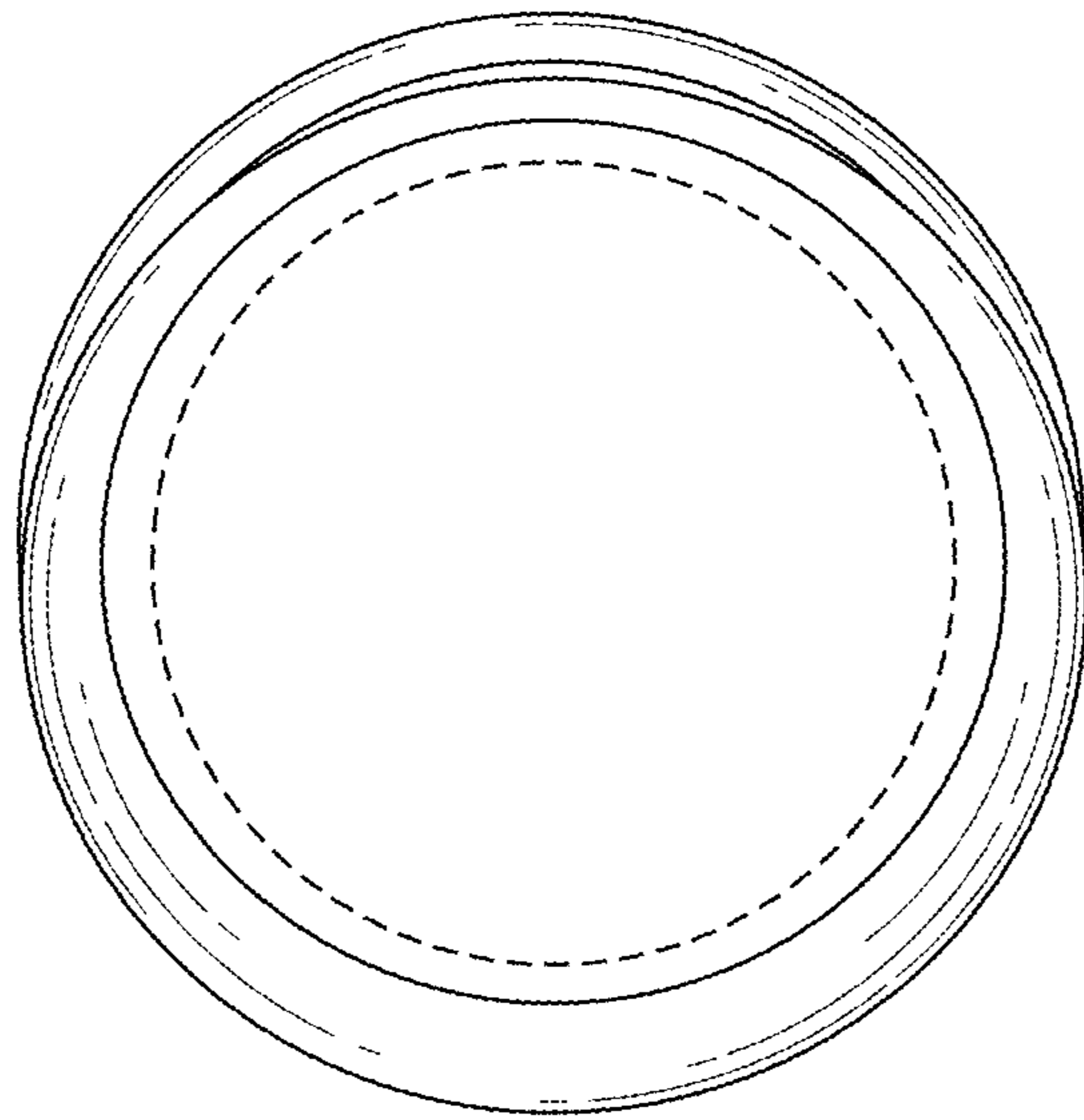


FIG. 2

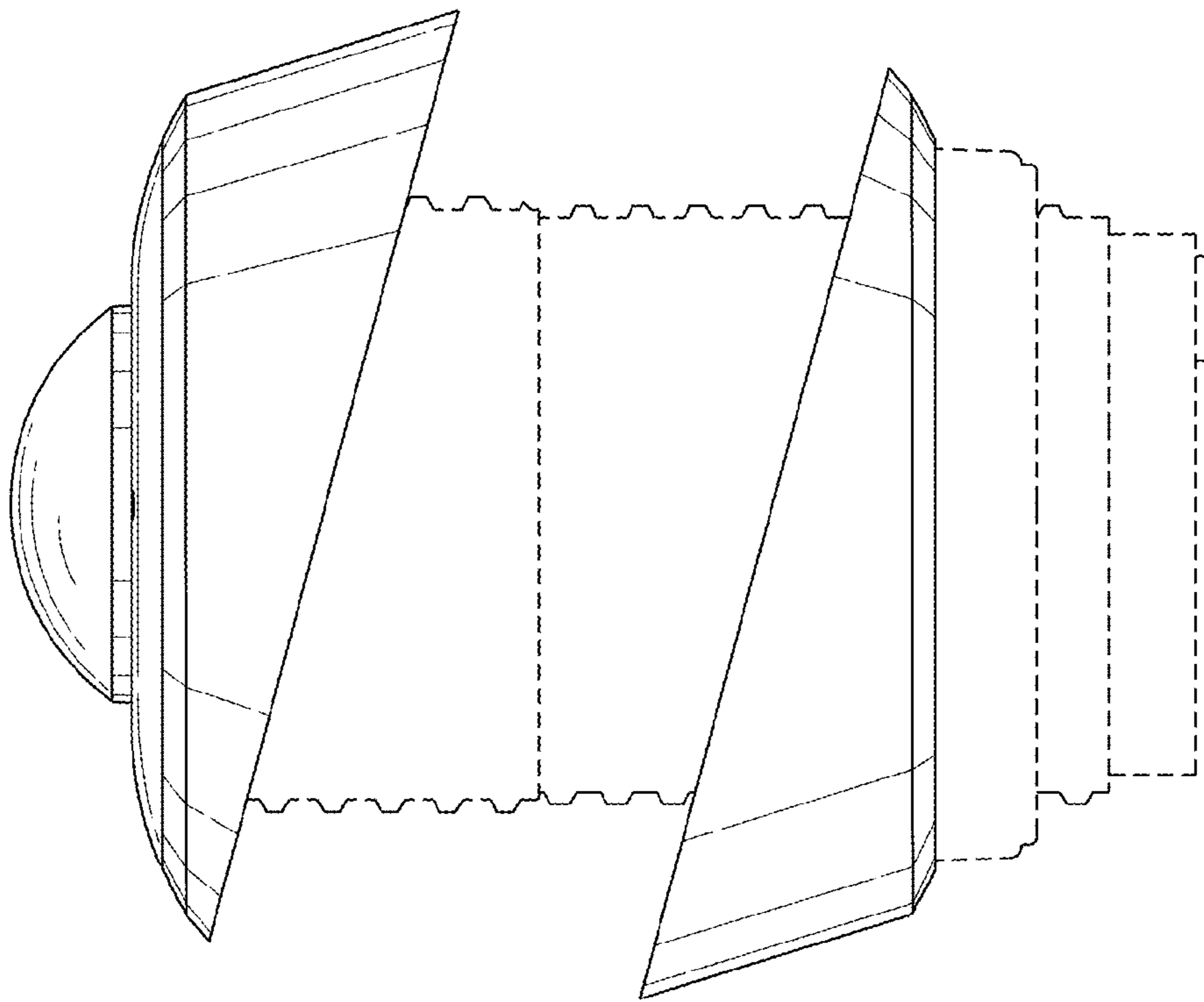


FIG. 3

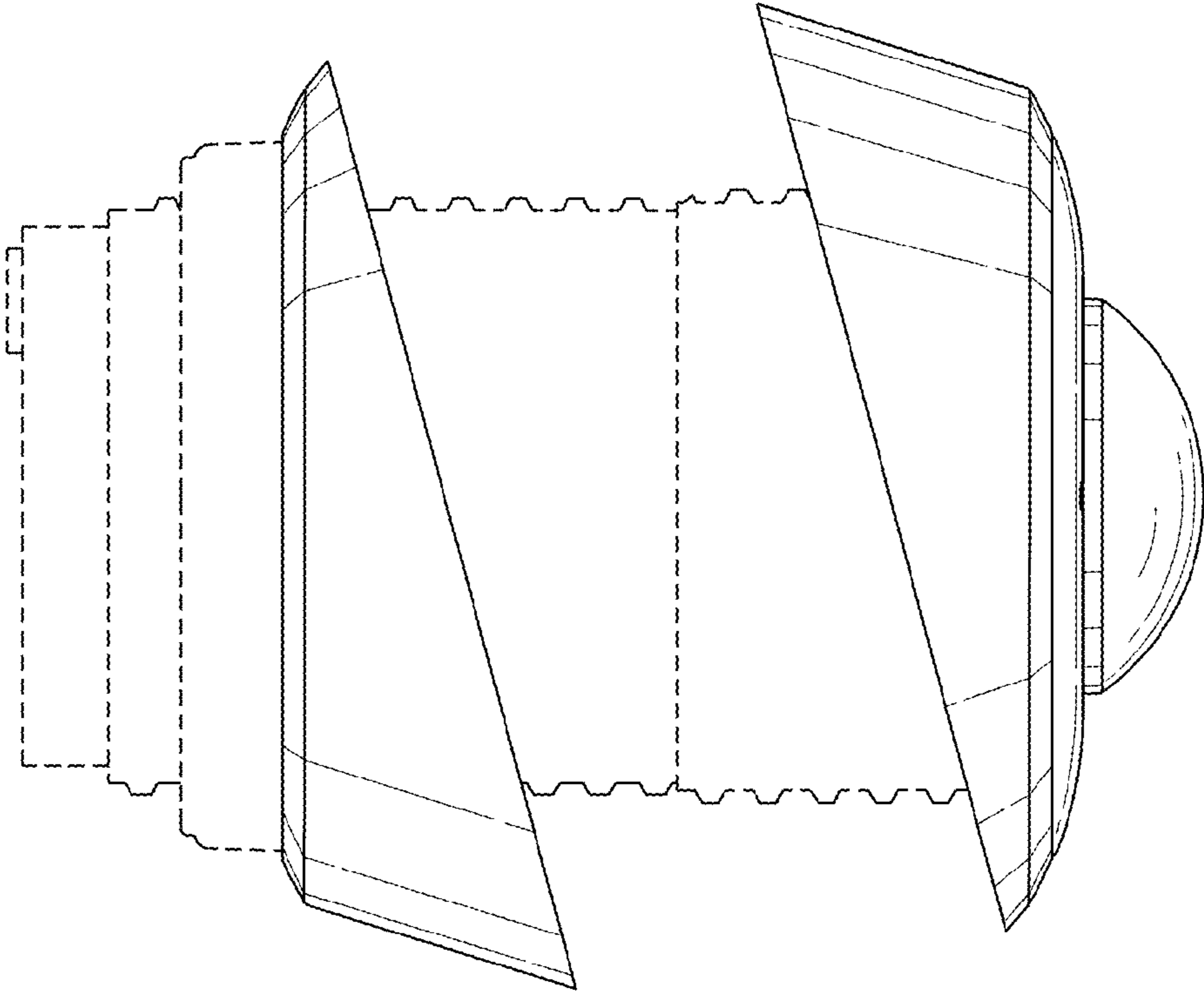


FIG. 4

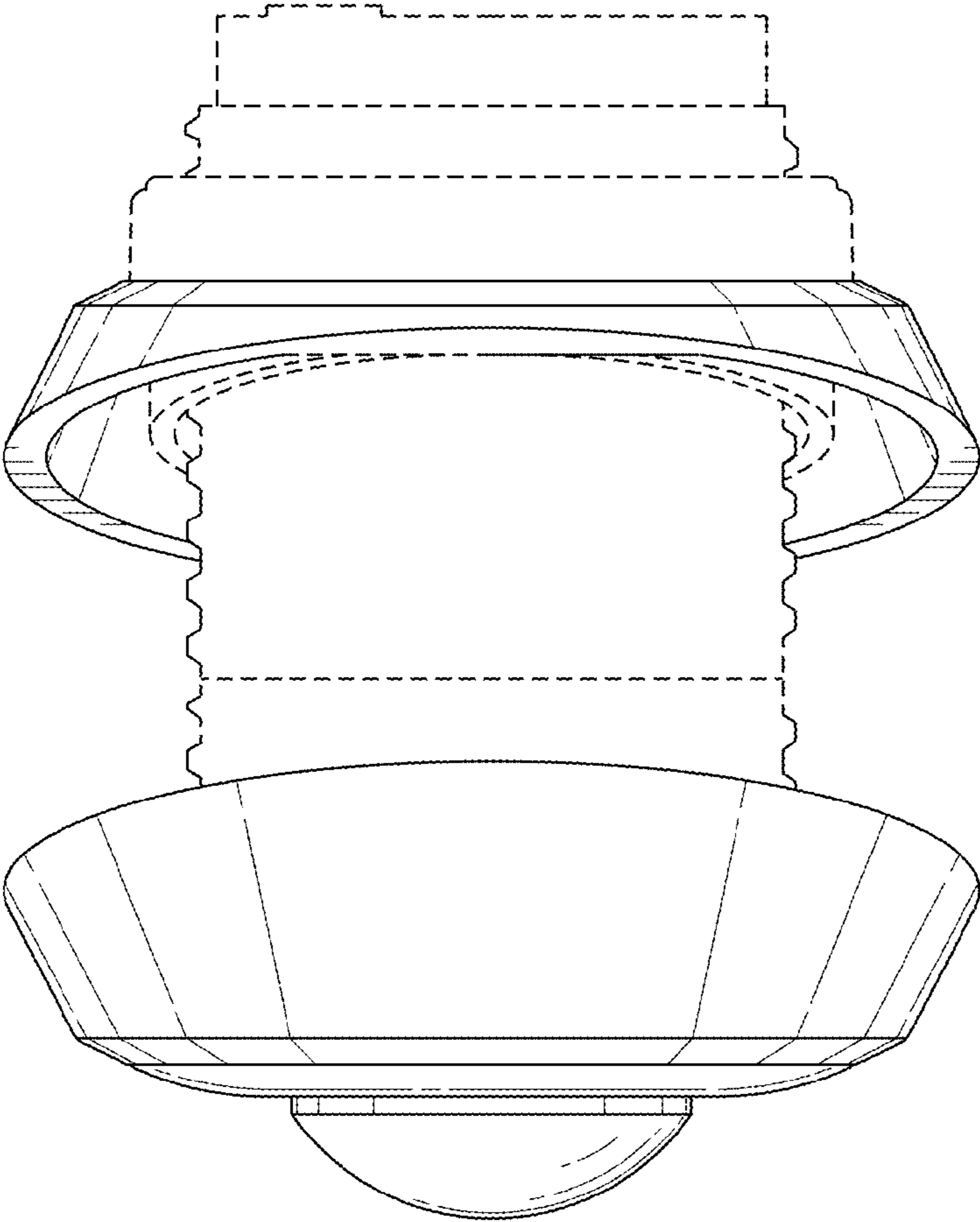


FIG. 5

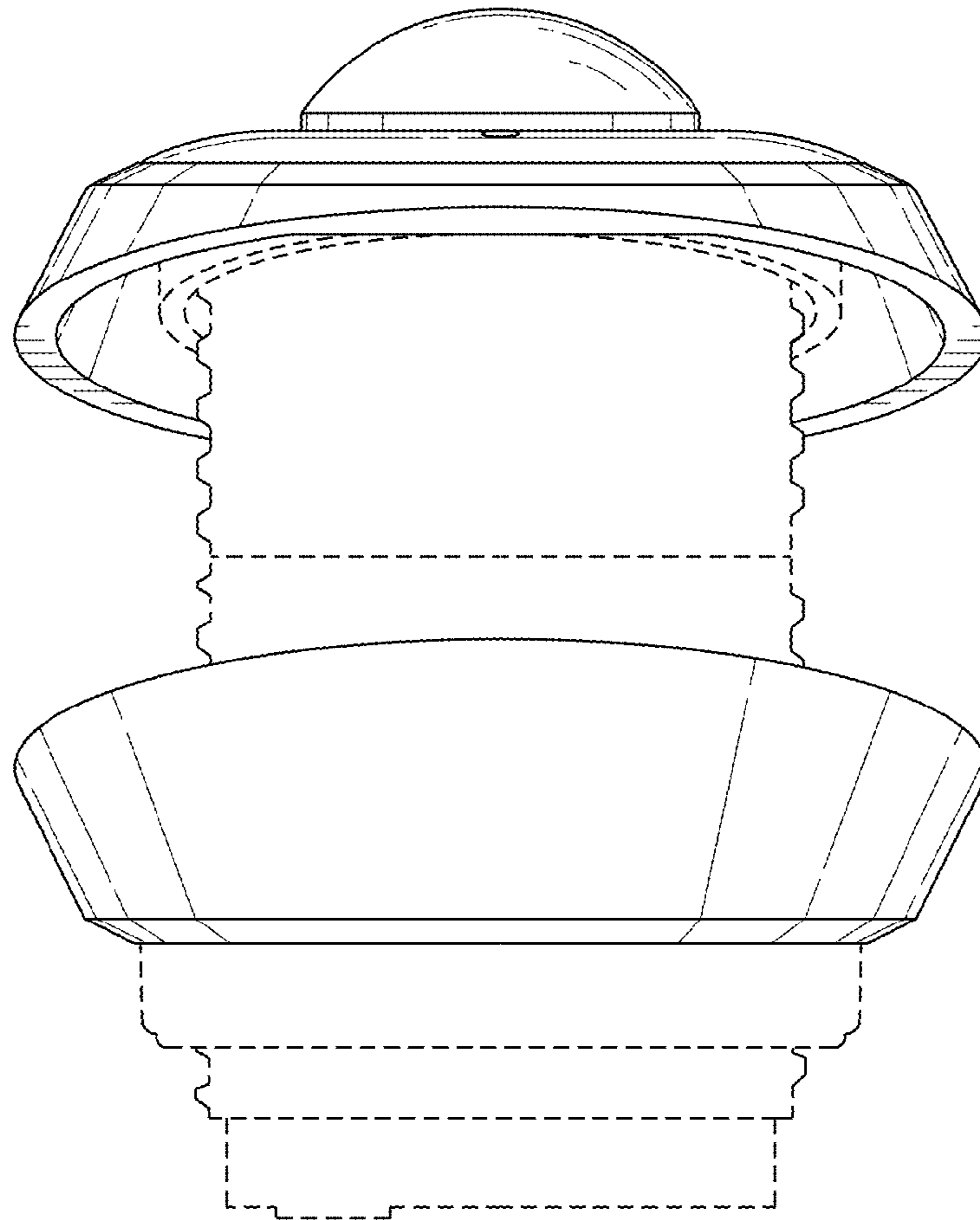


FIG. 6

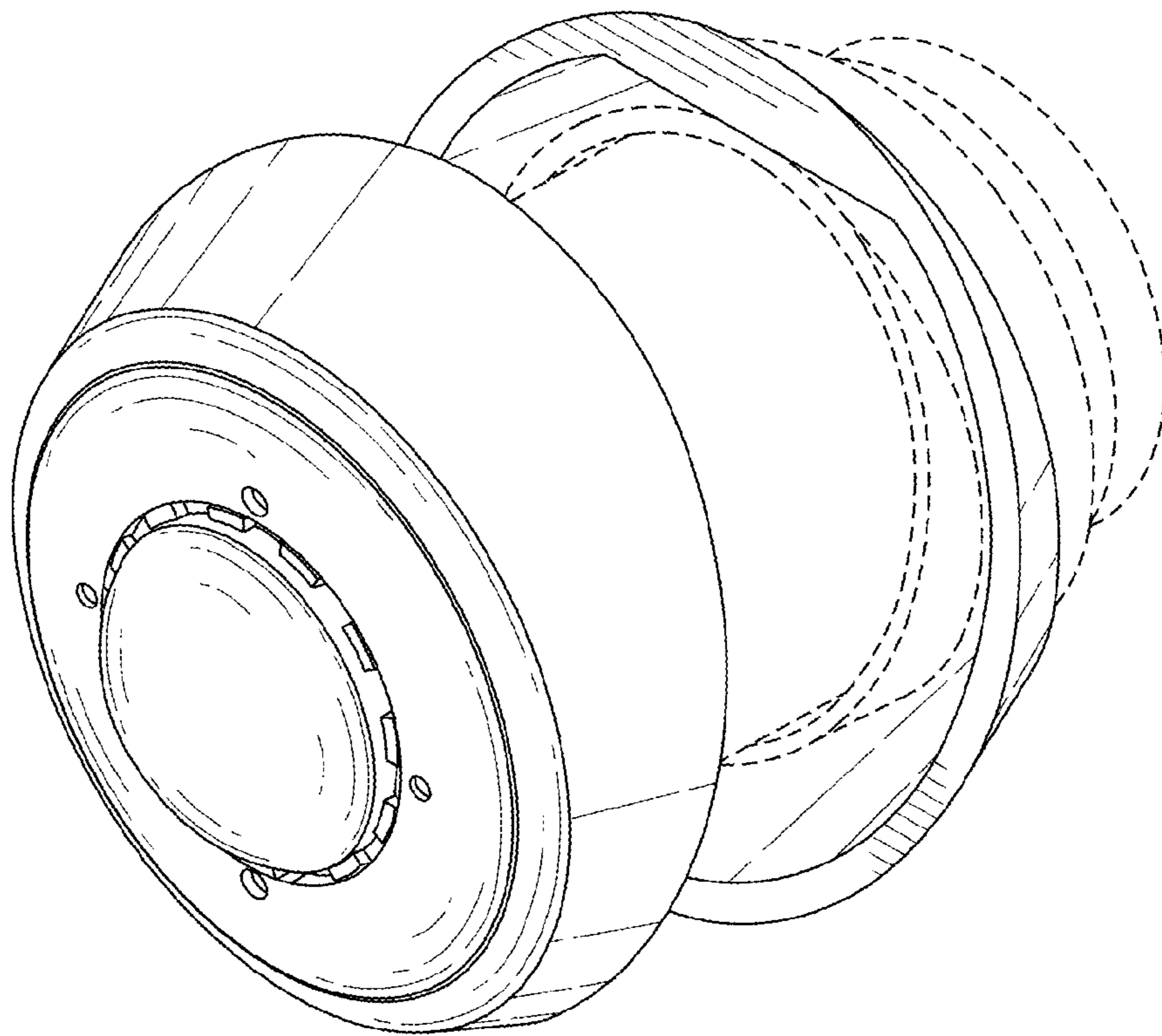


FIG. 7