



US00D766351S

(12) **United States Design Patent**
Li et al.

(10) **Patent No.: US D766,351 S**
(45) **Date of Patent: ** Sep. 13, 2016**

- (54) **CAMERA**
- (71) Applicant: **Autel Aerotech Co., Ltd.**, Shenzhen (CN)
- (72) Inventors: **Hongjing Li**, Shenzhen (CN); **Juntian Jiang**, Shenzhen (CN)
- (73) Assignee: **Autel Aerotech Co., Ltd.**, Shenzhen, Guangdong (CN)
- (**) Term: **14 Years**
- (21) Appl. No.: **29/513,538**
- (22) Filed: **Dec. 31, 2014**
- (51) **LOC (10) Cl.** **16-01**
- (52) **U.S. Cl.**
USPC **D16/202**
- (58) **Field of Classification Search**
USPC D16/200, 202–206, 208, 209, 218, 219;
348/294, 373–376; 359/826, 827;
396/6, 121, 301, 529, 535, 539–541
CPC G03B 15/03; G03B 17/02; G03B 17/04;
G03B 17/56; G03B 19/04; H04N 5/2251;
H04N 5/2252; H04N 5/2253; H04N 5/2254;
H04N 2101/00
See application file for complete search history.

(56) **References Cited**

U.S. PATENT DOCUMENTS

D321,705 S *	11/1991	Ohmura	D16/200
6,233,400 B1 *	5/2001	Muramatsu	G03B 17/02 396/284
7,590,340 B2 *	9/2009	Senba	G03B 17/14 396/121
7,626,621 B2 *	12/2009	Ito	H04N 5/2253 348/294

7,683,968 B2 *	3/2010	Hagihara	G02B 27/0006 348/335
7,768,727 B2 *	8/2010	Iida	G02B 7/102 359/819
7,801,439 B2 *	9/2010	Nagata	G03B 17/12 396/301
D721,395 S *	1/2015	Woodman	D16/218
8,941,934 B2 *	1/2015	Yang	G02B 7/022 359/827
D737,879 S *	9/2015	Woodman	D16/218
2003/0035052 A1 *	2/2003	Baron	H04N 5/232 348/207.99
2005/0212959 A1 *	9/2005	Manabe	G03B 17/04 348/375
2006/0233545 A1 *	10/2006	Senba	G03B 17/14 396/529

* cited by examiner

Primary Examiner — Susan E Krakower

Assistant Examiner — Ramzi Almatrahi

(74) *Attorney, Agent, or Firm* — Dahyee Law Group; Leon E. Jew; Rouzbeh Alani

(57) **CLAIM**

The ornamental design for a camera, as shown and described.

DESCRIPTION

FIG. 1 is a perspective view of a camera showing our new design;

FIG. 2 is a front elevation view thereof;

FIG. 3 is a rear elevation view thereof;

FIG. 4 is a right side elevation view thereof;

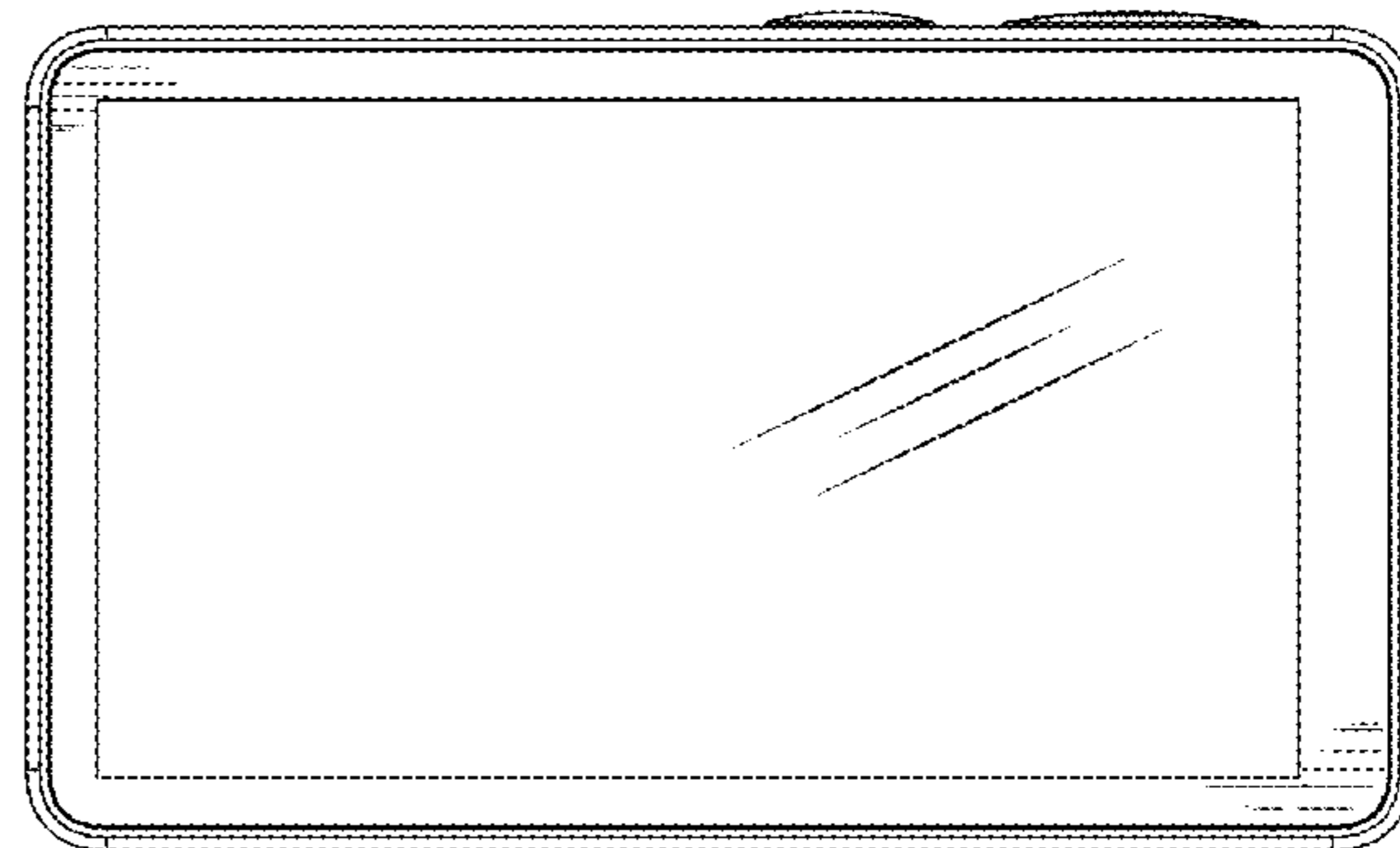
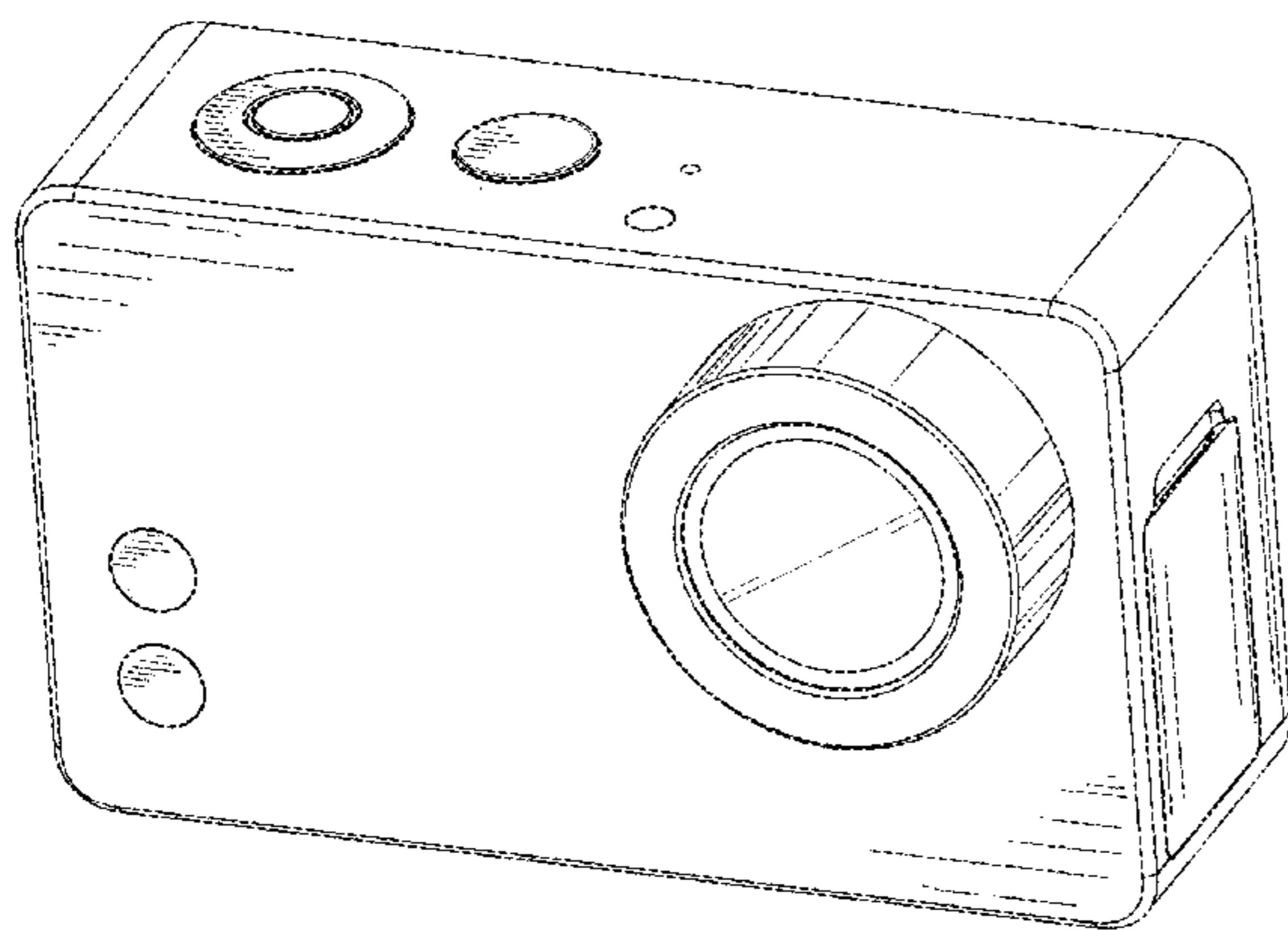
FIG. 5 is a left side elevation view thereof;

FIG. 6 is a top plan view thereof; and,

FIG. 7 is a bottom plan view thereof.

The broken lines depict portions of a camera in which the design is embodied and form no part of the claimed design.

1 Claim, 7 Drawing Sheets



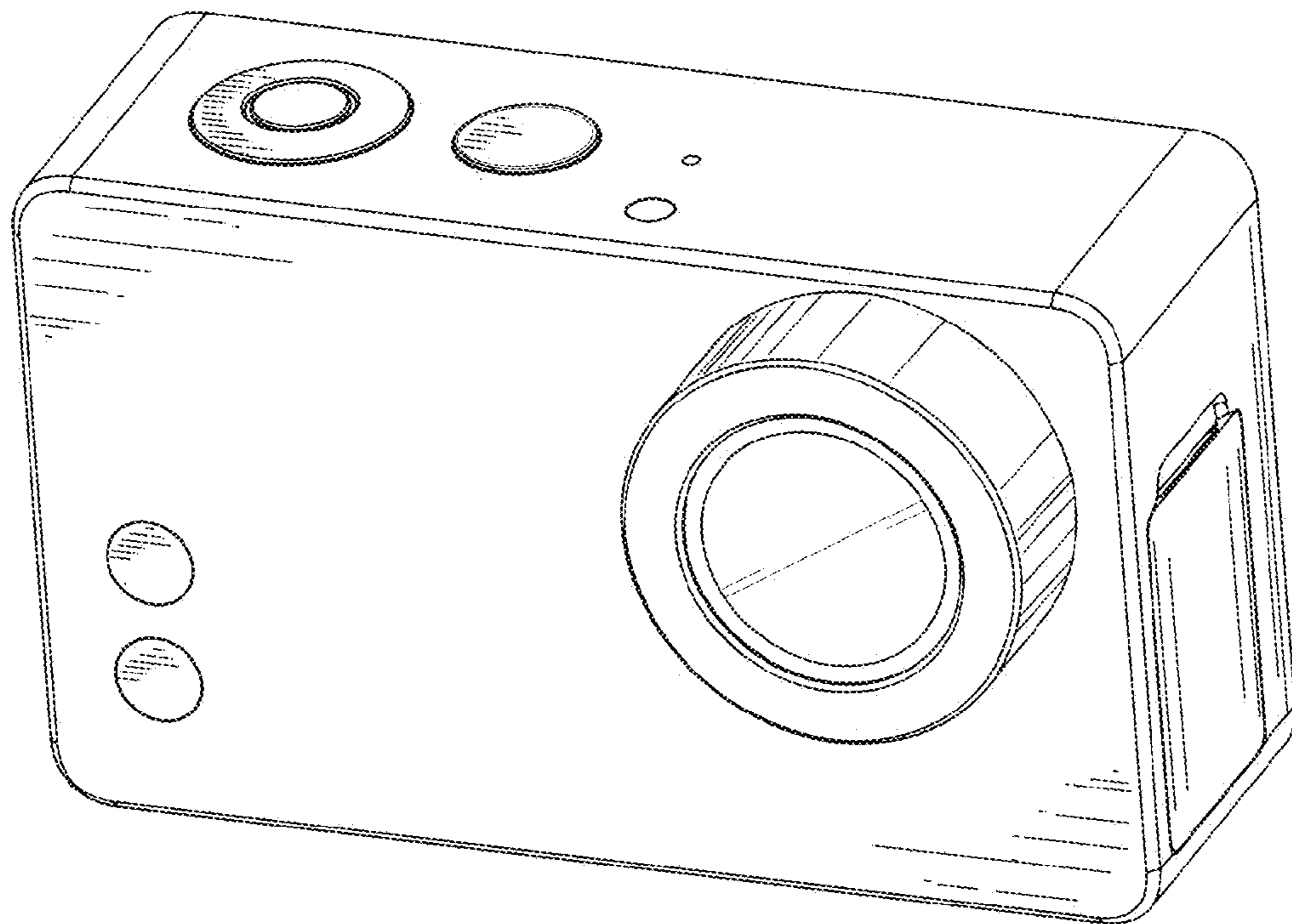


Fig. 1

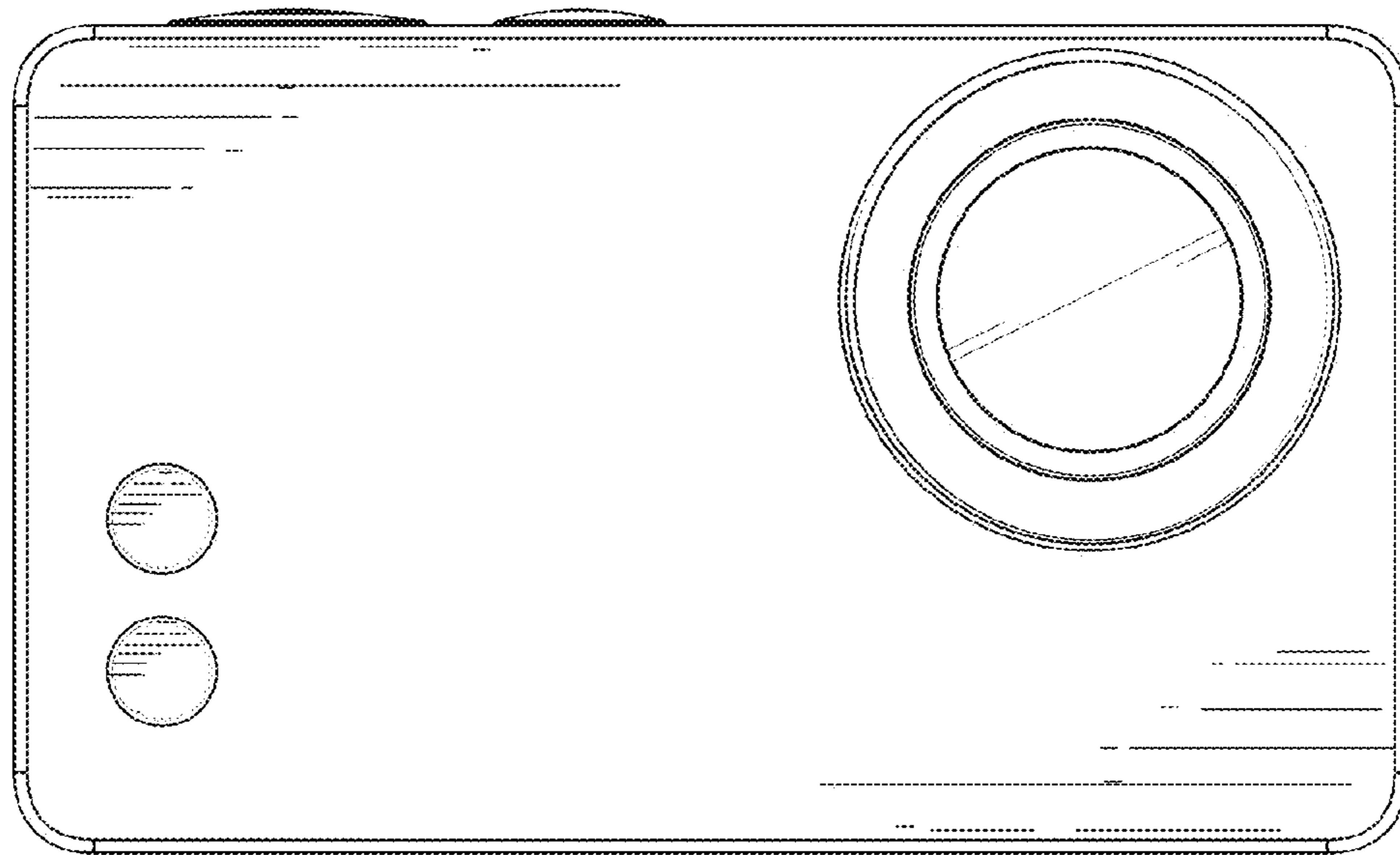


Fig. 2

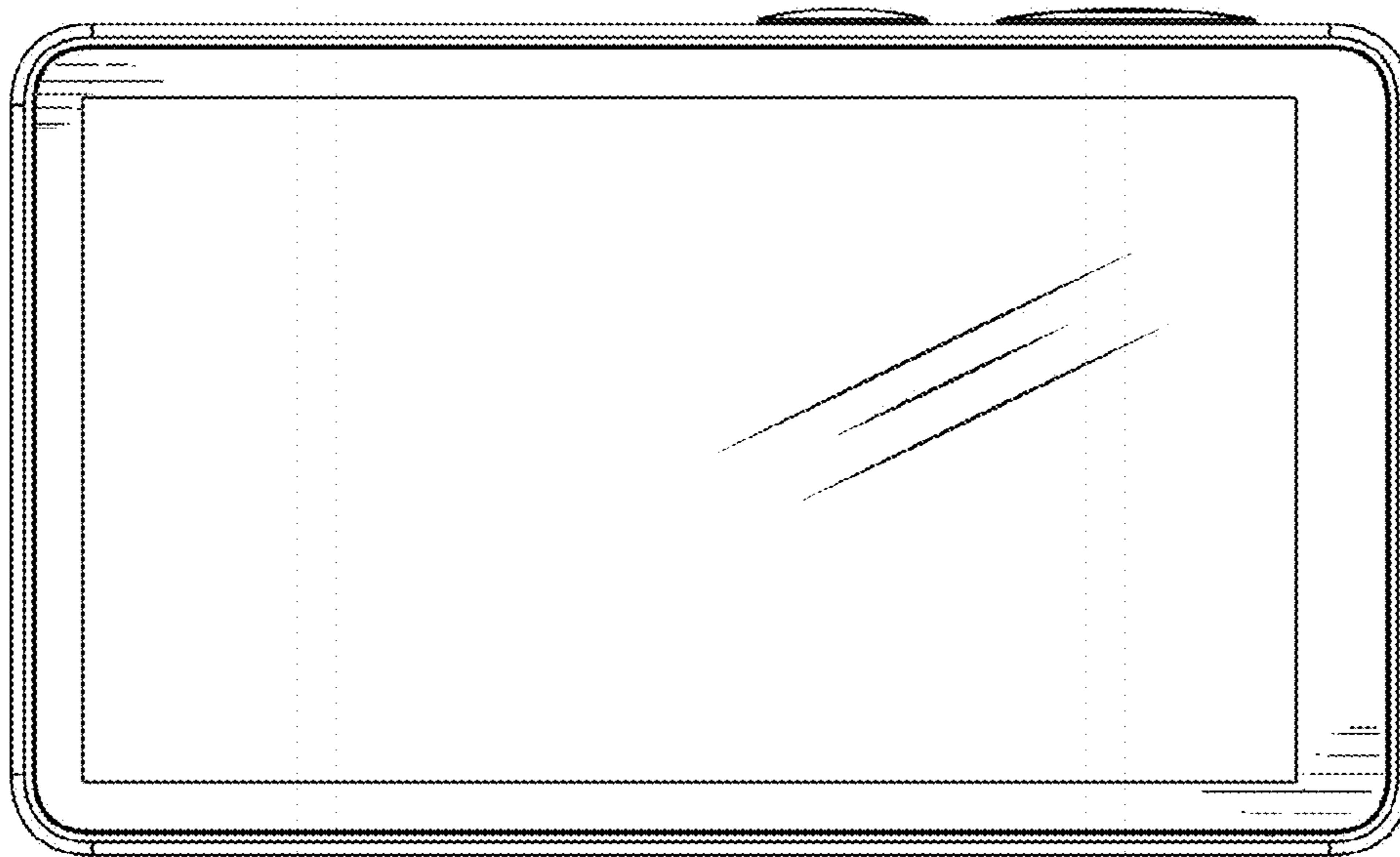


Fig. 3

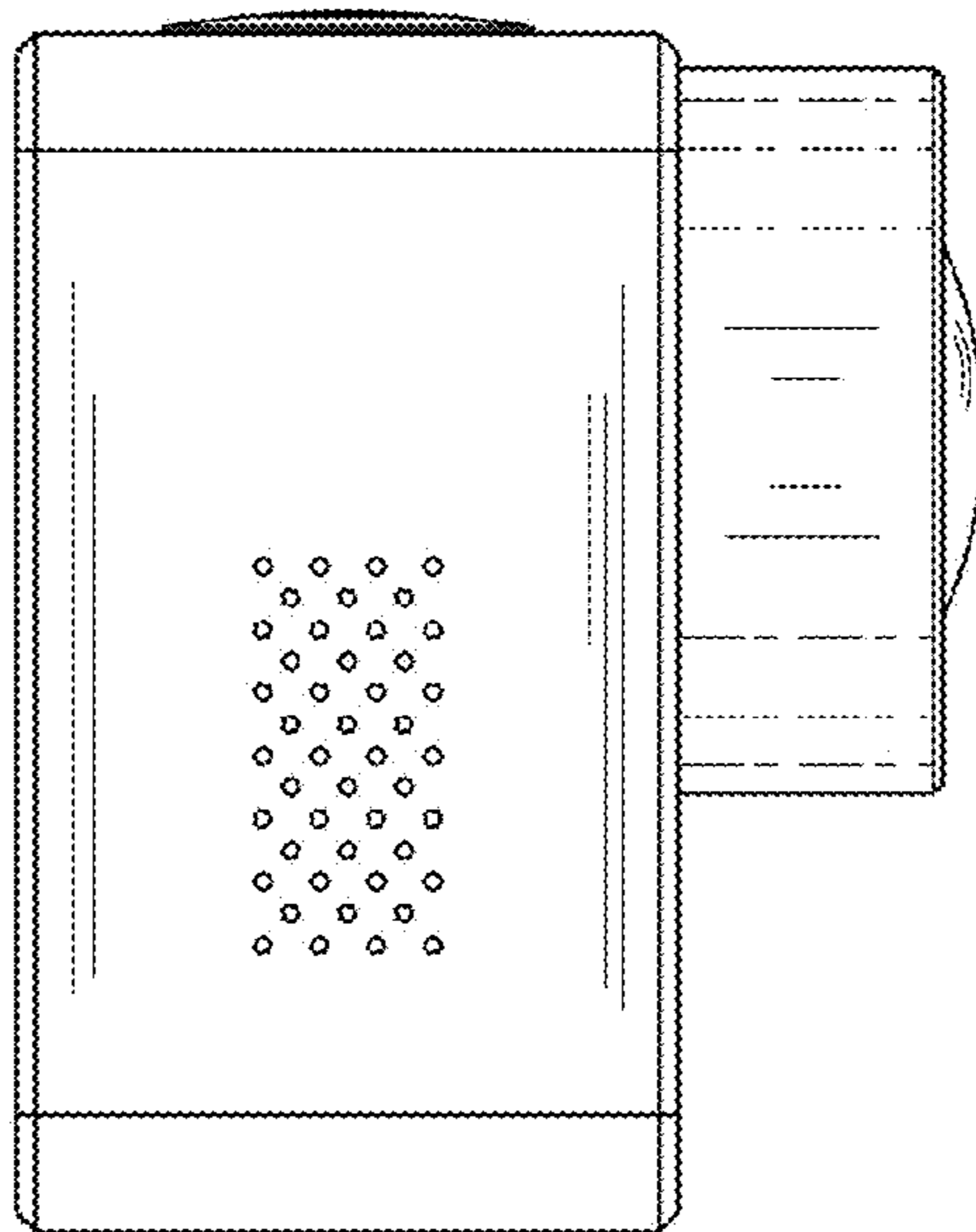


Fig. 4

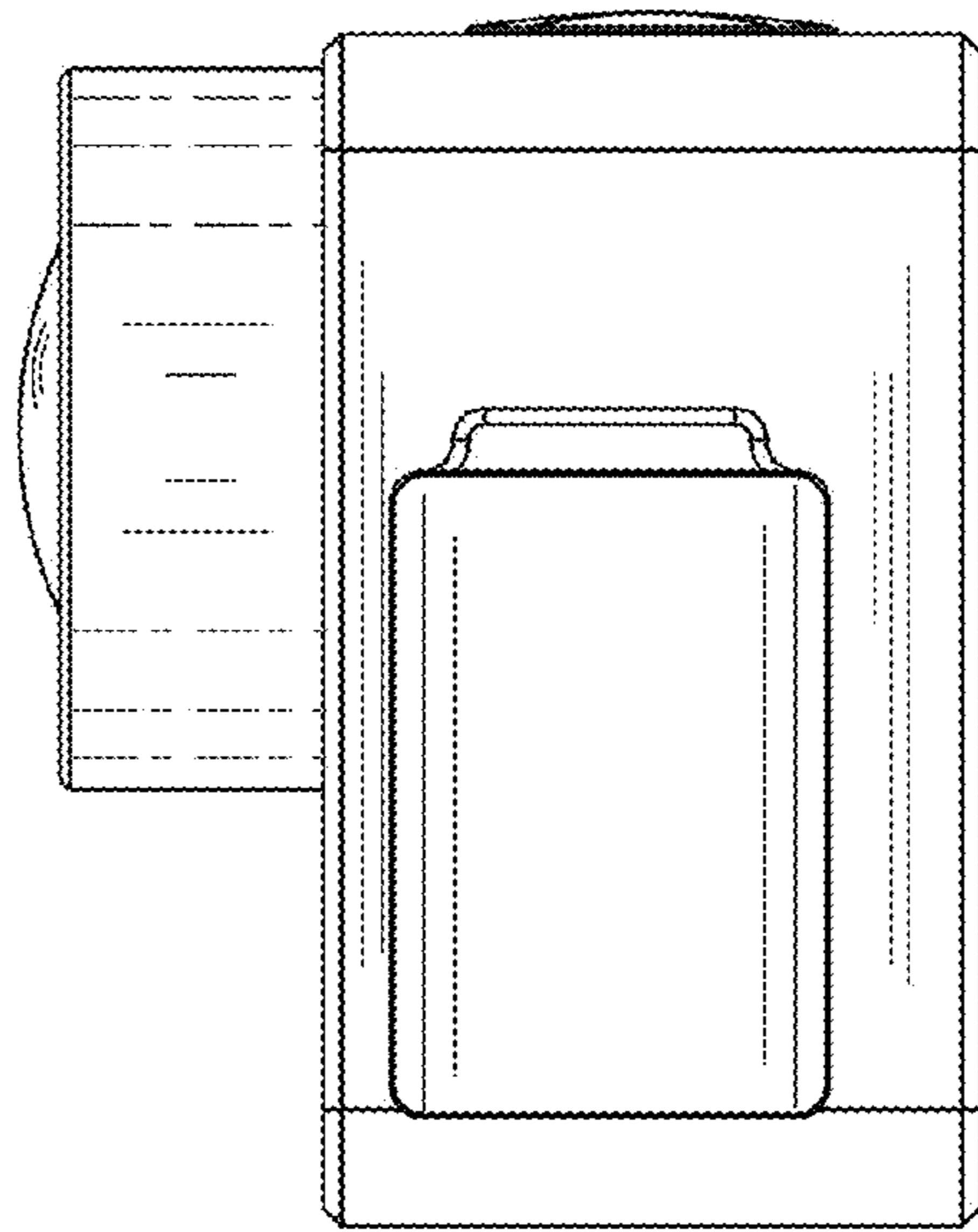


Fig. 5

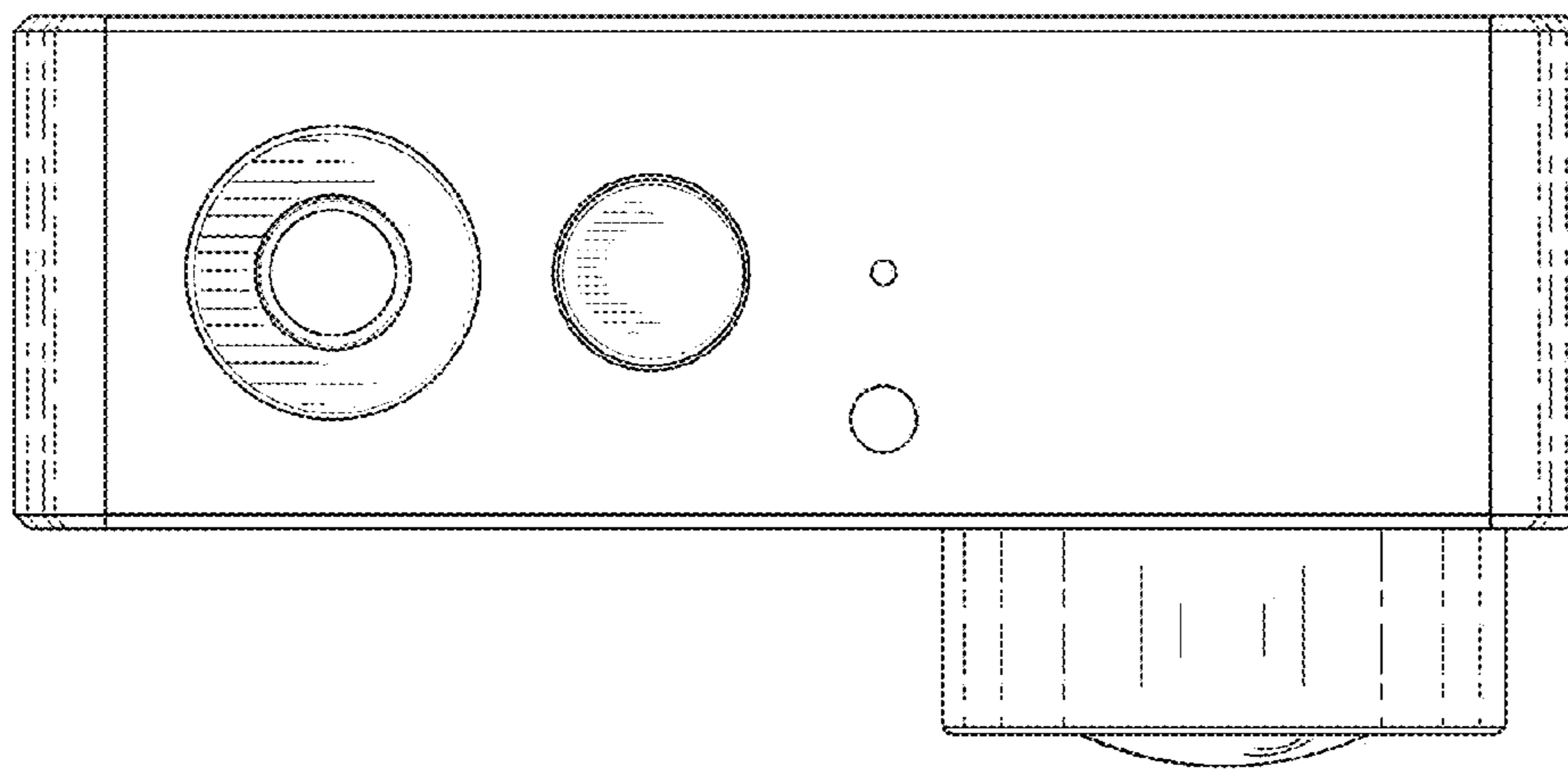


Fig. 6

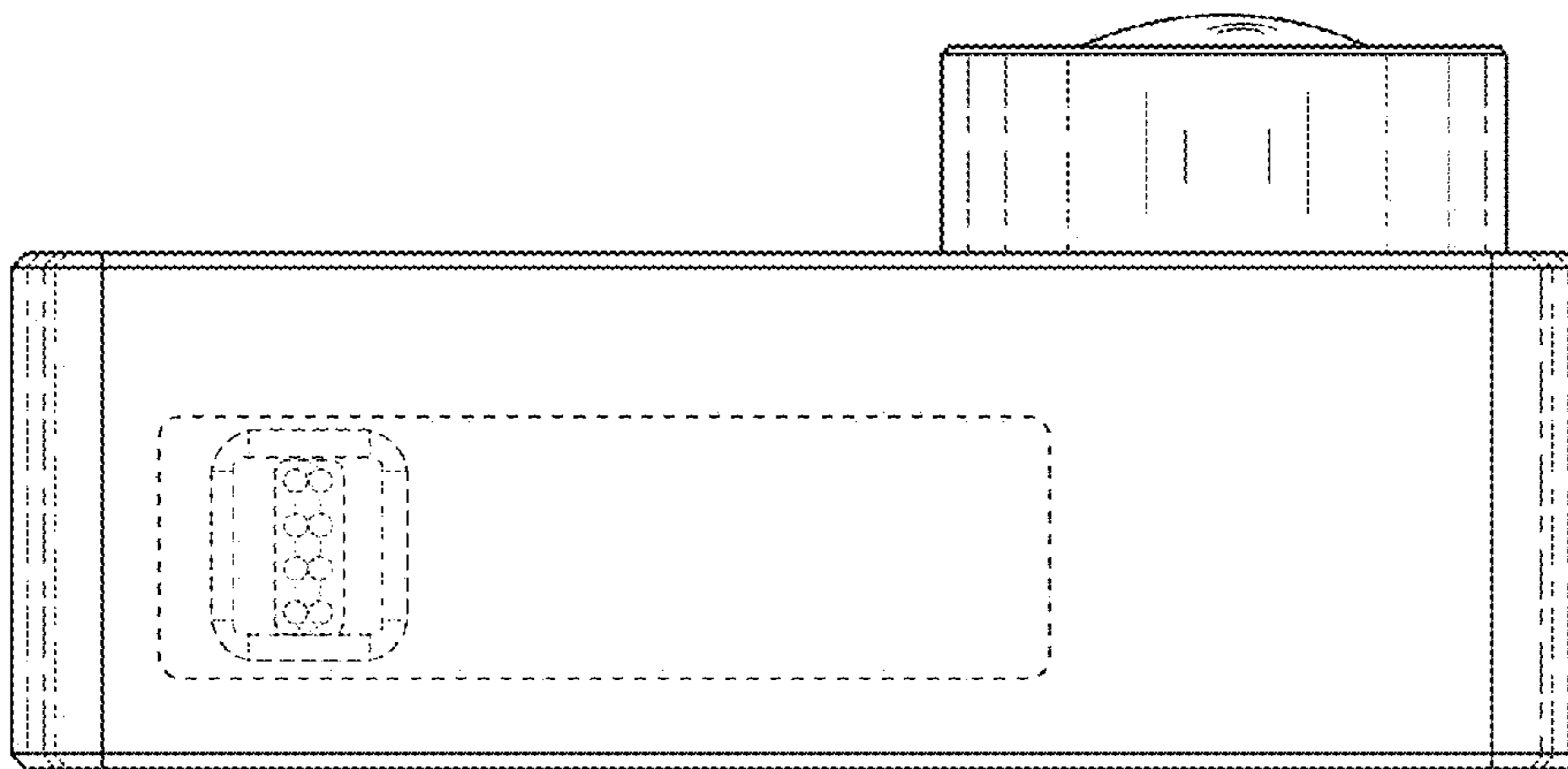


Fig. 7