

US00D766349S

(12) **United States Design Patent**  
**Dressler et al.**

(10) **Patent No.:** **US D766,349 S**

(45) **Date of Patent:** **\*\* \*Sep. 13, 2016**

(54) **ASSEMBLY MACHINE FOR TIRES**

(71) Applicant: **Robert Bosch GmbH**, Stuttgart (DE)

(72) Inventors: **Bjoern Dressler**, Iphofen (DE); **Marco Vezzali**, Correggio Reggio Emilia (IT); **Marco Vescovini**, Cavezzo Modena (IT)

(73) Assignee: **Robert Bosch GmbH**, Stuttgart (DE)

(\*) Notice: This patent is subject to a terminal disclaimer.

(\*\*) Term: **14 Years**

(21) Appl. No.: **29/519,721**

(22) Filed: **Mar. 6, 2015**

(30) **Foreign Application Priority Data**

Sep. 10, 2014 (EM) ..... 002534800

(51) **LOC (10) Cl.** ..... **15-09**

(52) **U.S. Cl.**  
USPC ..... **D15/199**; D15/138

(58) **Field of Classification Search**  
USPC ..... D15/138, 199  
See application file for complete search history.

(56) **References Cited**

**U.S. PATENT DOCUMENTS**

- 2,603,581 A \* 7/1952 Ericson ..... B29D 30/248  
156/415
- 2,712,850 A \* 7/1955 Rerick ..... B60C 25/132  
157/1.21
- 4,354,386 A \* 10/1982 Newton ..... B24B 49/165  
73/460

- 4,378,834 A \* 4/1983 Satzler ..... B60C 25/132  
157/1.1
- 4,445,963 A \* 5/1984 Klose ..... B29D 30/2607  
156/418
- 4,753,707 A \* 6/1988 Crombie ..... B29D 30/24  
156/396
- 4,836,880 A \* 6/1989 Haas ..... B29D 30/247  
156/400
- 5,354,404 A \* 10/1994 Benjamin ..... B29D 30/005  
156/123
- 5,460,685 A \* 10/1995 Siegenthaler ..... B29D 30/36  
156/417

(Continued)

*Primary Examiner* — Patricia Palasik

(74) *Attorney, Agent, or Firm* — Maginot, Moore & Beck LLP

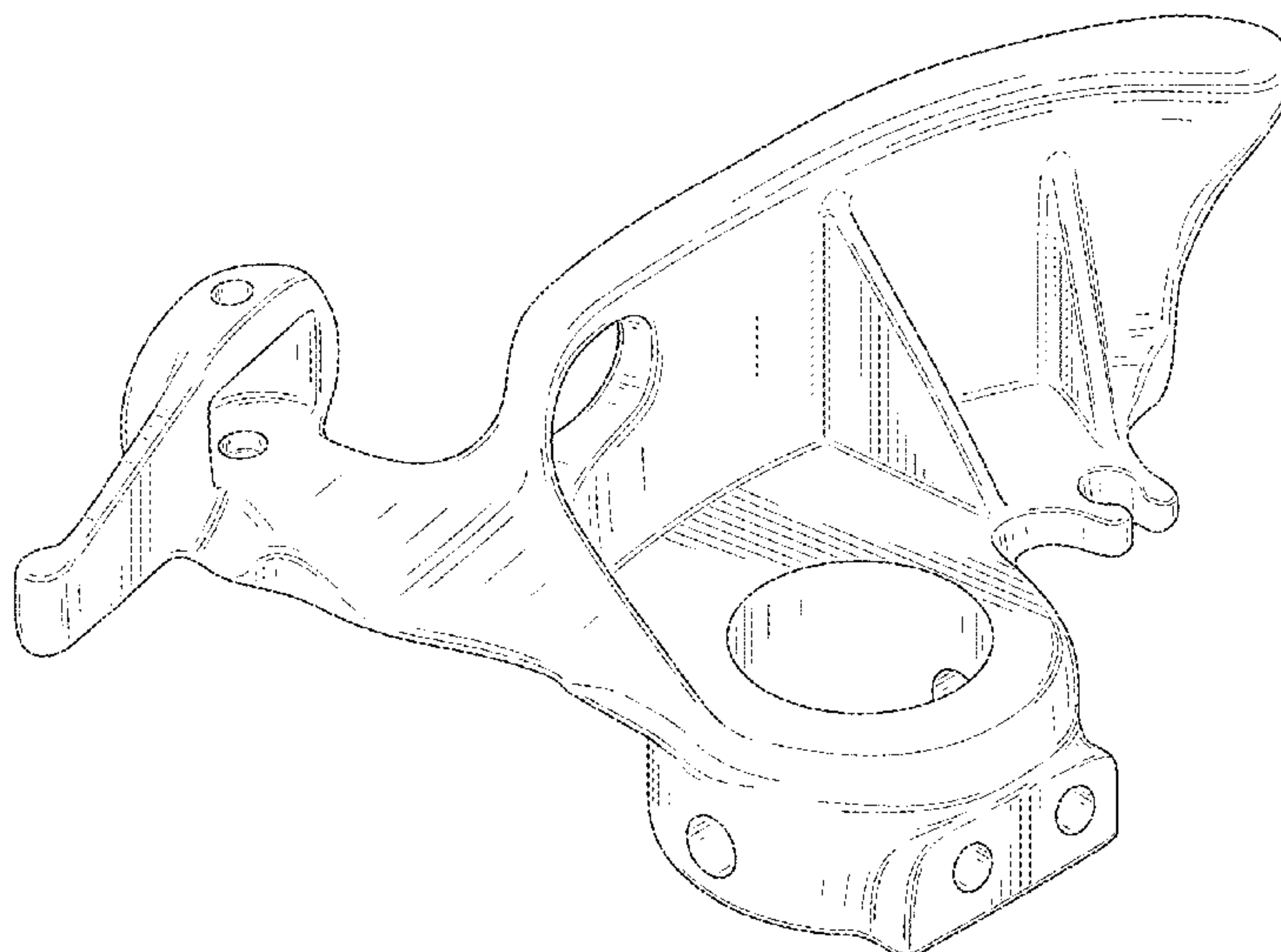
(57) **CLAIM**

The ornamental design for an assembly machine for tires, as shown and described.

**DESCRIPTION**

FIG. 1 is a perspective view of an assembly machine for tires showing our new design;  
 FIG. 2 is a left side elevational view showing the design for the assembly machine for tires of FIG. 1;  
 FIG. 3 is a right side elevational view showing the design for the assembly machine for tires of FIG. 1;  
 FIG. 4 is a front elevational view showing the design for the assembly machine for tires of FIG. 1;  
 FIG. 5 is a rear elevational view showing the design for the assembly machine for tires of FIG. 1;  
 FIG. 6 is a top plan view showing the design for the assembly machine for tires of FIG. 1; and,  
 FIG. 7 is a bottom plan view showing the design for the assembly machine for tires of FIG. 1.

**1 Claim, 6 Drawing Sheets**



(56)

References Cited

U.S. PATENT DOCUMENTS

5,941,294 A *	8/1999	Cunningham	.....	B60C 25/132	7,438,109 B2 *	10/2008	Cunningham	.....	B60C 25/138
				157/1.2					157/1.24
6,056,034 A *	5/2000	Matnick	.....	B60C 25/138	7,654,788 B2 *	2/2010	Rogalla	.....	B25J 15/106
				157/1.17					294/106
6,062,289 A *	5/2000	Cunningham	.....	B60C 25/0545	8,333,228 B1 *	12/2012	Cunningham	.....	B60C 25/147
				157/14					157/1
6,125,904 A *	10/2000	Kane	.....	B60C 25/0515	8,534,770 B2 *	9/2013	White	.....	B60B 27/02
				157/1					301/105.1
6,422,285 B1 *	7/2002	Gonzaga	.....	B60C 25/132	8,613,303 B1 *	12/2013	Hanneken	.....	B60C 25/138
				157/1.24					157/1.17
6,886,619 B2 *	5/2005	Gonzaga	.....	B60C 25/138	8,770,254 B1 *	7/2014	Hanneken	.....	B60C 25/138
				157/1.2					157/1.17
7,000,663 B2 *	2/2006	Barody	.....	B29D 30/246	8,776,858 B2 *	7/2014	Corgi	.....	B60C 25/056
				156/415					157/1.1
7,089,987 B2 *	8/2006	Gonzaga	.....	B60C 25/138	8,783,326 B1 *	7/2014	Vaninger	.....	B60C 25/0551
				157/1.17					157/1.17
7,172,396 B2 *	2/2007	Galigani	.....	B29D 30/0603	8,943,880 B2 *	2/2015	Vignoli	.....	B60C 25/0554
				425/36					73/146
7,404,427 B2 *	7/2008	Hillman	.....	B60C 25/138	D725,689 S *	3/2015	Vaninger	.....	D15/199
				157/1	8,997,823 B2 *	4/2015	Lawson	.....	B25J 11/00
									157/1.17
					9,061,555 B2 *	6/2015	Mallett	.....	B60C 25/0515
					9,114,676 B2 *	8/2015	Sotgiu	.....	B60C 25/132

\* cited by examiner

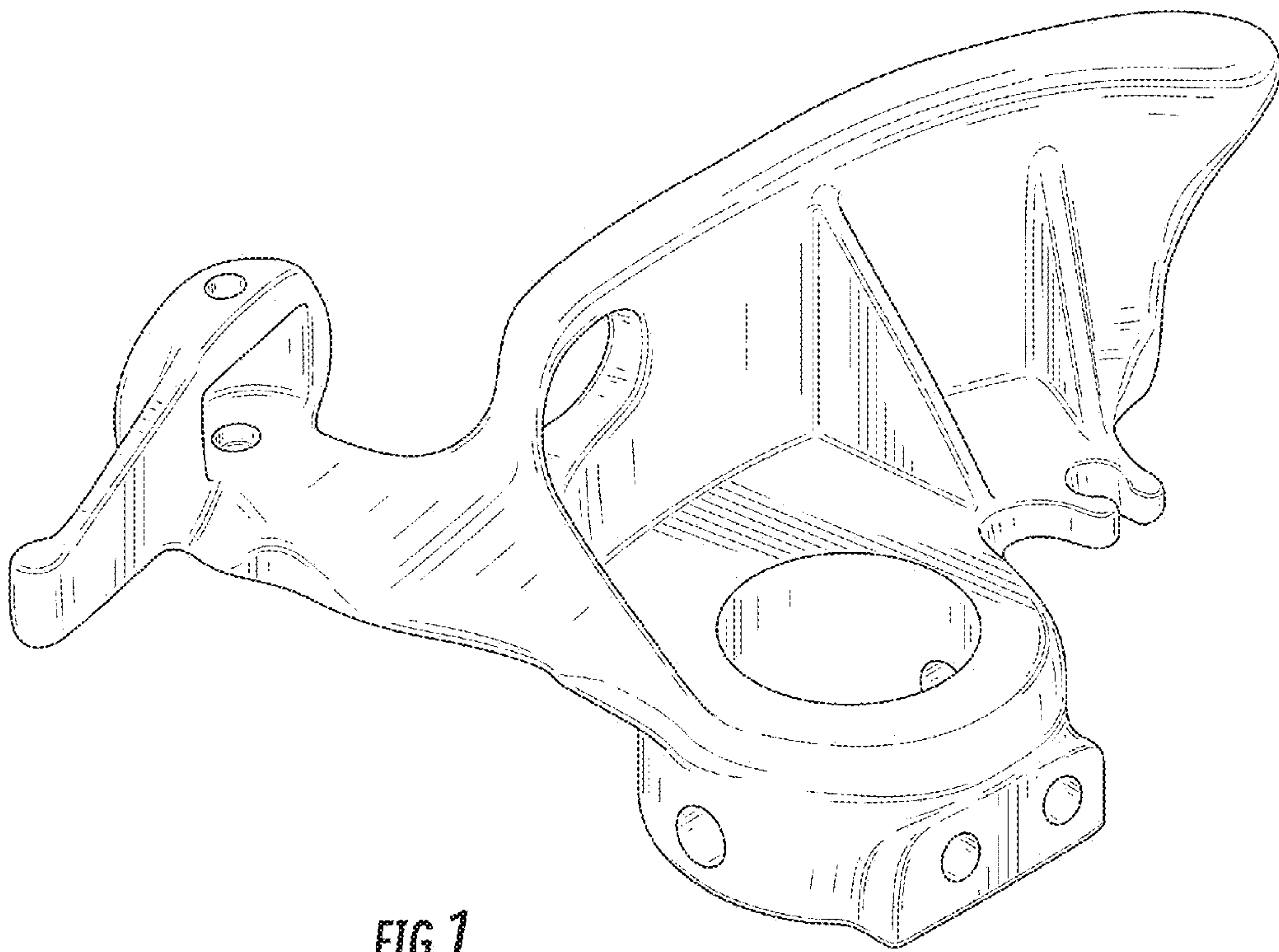
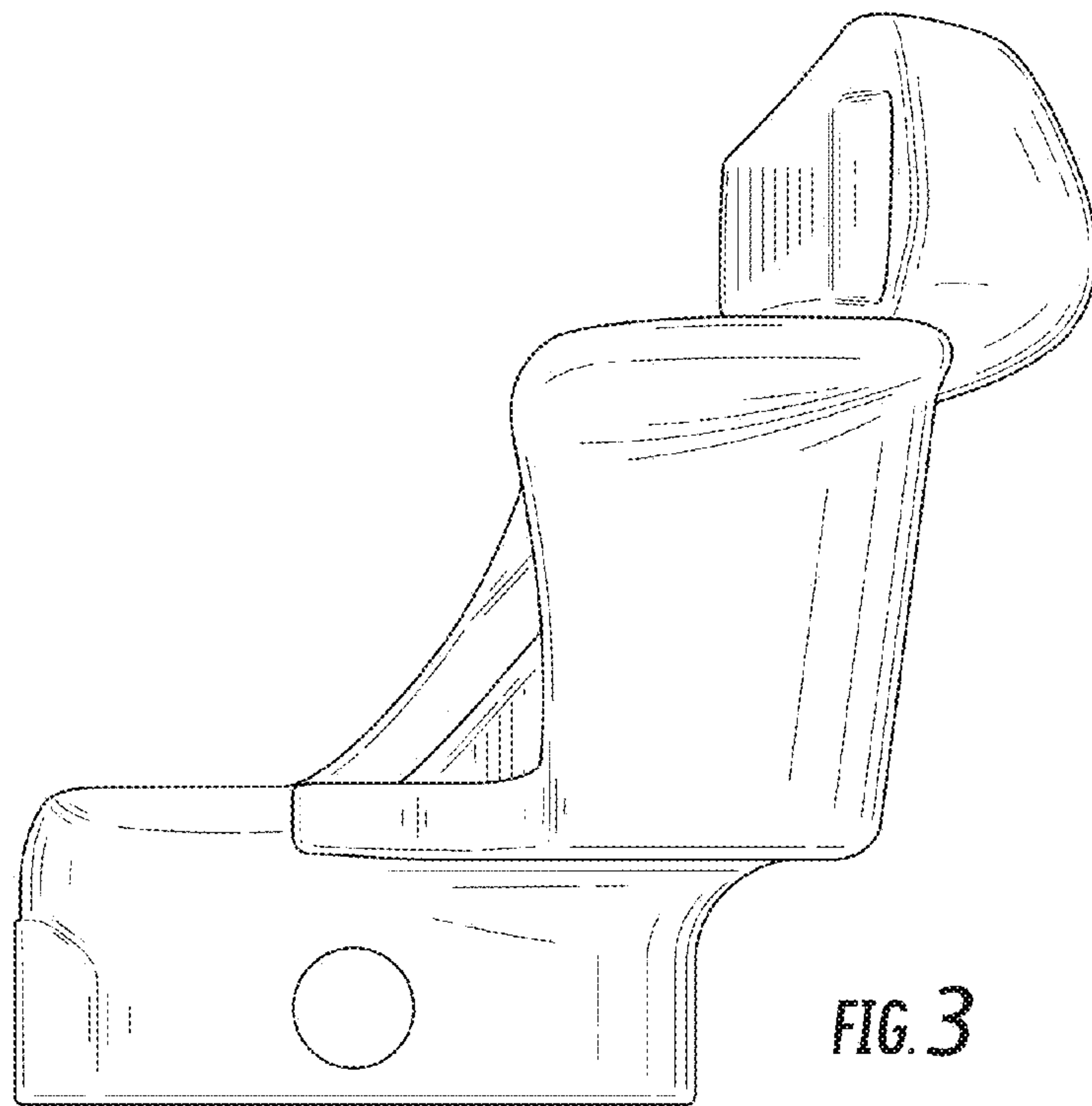
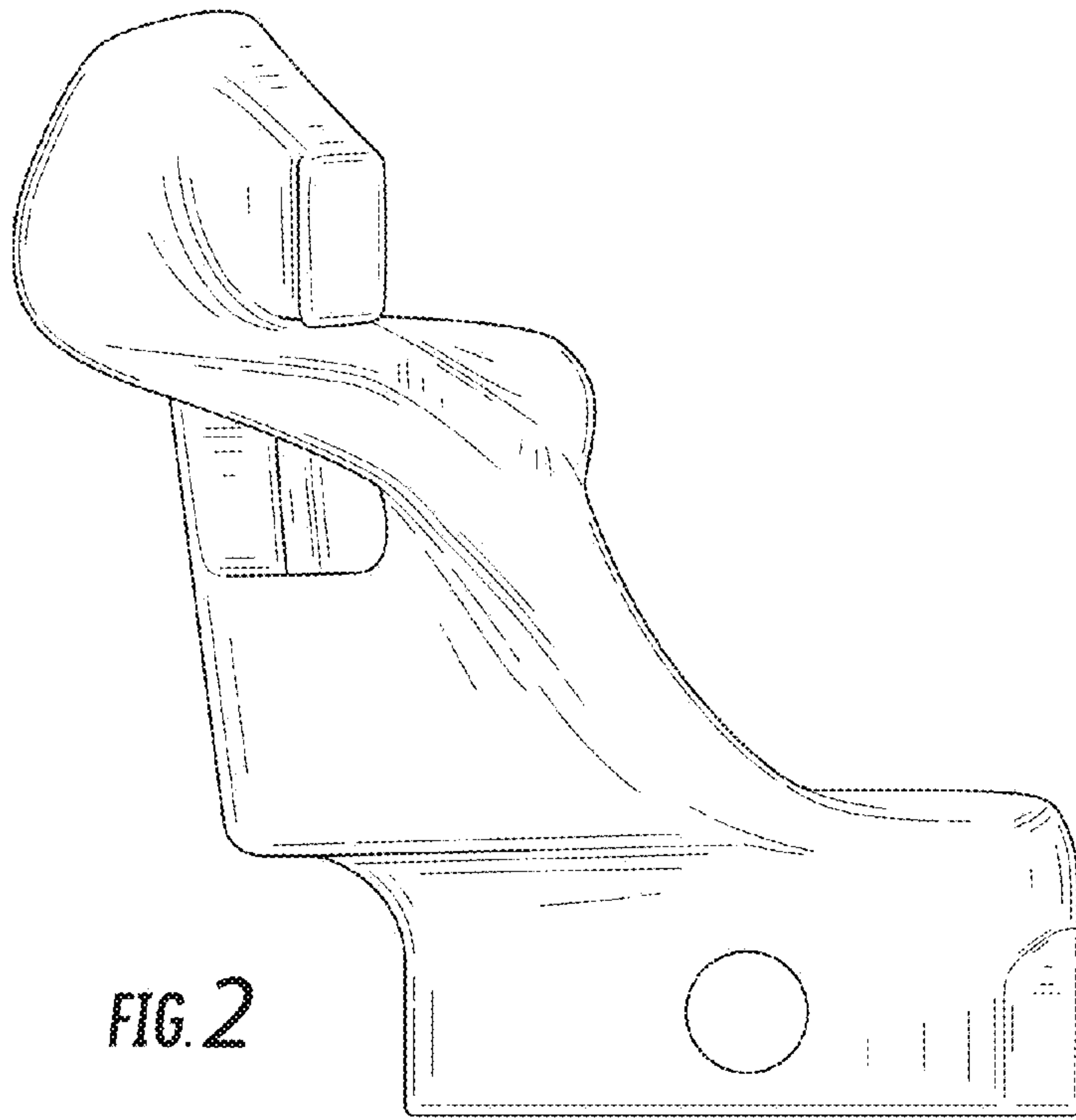


FIG. 1



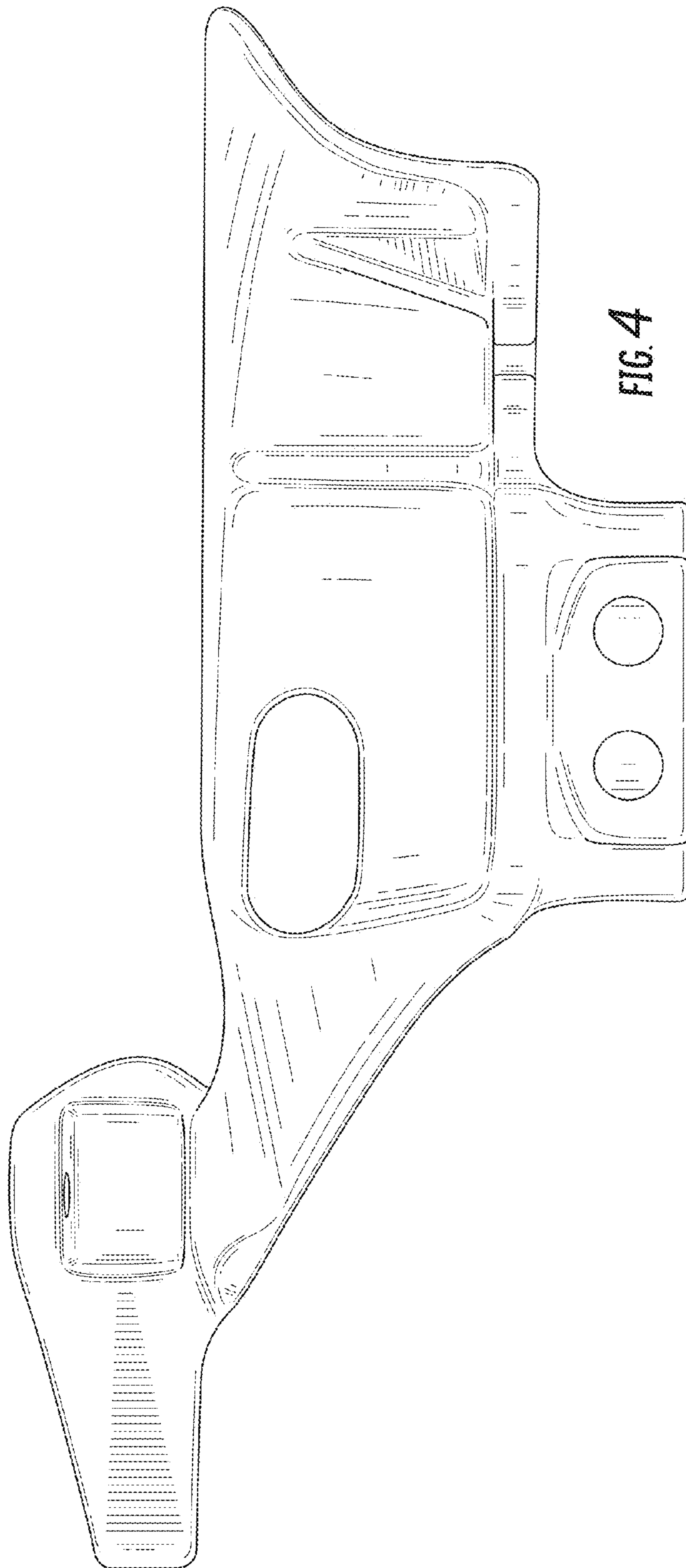


FIG. 4



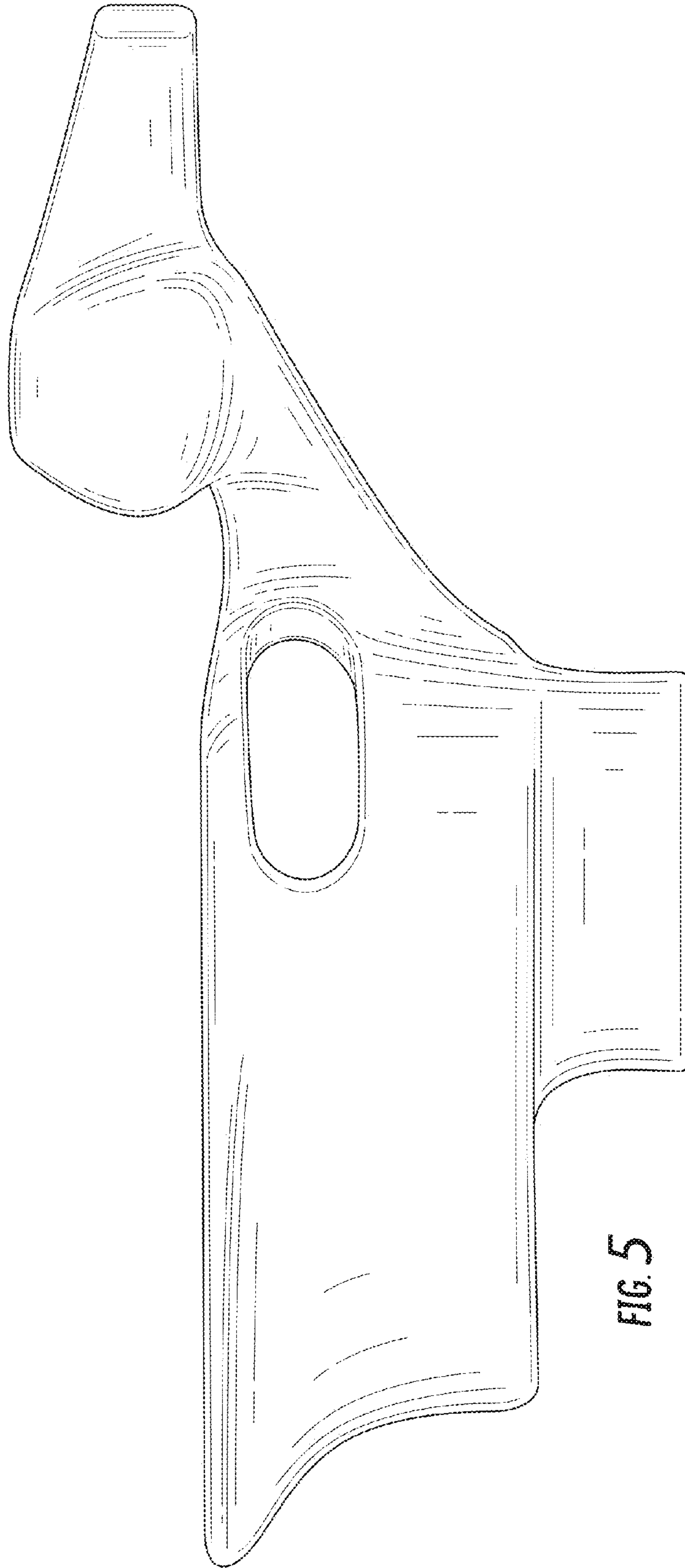
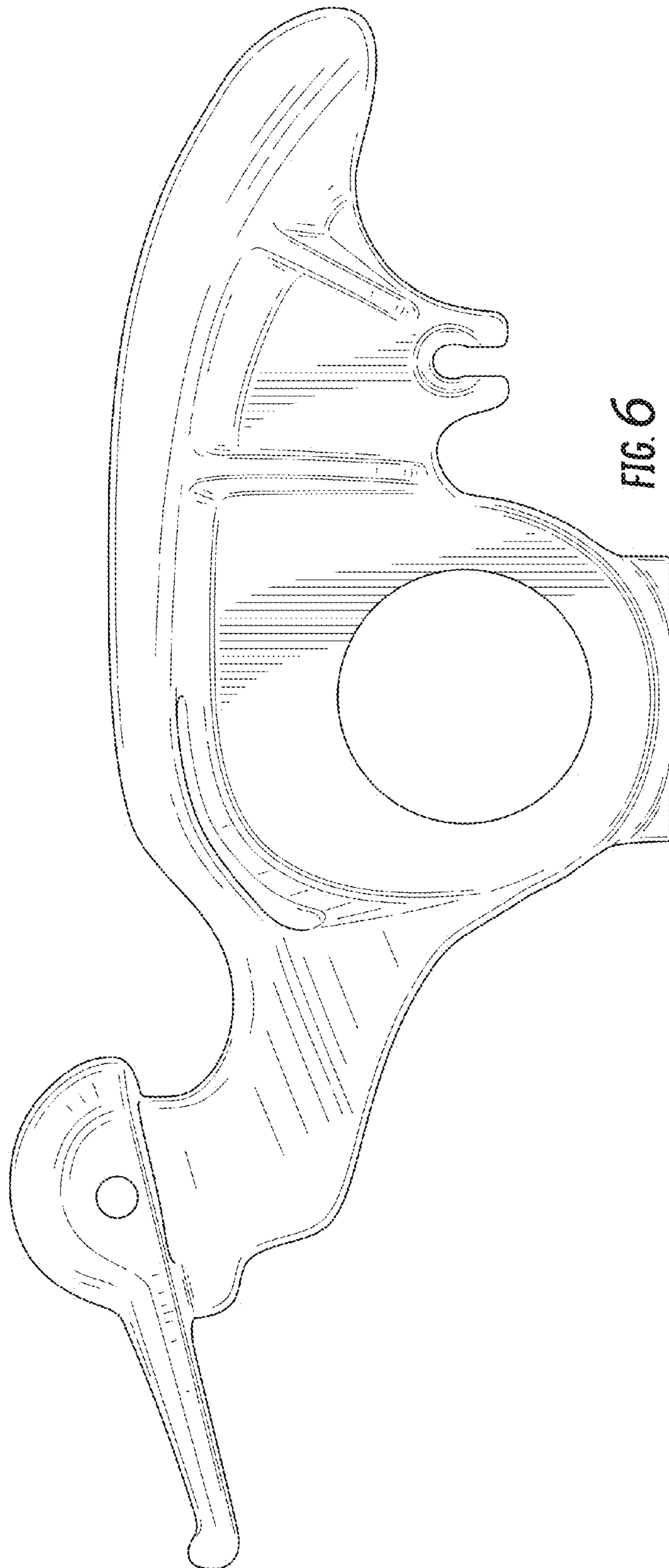


FIG. 5



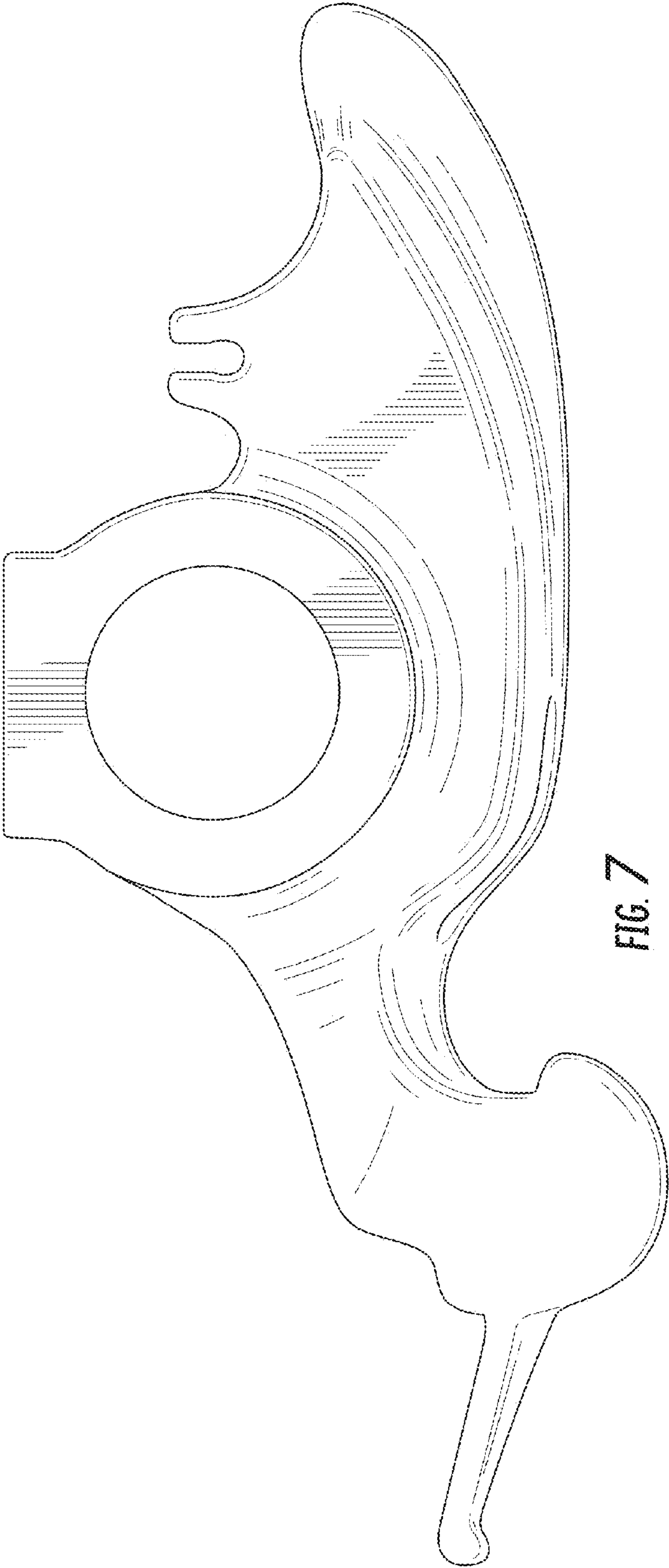


FIG. 7