

US00D766348S

(12) **United States Design Patent**  
**Long**

(10) **Patent No.:** **US D766,348 S**

(45) **Date of Patent:** **\*\* Sep. 13, 2016**

(54) **ROBOT**

(71) Applicant: **HON HAI PRECISION INDUSTRY CO., LTD.**, New Taipei (TW)

(72) Inventor: **Bo Long**, Shenzhen (CN)

(73) Assignee: **HON HAI PRECISION INDUSTRY CO., LTD.**, New Taipei (TW)

(\*\*) Term: **14 Years**

(21) Appl. No.: **29/507,082**

(22) Filed: **Oct. 23, 2014**

(51) **LOC (10) Cl.** ..... **15-99**

(52) **U.S. Cl.**  
USPC ..... **D15/199**

(58) **Field of Classification Search**  
USPC ..... D15/199; 74/490.01-490.06; D10/63;  
D24/158, 184, 128  
CPC ..... B25J 17/00; B25J 9/06; B25J 9/102;  
B25J 18/00; B25J 19/0029; B25J 19/0009;  
A61B 19/2203; A61B 19/5212; A61B 1/008;  
A61B 2019/2234; A61B 2019/2242; A61B  
2019/2223; A61B 2019/223; A61B  
2019/2238

See application file for complete search history.

(56) **References Cited**

U.S. PATENT DOCUMENTS

D615,574 S \* 5/2010 Liu ..... D15/199  
D629,030 S \* 12/2010 Long ..... D15/199  
D636,803 S \* 4/2011 Nakagiri ..... D15/199  
D638,455 S \* 5/2011 Long ..... D15/199  
D650,820 S \* 12/2011 Long ..... D15/199  
D670,319 S \* 11/2012 Liu ..... D15/199  
D677,294 S \* 3/2013 Long ..... D15/199

D681,708 S \* 5/2013 Miyake ..... D15/199  
D690,753 S \* 10/2013 Liu ..... D15/199  
2008/0260510 A1\* 10/2008 Iwai ..... B25J 19/0029  
414/787  
2008/0271561 A1\* 11/2008 Ohara ..... B23K 9/133  
74/490.01  
2011/0303042 A1\* 12/2011 Pan ..... B25J 9/0009  
74/490.05  
2013/0125694 A1\* 5/2013 Long ..... B25J 11/0075  
74/490.01  
2014/0224057 A1\* 8/2014 Tanaka ..... B25J 9/102  
74/490.05  
2015/0258681 A1\* 9/2015 Kinoshita ..... B25J 19/0004  
74/490.03

\* cited by examiner

*Primary Examiner* — Susan Bennett Hattan

*Assistant Examiner* — Brett Miller

(74) *Attorney, Agent, or Firm* — Zhigang Ma

(57) **CLAIM**

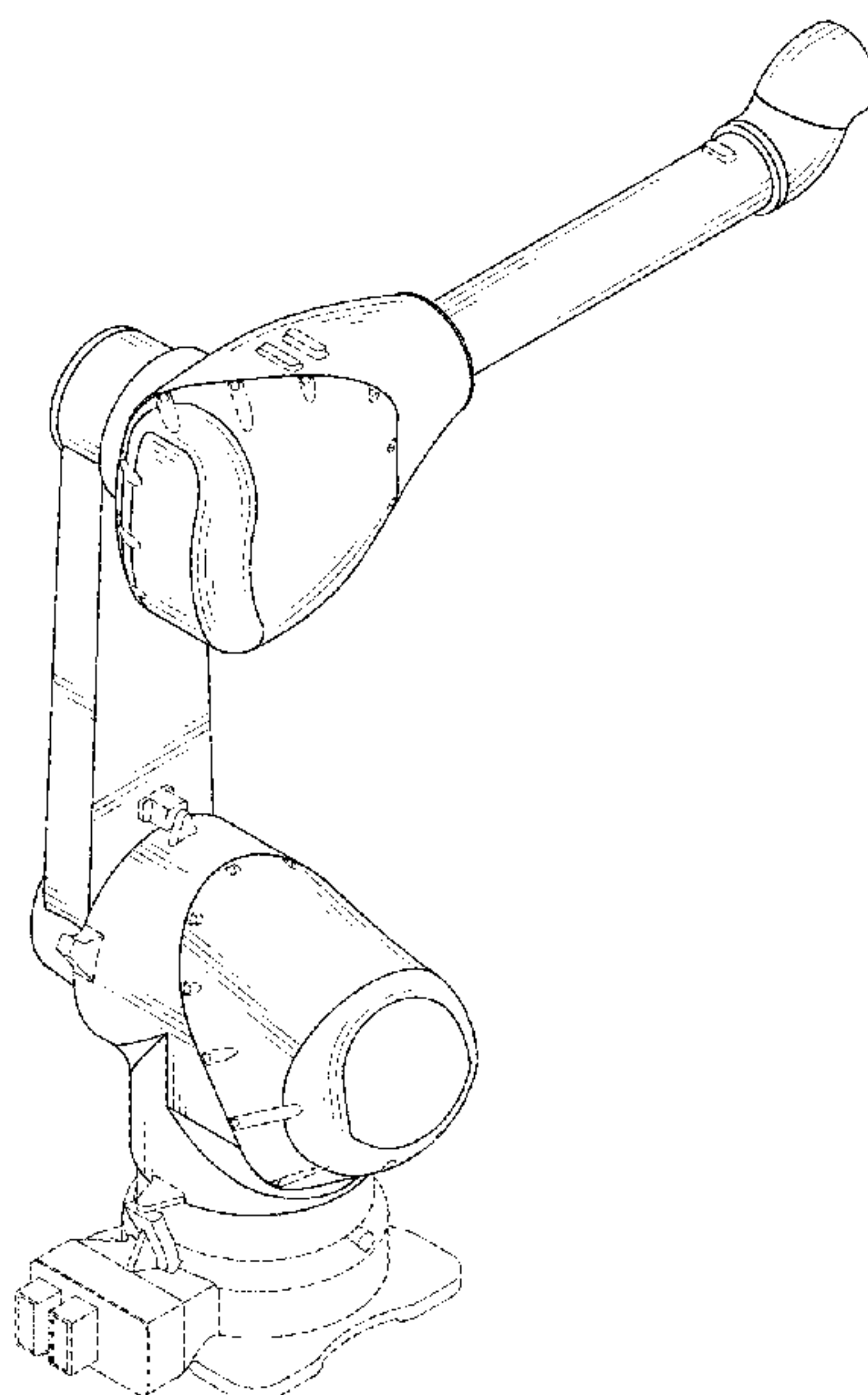
The ornamental design for a robot, as shown and described.

**DESCRIPTION**

FIG. 1 is a perspective view of a robot;  
FIG. 2 is a front elevational view thereof;  
FIG. 3 is a rear elevational view thereof;  
FIG. 4 is a right-side elevational view thereof;  
FIG. 5 is a left-side elevational view thereof;  
FIG. 6 is a top plan view thereof; and,  
FIG. 7 is a bottom plan view thereof.

The broken lines that are immediately adjacent to and contained within shaded areas and define unshaded regions, represent the bounds of the claimed design. The broken lines that are shown within the broken line boundaries and the broken lines outside of the claim are directed to environment. The broken lines form no part of the claimed design.

**1 Claim, 7 Drawing Sheets**



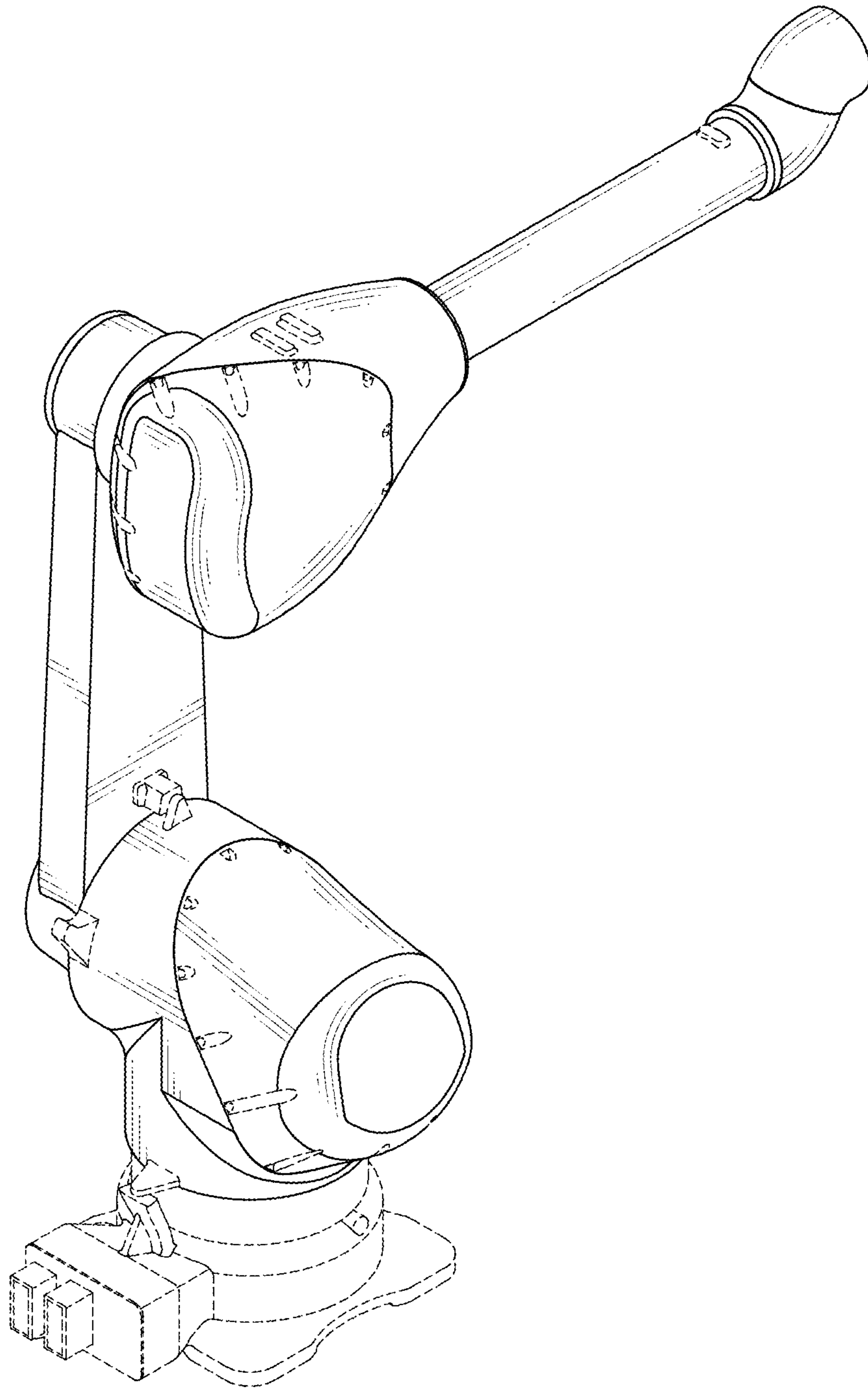


FIG. 1

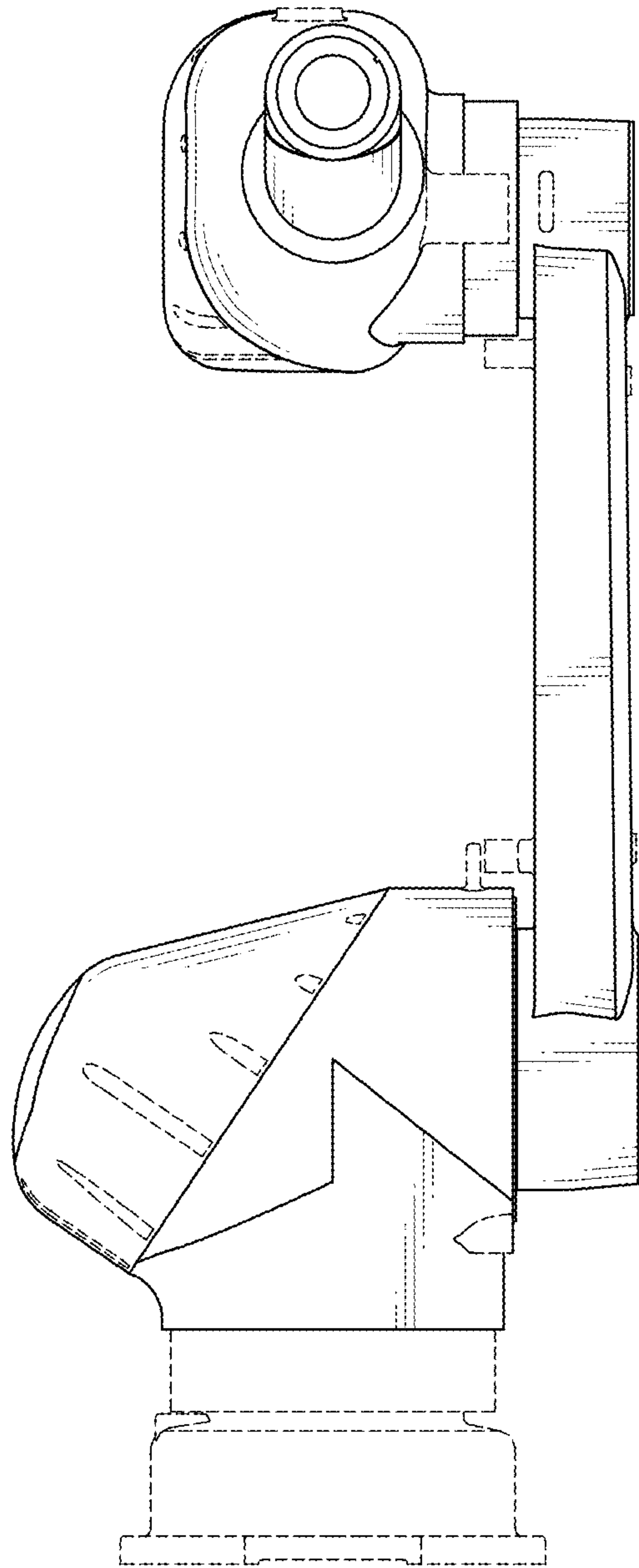


FIG. 2

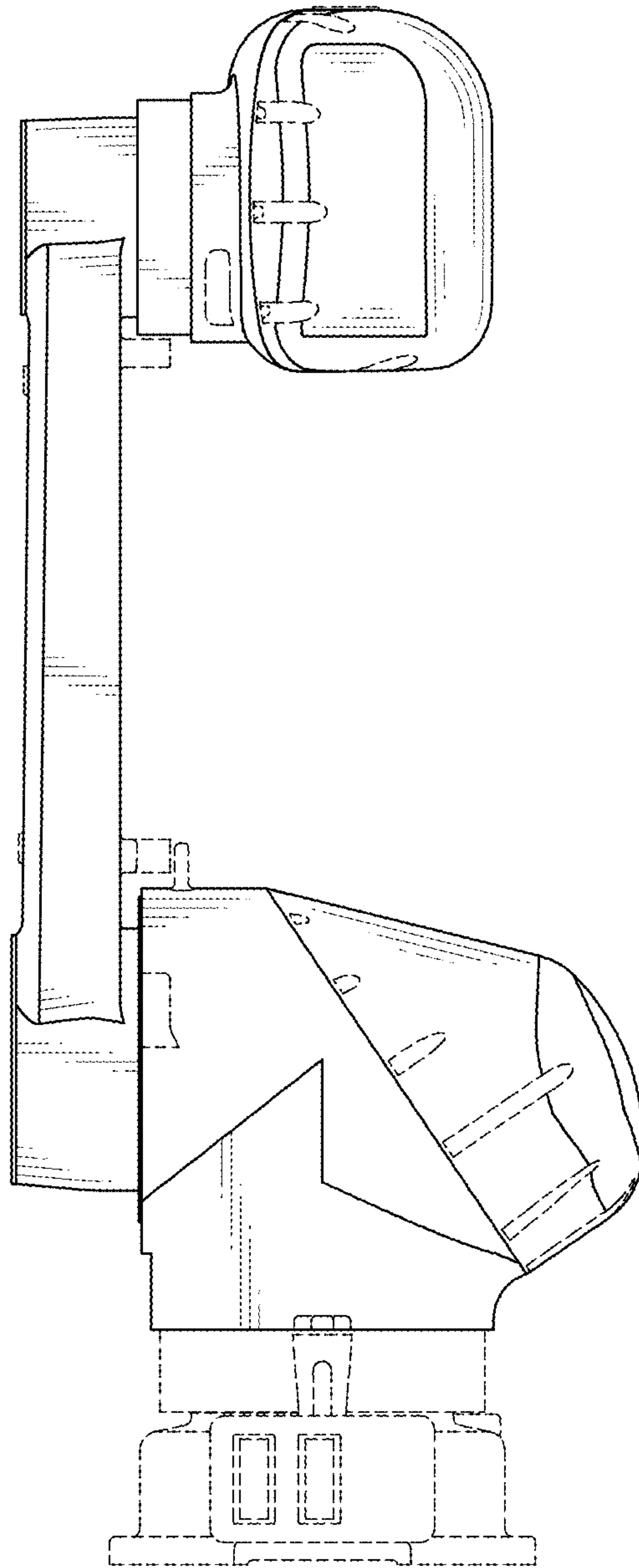


FIG. 3

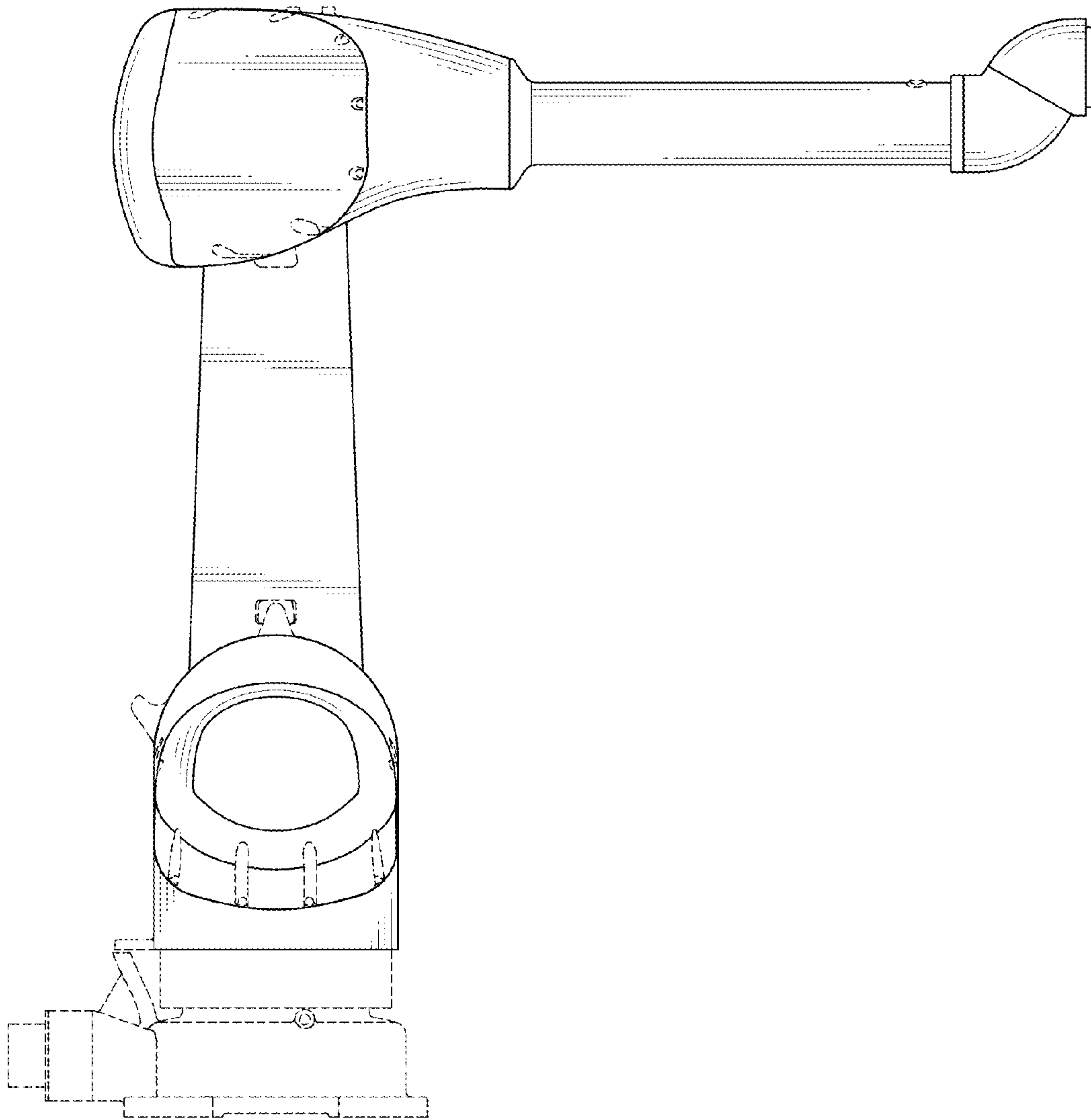


FIG. 4

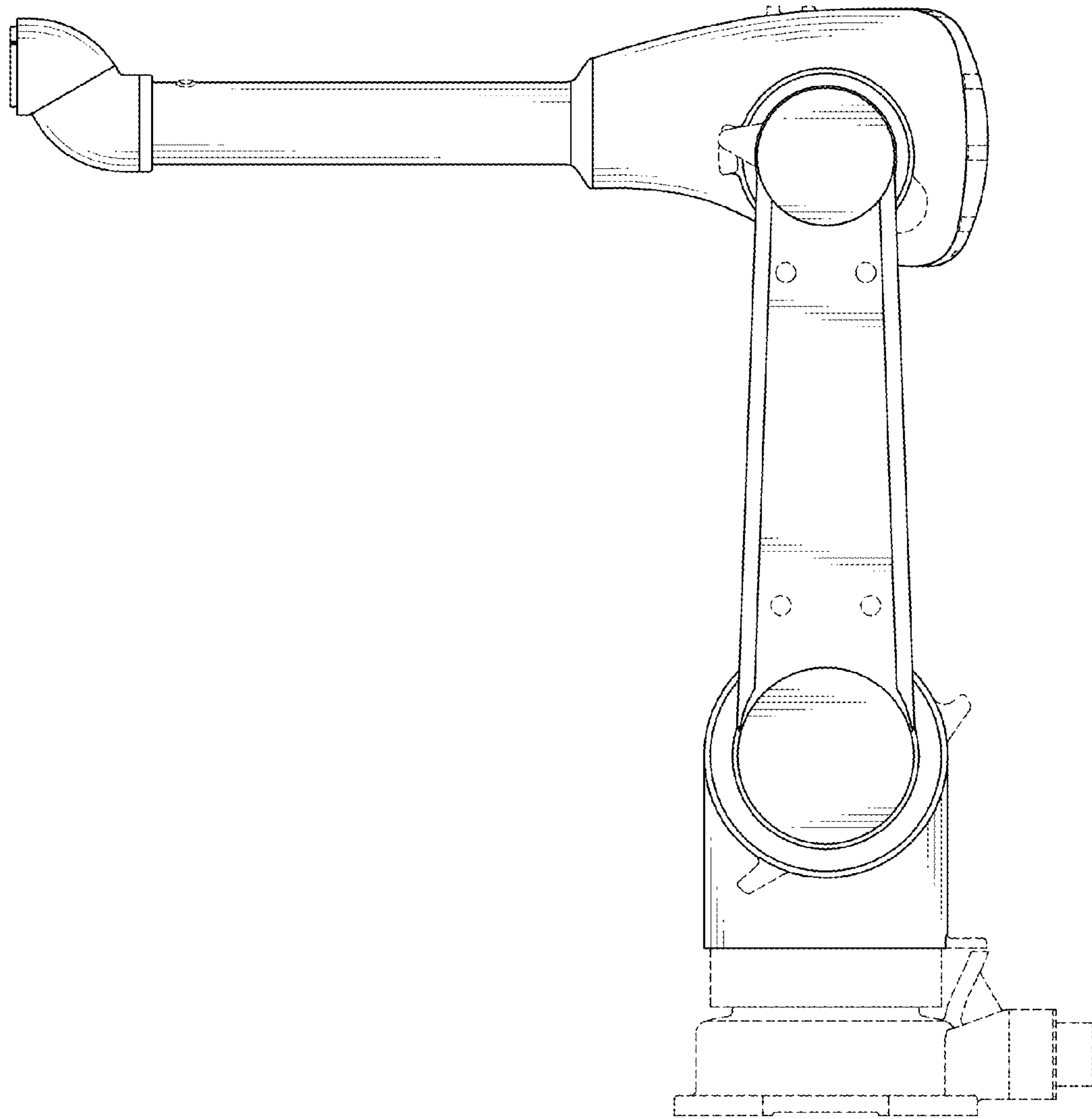


FIG. 5



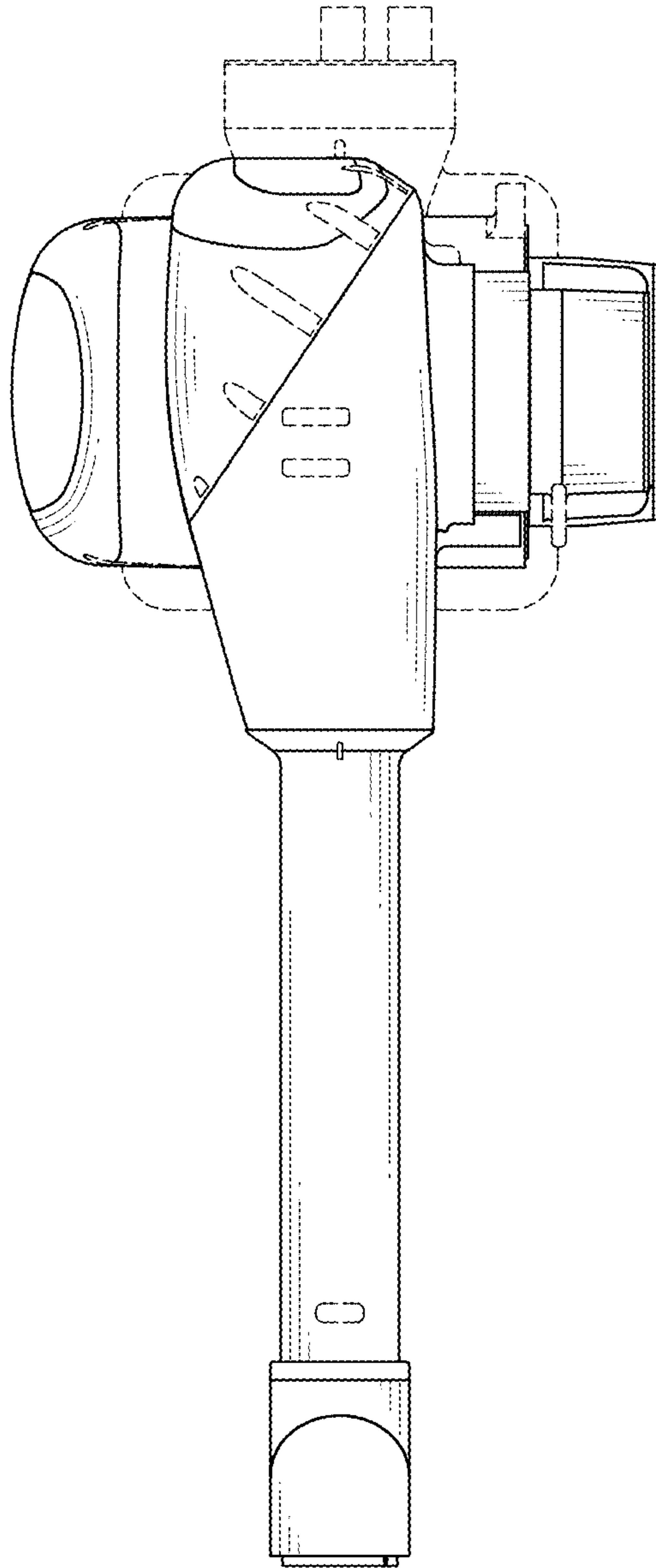


FIG. 6

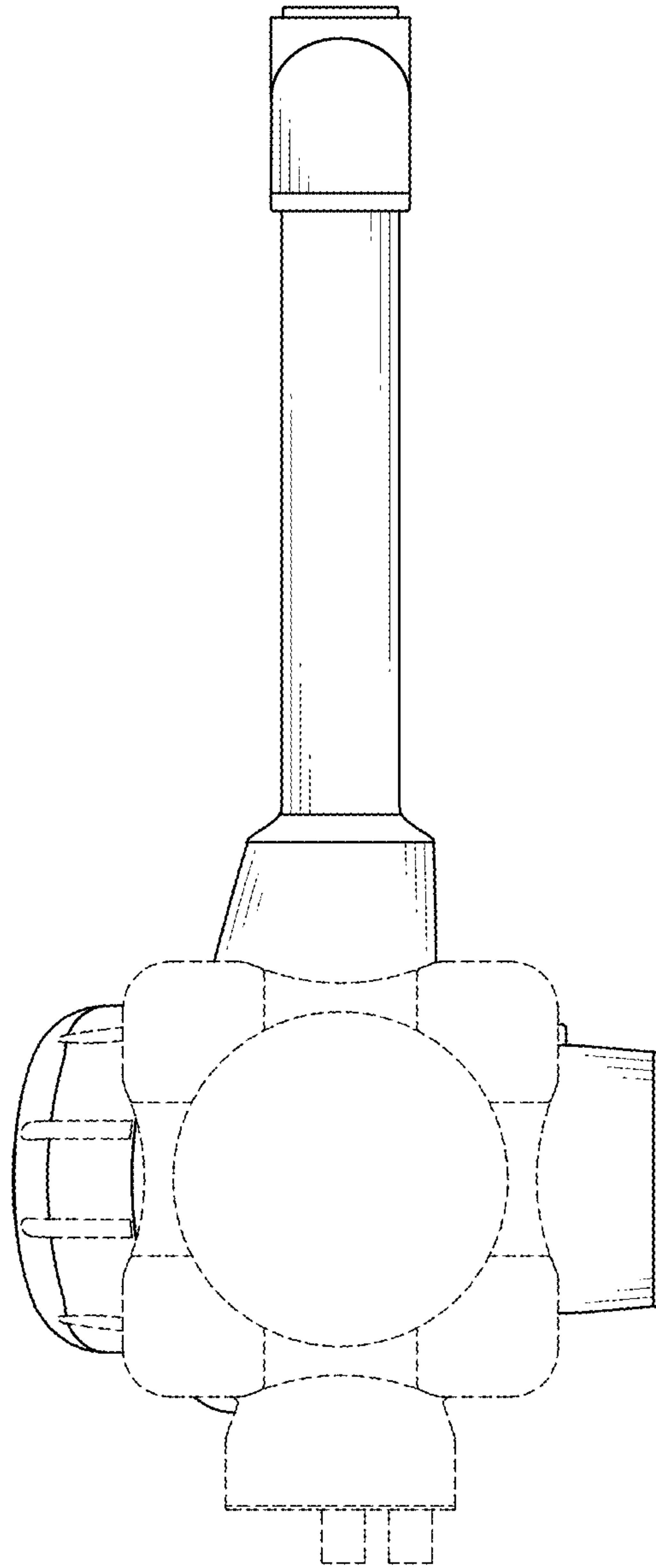


FIG. 7



UNITED STATES PATENT AND TRADEMARK OFFICE  
**CERTIFICATE OF CORRECTION**

PATENT NO. : D766,348 S  
APPLICATION NO. : 29/507082  
DATED : September 13, 2016  
INVENTOR(S) : Bo Long

Page 1 of 1

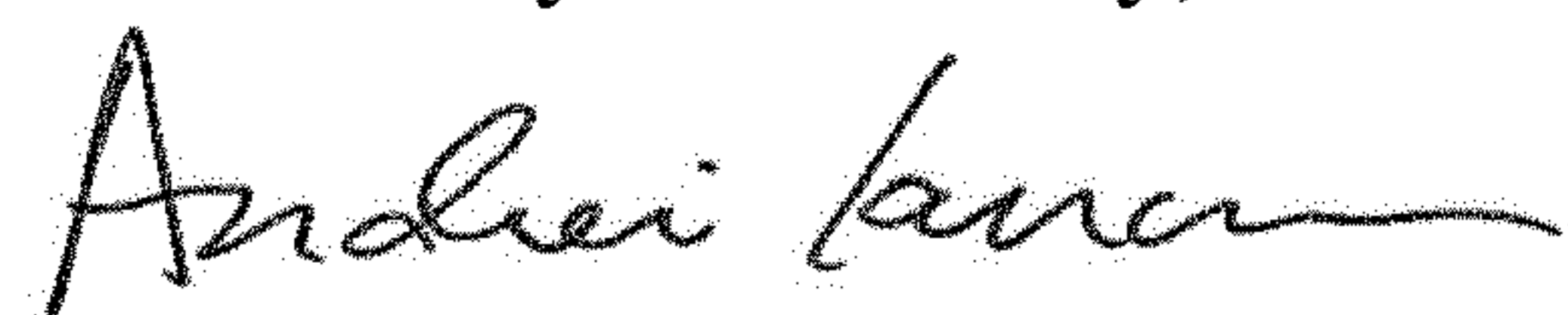
It is certified that error appears in the above-identified patent and that said Letters Patent is hereby corrected as shown below:

On the Title Page

Please add Item (30) regarding "Foreign Application Priority Data" with the following:

(30) Foreign Application Priority Data  
August 29, 2014 (CN).....201430316418.4

Signed and Sealed this  
Fifth Day of February, 2019



Andrei Iancu  
*Director of the United States Patent and Trademark Office*