



US00D766347S

(12) **United States Design Patent**
Sudhakar

(10) **Patent No.:** **US D766,347 S**
(45) **Date of Patent:** **** Sep. 13, 2016**

- (54) **NAPKIN ROLLER MACHINE**
- (71) Applicant: **Chandra Maurya PTE Ltd.**, High Street Center (SG)
- (72) Inventor: **Ashok EM Sudhakar**, Las Vegas, NV (US)
- (73) Assignee: **Chandra Maurya PTE Ltd**, High Street Center (SG)
- (**) Term: **14 Years**
- (21) Appl. No.: **29/489,330**
- (22) Filed: **Apr. 29, 2014**
- (51) **LOC (10) Cl.** **15-99**
- (52) **U.S. Cl.**
USPC **D15/199**
- (58) **Field of Classification Search**
USPC D15/122, 199
See application file for complete search history.

- 5,419,099 A * 5/1995 Mueller B65B 57/04
141/160
- D377,496 S * 1/1997 Poole D15/145
- 6,258,017 B1 * 7/2001 Singh B65H 45/16
493/424
- 6,457,605 B2 * 10/2002 Coleman A47K 10/421
221/213
- 6,487,949 B1 * 12/2002 Dharia B26D 3/003
83/152
- 6,719,680 B2 * 4/2004 Hosoya B65H 45/142
493/324
- 7,008,364 B2 * 3/2006 Ochsenbauer B31F 1/0019
270/42
- 7,234,610 B2 * 6/2007 Skarda B65H 3/0615
221/231
- 7,303,523 B2 * 12/2007 Andolfi B31F 1/0009
271/107
- D601,597 S * 10/2009 Barbieri B05C 1/08
D15/122

(Continued)

Primary Examiner — Patricia Palasik
(74) *Attorney, Agent, or Firm* — Price Heneveld LLP

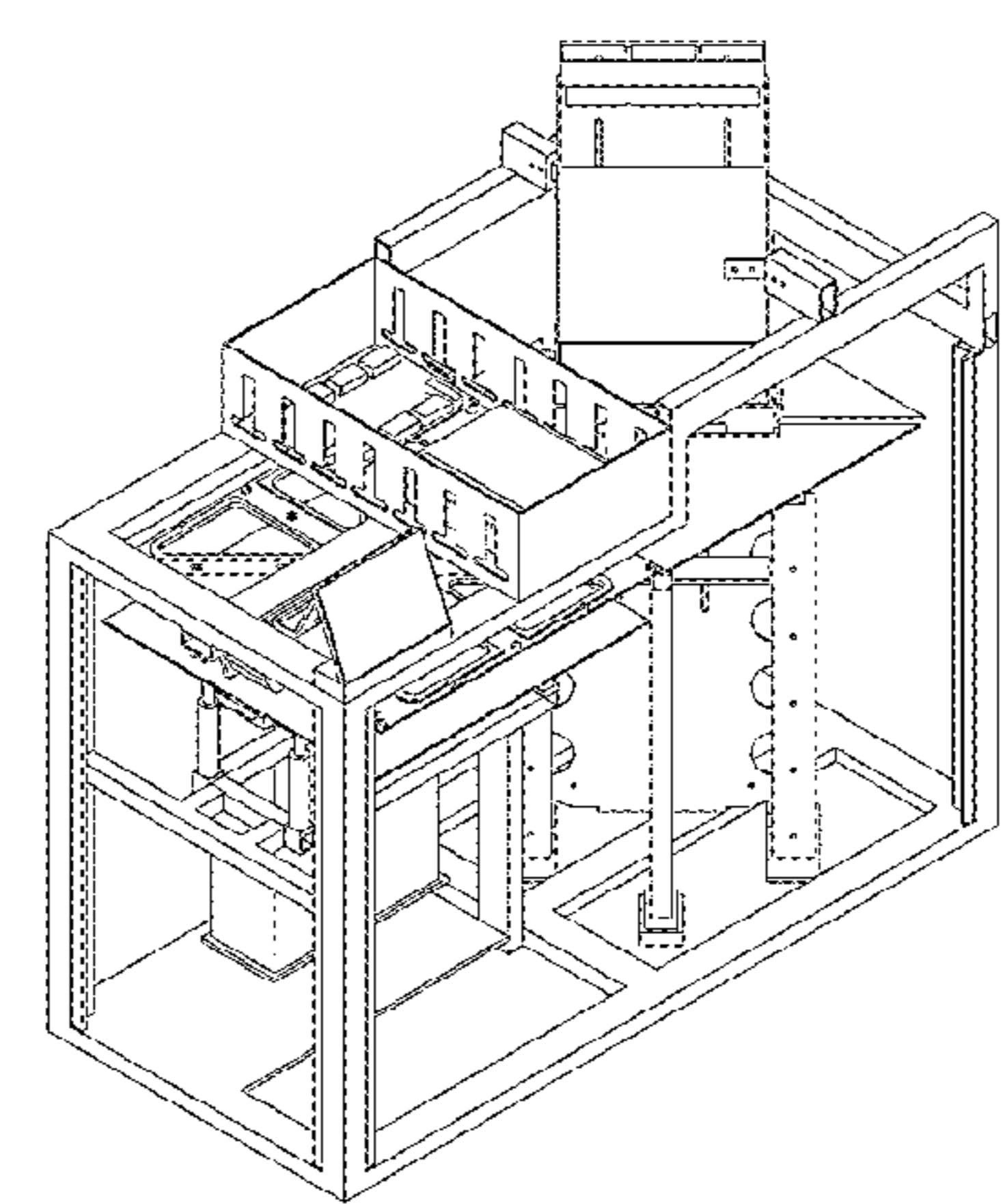
(57) **CLAIM**
I claim the ornamental design for a napkin roller machine, as shown and described.

- (56) **References Cited**
U.S. PATENT DOCUMENTS
- D166,166 S * 3/1952 Knapp D15/145
- 3,221,619 A * 12/1965 Erickson B28D 1/181
15/236.1
- 3,758,900 A * 9/1973 Morton B21H 9/02
470/179
- 3,822,485 A * 7/1974 Bates D06C 7/00
165/89
- 4,398,576 A * 8/1983 Vredenburg, Sr. B65B 1/18
141/114
- 4,809,575 A * 3/1989 Swanson A21C 9/08
198/431
- D301,890 S * 6/1989 Silbersky D15/145
- 4,969,862 A * 11/1990 Ehlscheid B31D 1/04
493/357
- 5,112,208 A * 5/1992 Voth A21C 3/02
264/175
- D342,530 S * 12/1993 Lissoni D15/145
- 5,323,630 A * 6/1994 Wenzel B21D 22/16
72/83
- 5,338,282 A * 8/1994 Ferrone B26D 7/1863
493/342

DESCRIPTION

FIG. 1 is a front view of a napkin roller machine embodying the present invention;
FIG. 2 is a rear view of the napkin roller machine;
FIG. 3 is a left side view of the napkin roller machine
FIG. 4 is a right side view of the napkin roller machine;
FIG. 5 is a top view of the napkin roller machine;
FIG. 6 is a first perspective view of the napkin roller machine;
FIG. 7 is a second perspective view of the napkin roller machine;
FIG. 8 is a third perspective view of the napkin roller machine; and,
FIG. 9 is a fourth perspective view of the napkin roller machine.

1 Claim, 9 Drawing Sheets



(56)

References Cited

U.S. PATENT DOCUMENTS

D609,724 S *	2/2010	Haraldsson	D15/122	8,662,487 B2 *	3/2014	Watanabe	B65H 45/18 270/32
8,027,630 B2 *	9/2011	Fujii	B65H 45/28 399/403	9,039,498 B2 *	5/2015	Schwarz	A22C 25/08 452/127
8,028,609 B2 *	10/2011	Katsuyama	B21D 43/13 198/346.2	9,079,744 B2 *	7/2015	Watanabe	B65H 7/10
8,529,423 B2 *	9/2013	Imazu	B65H 45/142 270/32	9,132,962 B2 *	9/2015	Cicalini	B65G 17/42
					2006/0218881 A1 *	10/2006	Sperry	B65B 9/02 53/411

* cited by examiner

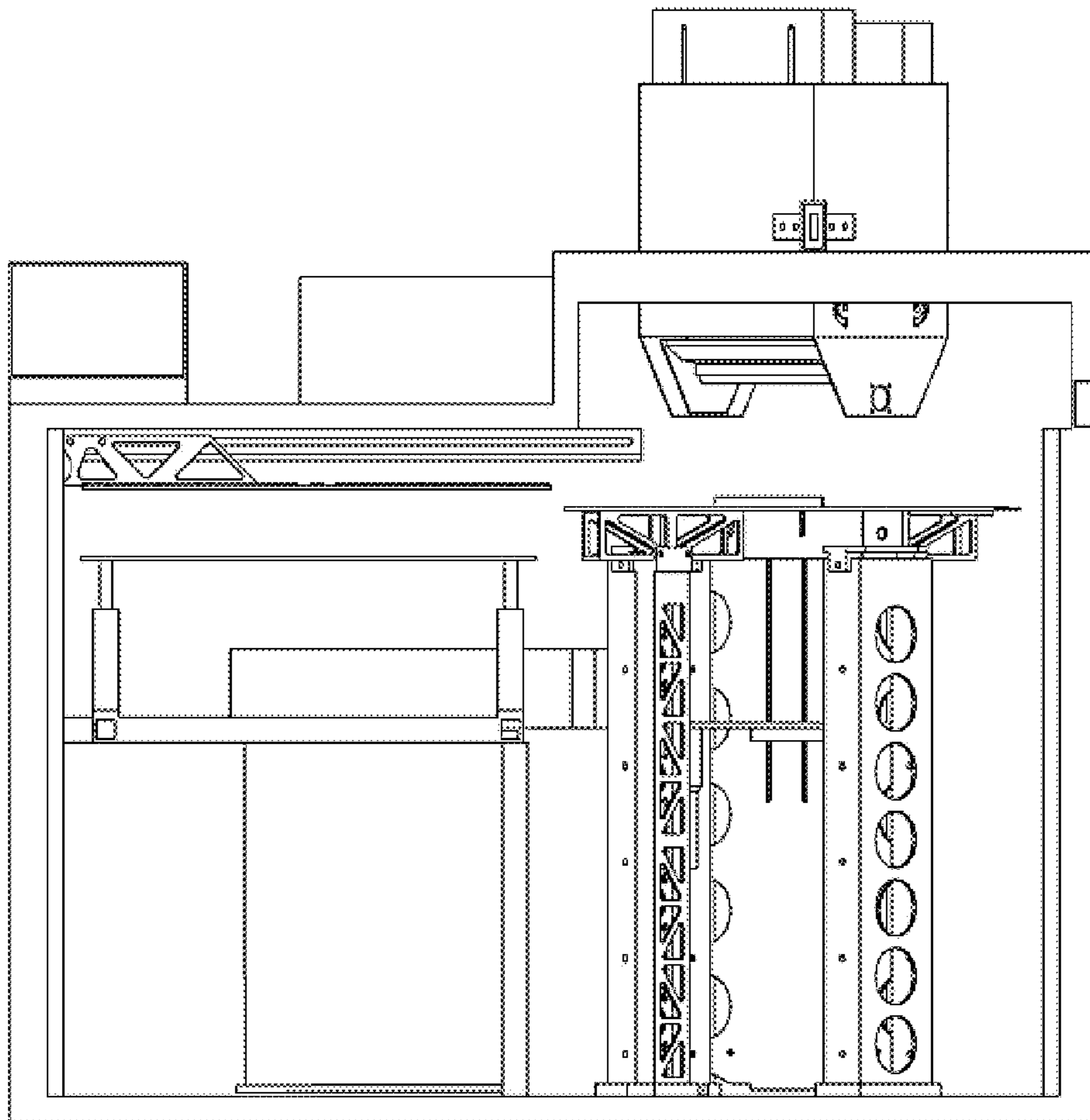


FIG. 1

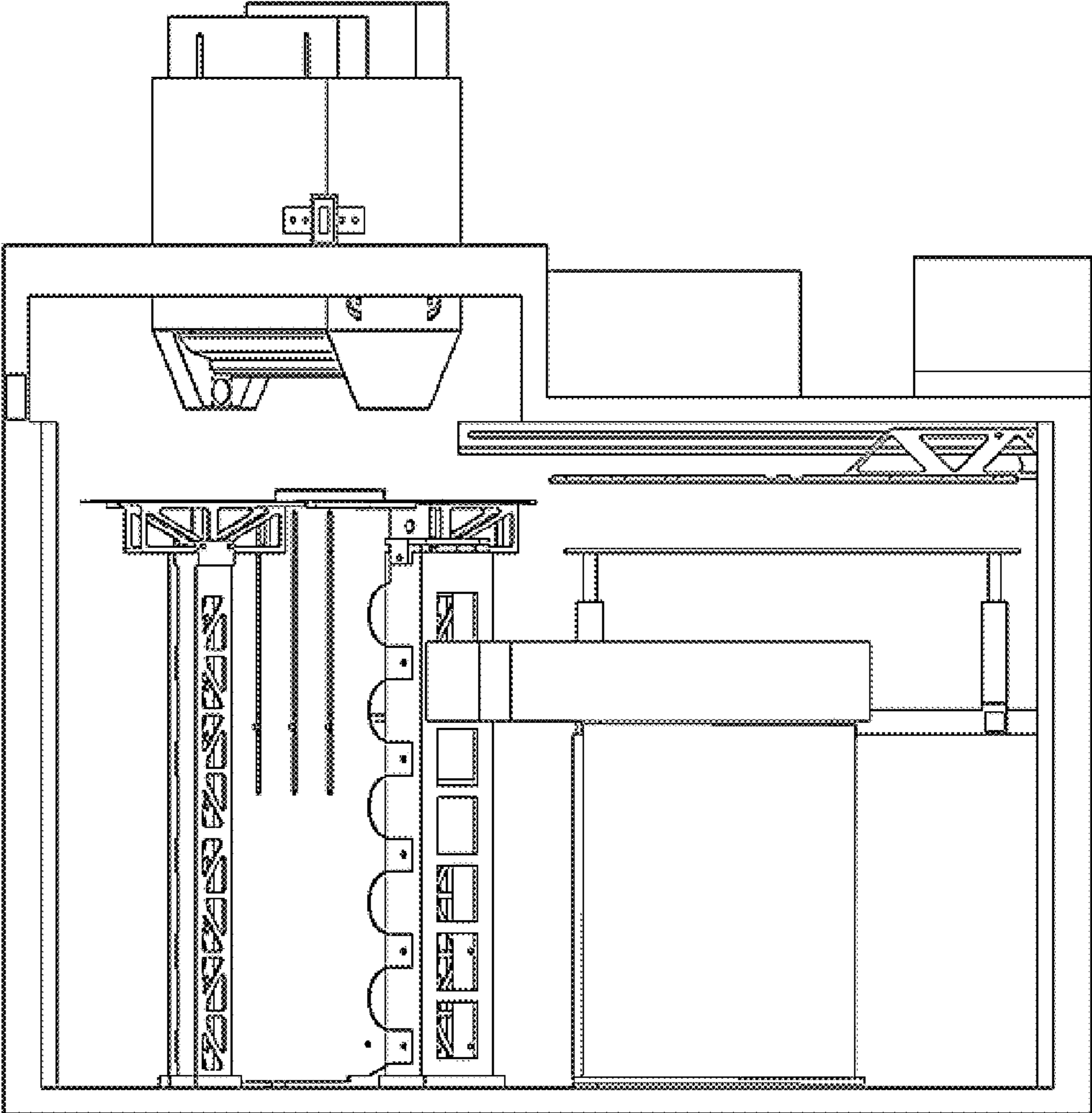


FIG. 2

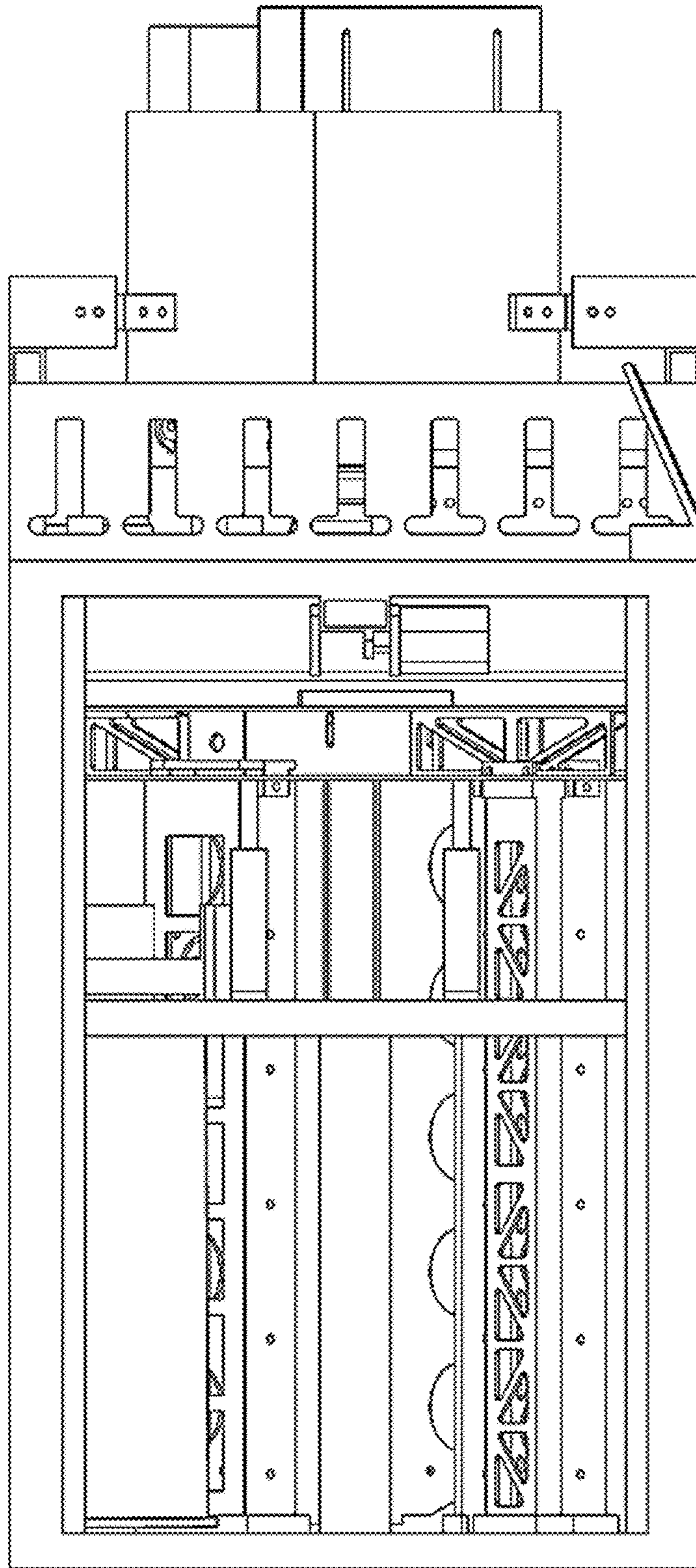


FIG. 3

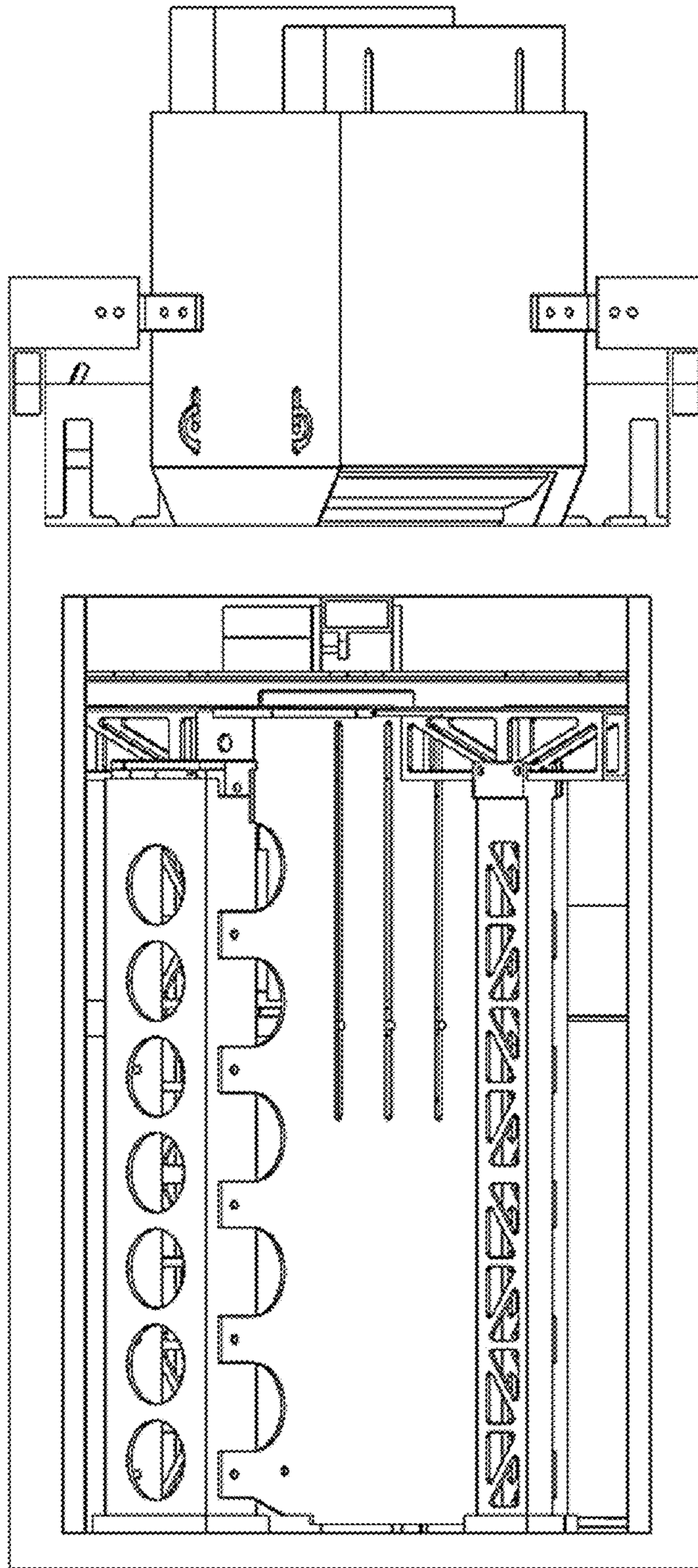


FIG. 4

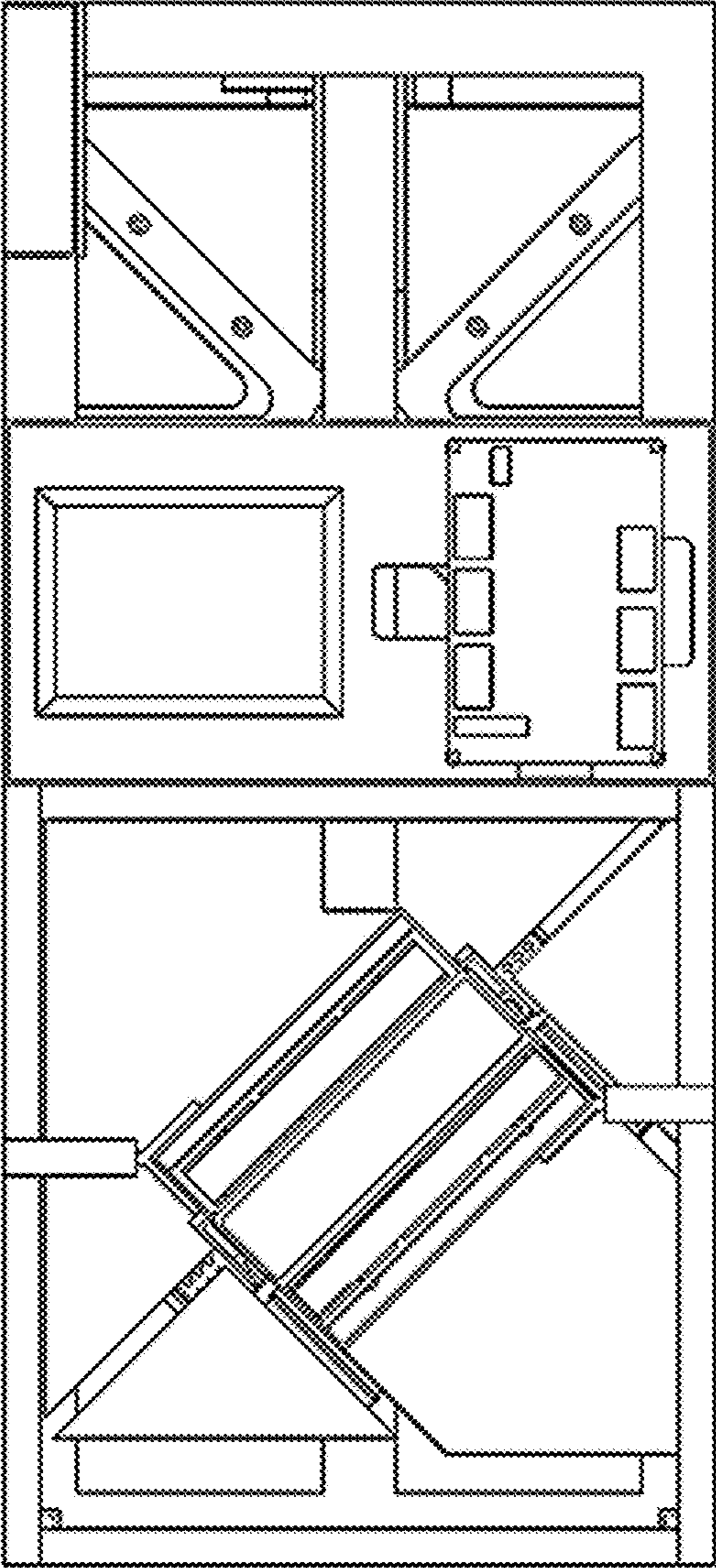


FIG. 5

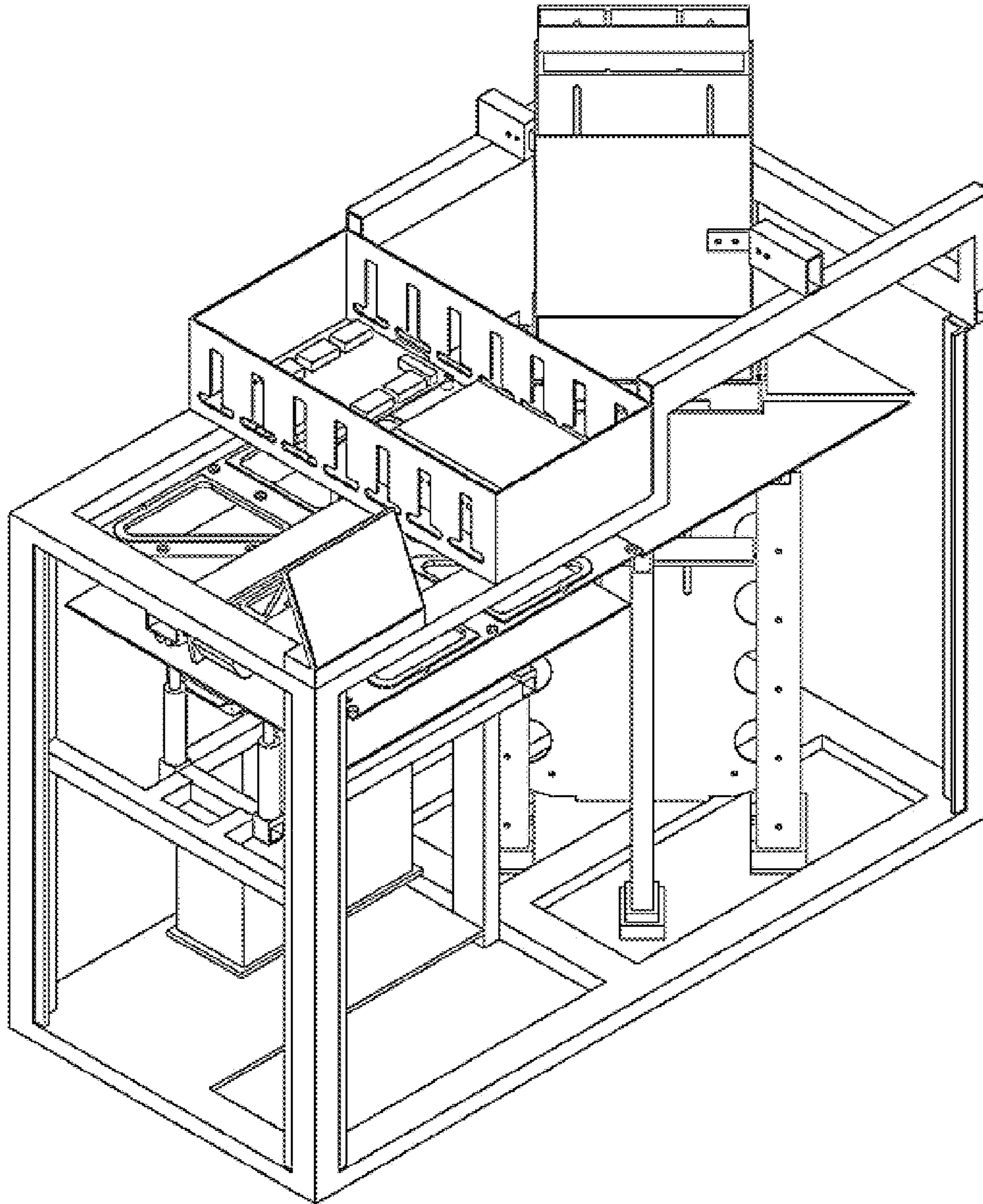


FIG. 6

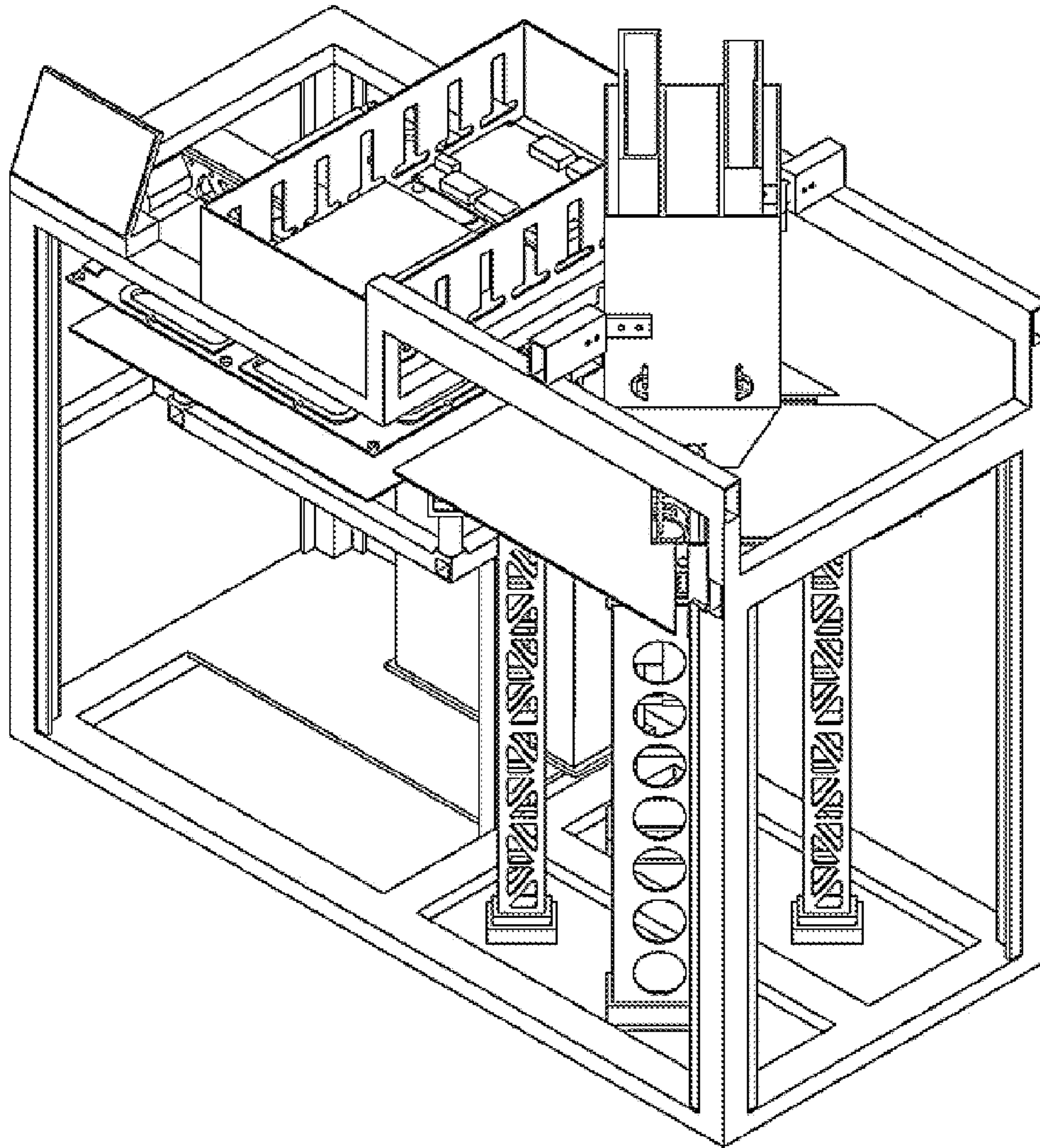


FIG. 7

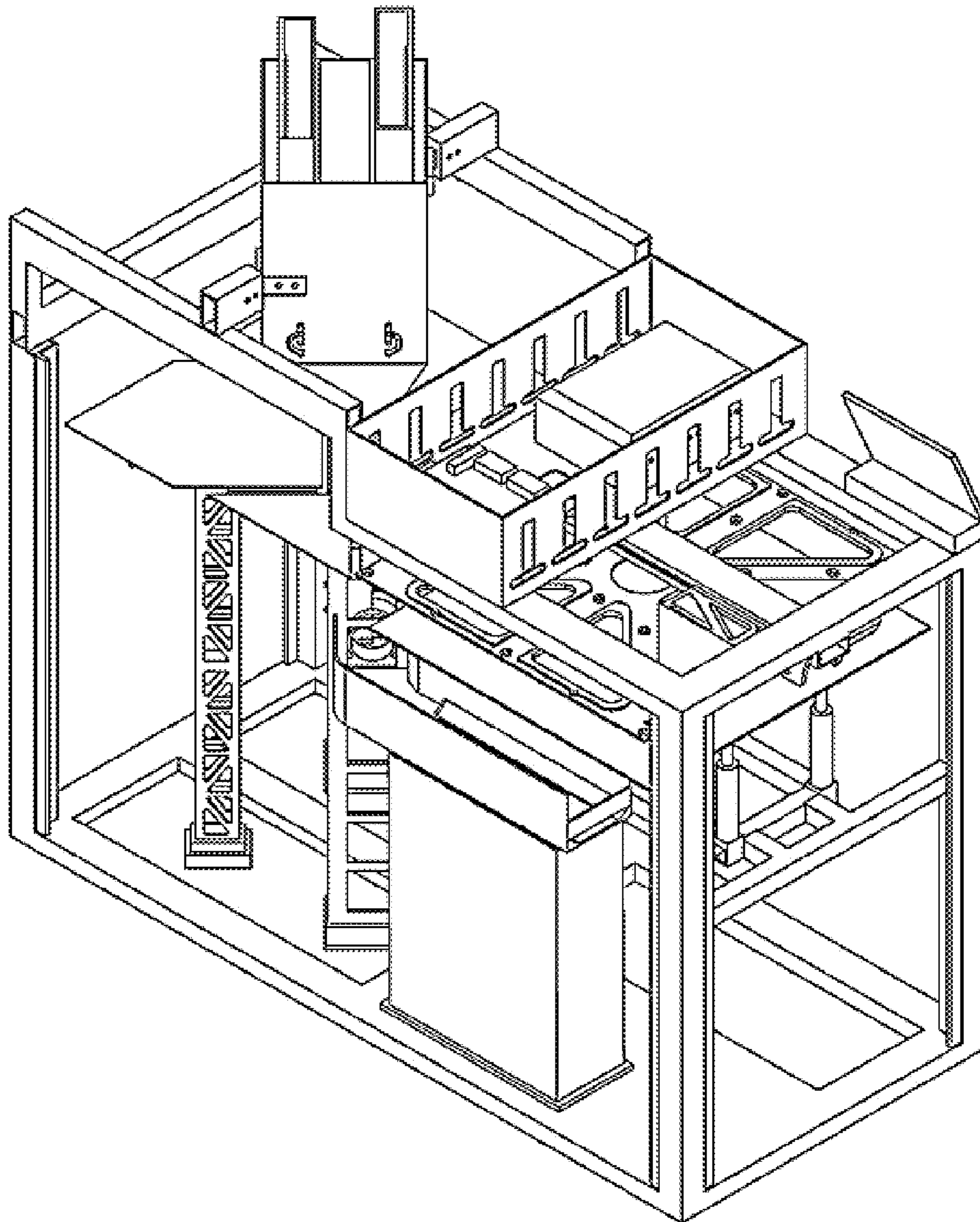


FIG. 8

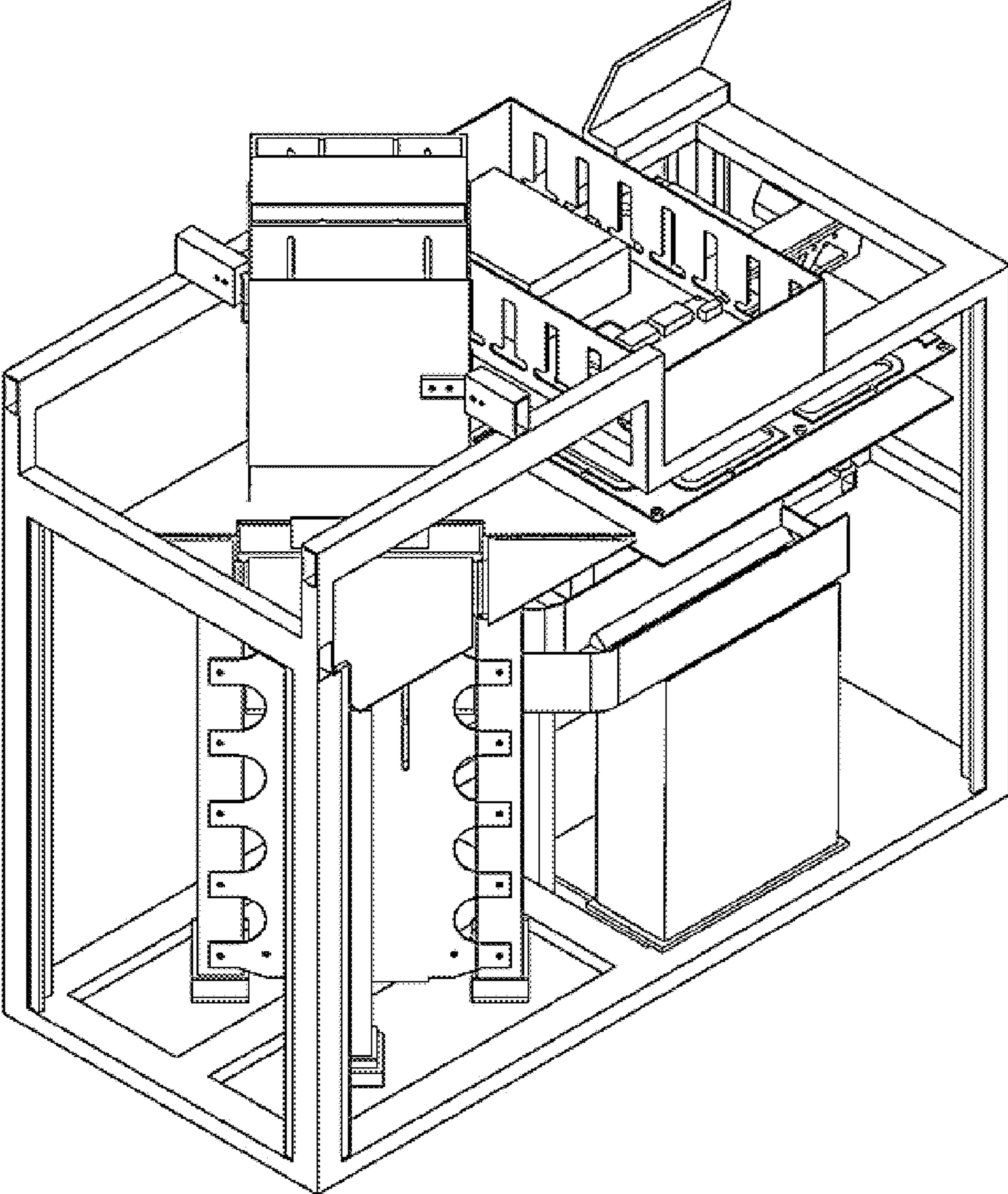


FIG. 9