

US00D766346S

(12) **United States Design Patent** (10) **Patent No.:** **US D766,346 S**
Aldrich (45) **Date of Patent:** **** *Sep. 13, 2016**

- (54) **RECIRCULATING BEARING**
- (71) Applicant: **Ergotron, Inc.**, St. Paul, MN (US)
- (72) Inventor: **Stuart R. Aldrich**, Portland, OR (US)
- (73) Assignee: **Ergotron, Inc.**, St. Paul, MN (US)
- (*) Notice: This patent is subject to a terminal disclaimer.
- (**) Term: **14 Years**
- (21) Appl. No.: **29/473,345**
- (22) Filed: **Nov. 21, 2013**
- (51) **LOC (10) Cl.** **15-09**
- (52) **U.S. Cl.**
USPC **D15/143**
- (58) **Field of Classification Search**
USPC D15/143
See application file for complete search history.

4,730,944 A 3/1988 Fiák et al.
 4,730,945 A 3/1988 Luther et al.
 4,765,754 A * 8/1988 Slocum 384/44

(Continued)

FOREIGN PATENT DOCUMENTS

GB 2114251 8/1983

Primary Examiner — Patricia Palasik

(74) *Attorney, Agent, or Firm* — Schwegman Lundberg & Woessner, P.A.

(57) **CLAIM**

I claim the ornamental design for a recirculating bearing, as shown and described.

DESCRIPTION

FIG. 1 is a bottom view of a recirculating bearing.
 FIG. 2 is a front view of the recirculating bearing of FIG. 1.
 FIG. 3 is a rear view of the recirculating bearing of FIG. 1.
 FIG. 4 is a right side view of the recirculating bearing of FIG. 1; and,
 FIG. 5 is a bottom perspective view of the recirculating bearing of FIG. 1.

A left side view of the recirculating bearing of FIG. 1 is omitted as the shape and appearance of that view would be apparent from FIGS. 1-5. A top view of the recirculating bearing of FIG. 1 is omitted as no features of the claimed design are visible in that view.

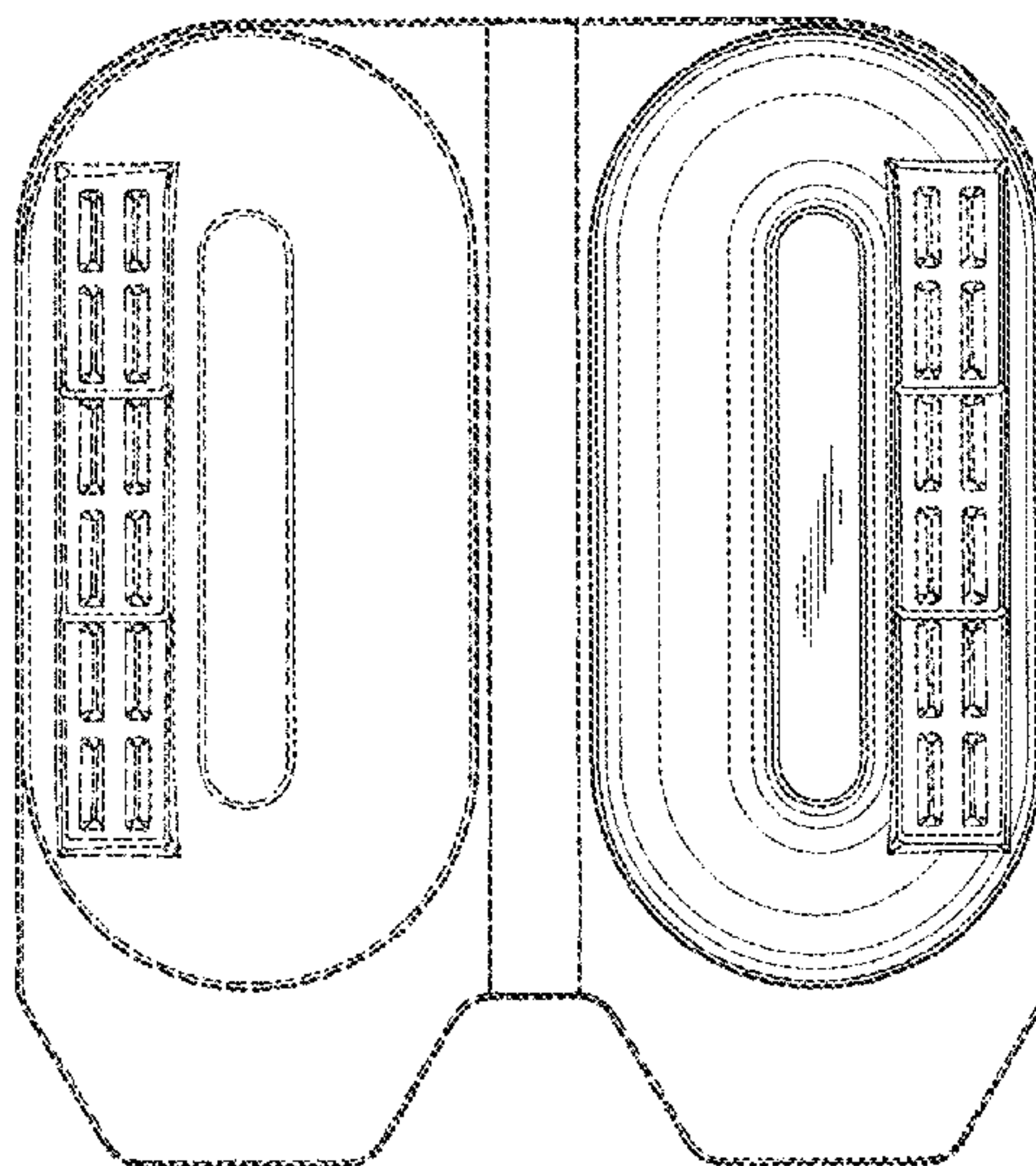
In FIG. 5, broken lines showing an adjustment base and screw are illustrative of the environment of use and form no part of the claimed design. In FIGS. 1, 3, and 5, broken lines showing surface reliefs in the ramps are for illustrative purposes only and form no part of the claimed design. In FIGS. 2-5, broken lines showing recirculating bearing elements are for illustrative purposes only and form no part of the claimed design. In FIGS. 1-5, broken lines showing a frame for a recirculating bearing and a second recirculating bearing element raceway are illustrative of an environment of use and form no part of the claimed design.

1 Claim, 2 Drawing Sheets

(56) **References Cited**

U.S. PATENT DOCUMENTS

- 3,003,828 A * 10/1961 Stark 384/44
- 3,241,890 A * 3/1966 Stallman 384/44
- 3,341,262 A * 9/1967 Kalmanek 384/44
- 3,564,970 A 2/1971 Larsen
- 3,655,247 A * 4/1972 Grover 384/44
- 3,937,532 A * 2/1976 Fuhrmann et al. 384/44
- 4,183,591 A * 1/1980 Mayer 384/473
- 4,231,621 A 11/1980 Teramachi
- 4,278,306 A 7/1981 Douglas et al.
- 4,432,587 A * 2/1984 Bryan 384/45
- 4,496,195 A * 1/1985 Kwon et al. 384/44
- 4,544,211 A * 10/1985 Kwon et al. 384/44
- 4,557,530 A 12/1985 Haase
- 4,645,391 A 2/1987 Fallert
- 4,655,612 A 4/1987 Lunz et al.
- 4,662,762 A 5/1987 Schwarz
- 4,678,347 A * 7/1987 Butts et al. 384/43



US D766,346 S

Page 2

(56)

References Cited

U.S. PATENT DOCUMENTS

4,940,339 A 7/1990 Amano
4,957,376 A 9/1990 Ward, Jr.

6,908,228 B2 * 6/2005 Dalessandro et al. 384/43
D557,298 S * 12/2007 Ingham D15/143
D660,890 S * 5/2012 Ito et al. D15/143
8,382,842 B2 2/2013 Greenhalgh et al.

* cited by examiner

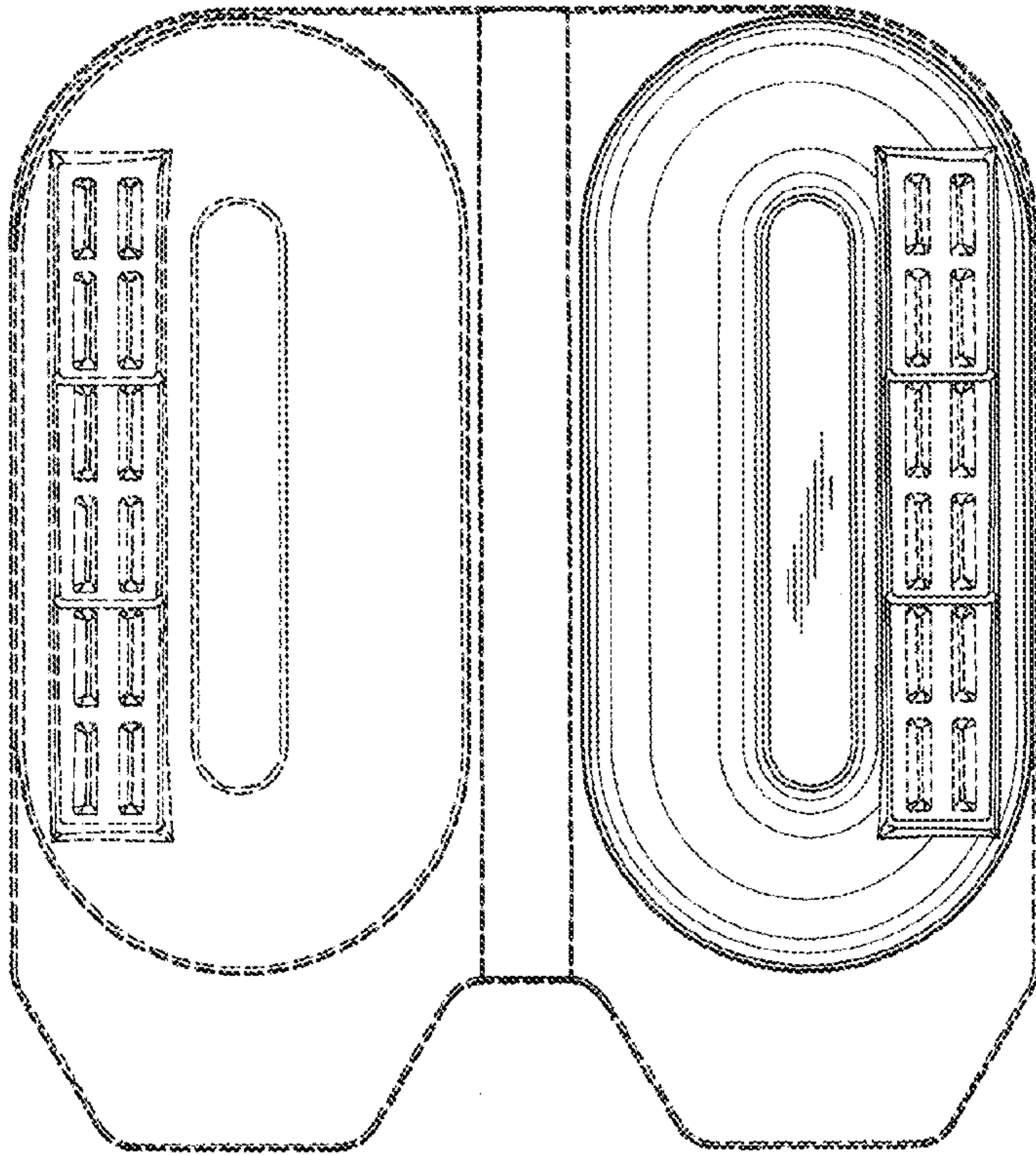


FIG. 1

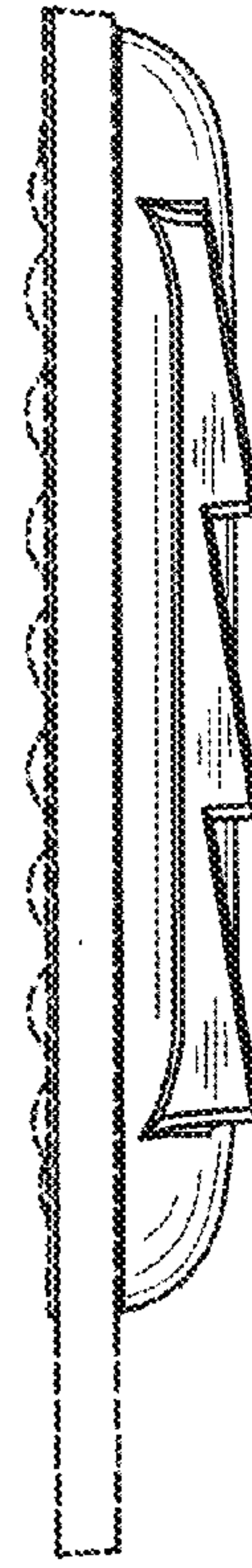


FIG. 2

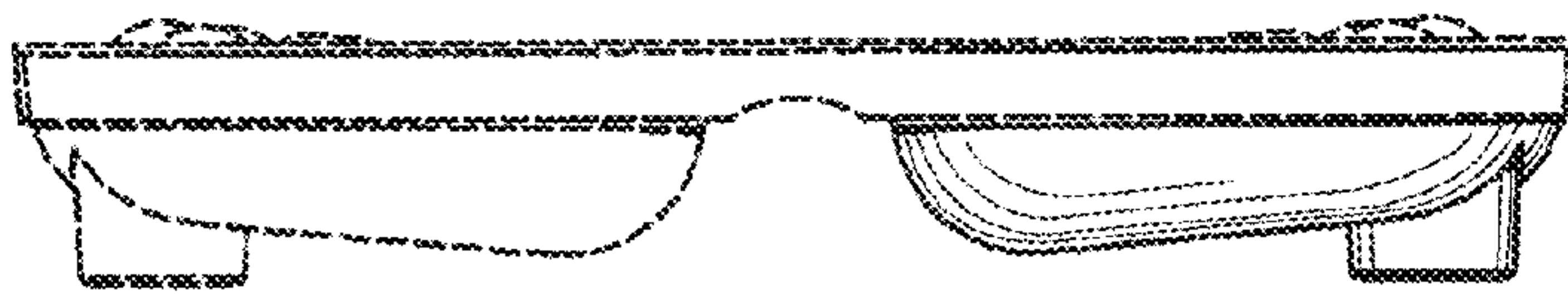


FIG. 3

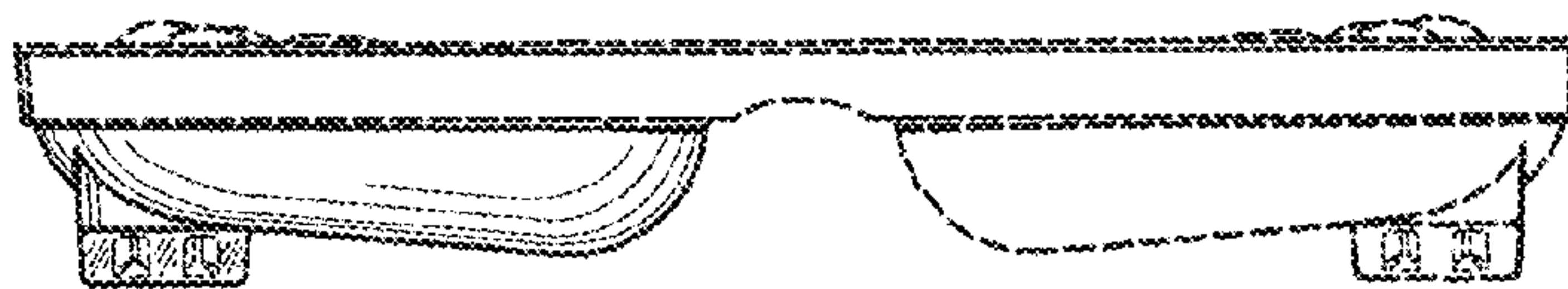


FIG. 4

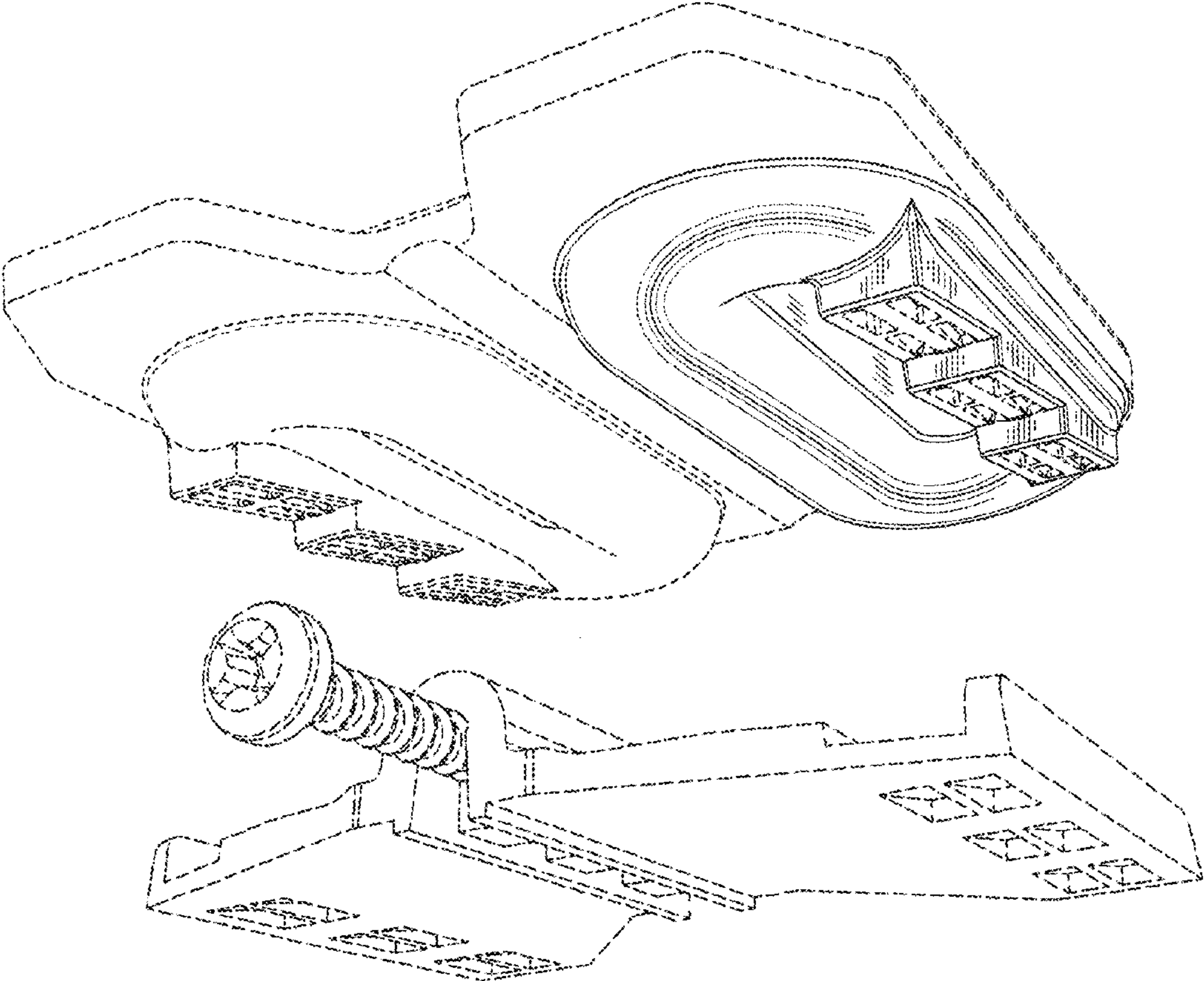


FIG. 5