



US00D766345S

(12) **United States Design Patent**  
**Lee et al.**

(10) **Patent No.:** **US D766,345 S**  
(45) **Date of Patent:** **\*\* Sep. 13, 2016**

(54) **BASKET FOR REFRIGERATOR**

(71) Applicant: **LG ELECTRONICS INC.**, Seoul (KR)

(72) Inventors: **Hangbok Lee**, Seoul (KR); **Hongsik Kwon**, Seoul (KR); **Minsub Kim**, Seoul (KR); **Jungkyu Son**, Seoul (KR); **Eugene Suh**, Seoul (KR); **Junyi Heo**, Seoul (KR)

(73) Assignee: **LG ELECTRONICS INC.**, Seoul (KR)

(\*\*) Term: **14 Years**

(21) Appl. No.: **29/522,090**

(22) Filed: **Mar. 27, 2015**

(30) **Foreign Application Priority Data**

Jan. 13, 2015 (KR) ..... 30-2015-0001581

(51) **LOC (10) Cl.** ..... **15-07**

(52) **U.S. Cl.**  
USPC ..... **D15/89**

(58) **Field of Classification Search**  
USPC ..... D15/79-91  
CPC .... F25D 23/028; F25D 23/02; F25D 25/025;  
F25D 23/00; F25D 2323/021; F25D 11/00;  
F25D 2323/024; F25D 23/04; F25D 29/00;  
F25D 25/02; F25D 25/024; F25D 27/005;  
F25D 23/12; F25D 29/005; F25D 17/042;  
F25D 2325/021; F25D 2323/02

See application file for complete search history.

(56) **References Cited**

**U.S. PATENT DOCUMENTS**

5,567,029 A \* 10/1996 Haenisch ..... F25D 23/04  
211/100

D709,927 S \* 7/2014 Park ..... D15/89  
D733,770 S \* 7/2015 Park ..... D15/89  
D754,218 S \* 4/2016 Jeon ..... D15/89

\* cited by examiner

*Primary Examiner* — Daniel Bui

*Assistant Examiner* — Khawaja Anwar

(74) *Attorney, Agent, or Firm* — Birch, Stewart, Kolasch & Birch, LLP

(57) **CLAIM**

We claim the ornamental design for a basket for refrigerator, as shown and described.

**DESCRIPTION**

FIG. 1 is a perspective view of a basket for refrigerator showing our new design:

FIG. 2 is a front elevation view thereof;

FIG. 3 is a rear elevation view thereof;

FIG. 4 is a left-side elevation view thereof;

FIG. 5 is a right-side elevation view thereof;

FIG. 6 is a top plan view thereof;

FIG. 7 is a bottom plan view thereof;

FIG. 8 is a perspective view with the horizontal bar thereof being upright;

FIG. 9 is a front elevation view with the horizontal bar thereof being upright;

FIG. 10 is a right-side elevation view with the horizontal bar thereof being upright;

FIG. 11 is a top plan view with the horizontal bar thereof being upright;

FIG. 12 is a perspective view with the horizontal bar thereof being fallen-down;

FIG. 13 is a front elevation view with the horizontal bar thereof being fallen-down;

FIG. 14 is a right-side elevation view with the horizontal bar thereof being fallen-down; and,

FIG. 15 is a top plan view with the horizontal bar thereof being fallen-down.

**1 Claim, 10 Drawing Sheets**

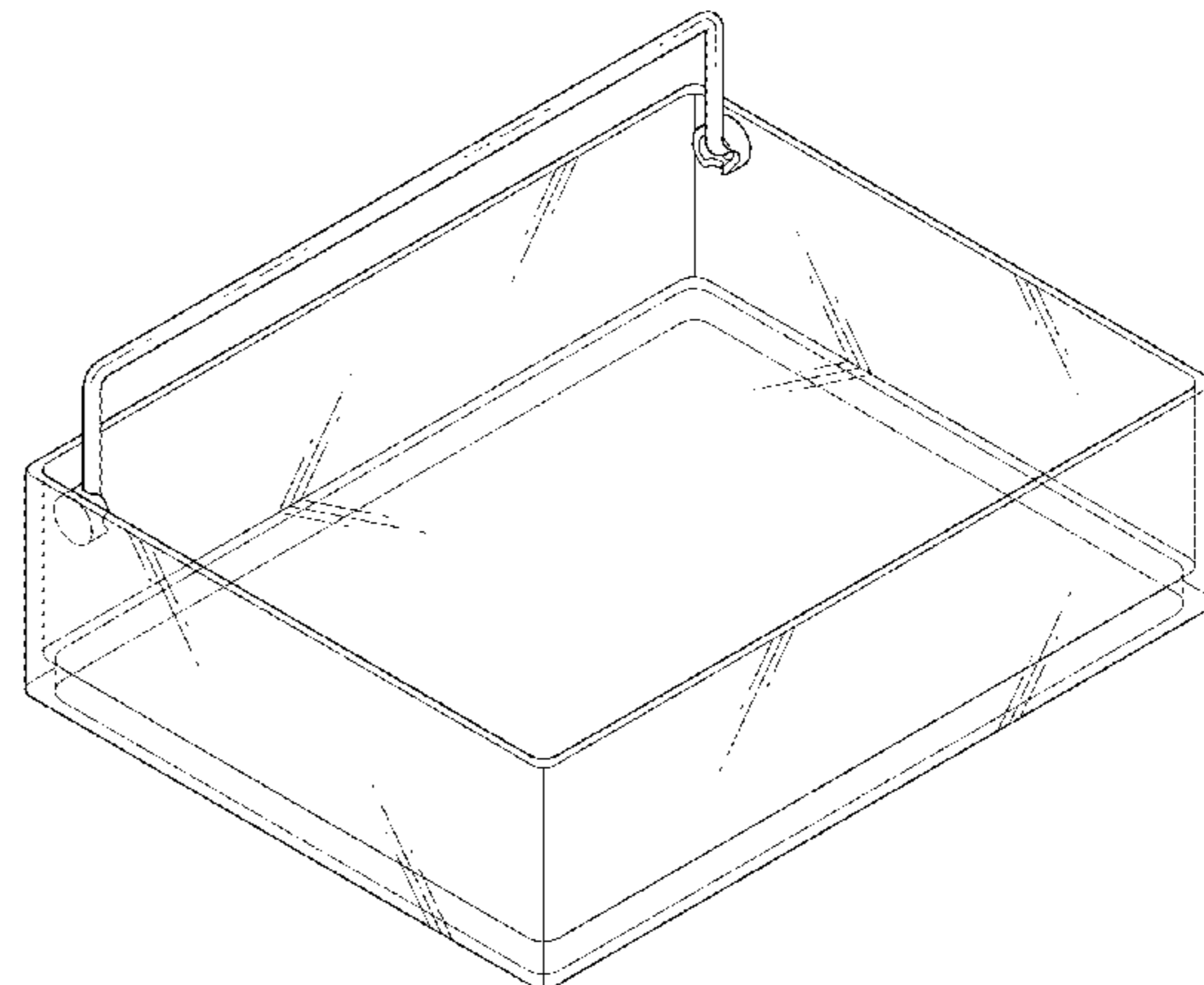
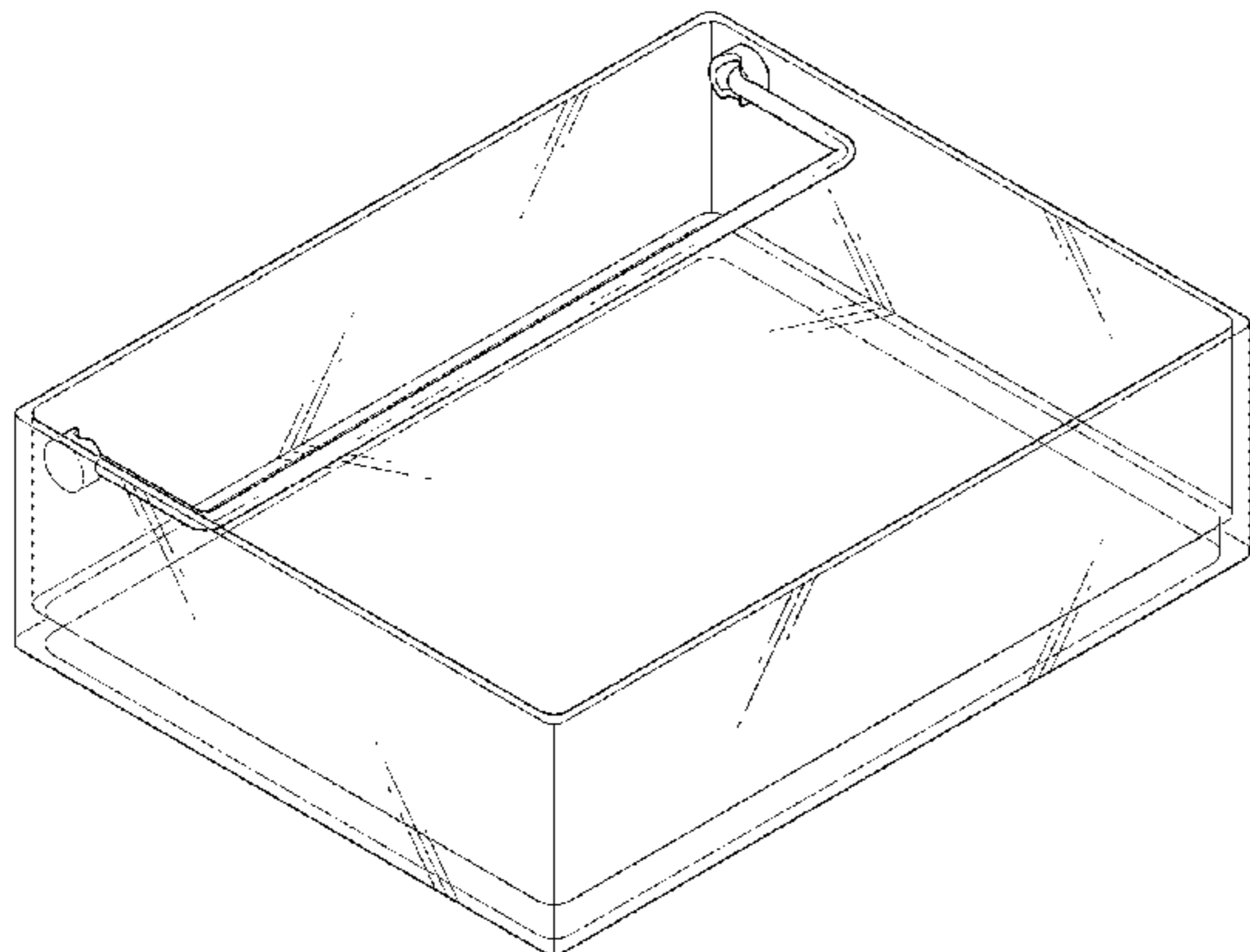


FIG. 1

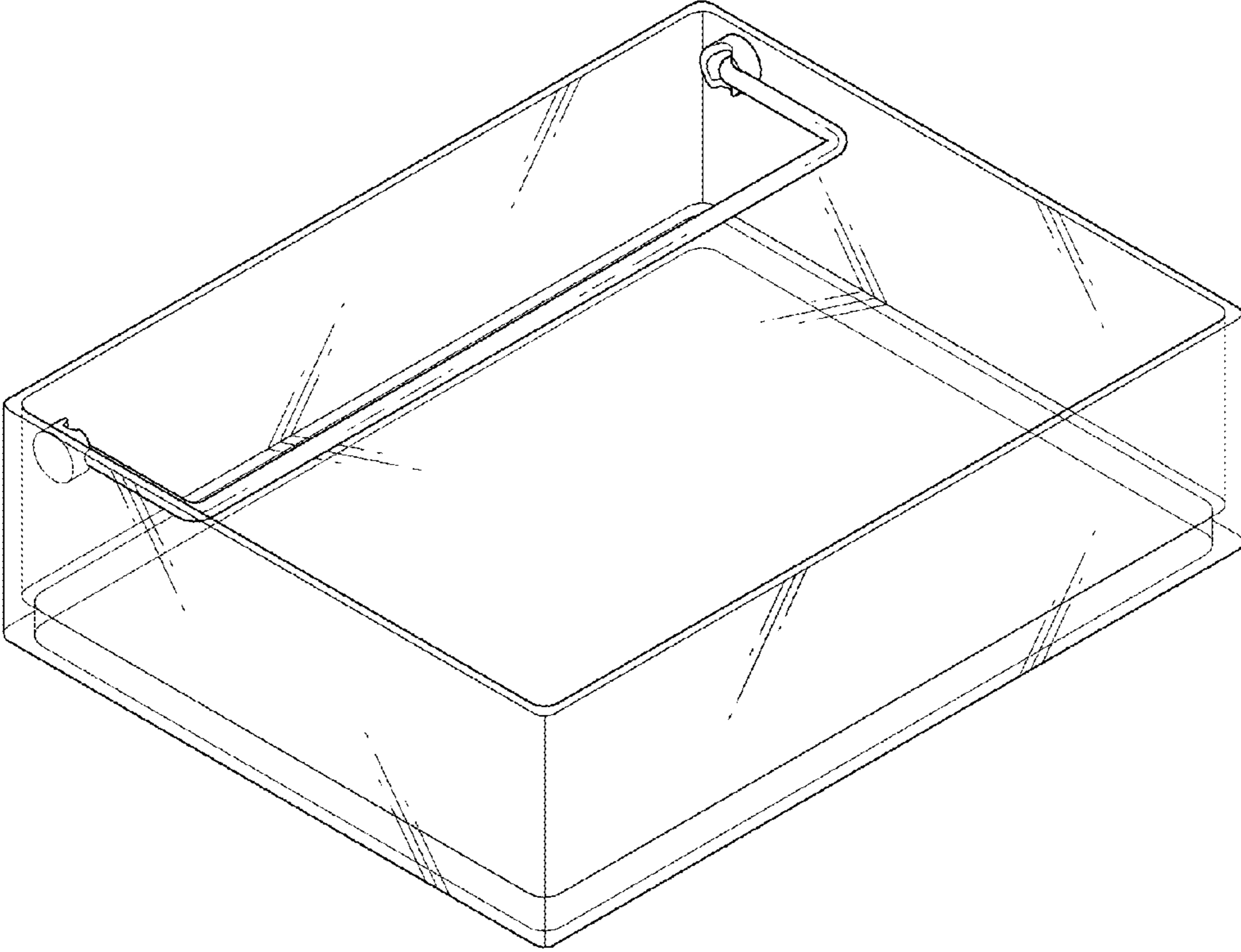


FIG. 2

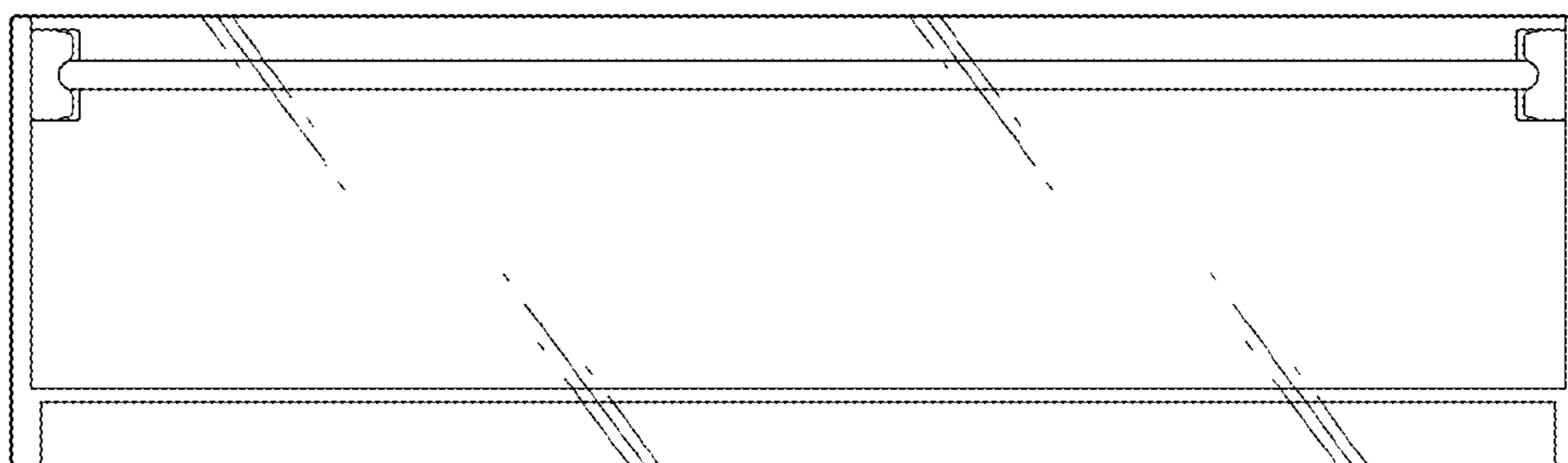


FIG. 3

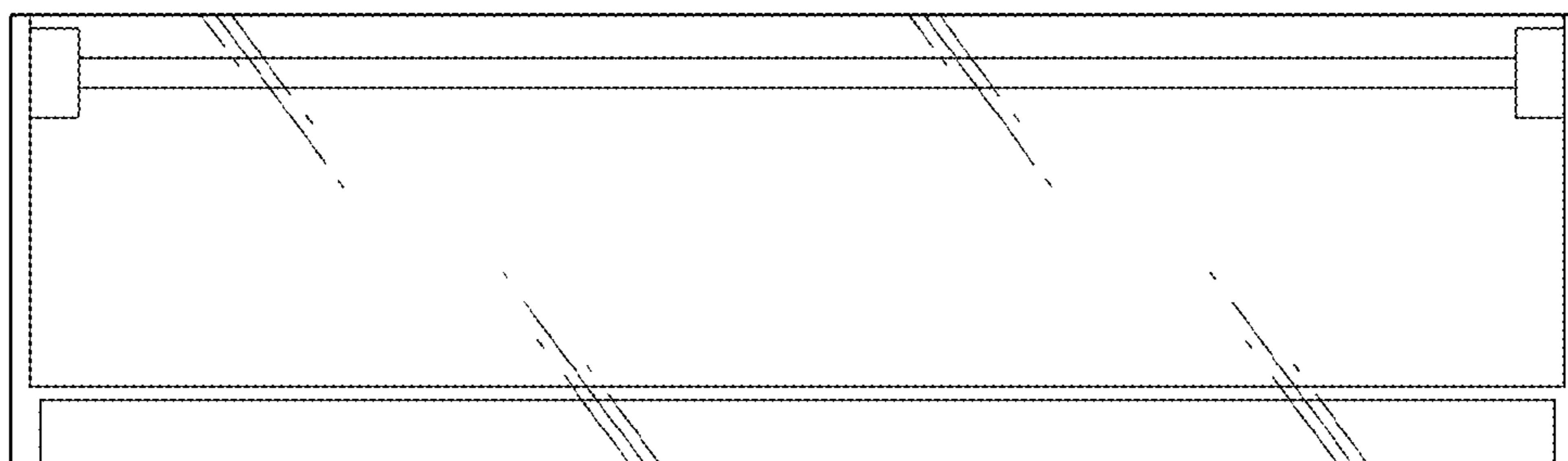


FIG. 4

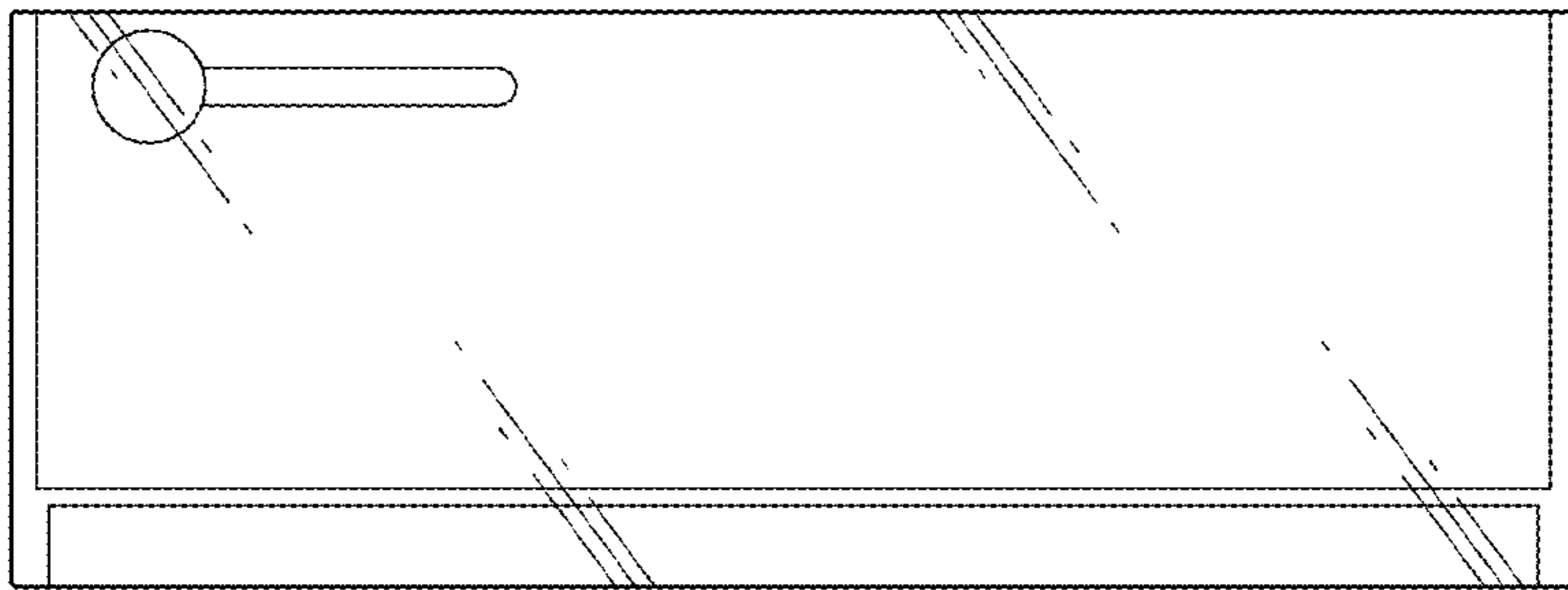


FIG. 5

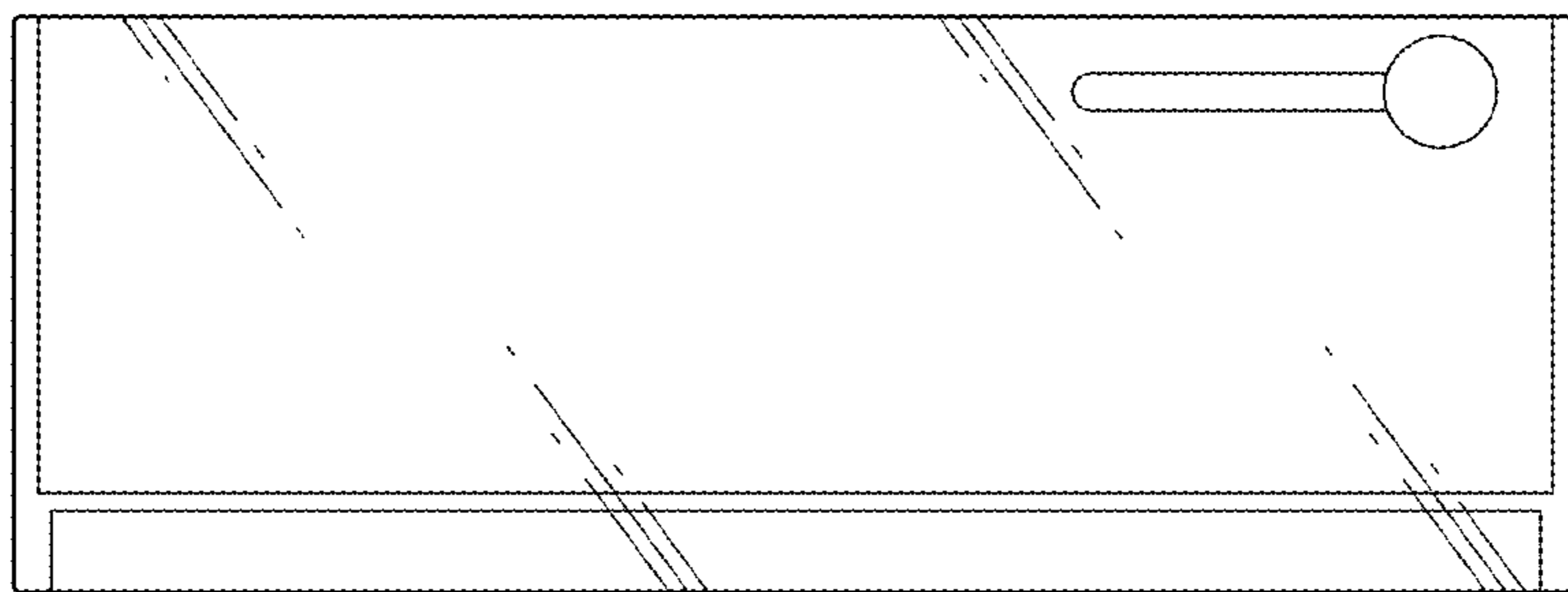


FIG. 6

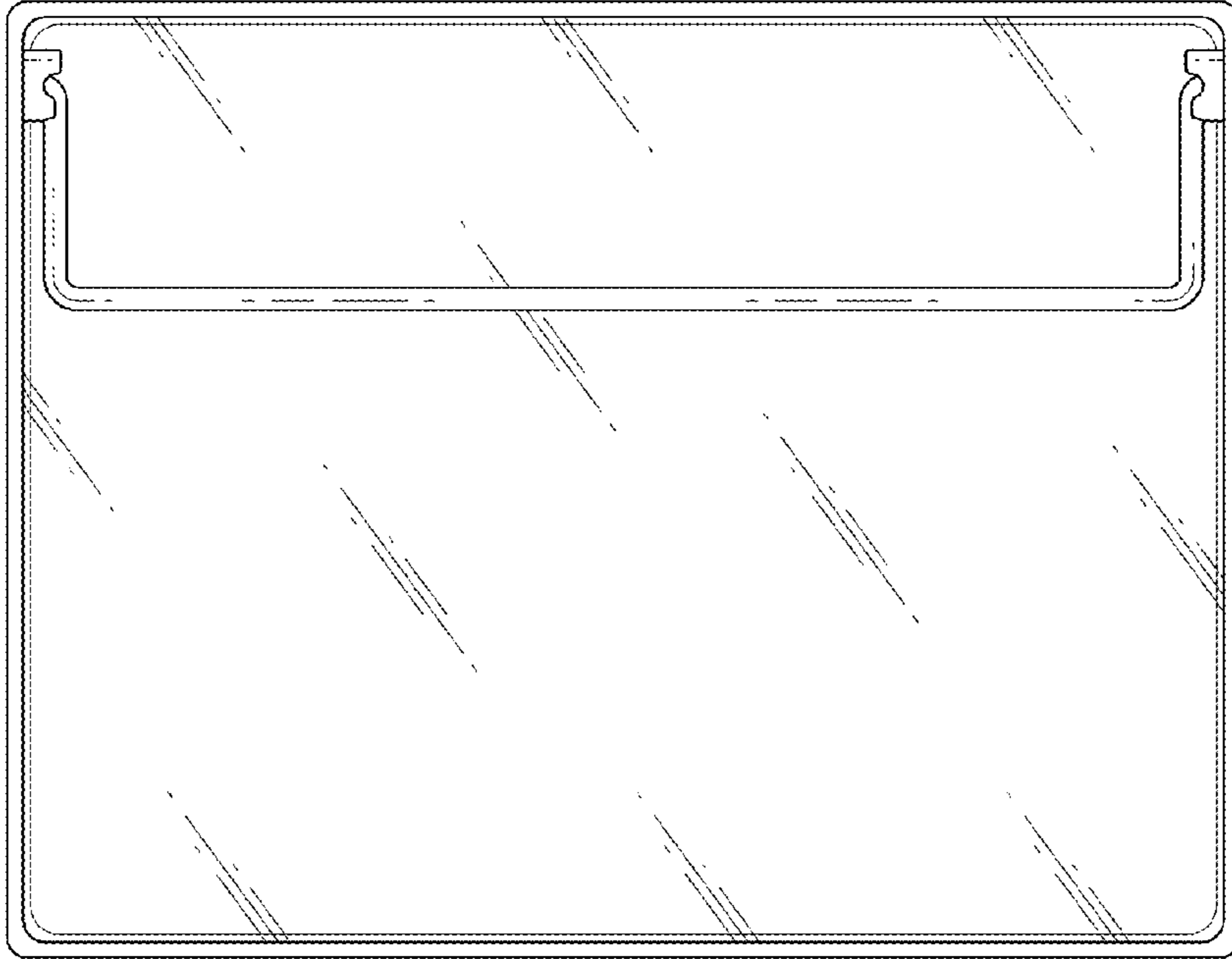


FIG. 7

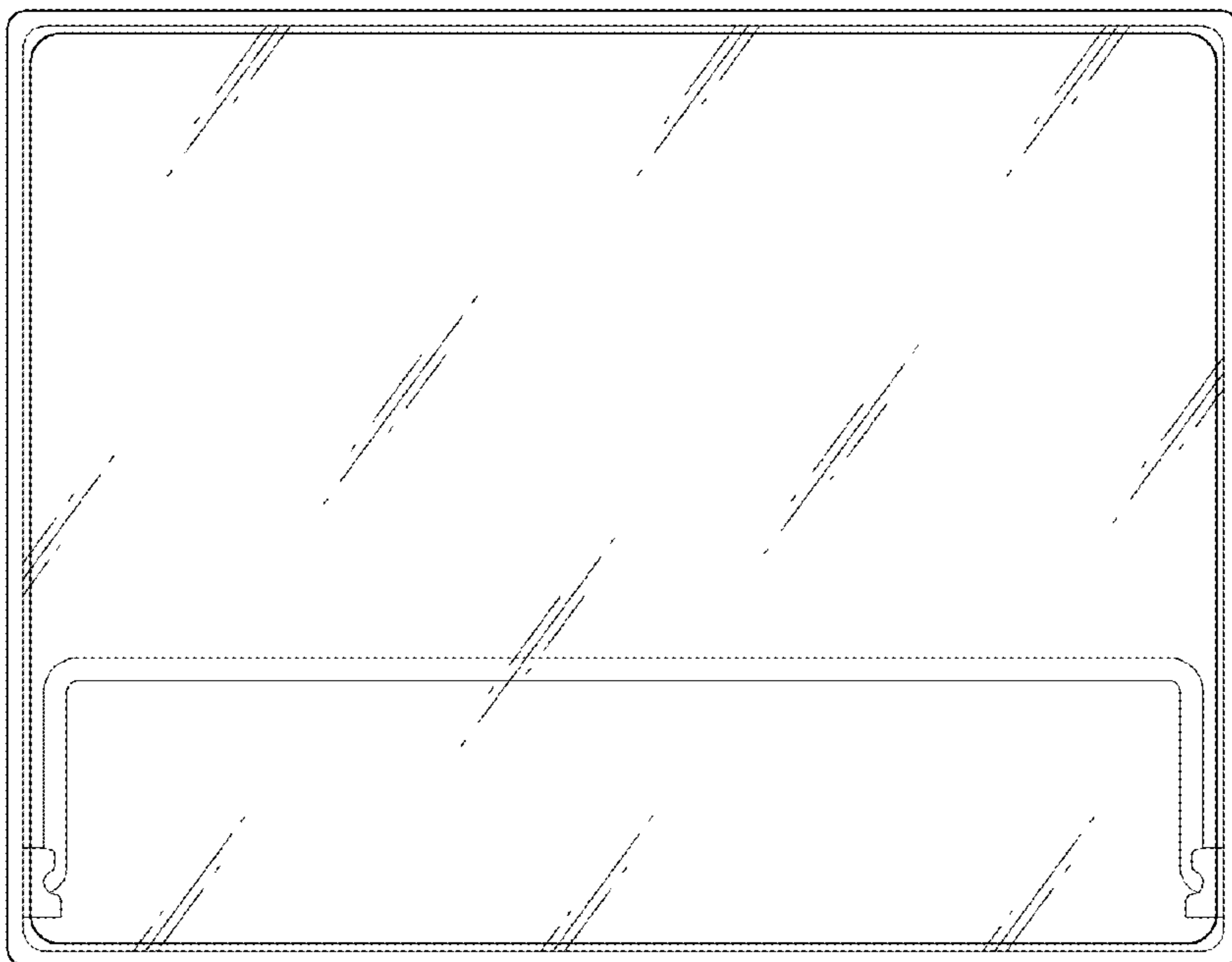




FIG. 8

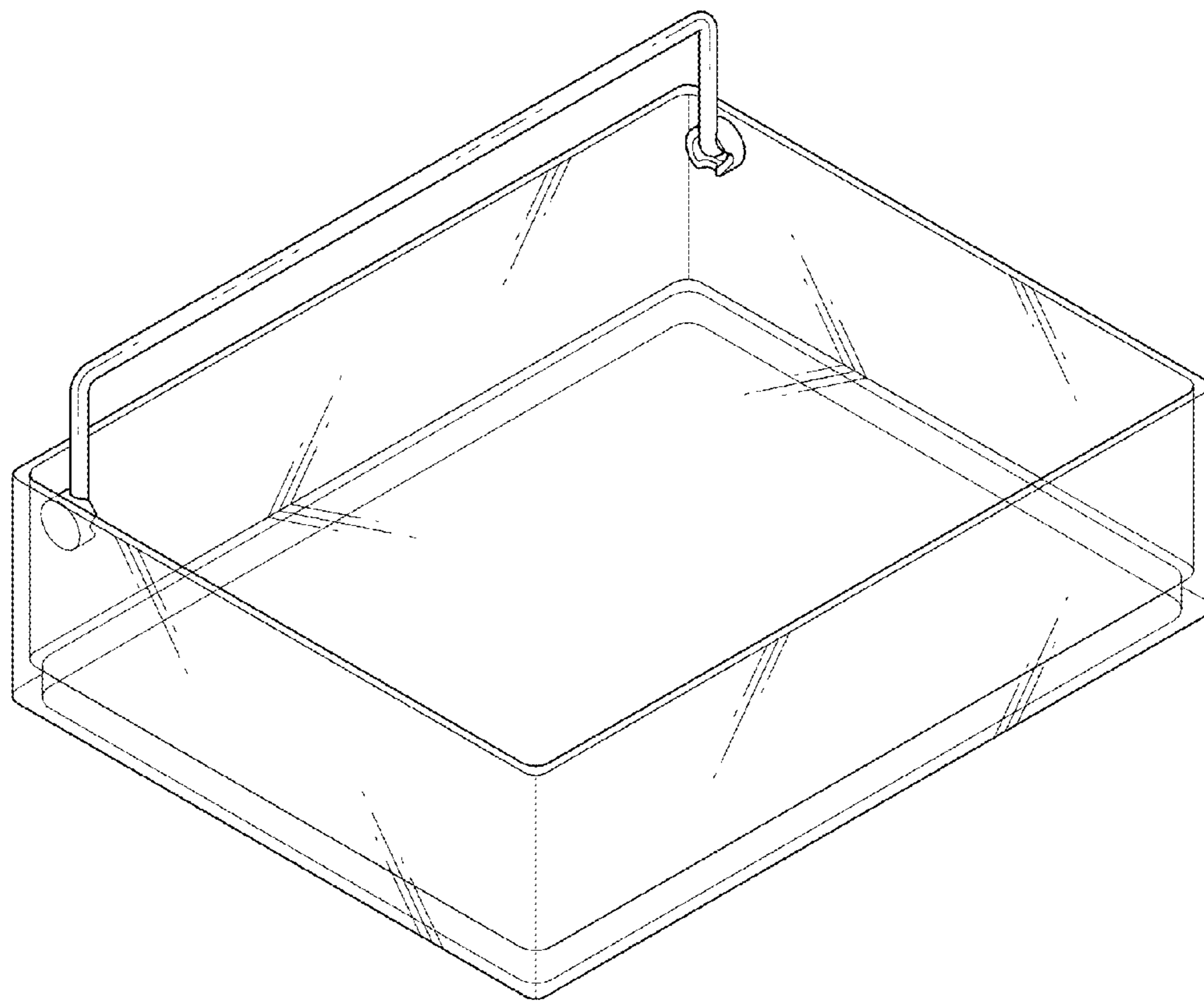


FIG. 9

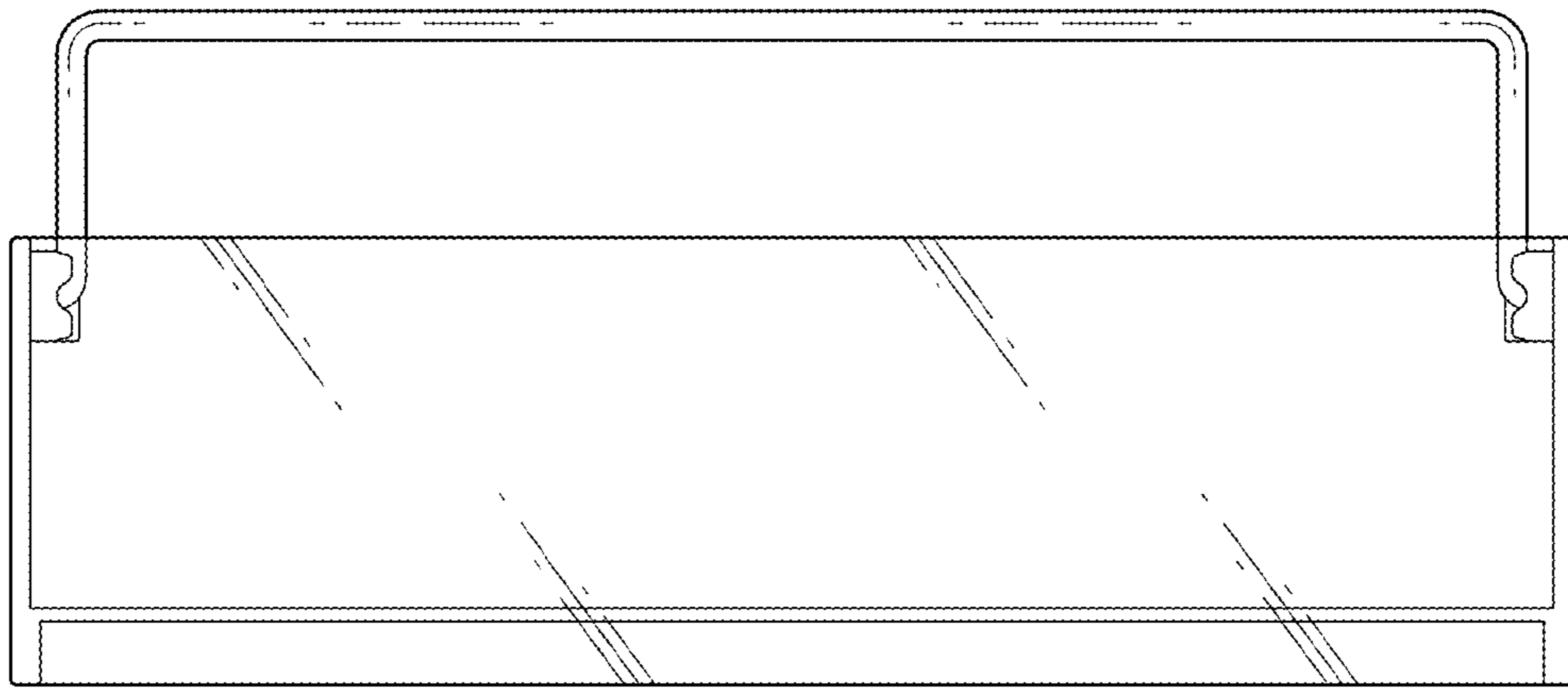


FIG. 10

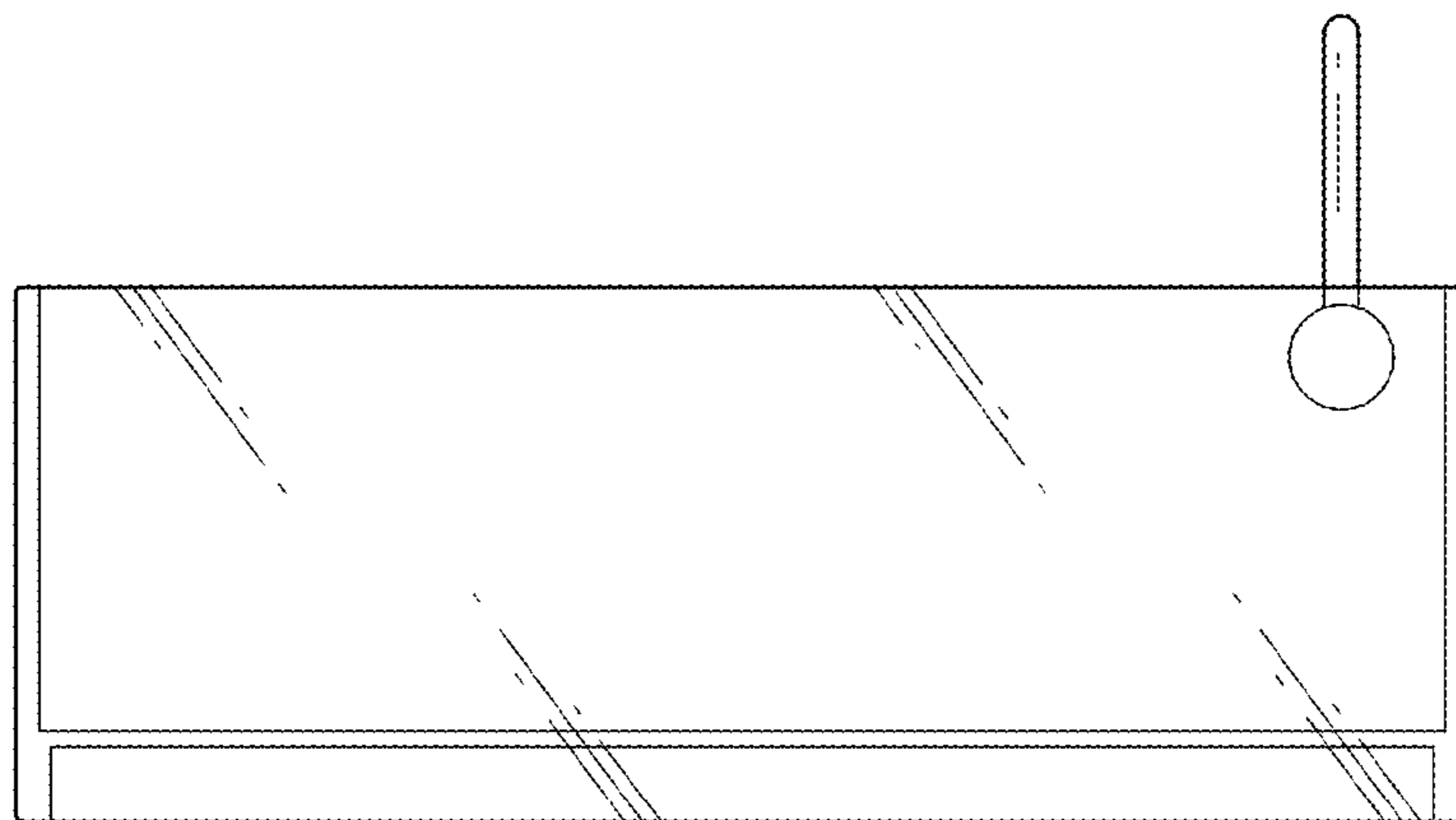


FIG. 11

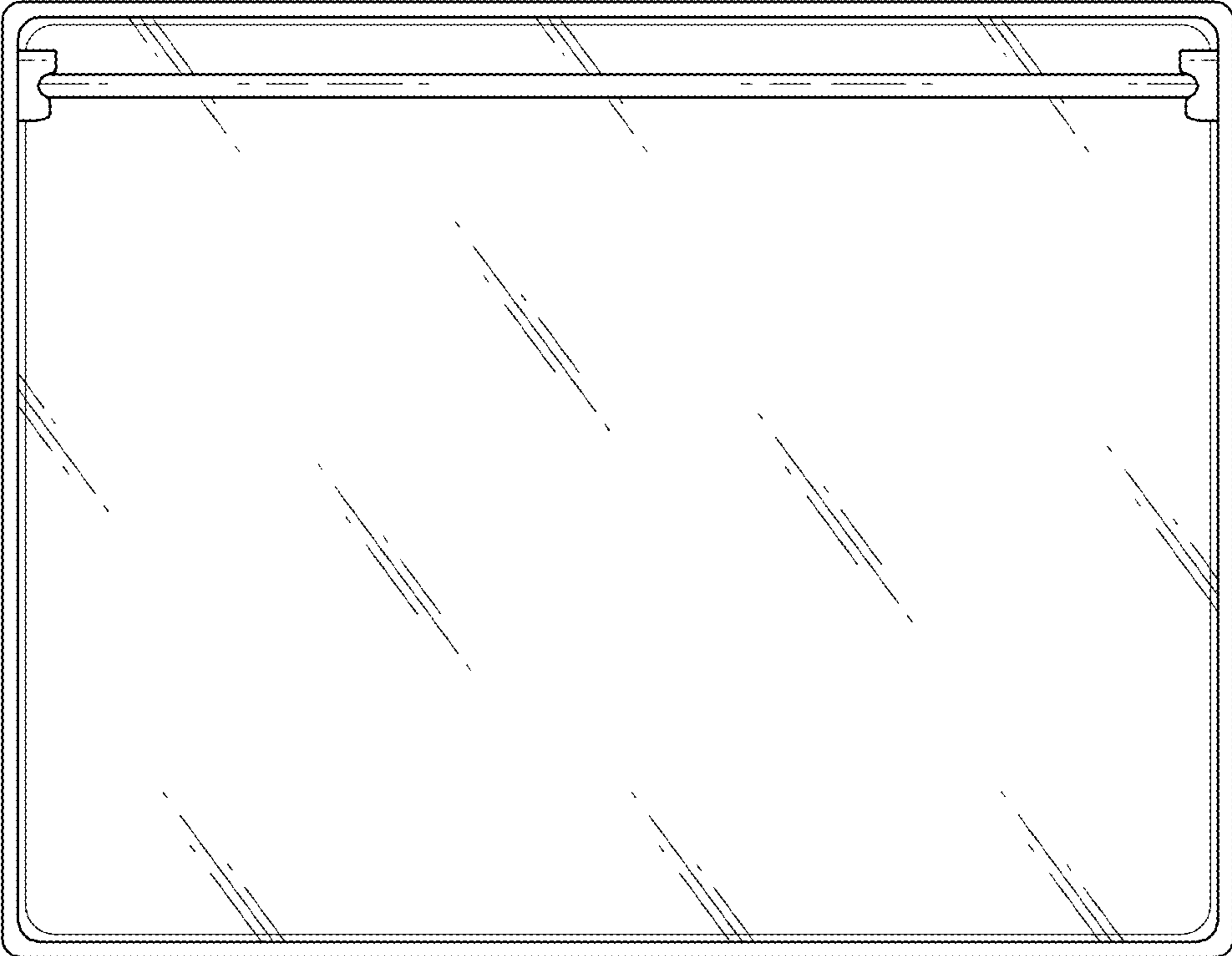




FIG. 12

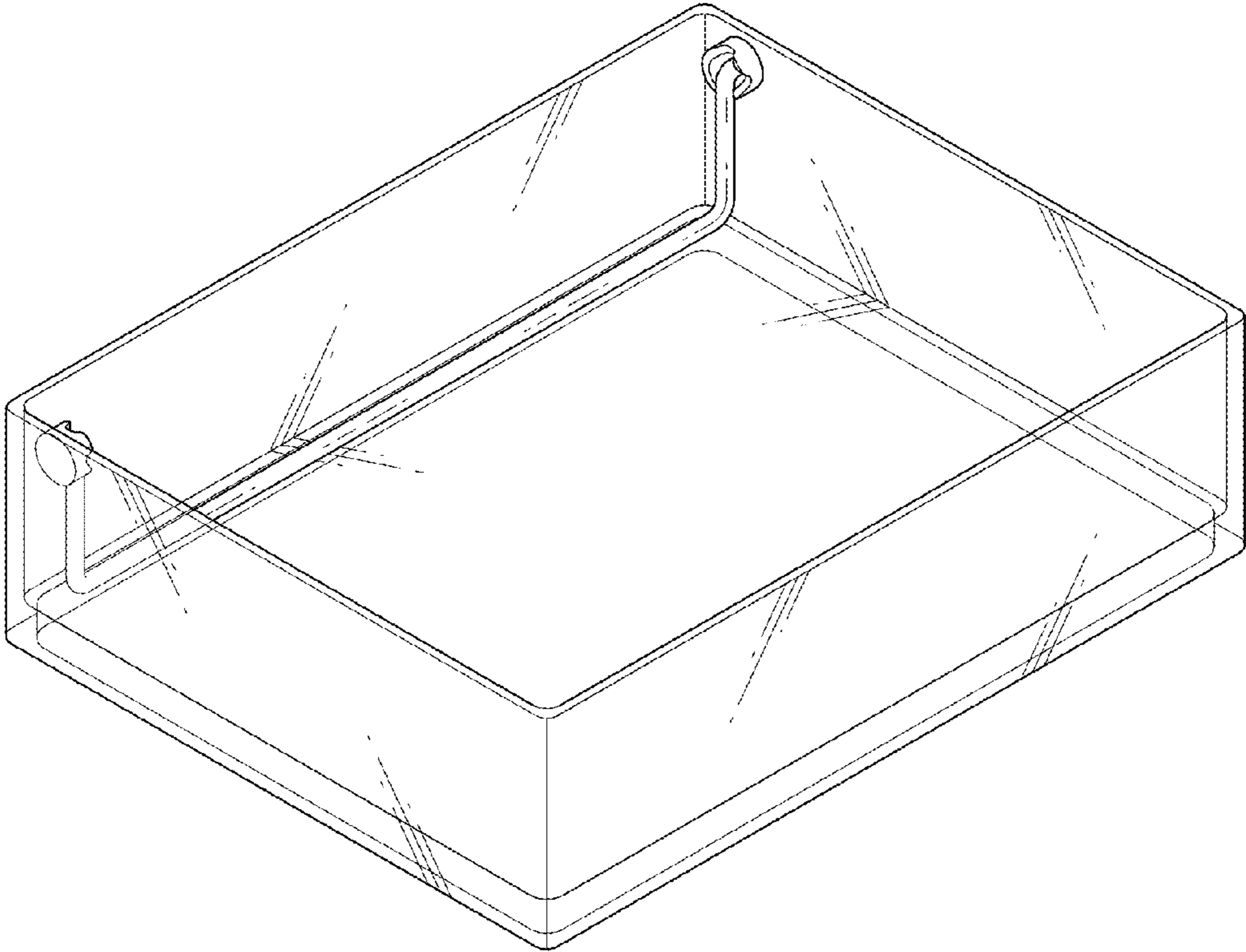


FIG. 13

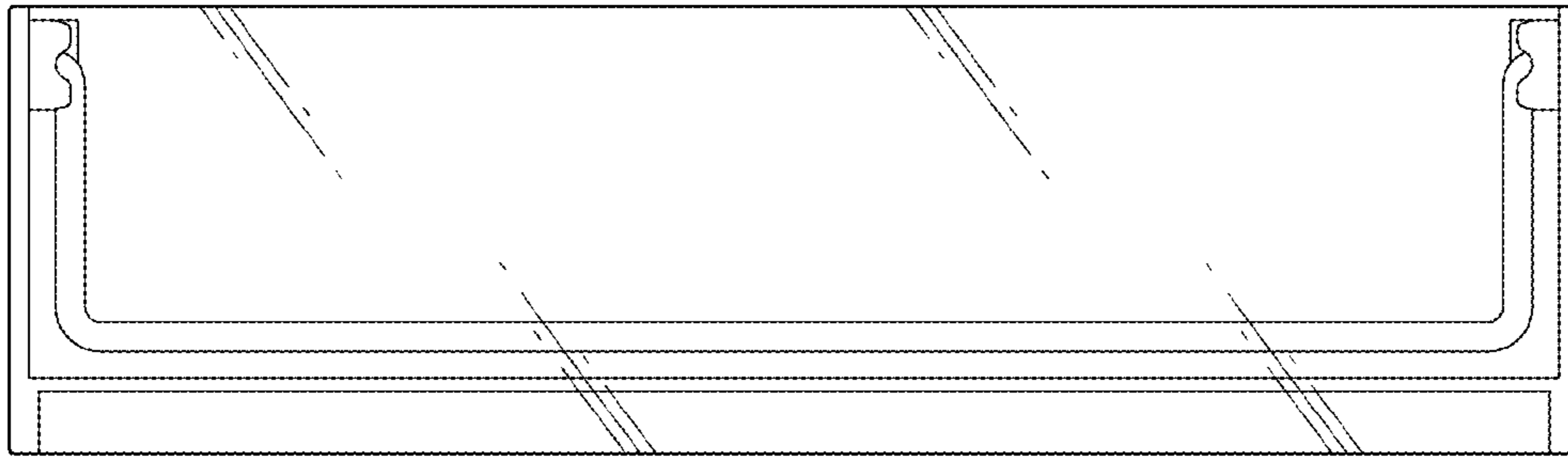


FIG. 14

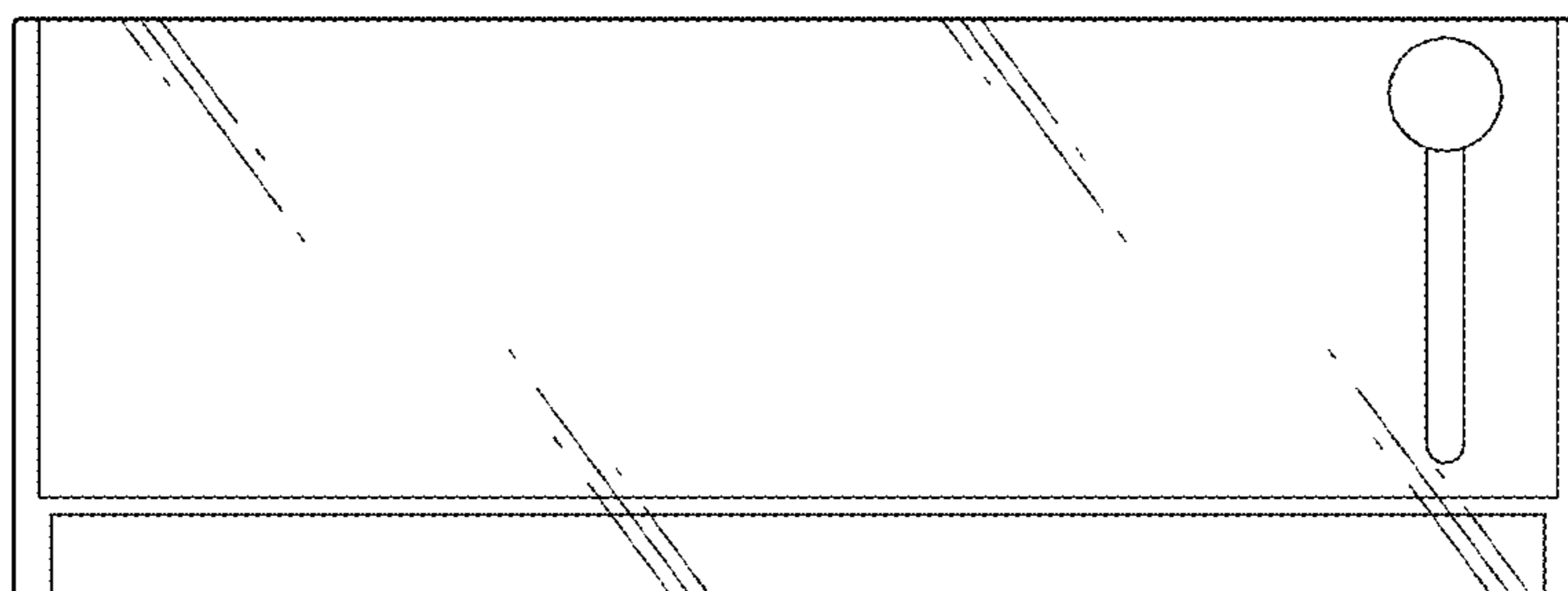


FIG. 15

