

US00D766343S

(12) **United States Design Patent**
Linan et al.

(10) **Patent No.:** **US D766,343 S**

(45) **Date of Patent:** **** Sep. 13, 2016**

(54) **FRONT END FINAL LOADER**
(71) Applicant: **Deere & Company**, Moline, IL (US)
(72) Inventors: **Jose Rene Linan**, Ramos Arizpe (MX);
Rene Ismael De La Garza, Monterrey (MX); **Carlos Vargas**, Monterrey (MX); **Oscar Alberto Villarreal**, Monterrey (MX); **Kathia Lucia Amarante**, Monterrey (MX); **Gloria Irene Gutierrez**, San Nicolas (MX); **Juan Pablo Cantisani**, San Pedro Garza Garcia (MX); **Diego Adrian Villarreal**, Guadalupe (MX)

(73) Assignee: **DEERE & COMPANY**, Moline, IL (US)

(**) Term: **15 Years**

(21) Appl. No.: **29/527,534**

(22) Filed: **May 20, 2015**

(51) **LOC (10) Cl.** **15-03**

(52) **U.S. Cl.**
USPC **D15/32; D15/28**

(58) **Field of Classification Search**
USPC D15/10, 22-26, 28, 29, 32; 414/686, 414/694, 722, 718, 815, 723, 685, 724; 37/341, 407, 468

CPC E02F 9/2275; E02F 3/34; E02F 3/28; E02F 3/36; E02F 3/6273; E02F 3/627; E02F 3/432; E02F 3/422; E02F 3/3408; E02F 3/382; B66C 23/00; A01D 87/0069

See application file for complete search history.

(56) **References Cited**

U.S. PATENT DOCUMENTS

2,989,199 A * 6/1961 Hough E02F 3/34
414/685
4,161,369 A * 7/1979 Moreno E02F 3/38
212/347

4,162,872 A * 7/1979 Grooss E02F 9/006
414/713
4,576,543 A * 3/1986 Kuchyt A01D 87/0069
414/685
D339,813 S * 9/1993 Houkom D15/32
5,611,657 A * 3/1997 Peterson E02F 3/38
414/686
D405,098 S * 2/1999 Andrews D15/28
D410,240 S * 5/1999 Sasaki D15/32
D412,913 S * 8/1999 Sasaki D15/28
D451,105 S * 11/2001 Masumoto D15/28
D459,368 S * 6/2002 Westendorf D15/32
D469,448 S * 1/2003 Bares D15/32
D507,004 S * 7/2005 Westendorf D15/32
D518,075 S * 3/2006 Westendorf D15/32
D528,569 S * 9/2006 Nilsson D15/32
D529,053 S * 9/2006 Stender D15/32
D533,883 S * 12/2006 Higashikawa D15/32
7,281,890 B2 * 10/2007 Friesen E02F 3/6273
172/275
D562,351 S * 2/2008 Higashikawa D15/28
7,451,587 B2 * 11/2008 Komiya A01D 34/64
56/14.9
D595,746 S * 7/2009 Iida D15/28

(Continued)

Primary Examiner — Mark Goodwin

(57) **CLAIM**

The ornamental design for a front end final loader, as shown and described.

DESCRIPTION

FIG. 1 is a perspective view of a front end final loader of the present invention.

FIG. 2 is a left side view of the front end final loader of FIG. 1.

FIG. 3 is a right side view of the front end final loader of FIG. 1.

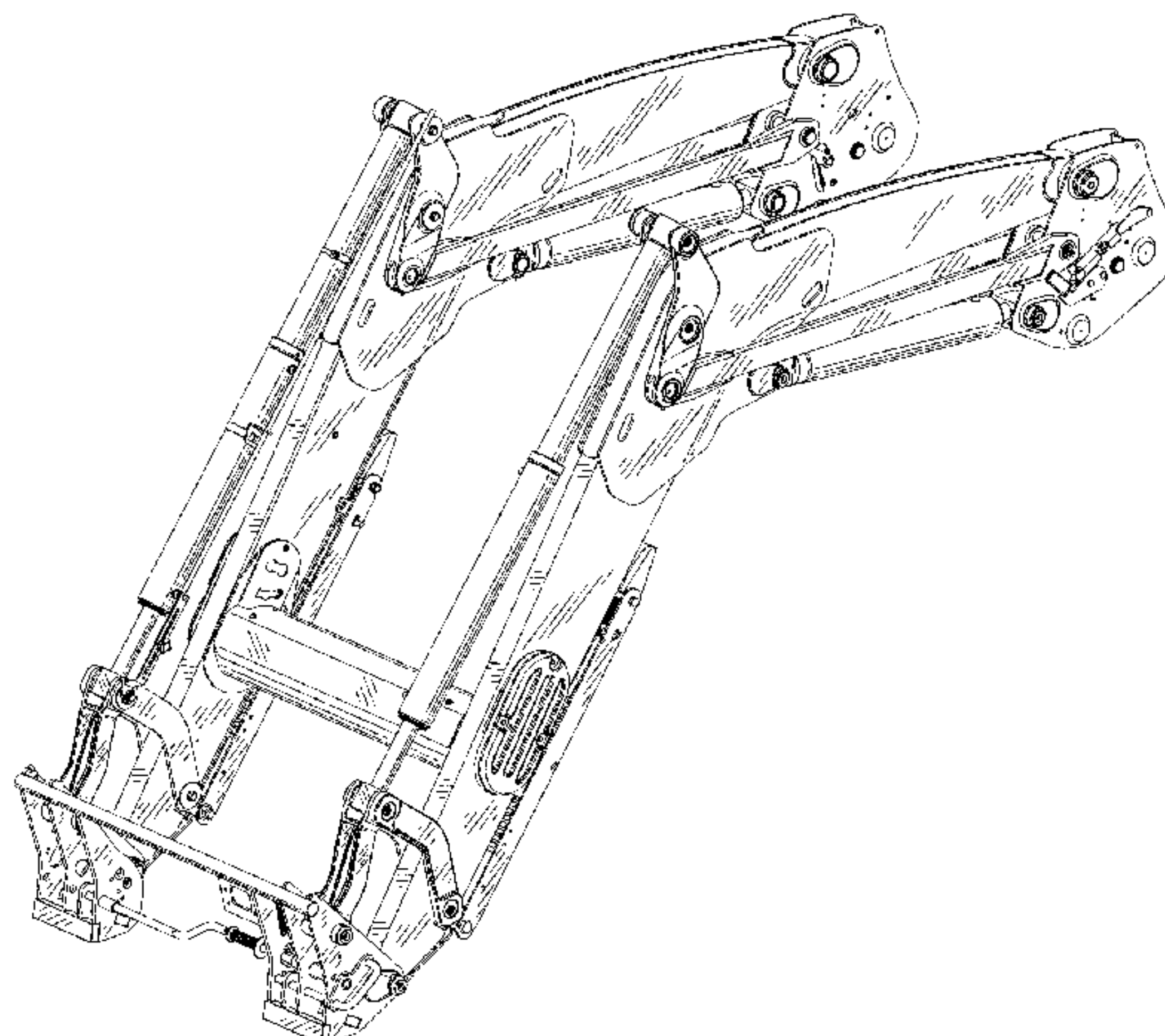
FIG. 4 is a top view of the front end final loader of FIG. 1.

FIG. 5 is a bottom view of the front end final loader of FIG. 1.

FIG. 6 is a rear view of the front end final loader of FIG. 1; and,

FIG. 7 is a front view of the front end final loader of FIG. 1.

1 Claim, 7 Drawing Sheets



(56)

References Cited

U.S. PATENT DOCUMENTS

D598,031 S *	8/2009	Smith	D15/28	2006/0182592 A1 *	8/2006	Stender	E02F 3/3405 414/686
D602,508 S *	10/2009	Shimomura	D15/32	2006/0245899 A1 *	11/2006	Lyons	E02F 3/6273 414/686
D628,604 S *	12/2010	Major	D15/28	2007/0020078 A1 *	1/2007	Frey	E02F 3/38 414/686
D646,306 S *	10/2011	Bradley	D15/28	2007/0031233 A1 *	2/2007	Frey	E02F 3/34 414/685
D656,164 S *	3/2012	Nilsson	D15/28	2007/0217899 A1 *	9/2007	Sakada	E02F 3/3408 414/722
D672,372 S *	12/2012	Nilsson	D15/28	2007/0243052 A1 *	10/2007	Fukudome	E02F 3/382 414/723
D739,446 S *	9/2015	Nilsson	D15/32	2007/0292255 A1 *	12/2007	Nilsson	E02F 3/34 414/686
2003/0118432 A1 *	6/2003	Lee	B66C 23/64 414/722	2008/0063502 A1 *	3/2008	Nilsson	E02F 3/34 414/685
2004/0161325 A1 *	8/2004	Yoshii	E02F 3/964 414/686	2008/0193269 A1 *	8/2008	Sakada	E02F 3/38 414/722
2004/0228717 A1 *	11/2004	Perrin	A01B 59/062 414/723					
2006/0073003 A1 *	4/2006	Fukudome	E02F 3/627 414/686					

* cited by examiner

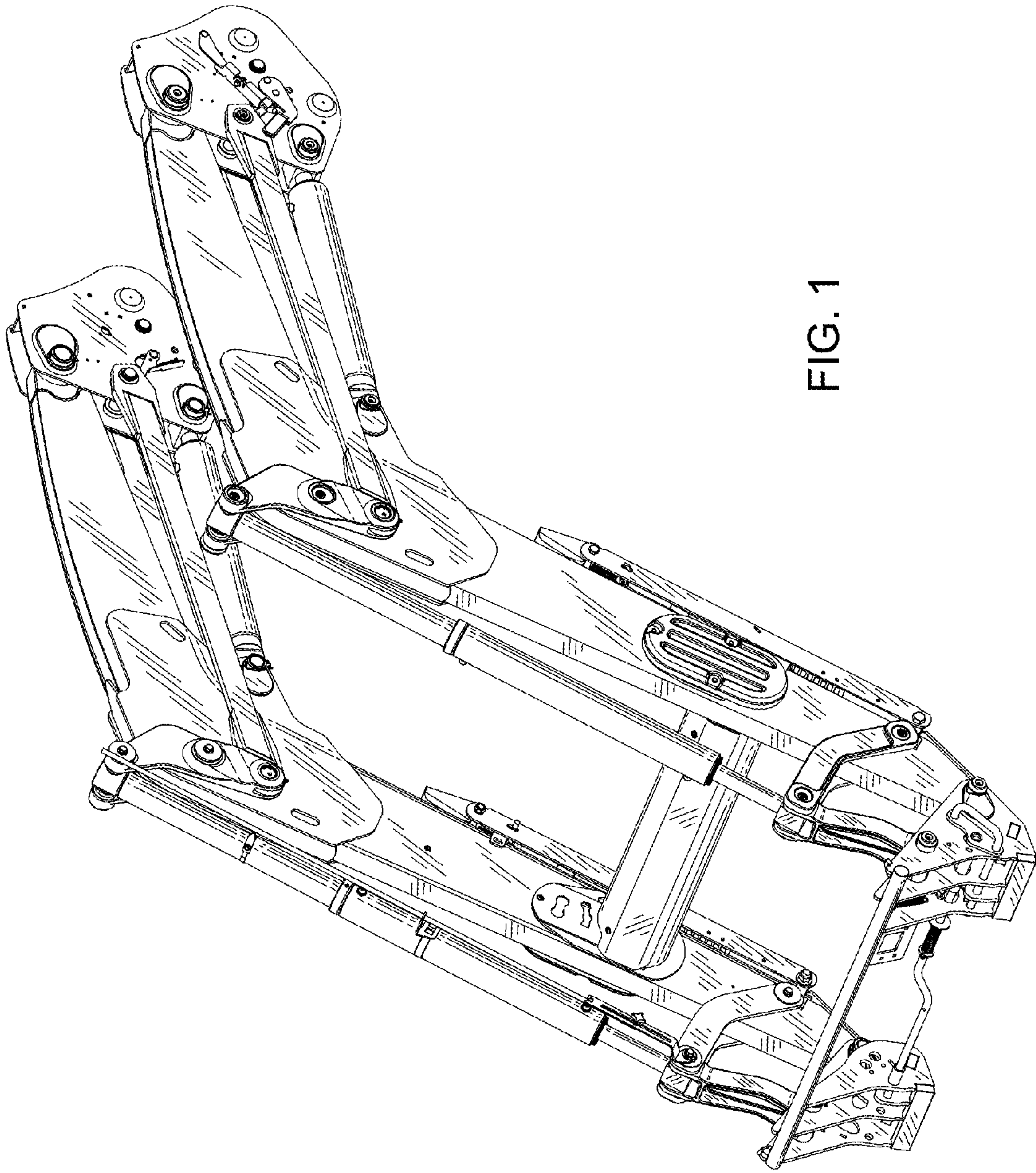


FIG. 1

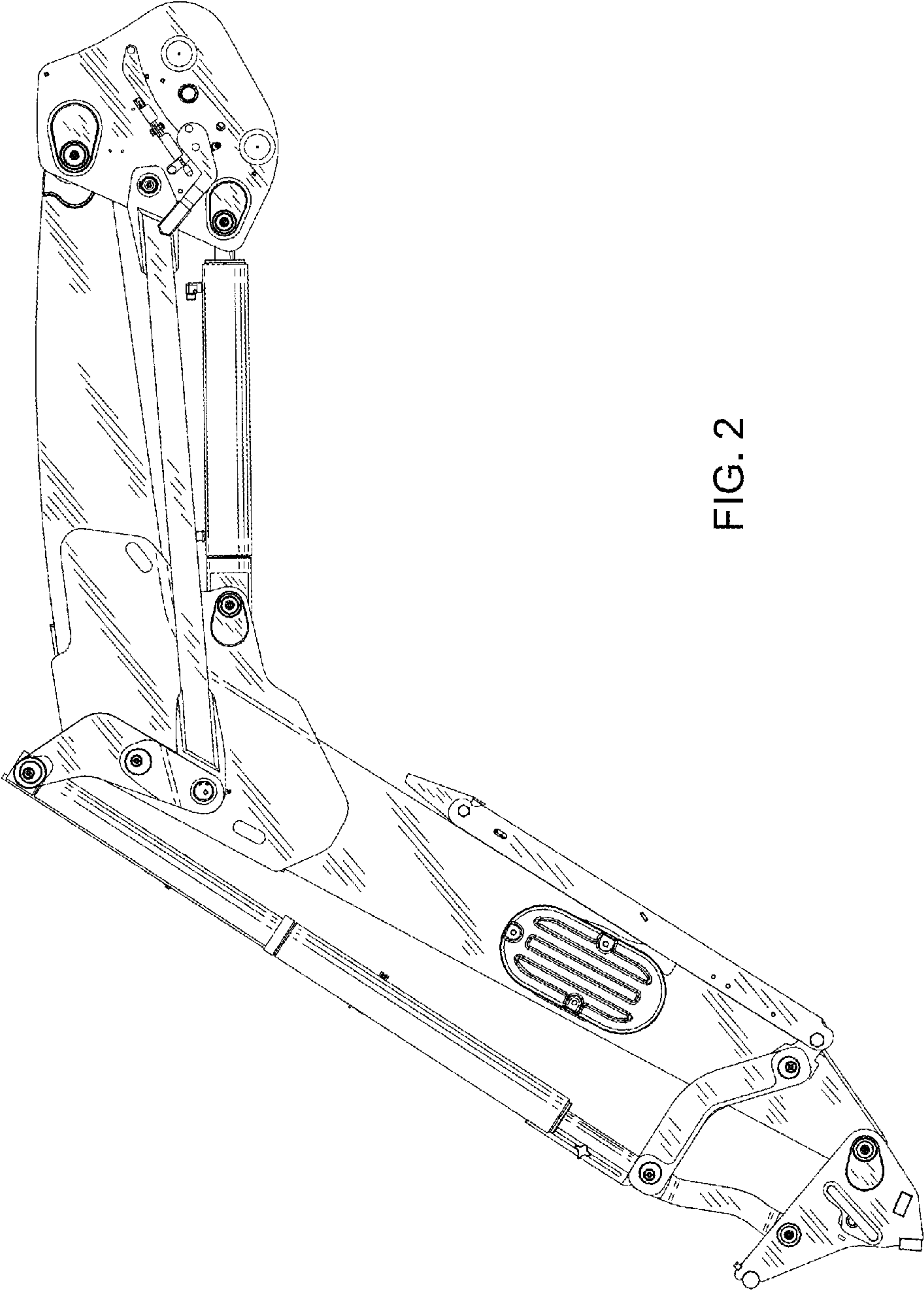


FIG. 2

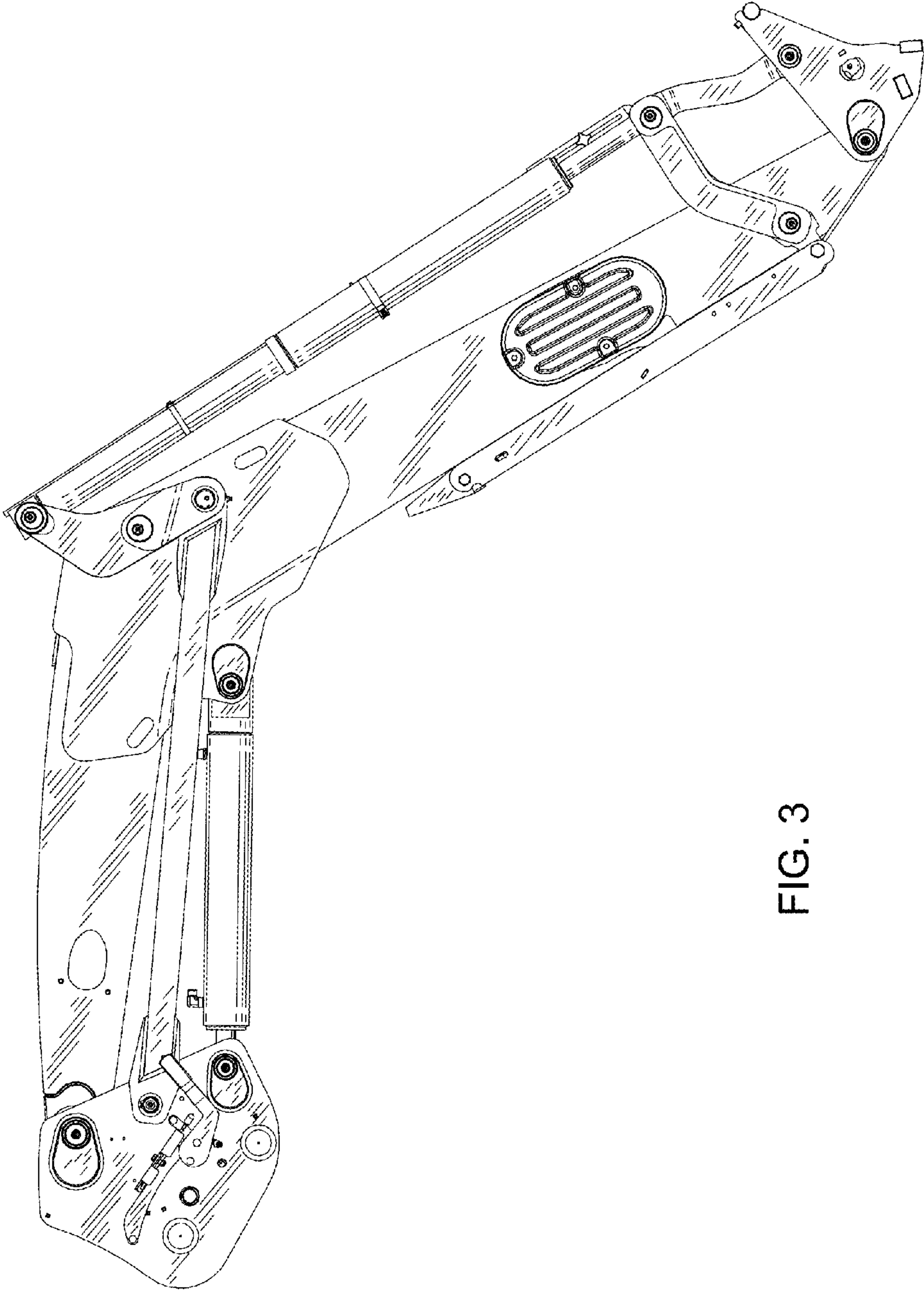


FIG. 3

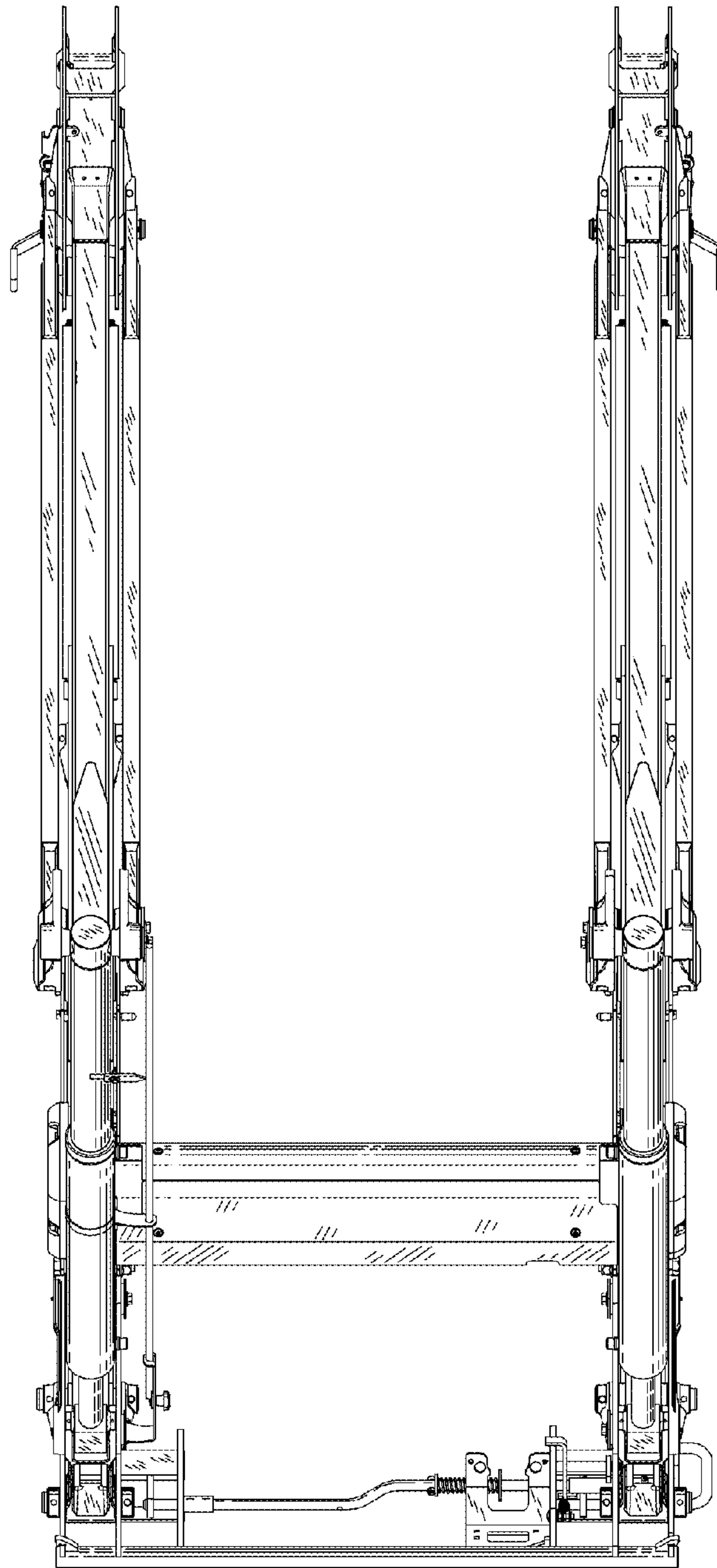


FIG. 4

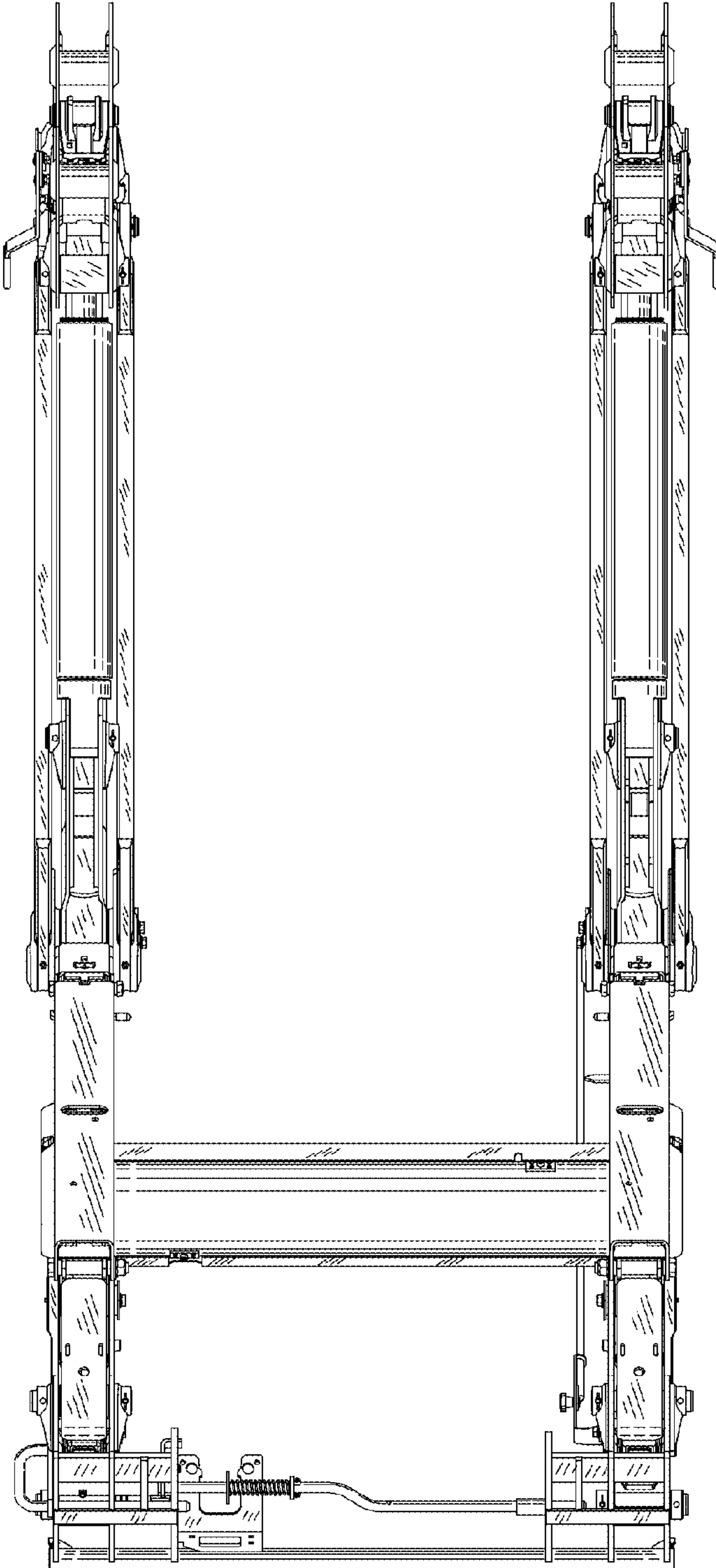


FIG. 5

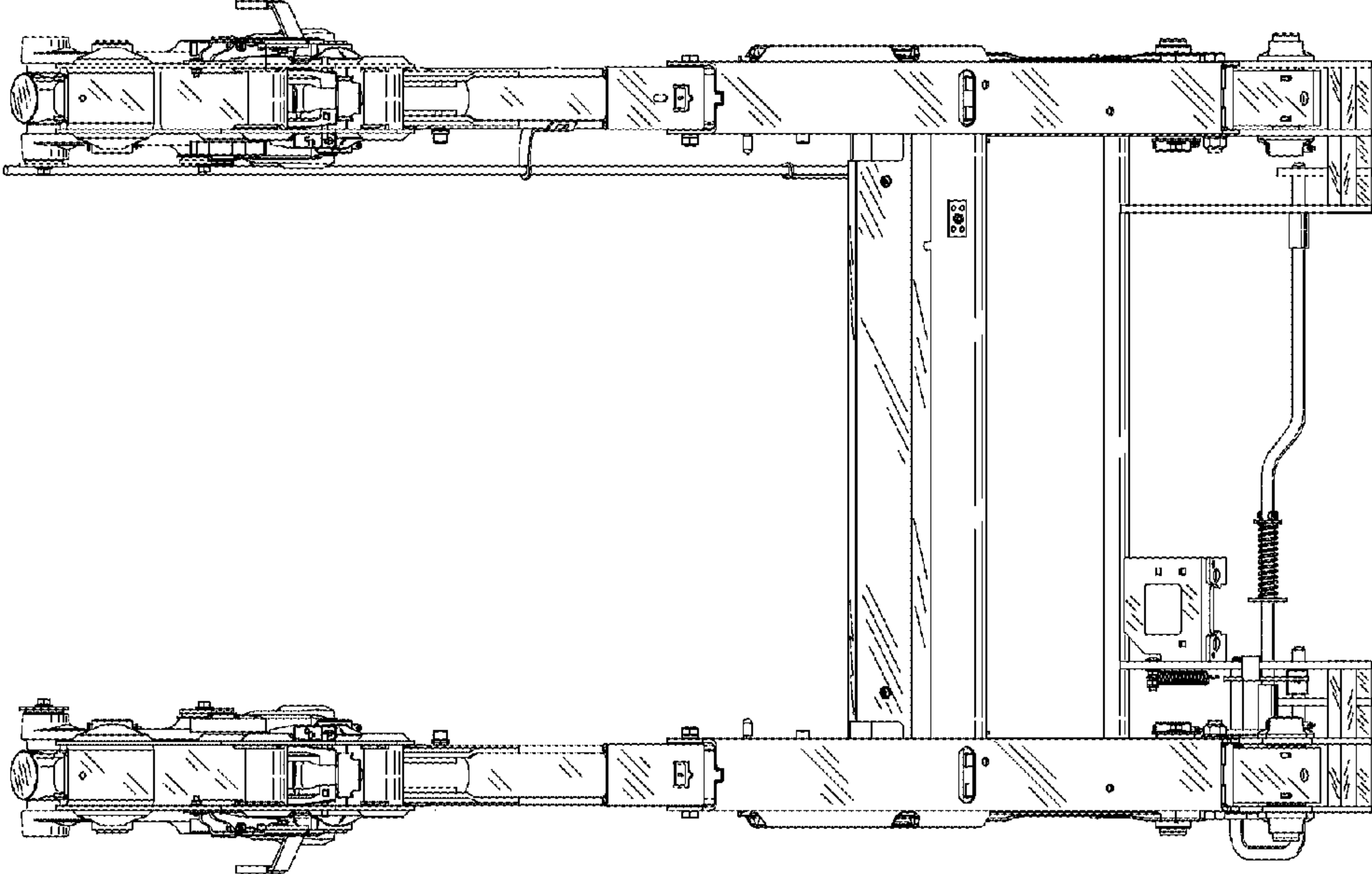


FIG. 6

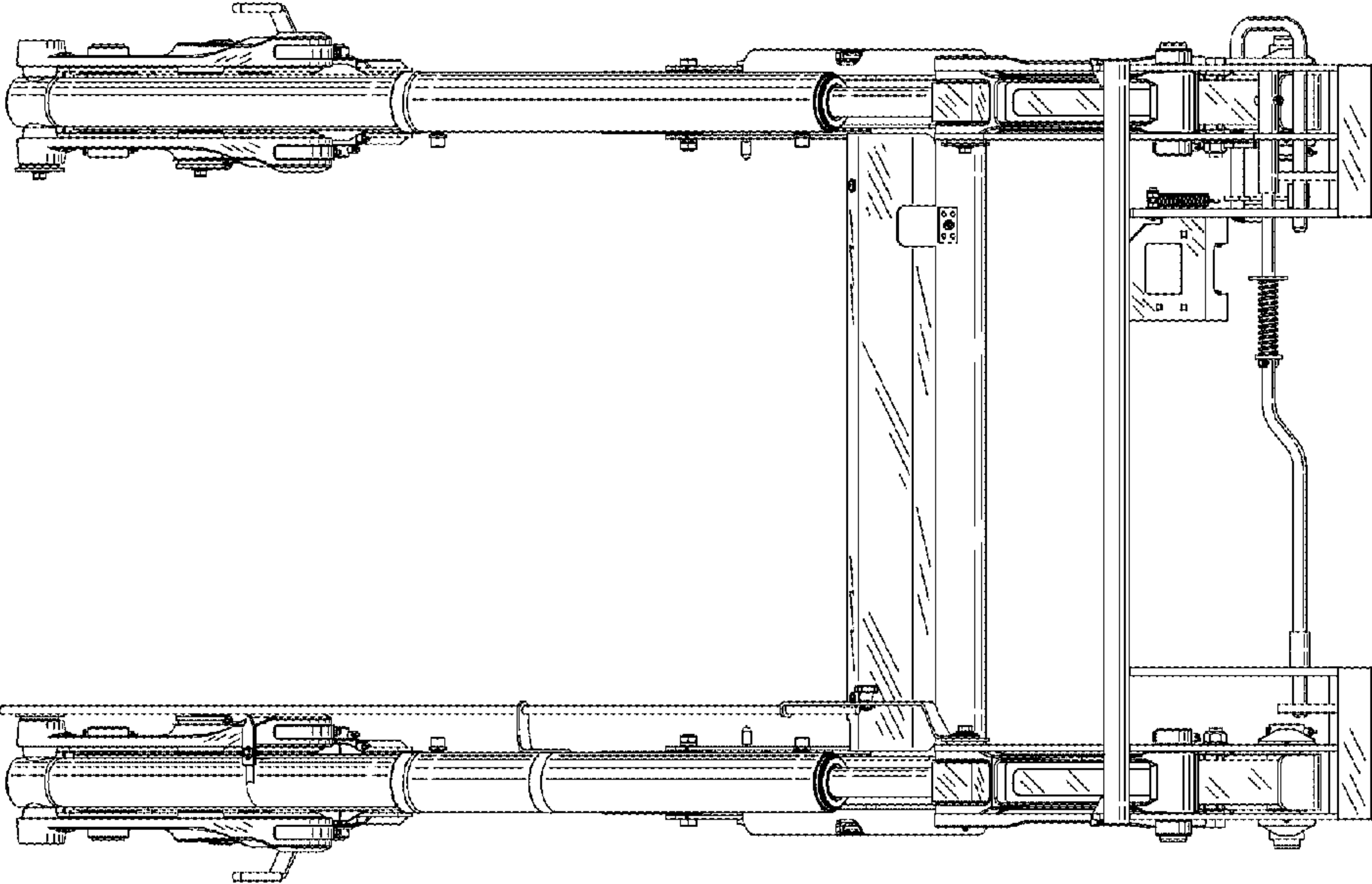


FIG. 7