



US00D766342S

(12) **United States Design Patent** (10) **Patent No.:** **US D766,342 S**  
**Esqueda et al.** (45) **Date of Patent:** **\*\* Sep. 13, 2016**

(54) **FRONTLOADER**

(71) Applicant: **Deere & Company**, Moline, IL (US)

(72) Inventors: **Daniel Esqueda**, Monterrey (MX);  
**Israel Priego**, Monterrey (MX);  
**Mauricio De La Garza**, Monterrey (MX)

(73) Assignee: **DEERE & COMPANY**, Moline, IL (US)

(\*\*) Term: **14 Years**

(21) Appl. No.: **29/512,678**

(22) Filed: **Dec. 22, 2014**

(30) **Foreign Application Priority Data**

Jun. 23, 2014 (EM) ..... 001414767

(51) **LOC (10) Cl.** ..... **15-03**

(52) **U.S. Cl.**  
USPC ..... **D15/32; D15/28**

(58) **Field of Classification Search**  
USPC ..... D15/10, 22-26, 28, 29, 32; 414/686,  
414/694, 722, 718, 815, 723, 685, 724;  
37/341, 407, 468  
CPC ..... E02F 9/2275; E02F 3/34; E02F 3/28;  
E02F 3/36; E02F 3/6273; E02F 3/627;  
E02F 3/432; E02F 3/422; E02F 3/3408;  
E02F 3/382; B66C 23/00; A01D 87/0069  
See application file for complete search history.

(56) **References Cited**

U.S. PATENT DOCUMENTS

2,989,199 A \* 6/1961 Hough ..... E02F 3/34  
414/685

4,161,369 A \* 7/1979 Moreno ..... E02F 3/38  
212/347

4,162,872 A \* 7/1979 Grooss ..... E02F 9/006  
414/713

4,576,543 A \* 3/1986 Kuchyt ..... A01D 87/0069  
414/685

D339,813 S \* 9/1993 Houkom ..... D15/32  
5,611,657 A \* 3/1997 Peterson ..... E02F 3/38  
414/686

D405,098 S \* 2/1999 Andrews ..... D15/28  
D410,240 S \* 5/1999 Sasaki ..... D15/32  
D412,913 S \* 8/1999 Sasaki ..... D15/28  
D451,105 S \* 11/2001 Masumoto ..... D15/28  
D459,368 S \* 6/2002 Westendorf ..... D15/32  
D469,448 S \* 1/2003 Bares ..... D15/32  
D507,004 S \* 7/2005 Westendorf ..... D15/32  
D518,075 S \* 3/2006 Westendorf ..... D15/32  
D528,569 S \* 9/2006 Nilsson ..... D15/32  
D529,053 S \* 9/2006 Stender ..... D15/32  
D533,883 S \* 12/2006 Higashikawa ..... D15/32  
7,281,890 B2 \* 10/2007 Friesen ..... E02F 3/6273  
172/275

D562,351 S \* 2/2008 Higashikawa ..... D15/28  
7,451,587 B2 \* 11/2008 Komiya ..... A01D 34/64  
D34/64

D595,746 S \* 7/2009 Iida ..... D15/28  
D598,031 S \* 8/2009 Smith ..... D15/28  
D602,508 S \* 10/2009 Shimomura ..... D15/32  
D628,604 S \* 12/2010 Major ..... D15/28  
D646,306 S \* 10/2011 Bradley ..... D15/28  
D656,164 S \* 3/2012 Nilsson ..... D15/28  
D672,372 S \* 12/2012 Nilsson ..... D15/28  
D739,446 S \* 9/2015 Nilsson ..... D15/32  
2003/0118432 A1 \* 6/2003 Lee ..... B66C 23/64  
414/722

(Continued)

Primary Examiner — Mark Goodwin

(57) **CLAIM**

The ornamental design for a frontloader, design as shown and described.

**DESCRIPTION**

FIG. 1 is the top front and left side perspective view of the frontloader.

FIG. 2 is the left side view of the frontloader.

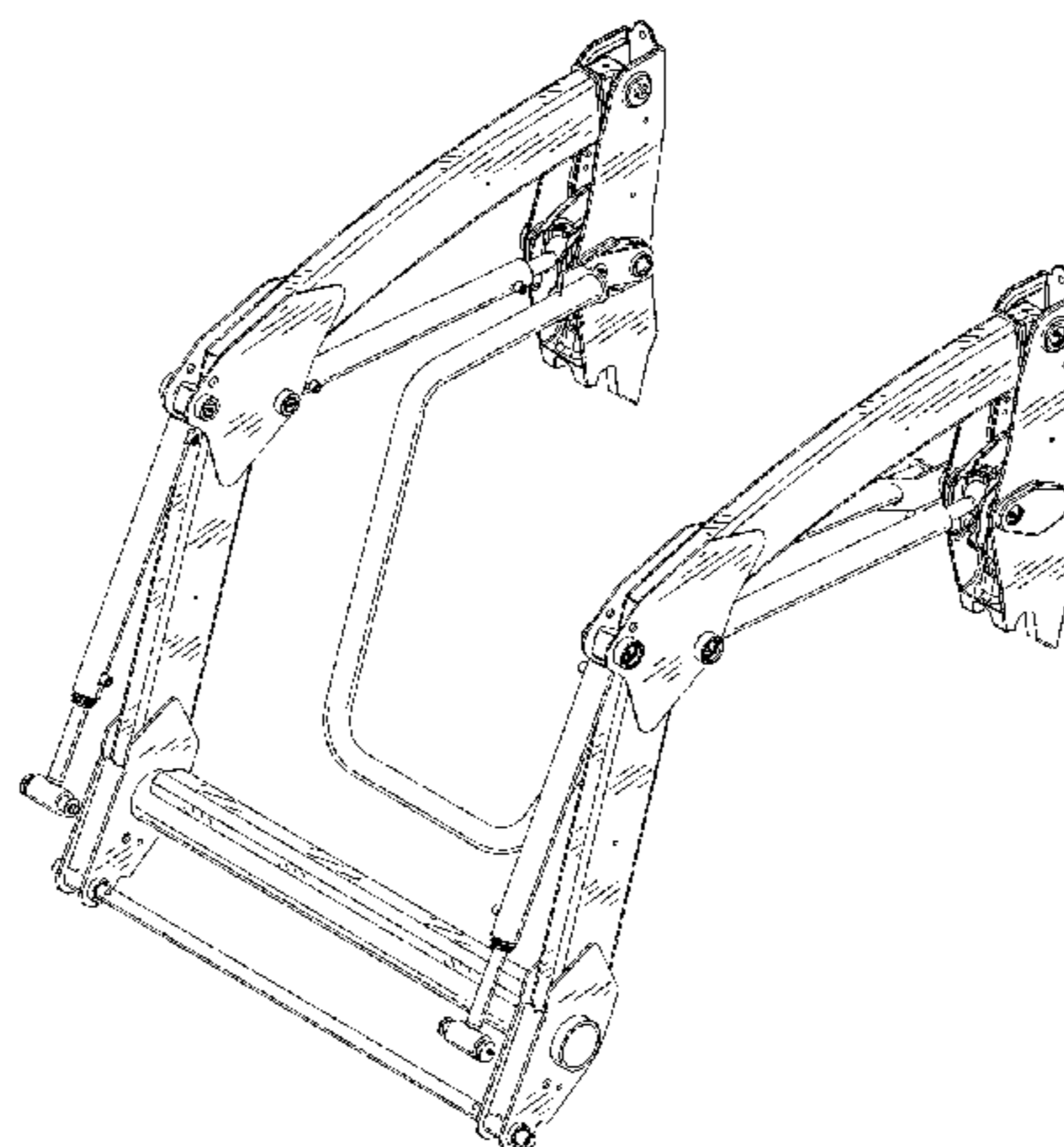
FIG. 3 is the right side view of the frontloader.

FIG. 4 is the front view of the frontloader.

FIG. 5 is the rear view of the frontloader.

FIG. 6 is the top view of the frontloader; and,

FIG. 7 is the bottom view of the frontloader.

**1 Claim, 6 Drawing Sheets**

(56)

**References Cited**

U.S. PATENT DOCUMENTS

2004/0161325	A1*	8/2004	Yoshii .....	E02F 3/964 414/686	2007/0031233	A1*	2/2007	Frey .....	E02F 3/34 414/685
2004/0228717	A1*	11/2004	Perrin .....	A01B 59/062 414/723	2007/0217899	A1*	9/2007	Sakada .....	E02F 3/3408 414/722
2006/0073003	A1*	4/2006	Fukudome .....	E02F 3/627 414/686	2007/0243052	A1*	10/2007	Fukudome .....	E02F 3/382 414/723
2006/0182592	A1*	8/2006	Stender .....	E02F 3/3405 414/686	2007/0292255	A1*	12/2007	Nilsson .....	E02F 3/34 414/686
2006/0245899	A1*	11/2006	Lyons .....	E02F 3/6273 414/686	2008/0063502	A1*	3/2008	Nilsson .....	E02F 3/34 414/685
2007/0020078	A1*	1/2007	Frey .....	E02F 3/38 414/686	2008/0193269	A1*	8/2008	Sakada .....	E02F 3/38 414/722

\* cited by examiner

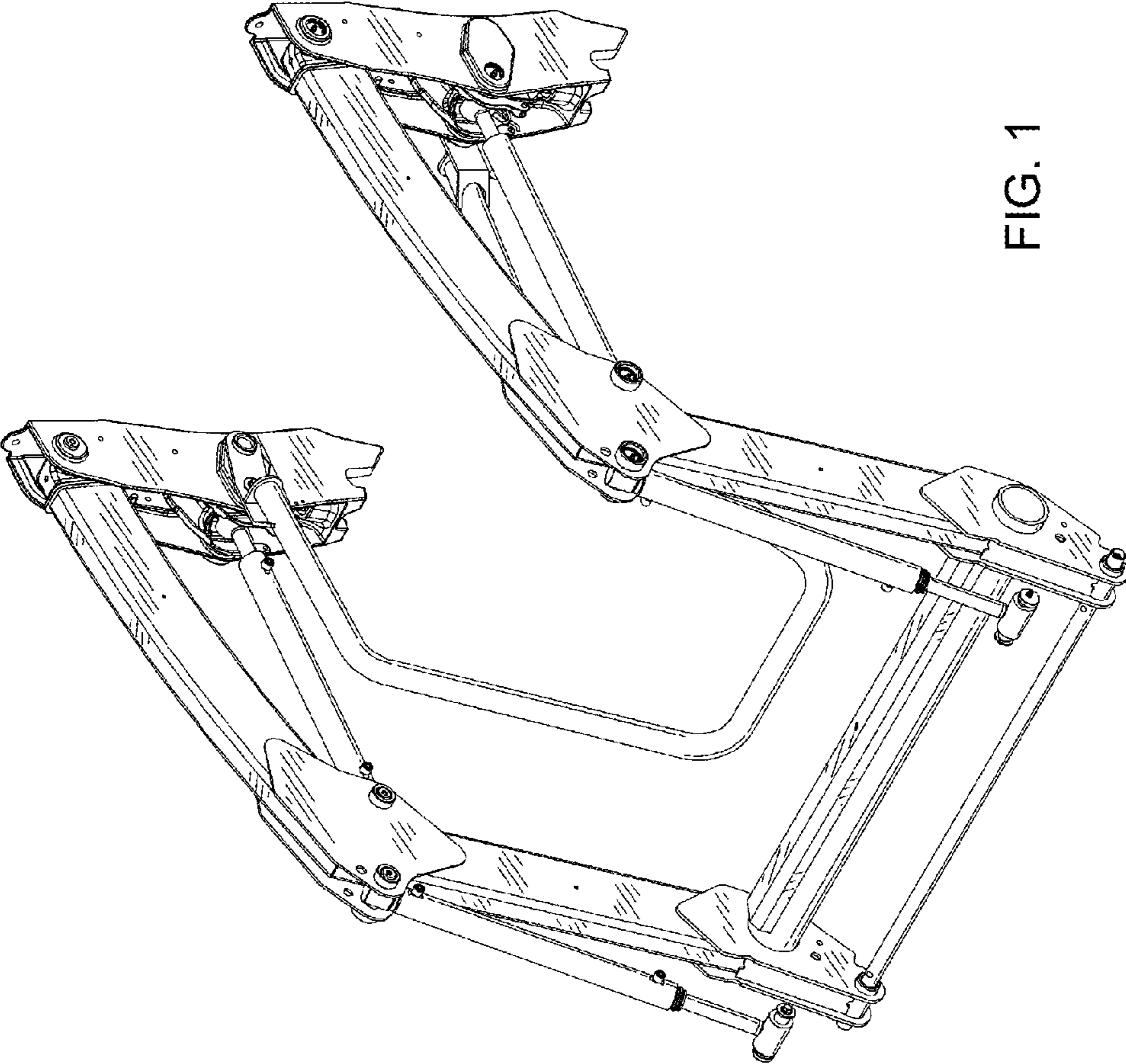


FIG. 1

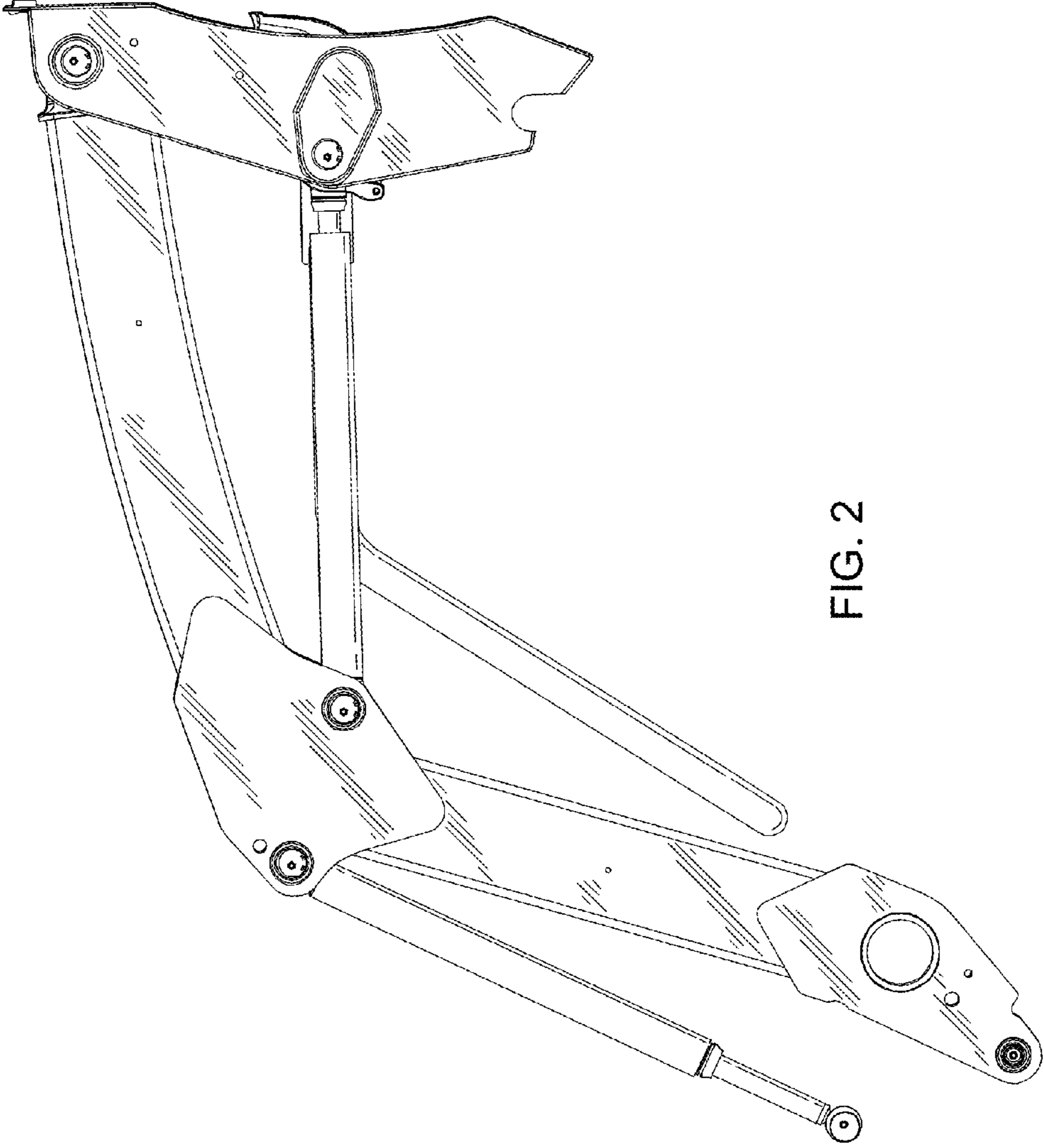


FIG. 2

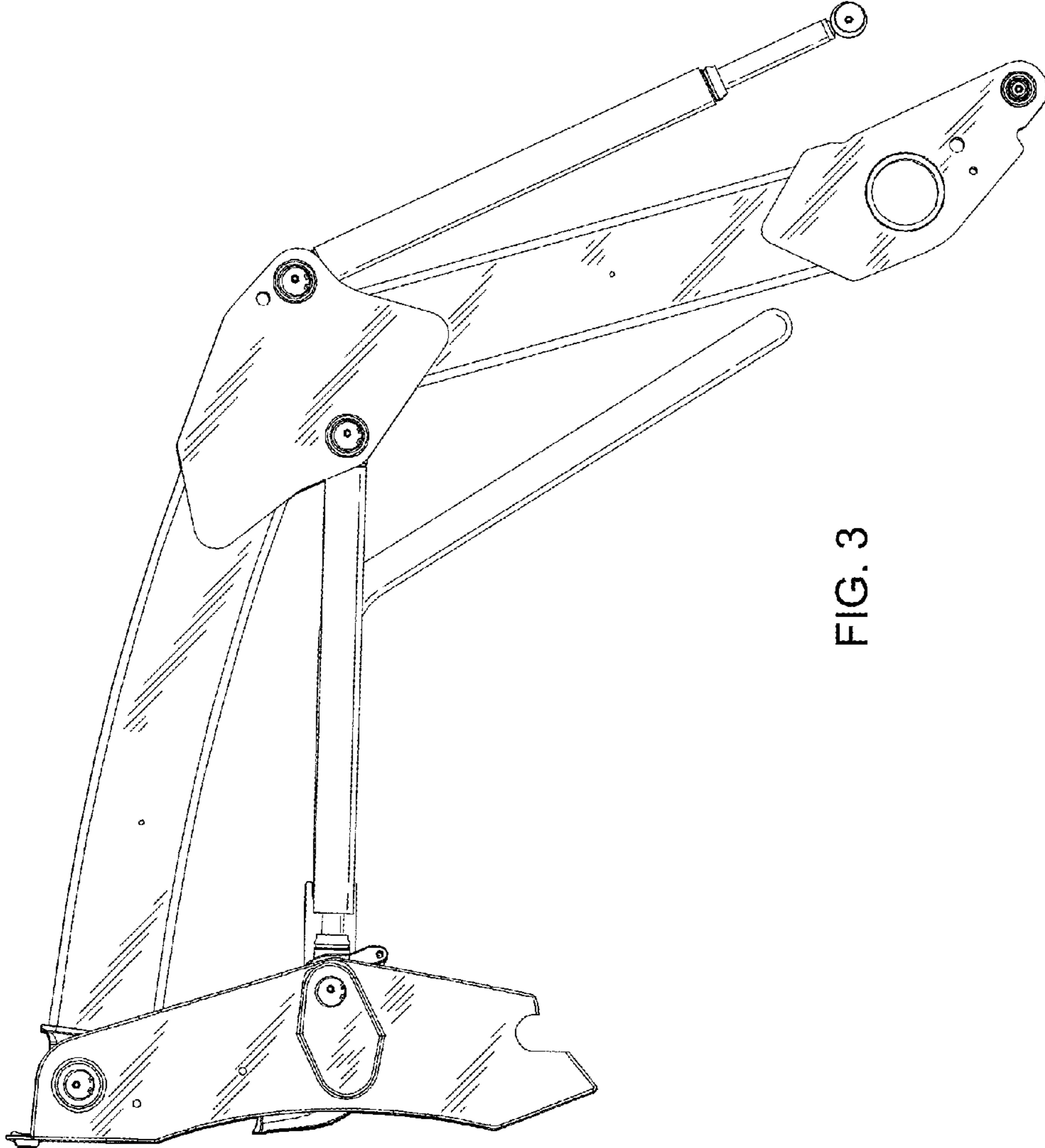


FIG. 3

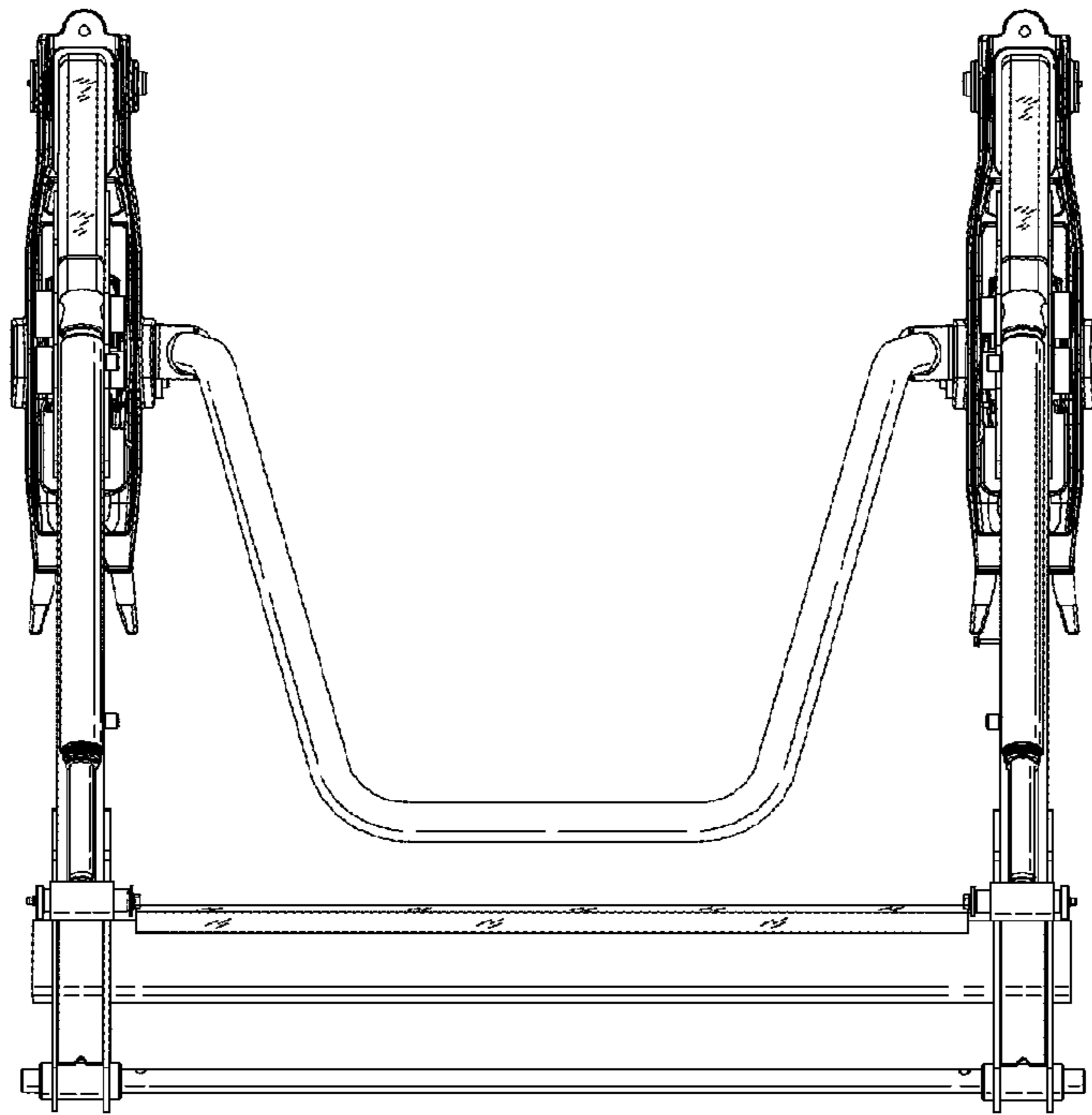


FIG. 4

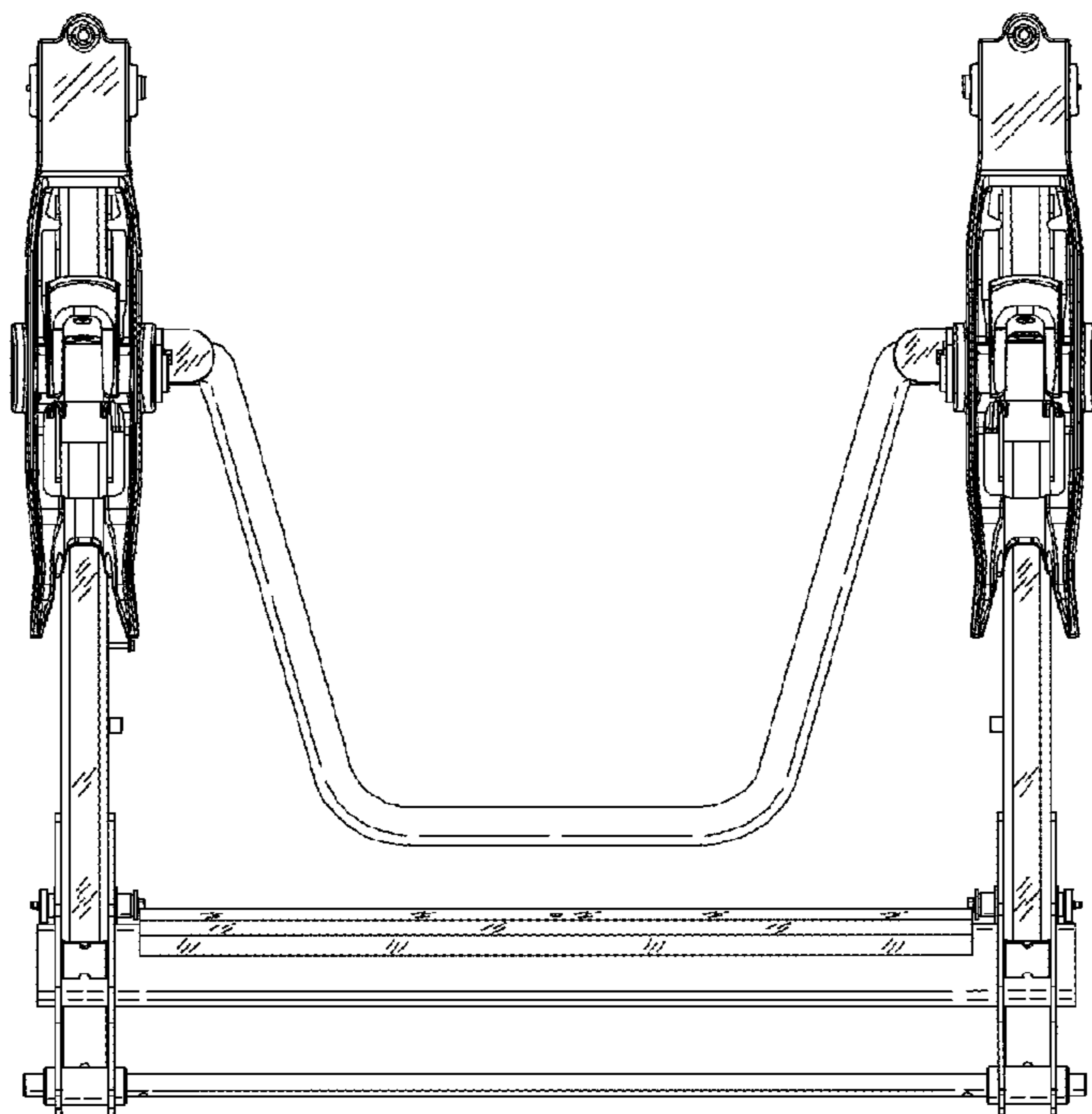


FIG. 5

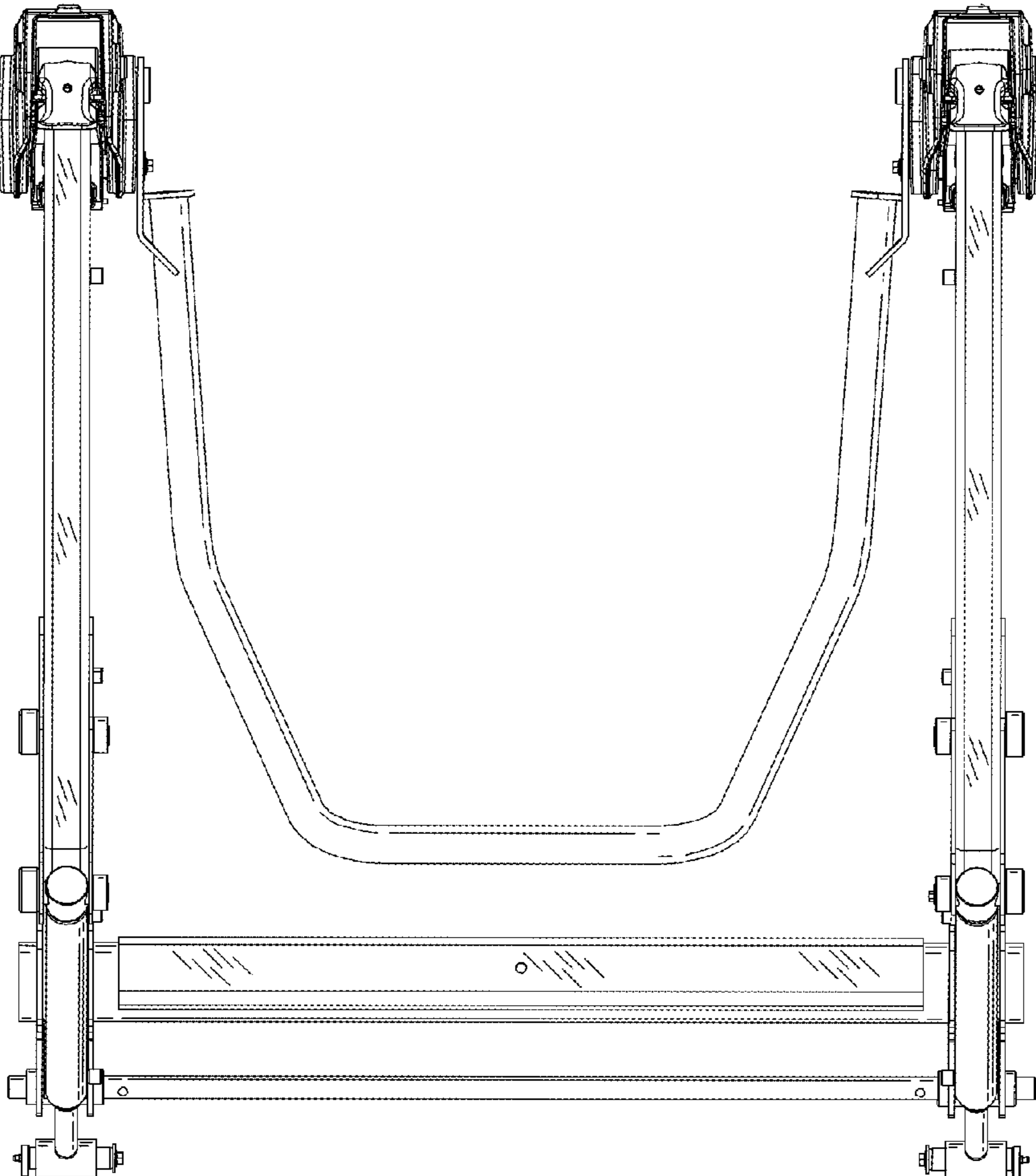


FIG. 6

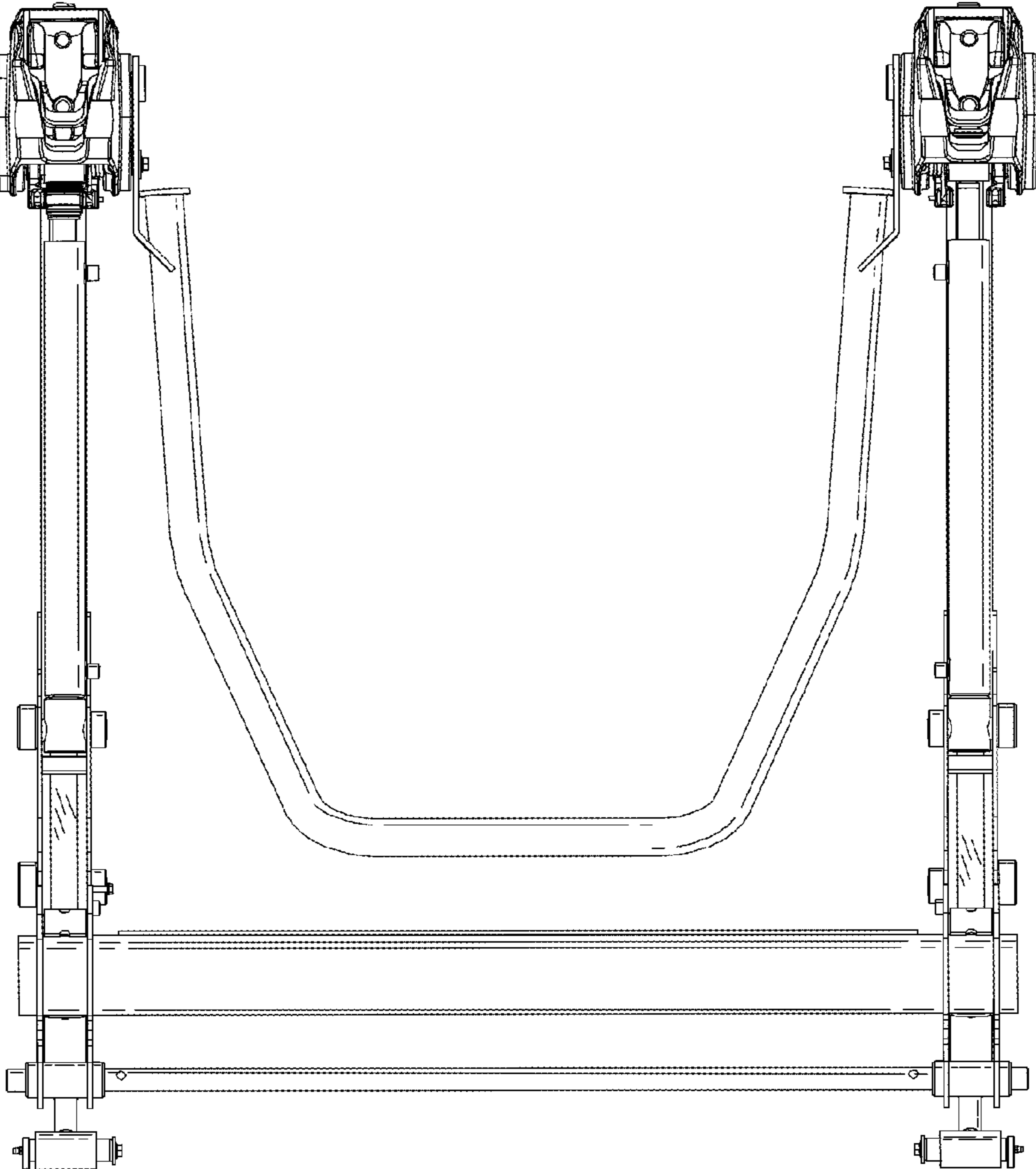


FIG. 7