



US00D766339S

(12) **United States Design Patent**
Hanke et al.

(10) **Patent No.:** **US D766,339 S**

(45) **Date of Patent:** **** Sep. 13, 2016**

(54) **SELF-PROPELLED AGRICULTURAL APPLICATOR**

(71) Applicant: **CNH Industrial America LLC**, New Holland, PA (US)

(72) Inventors: **James L. Hanke**, New Holstein, WI (US); **Karl M. Luebke**, New Holstein, WI (US); **Erik L. Hickman**, Manitowoc, WI (US); **Andrew D. Jacobson**, Manitowoc, WI (US); **Frederic George Kuhn**, Kiel, WI (US); **Gary B. Swetish**, Racine, WI (US); **Mark L. Brenneman**, Burlington, WI (US)

(73) Assignee: **CNH Industrial America LLC**, New Holland, PA (US)

(**) Term: **14 Years**

(21) Appl. No.: **29/525,496**

(22) Filed: **Apr. 30, 2015**

(51) **LOC (10) Cl.** **15-03**

(52) **U.S. Cl.**
USPC **D15/31**

(58) **Field of Classification Search**
USPC D15/10, 11, 13-17, 28, 22-26, 31; D12/173; 180/69.21, 89.1, 89.12, 900, 180/69.2, 68.1, 69.1; 56/13.3, 13.4, 15.8, 56/15.9, 320.1
CPC B62D 25/10; B62D 25/00; B62D 49/00-49/085; B60R 19/52; B60R 21/38; B60K 13/02; B60K 11/08; B60K 11/04; F01P 11/10; F01P 5/06; F01P 2001/005; B60Y 2200/221

See application file for complete search history.

(56) **References Cited**

U.S. PATENT DOCUMENTS

D488,488 S * 4/2004 Montgomery D15/31
D546,351 S * 7/2007 Arthur D15/31

D586,828 S * 2/2009 Staines D15/31
D591,777 S * 5/2009 Kokitkar D15/31
D596,205 S * 7/2009 Kawashiri D15/31
D620,955 S * 8/2010 Krogh D15/31
D624,944 S * 10/2010 Major D15/31
D631,489 S * 1/2011 Booth D15/31
D632,312 S * 2/2011 Booth D15/31
D642,598 S * 8/2011 Wikner D15/31
D655,318 S * 3/2012 Hagele D15/31
D668,695 S * 10/2012 Ringer D15/31
D675,233 S * 1/2013 Kushita D15/31
D680,562 S * 4/2013 Park D15/31
D715,332 S * 10/2014 Kuwae D15/28
D720,874 S * 1/2015 Jackson D15/28

(Continued)

Primary Examiner — Mark Goodwin

(74) *Attorney, Agent, or Firm* — Rebecca L. Henkel

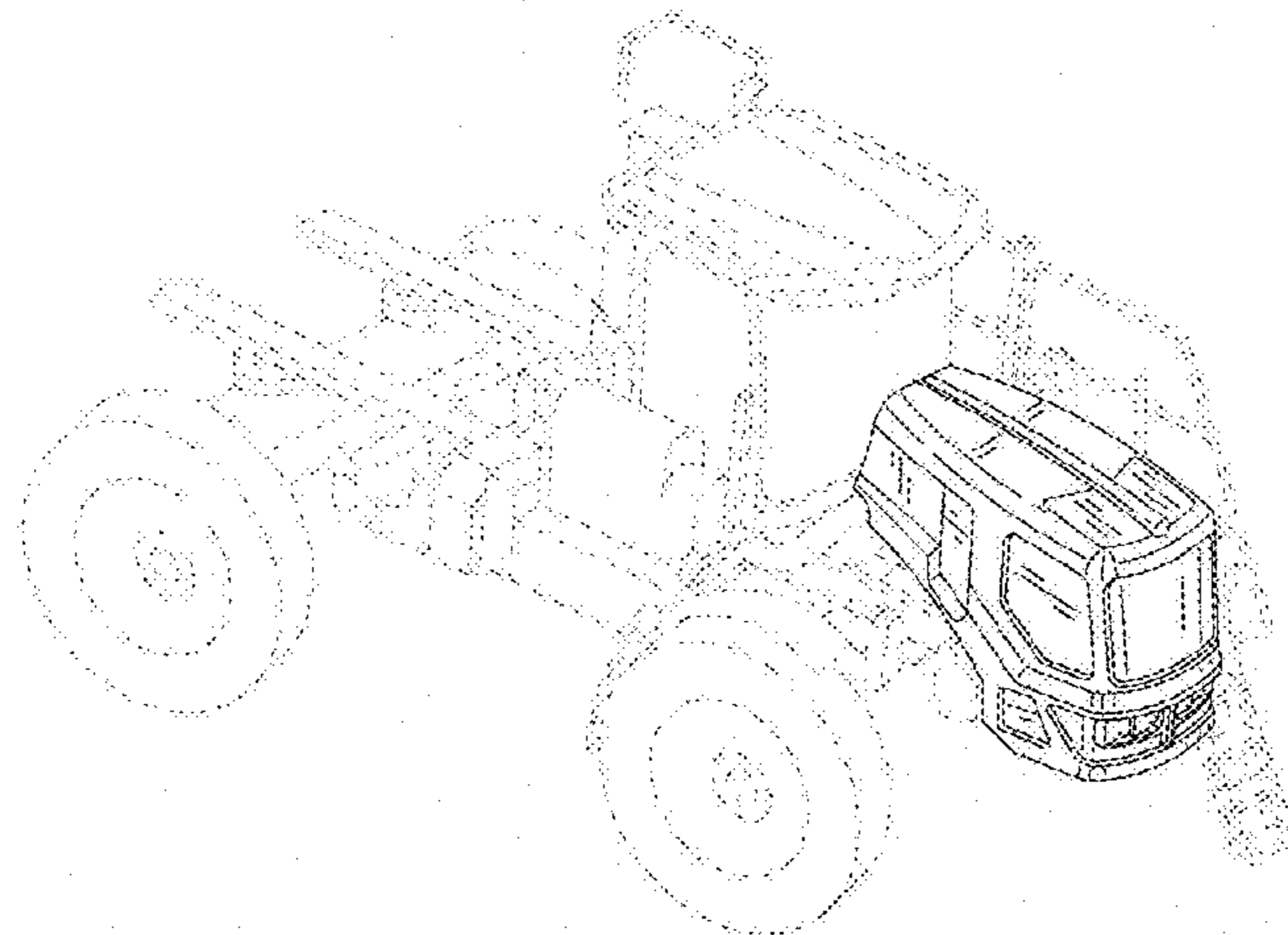
(57) **CLAIM**

The ornamental design for a self-propelled applicator hood, as shown and described.

DESCRIPTION

FIG. 1 is an isometric view of a self-propelled agricultural applicator in accordance with the present invention; FIG. 2 is a front elevation view of the self-propelled agricultural applicator of FIG. 1; FIG. 3 is a side elevation of a first side of the self-propelled agricultural applicator of FIG. 1; FIG. 4 is a top plan view of the self-propelled agricultural applicator of FIG. 1; FIG. 5 is a side elevation of a second side of the self-propelled agricultural applicator of FIG. 1; FIG. 6 is a rear elevation view of the self-propelled agricultural applicator of FIG. 1; FIG. 7 is another isometric view of a self-propelled agricultural applicator in accordance with the present invention; FIG. 8 is a top plan view of the self-propelled agricultural applicator of FIG. 7; and, FIG. 9 is another isometric view of a self-propelled agricultural applicator in accordance with the present invention.

1 Claim, 9 Drawing Sheets



US D766,339 S

Page 2

(56)

References Cited

U.S. PATENT DOCUMENTS

D721,105 S *	1/2015	Okuyama	D15/31	
D729,282 S *	5/2015	Sasaki	D15/31	* cited by examiner
D733,767 S *	7/2015	Kushita	D15/31	
D735,248 S *	7/2015	Okuyama	D15/31	
D735,775 S *	8/2015	Okuyama	D15/31	

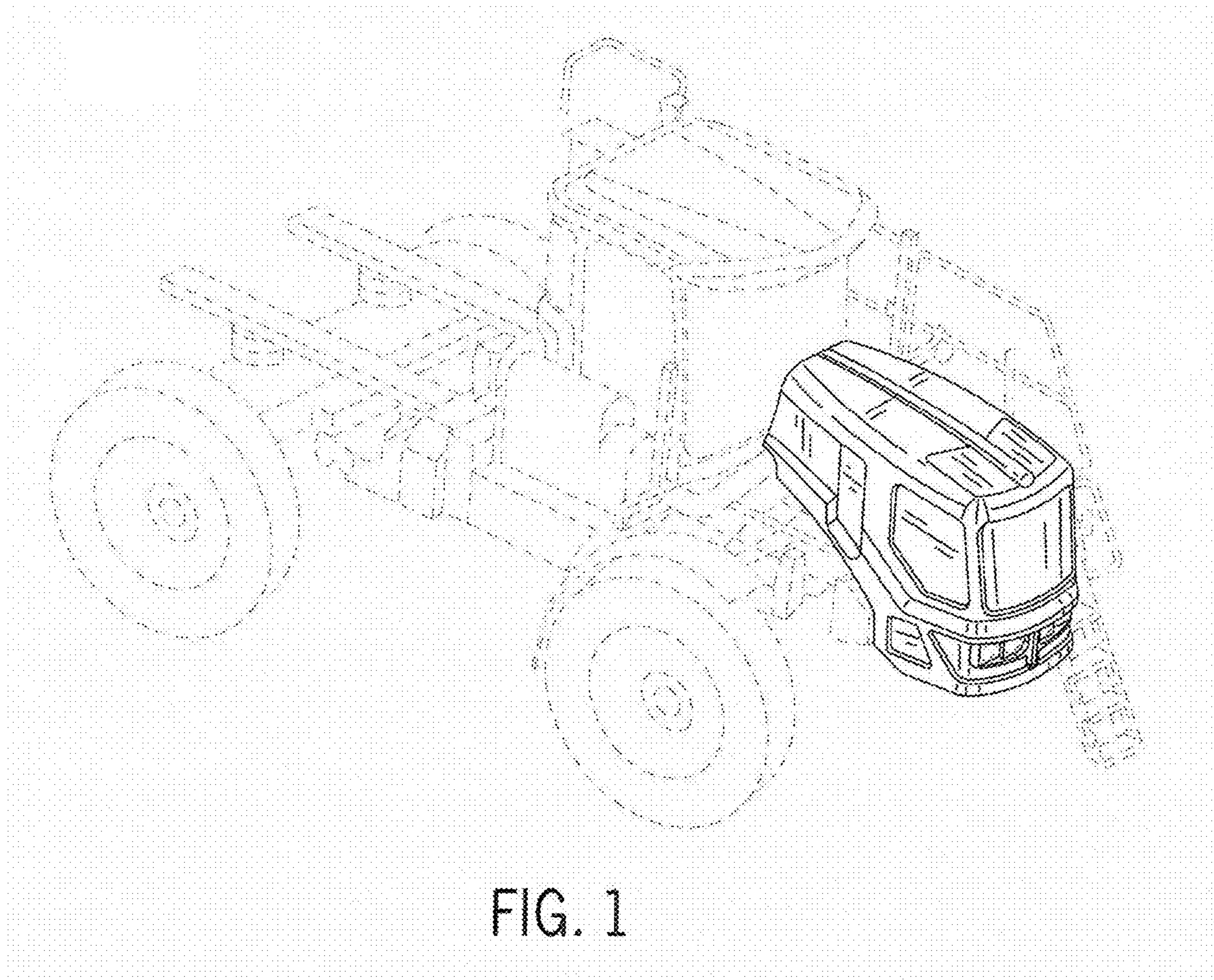


FIG. 1

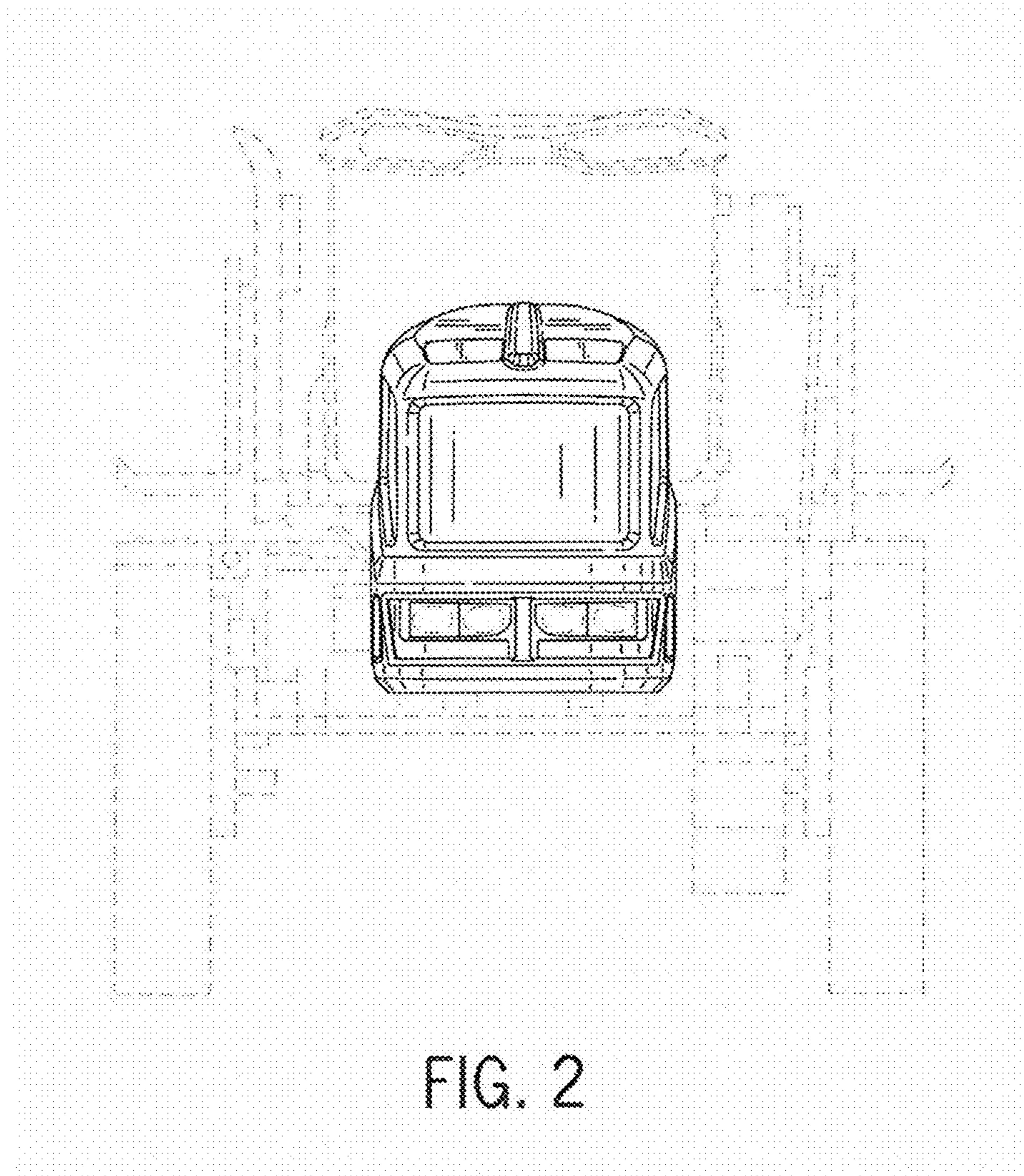


FIG. 2

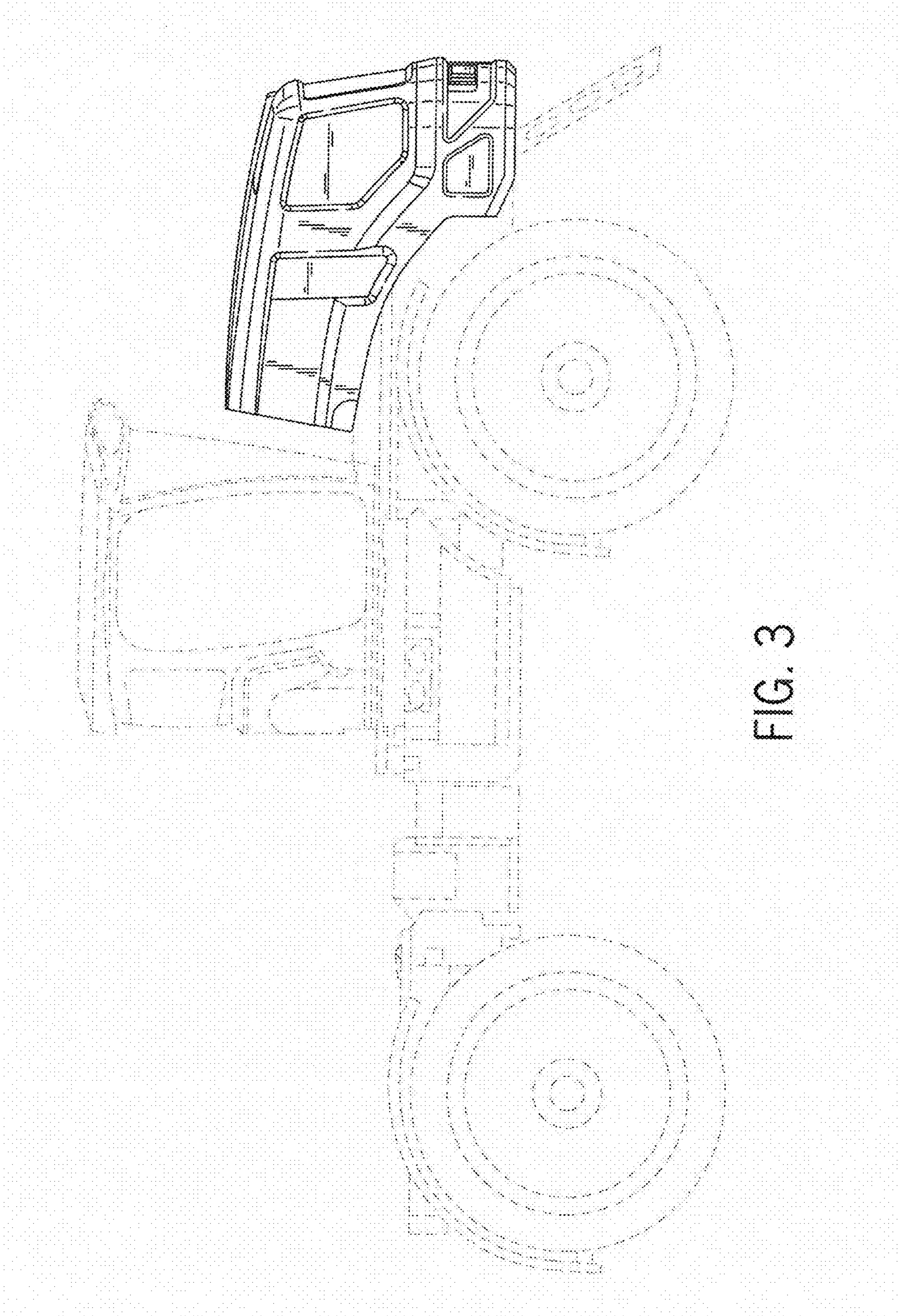


FIG. 3

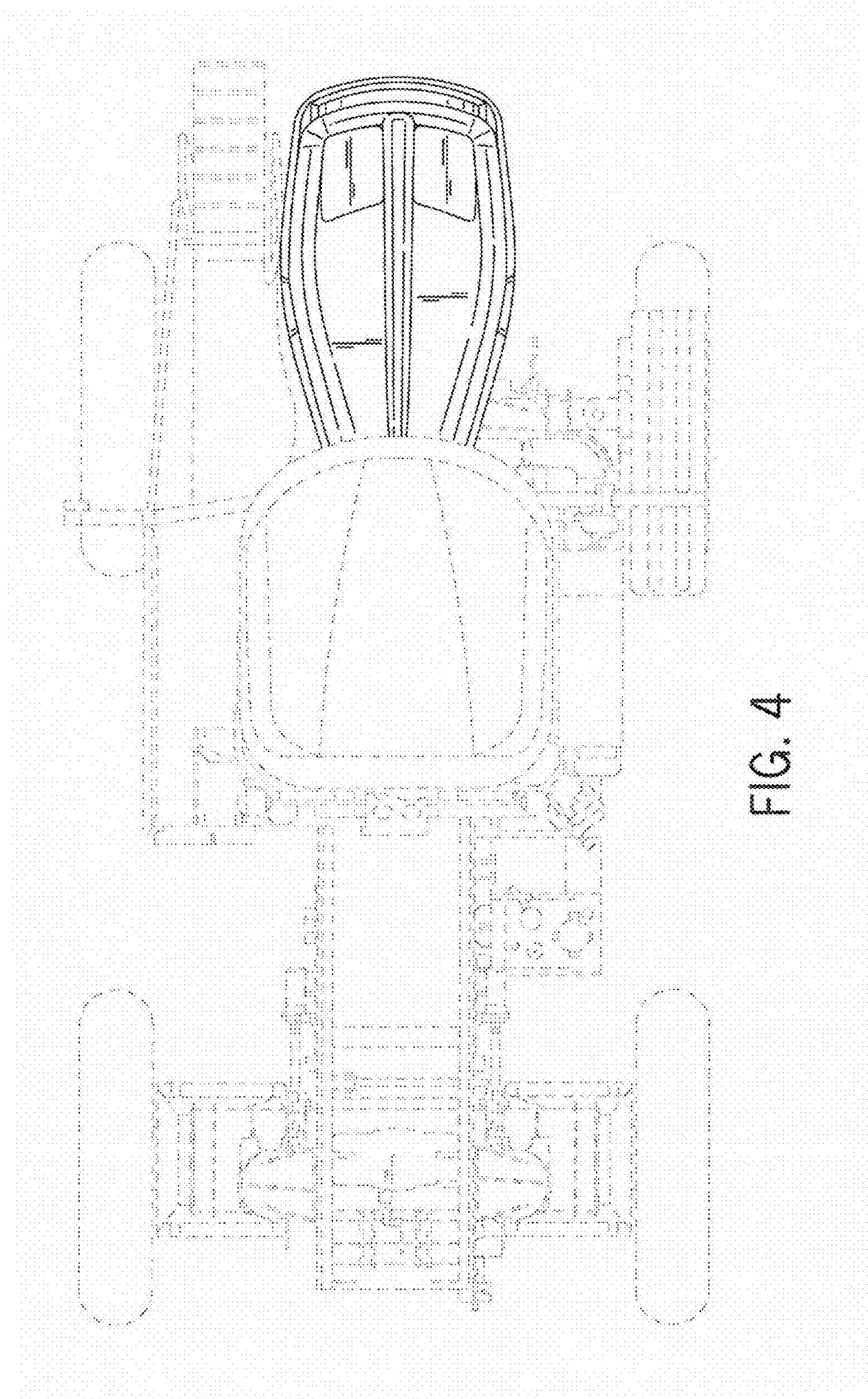


FIG. 4

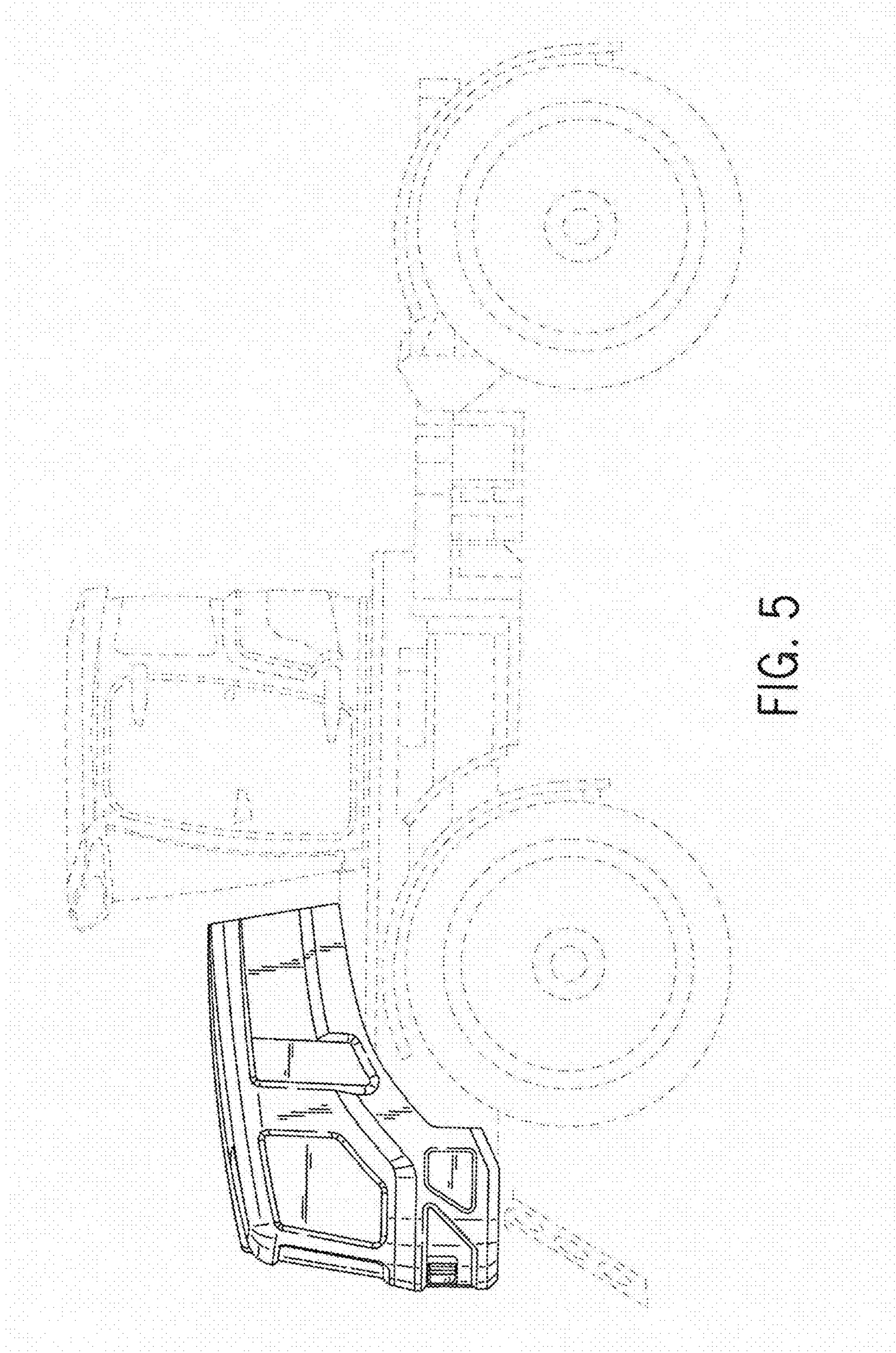
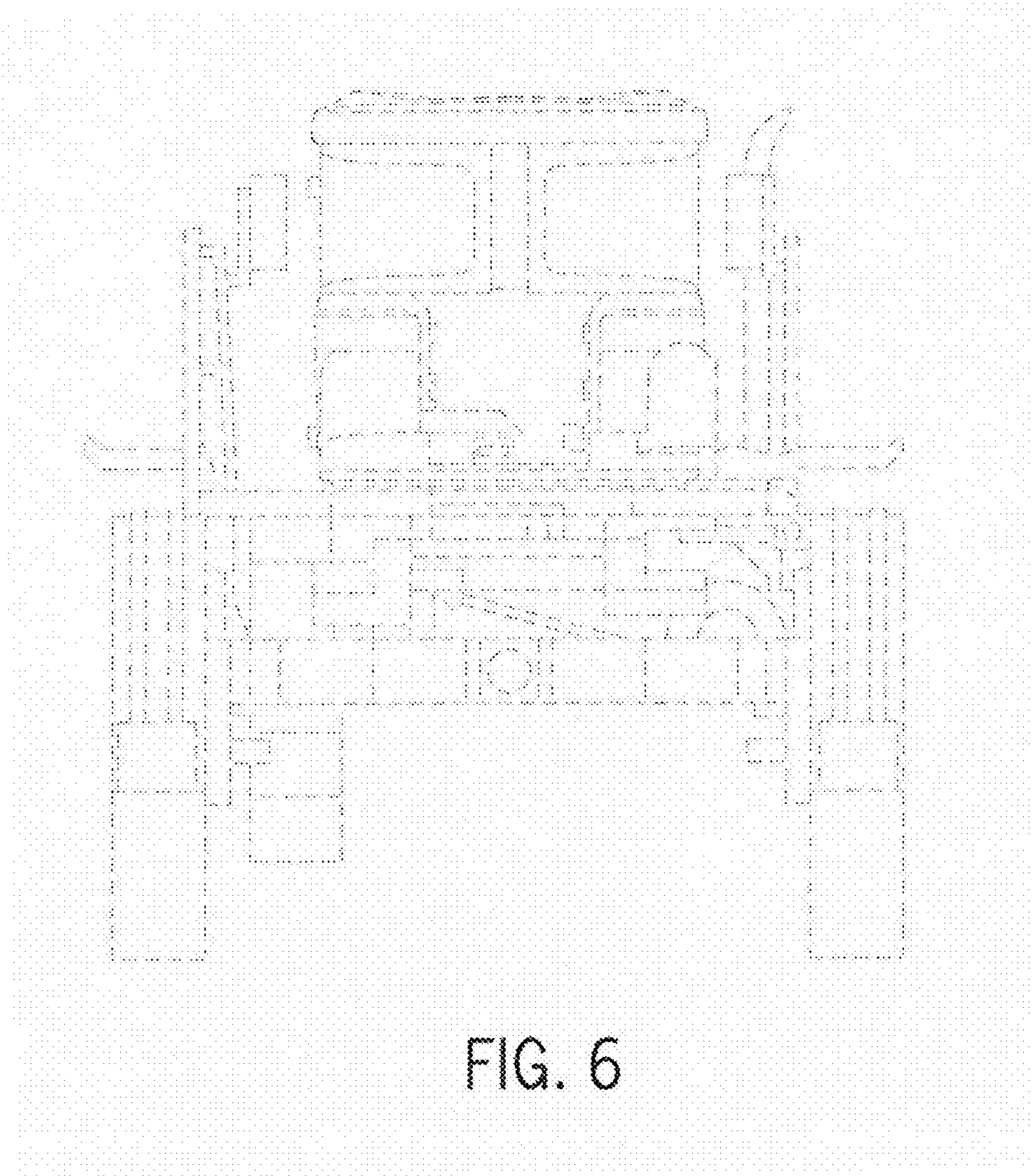


FIG. 5



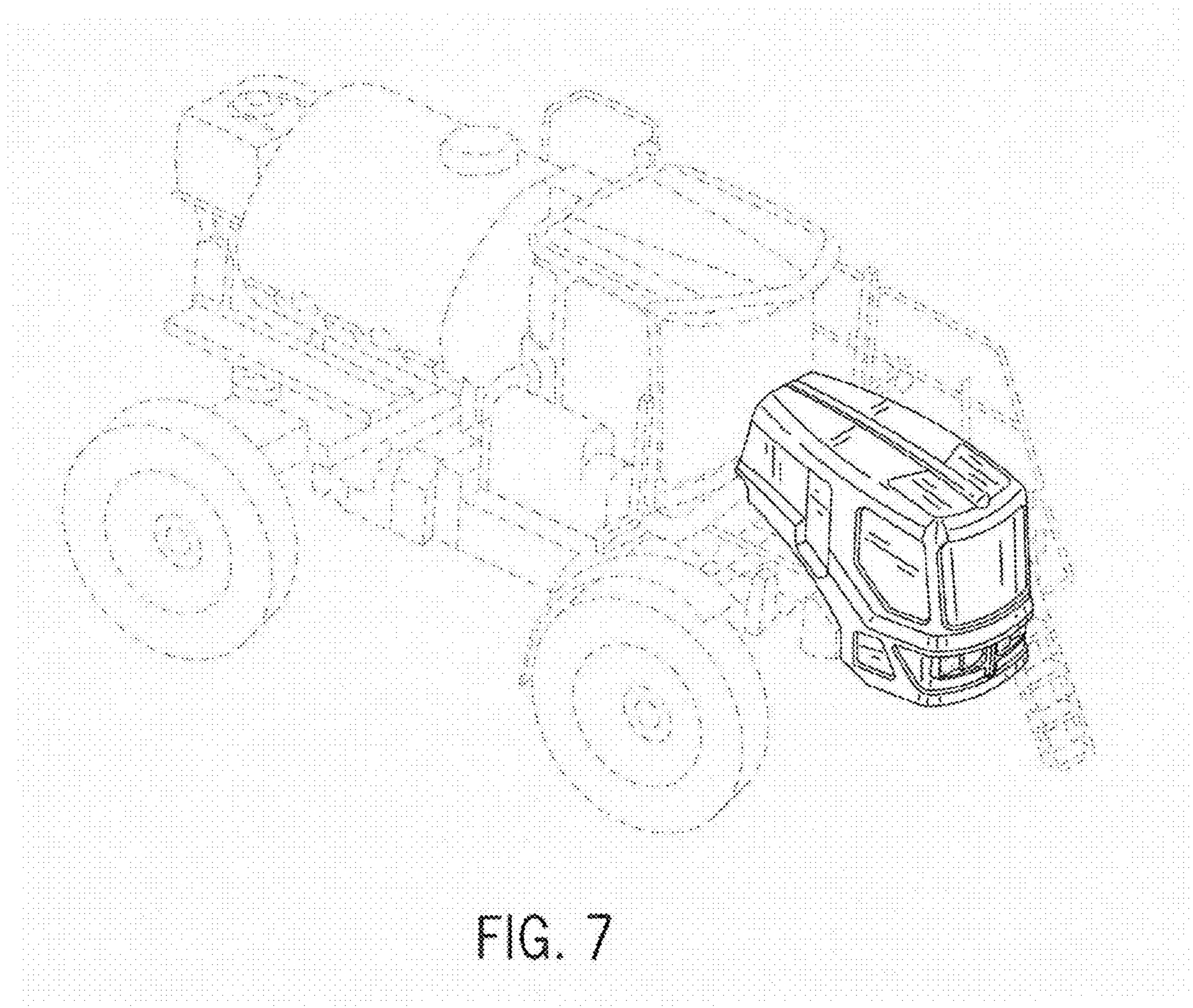


FIG. 7

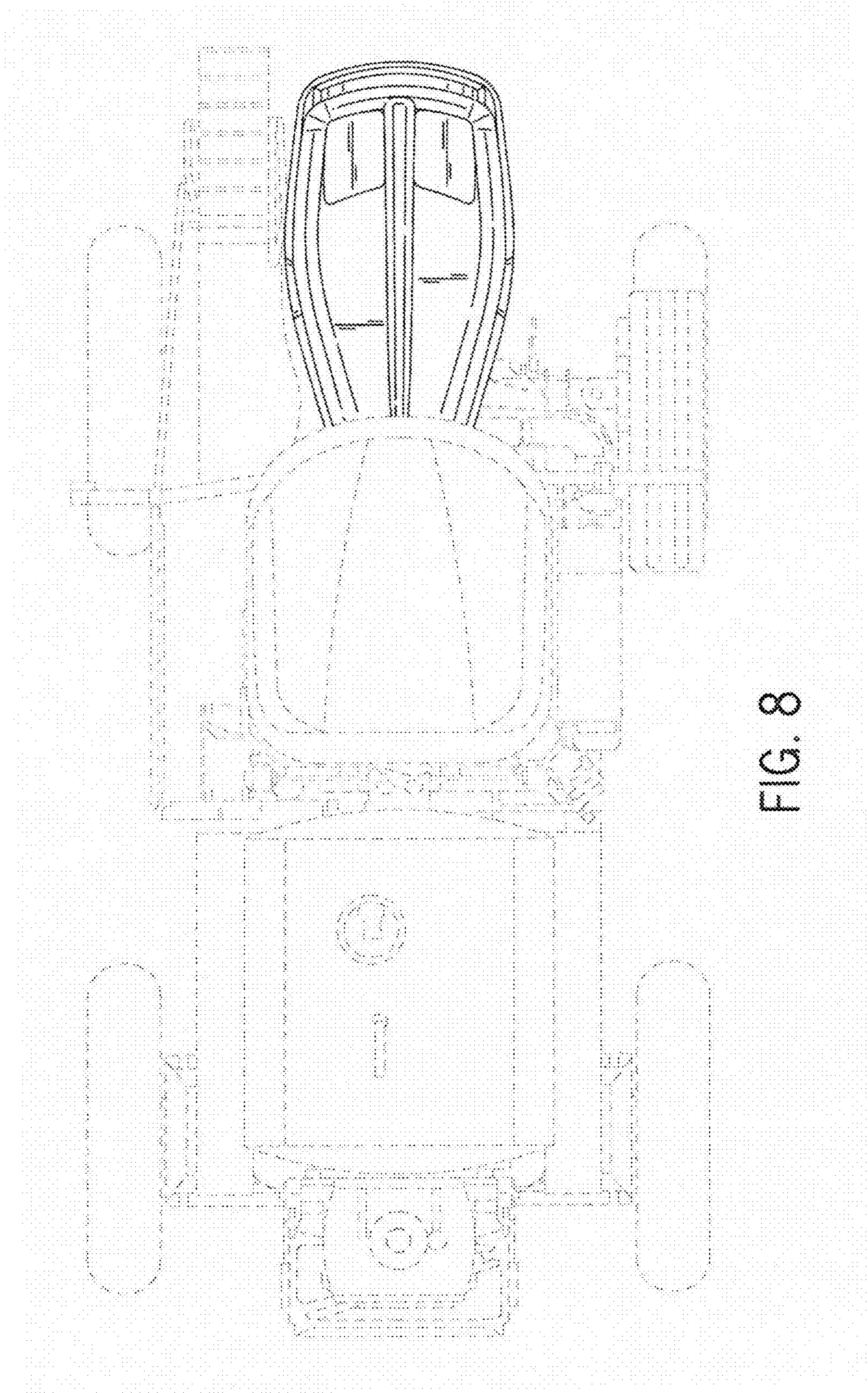


FIG. 8

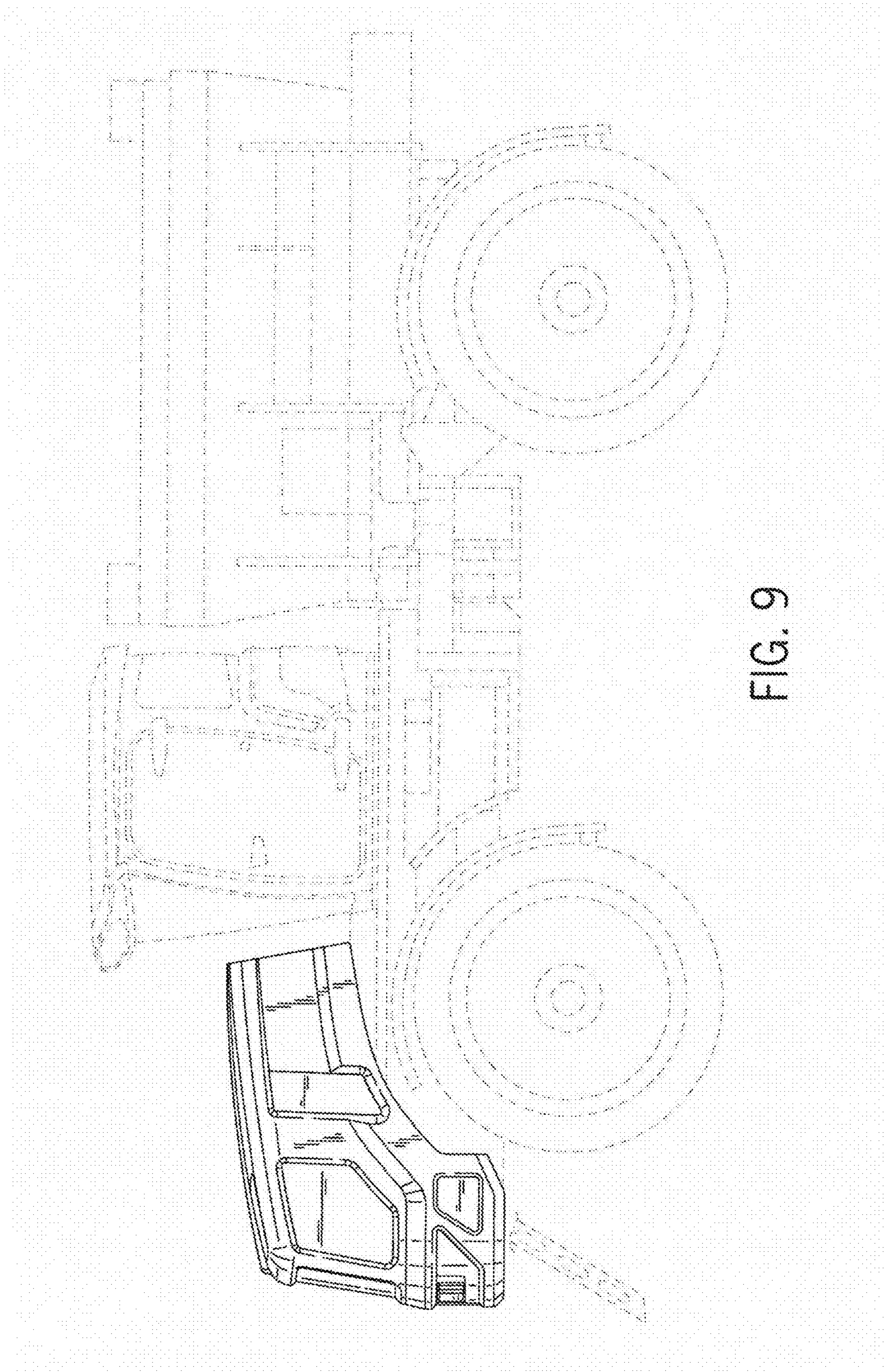


FIG. 9