

US00D766338S

(12) **United States Design Patent** (10) **Patent No.:** **US D766,338 S**
Kurokawa et al. (45) **Date of Patent:** **** Sep. 13, 2016**

(54) **TRACTOR**
(71) Applicant: **YANMAR CO., LTD.**, Osaka-shi,
Osaka (JP)
(72) Inventors: **Yoshiaki Kurokawa**, Osaka (JP);
Fumio Ishibashi, Osaka (JP)
(73) Assignee: **Yanmar Co., Ltd.**, Osaka (JP)
(**) Term: **14 Years**
(21) Appl. No.: **29/523,840**
(22) Filed: **Apr. 14, 2015**

D591,777 S * 5/2009 Kokitkar D15/31
D596,205 S * 7/2009 Kawashiri D15/31
D620,955 S * 8/2010 Krogh D15/31
D624,944 S * 10/2010 Major D15/31
D631,489 S * 1/2011 Booth D15/31
D632,312 S * 2/2011 Booth D15/31
D642,598 S * 8/2011 Wikner D15/31
D655,318 S * 3/2012 Hagele D15/31
D668,695 S * 10/2012 Ringer D15/31
D675,233 S * 1/2013 Kushita D15/31
D680,562 S * 4/2013 Park D15/31
D715,332 S * 10/2014 Kuwae D15/31
D720,874 S * 1/2015 Jackson D15/31
D721,105 S * 1/2015 Okuyama D15/28
D729,282 S * 5/2015 Sasaki D15/28
D733,767 S * 7/2015 Kushita D15/31
D735,248 S * 7/2015 Okuyama D15/31
D735,775 S * 8/2015 Okuyama D15/31

(30) **Foreign Application Priority Data**
Oct. 15, 2014 (JP) D2014-023121
(51) **LOC (10) Cl.** **15-03**
(52) **U.S. Cl.**
USPC **D15/31**
(58) **Field of Classification Search**
USPC D15/10, 11, 13-17, 28, 22-26, 31;
D12/173; 180/69.21, 89.1, 89.12, 900,
180/69.2, 68.1, 69.1; 56/13.3, 13.4, 15.8,
56/15.9, 320.1
CPC B62D 25/10; B62D 25/00; B62D
49/00-49/085; B60R 19/52; B60R 21/38;
B60K 13/02; B60K 11/08; B60K 11/04;
F01P 11/10; F01P 5/06; F01P 2001/005;
B60Y 2200/221
See application file for complete search history.

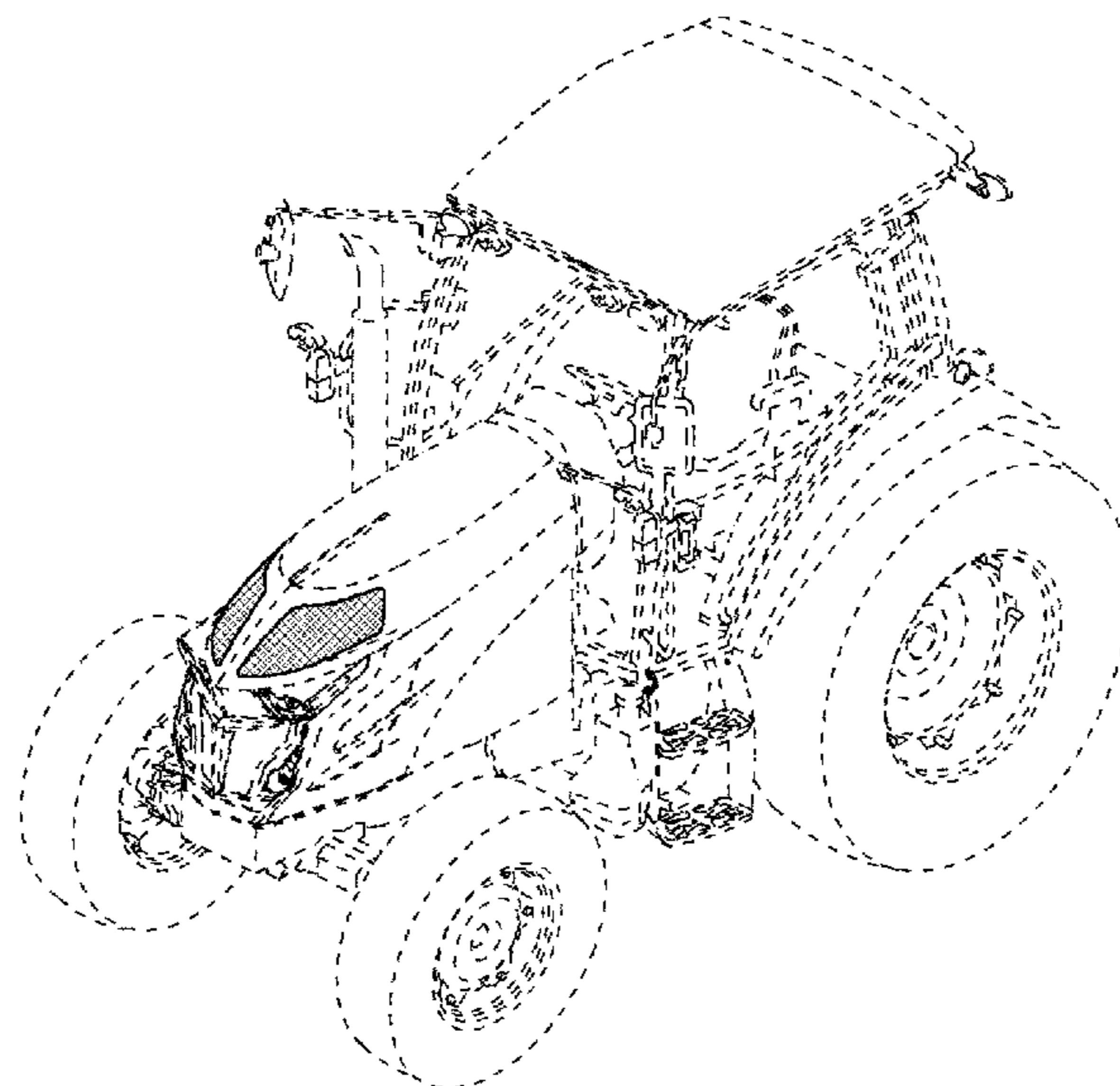
* cited by examiner
Primary Examiner — Mark Goodwin
(74) *Attorney, Agent, or Firm* — Sterne, Kessler, Goldstein
& Fox P.L.L.C.

(56) **References Cited**
U.S. PATENT DOCUMENTS
D488,488 S * 4/2004 Montgomery D15/31
D546,351 S * 7/2007 Arthur D15/31
D586,828 S * 2/2009 Staines D15/31

(57) **CLAIM**
The ornamental design for a tractor, as shown and described.

DESCRIPTION
FIG. 1 is a top perspective view of a tractor showing our new design;
FIG. 2 is a front view thereof;
FIG. 3 is a rear view thereof;
FIG. 4 is a top plan view thereof;
FIG. 5 is a bottom plan view thereof;
FIG. 6 is a left side view thereof; and,
FIG. 7 is a right side view thereof.
The broken lines in the Figures show portions of the tractor that form no part of the claimed design.
The gray shading in the Figures shows portions of the tractor that contain outside air inlets and not surface ornamentation.

1 Claim, 7 Drawing Sheets



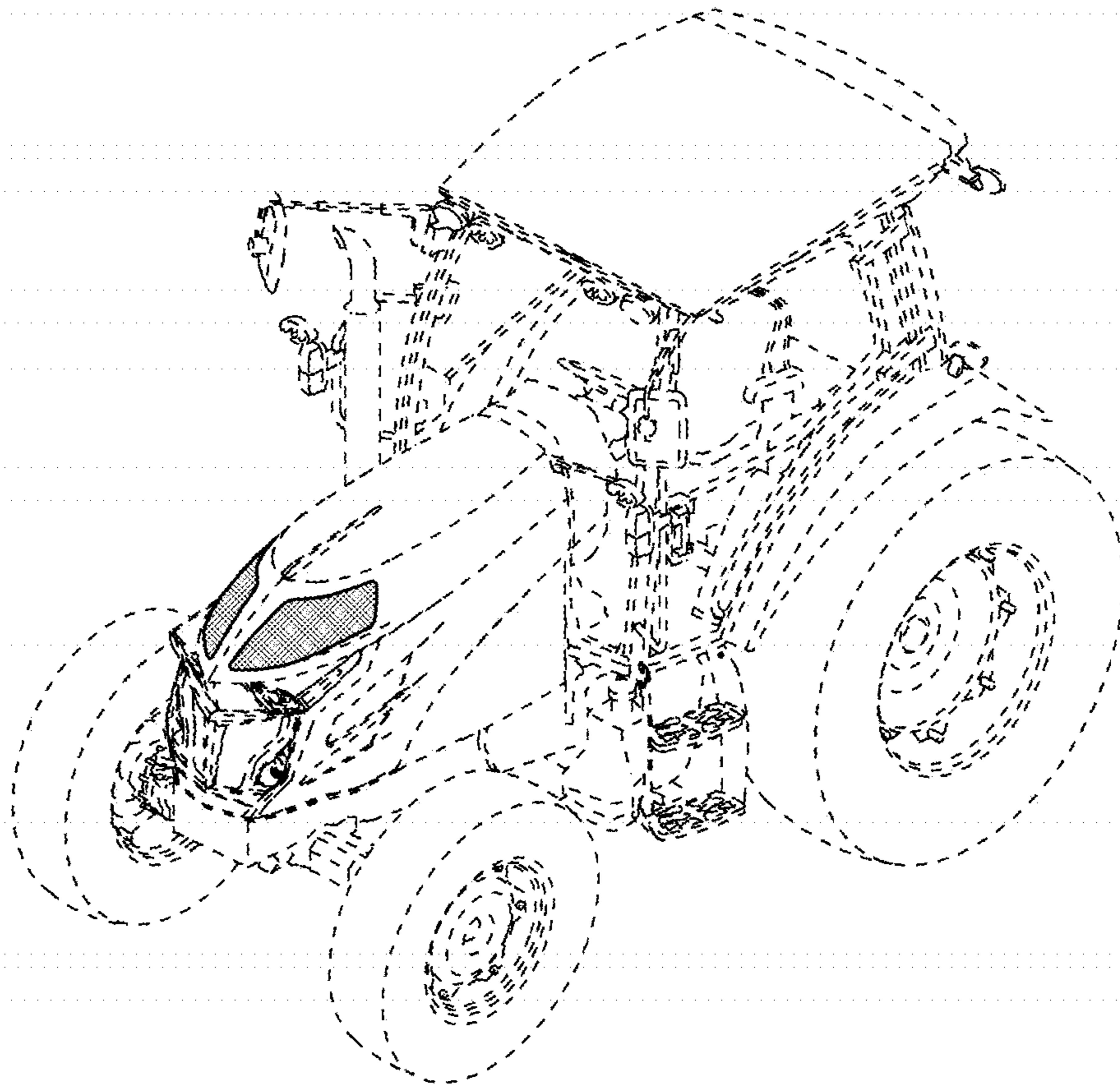


FIG. 1

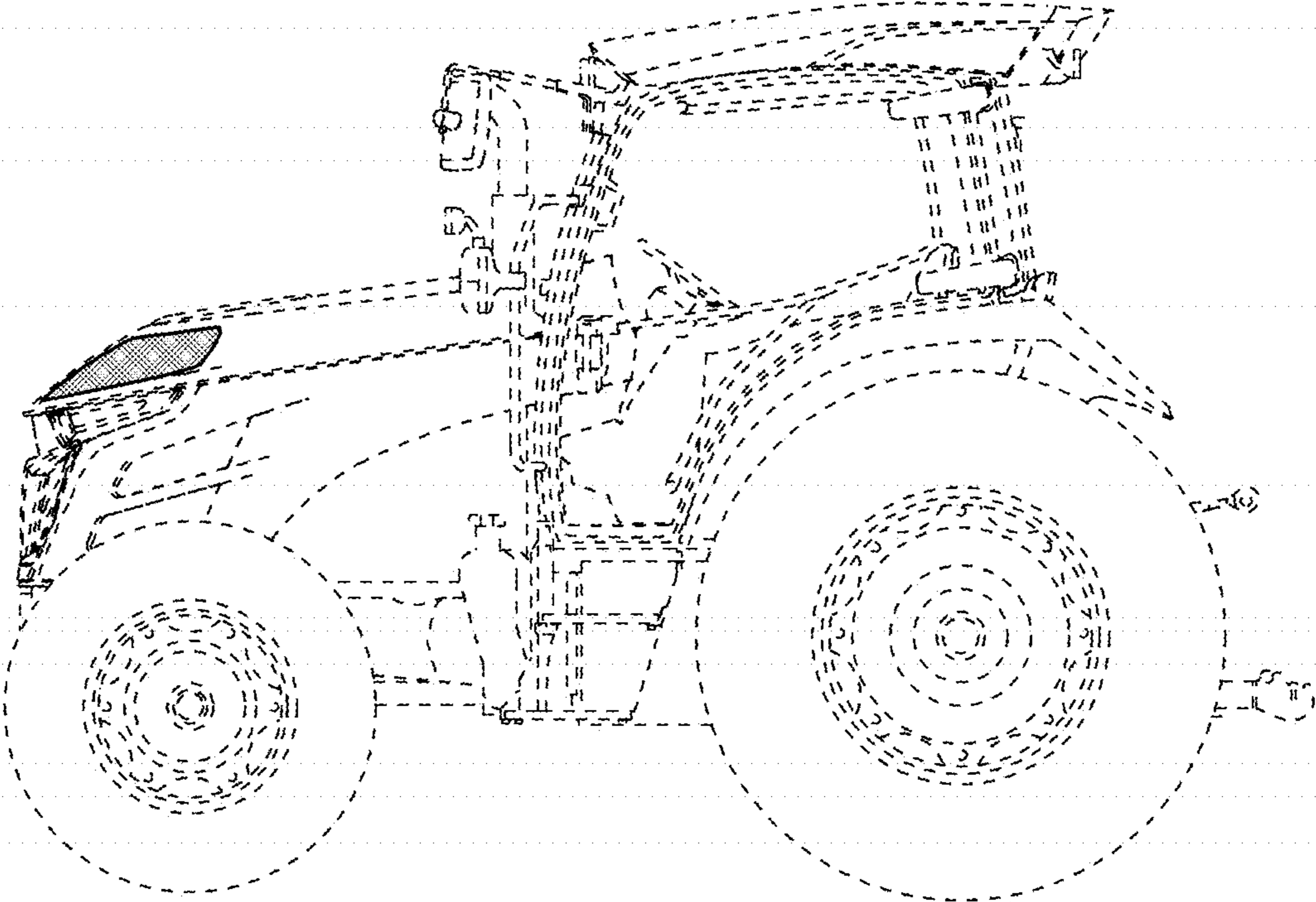


FIG. 2

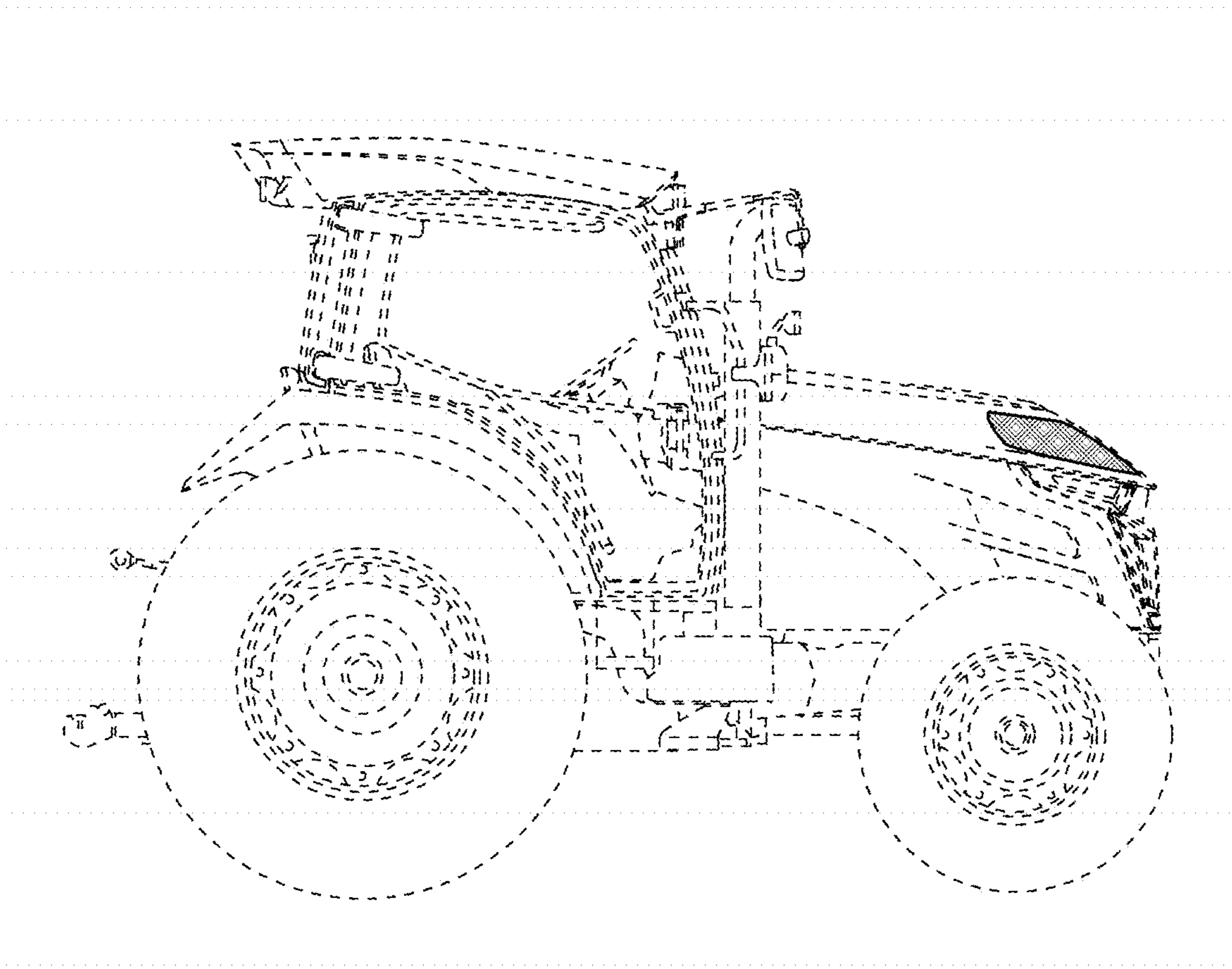


FIG. 3

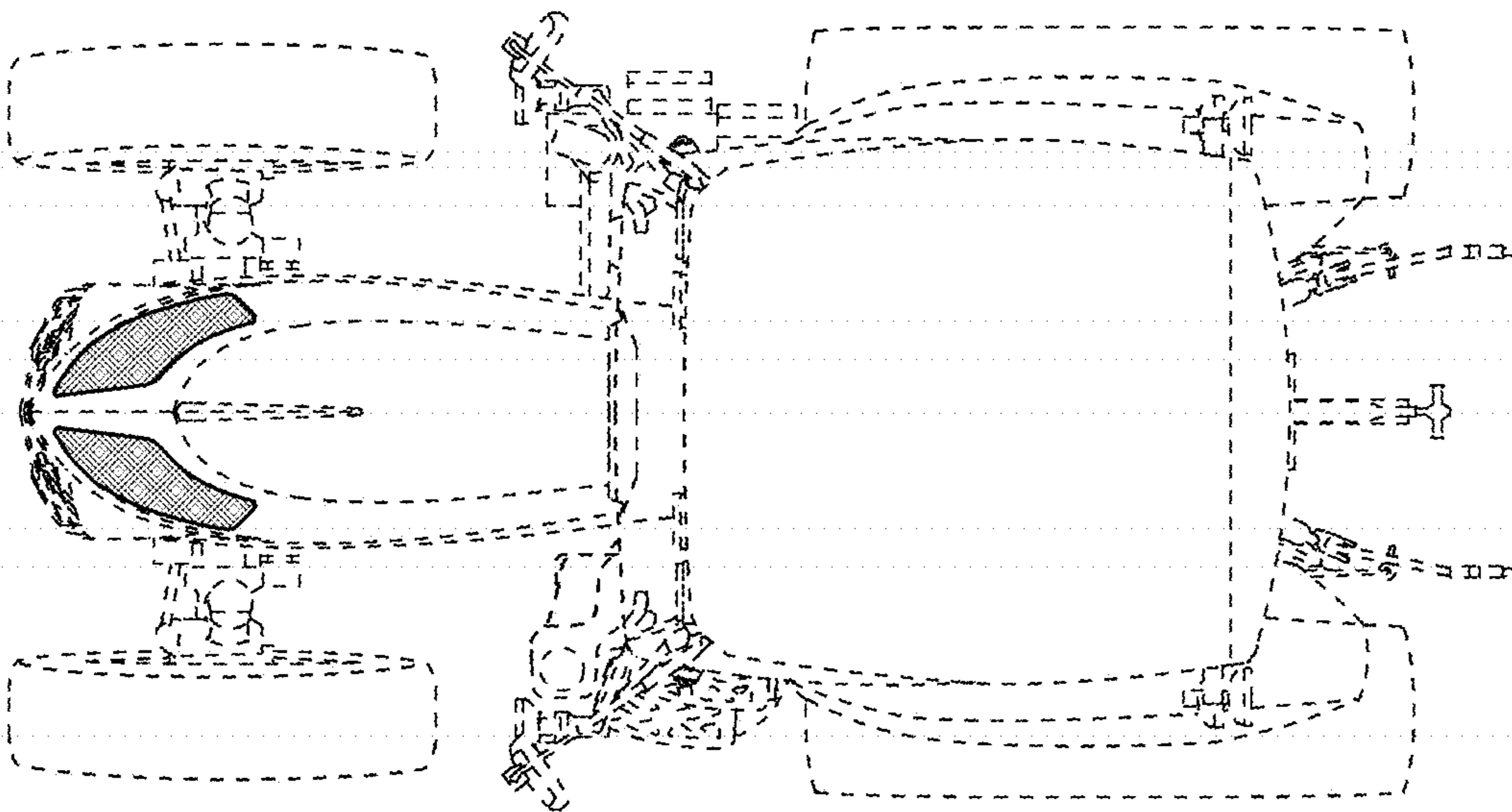


FIG. 4

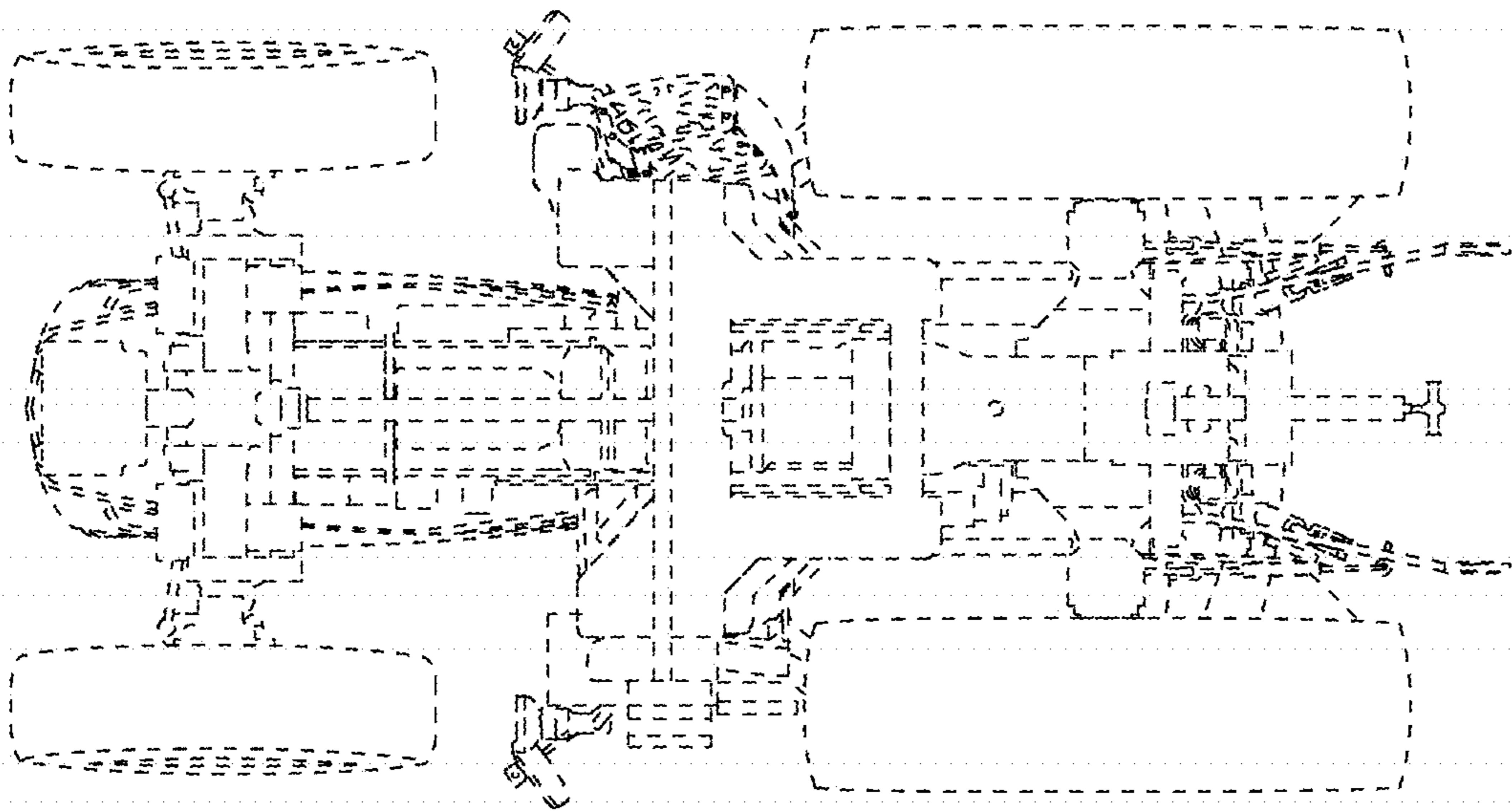


FIG. 5

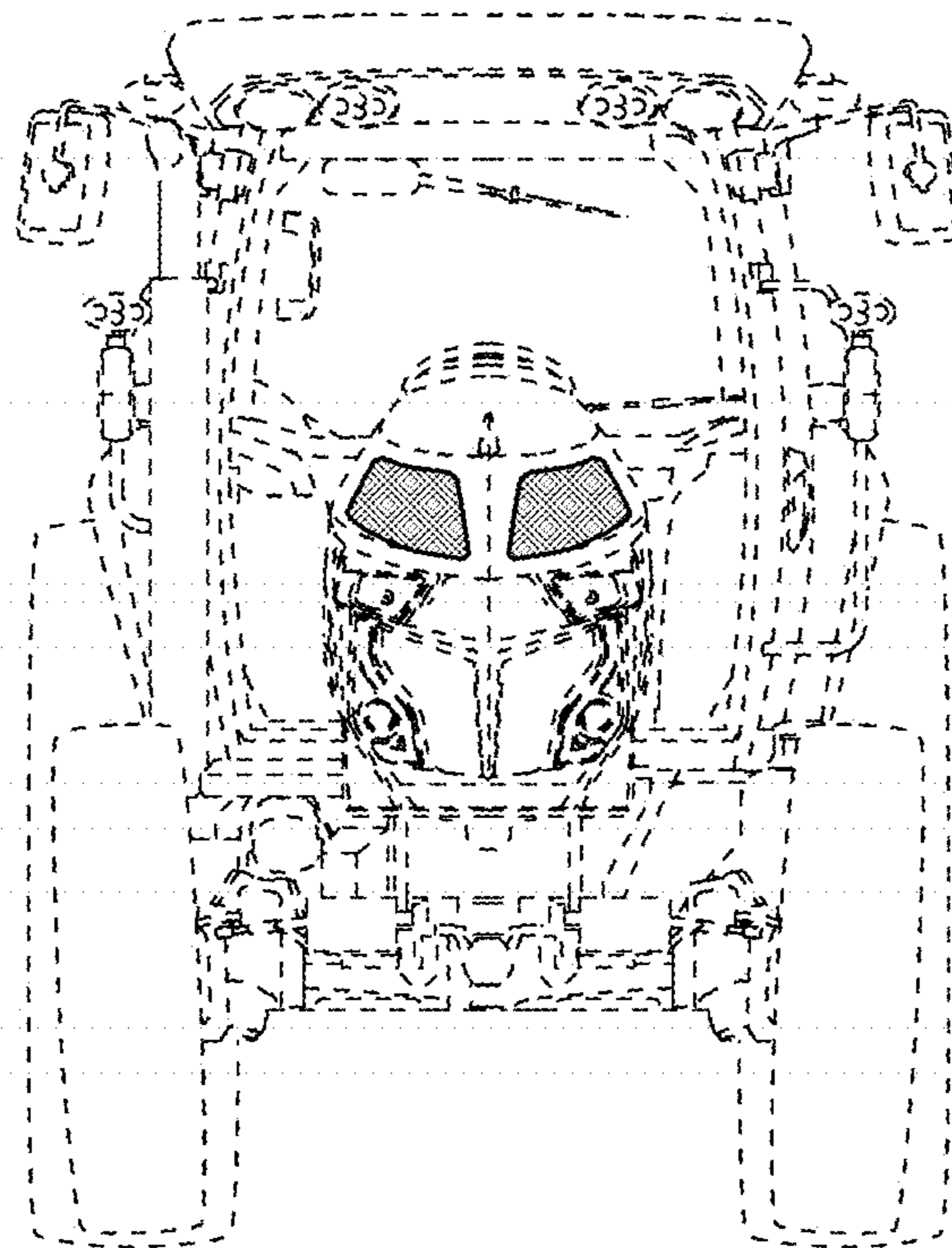


FIG. 6

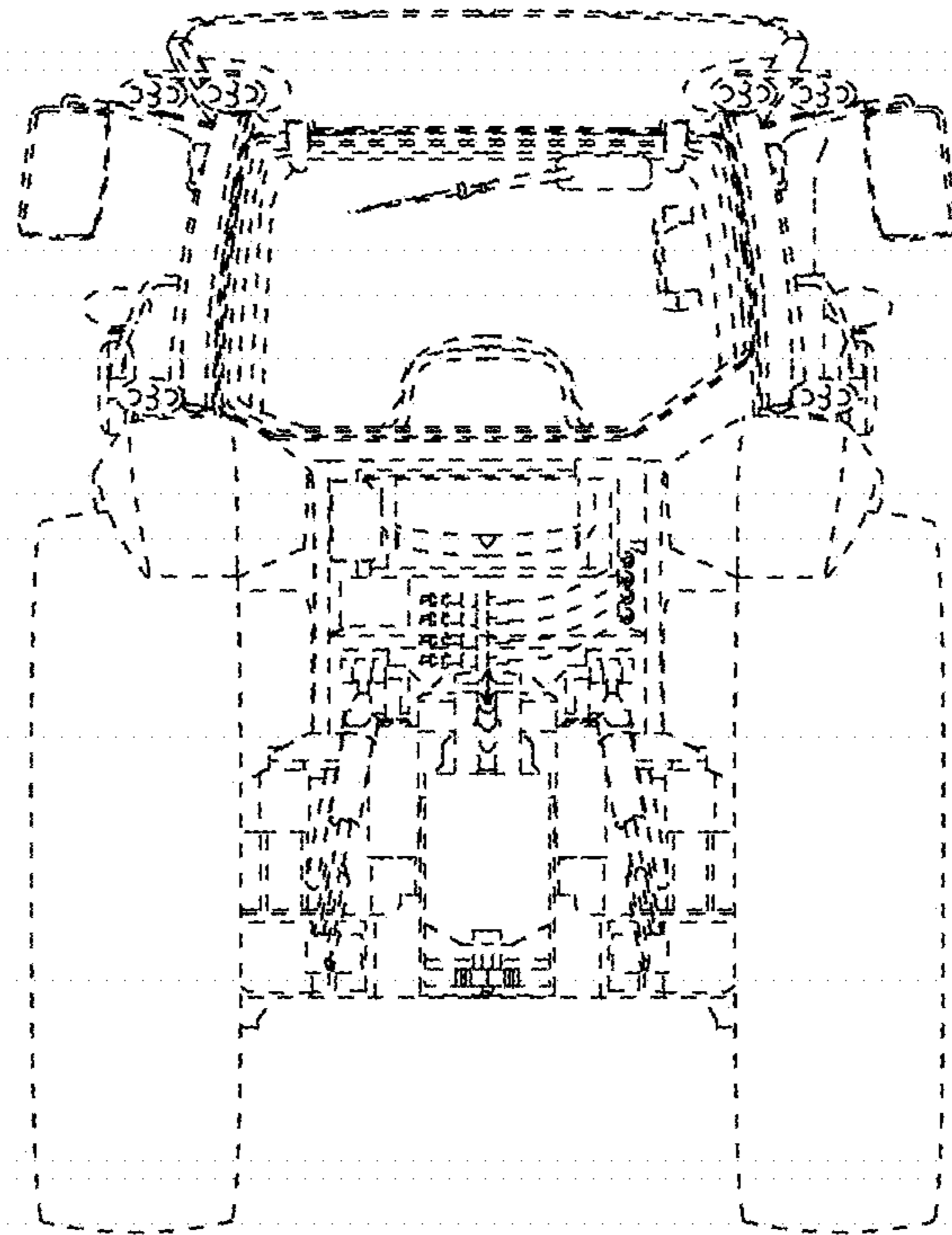


FIG. 7