

US00D766335S

(12) **United States Design Patent** (10) **Patent No.:** **US D766,335 S**
Sanderson et al. (45) **Date of Patent:** **** Sep. 13, 2016**

(54) **RIPPER POINT**
(71) Applicant: **Ingersoll Tillage Group, Inc.**,
Hamilton (CA)
(72) Inventors: **Donald J. Sanderson**, Puslinch (CA);
Patrick E. Lavigne, Beamsville (CA)
(73) Assignee: **Ingersoll Tillage Group, Inc.**,
Hamilton (CA)
(**) Term: **14 Years**
(21) Appl. No.: **29/525,734**
(22) Filed: **May 1, 2015**
(51) **LOC (10) Cl.** **15-03**
(52) **U.S. Cl.**
USPC **D15/29**
(58) **Field of Classification Search**
USPC D15/11, 28, 29; 172/724, 730, 766,
172/770, 771, 721, 713, 699, 772
CPC E02F 9/28; E02F 9/2825; E02F 9/2833;
E02F 9/2866; E02F 9/2858; E02F 9/2808;
E02F 9/2841; E02F 9/2816; E02F 9/2875;
A01B 23/02; A01B 35/225; A01B 39/20
See application file for complete search history.

(56) **References Cited**
U.S. PATENT DOCUMENTS
774,324 A * 11/1904 Hill et al. A01B 15/025
172/699
D285,691 S * 9/1986 Johnson D15/11
5,499,686 A * 3/1996 Parker A01B 15/04
172/730
D415,173 S * 10/1999 Zaun D15/29
D415,773 S * 10/1999 Chapman D15/11
D429,257 S * 8/2000 Zaun D15/29
D429,258 S * 8/2000 Zaun D15/29
6,422,323 B1 7/2002 Dietrich, Sr.
6,443,237 B1 * 9/2002 Myers A01B 15/025
172/730
D505,137 S * 5/2005 Steinlage D15/29
D512,078 S * 11/2005 Poutre D15/29

D527,029 S * 8/2006 Launder D15/29
7,104,341 B2 * 9/2006 Steinlage A01B 15/025
172/730
7,367,144 B2 * 5/2008 Jones E02F 9/28
172/772.5
7,506,595 B2 * 3/2009 Bergen A01C 5/062
111/152
D615,998 S * 5/2010 Kovach D15/29
7,762,015 B2 * 7/2010 Smith E02F 9/2825
37/455
8,087,470 B2 * 1/2012 Kovach A01B 35/225
172/699
8,087,471 B2 * 1/2012 Kovach A01B 35/225
172/699
8,646,544 B2 * 2/2014 Ingersoll A01B 23/02
172/730
D706,311 S * 6/2014 Renski D15/29
D706,312 S * 6/2014 Renski D15/29
D706,839 S * 6/2014 Renski D15/29

(Continued)

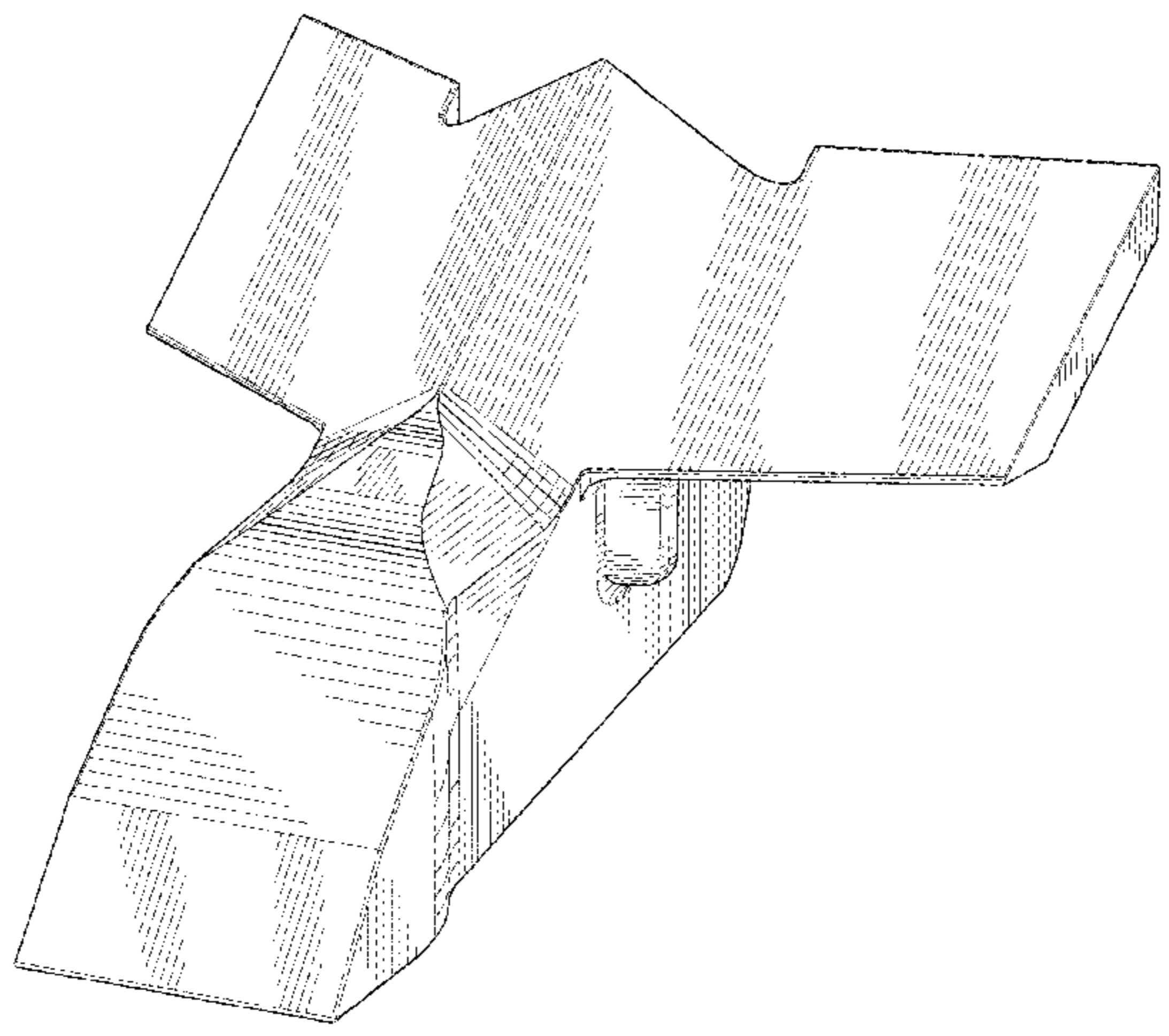
Primary Examiner — Mark Goodwin
(74) *Attorney, Agent, or Firm* — Brunet & Co.; Robert A. H. Brunet

(57) **CLAIM**
The ornamental design for a ripper point, as shown and described.

DESCRIPTION

FIG. 1 is a front perspective view of the ripper point showing our new design;
FIG. 2 is a rear perspective view of the ripper point of FIG. 1;
FIG. 3 is a front view of the ripper point of FIG. 1;
FIG. 4 is a rear view of the ripper point of FIG. 1;
FIG. 5 is a side view of the ripper point of FIG. 1;
FIG. 6 is a side view of the ripper point of FIG. 1 from the opposite side as FIG. 5;
FIG. 7 is a top view of the ripper point of FIG. 1; and,
FIG. 8 is a bottom view of the ripper point of FIG. 1.
The shading lines in the Figures show contour and not surface ornamentation.

1 Claim, 6 Drawing Sheets



(56)

References Cited

U.S. PATENT DOCUMENTS

D706,840 S *	6/2014	Renski	D15/29	D727,982 S *	4/2015	Renski	D15/28
D707,263 S *	6/2014	Renski	D15/28	D748,681 S *	2/2016	Renski	D15/28
D727,980 S *	4/2015	Renski	D15/29	D748,682 S *	2/2016	Renski	D15/28
D727,981 S *	4/2015	Renski	D15/29	D748,683 S *	2/2016	Renski	D15/28
					D749,146 S *	2/2016	Renski	D15/28
					2010/0326683 A1 *	12/2010	Kovach	A01B 35/225 172/713

* cited by examiner

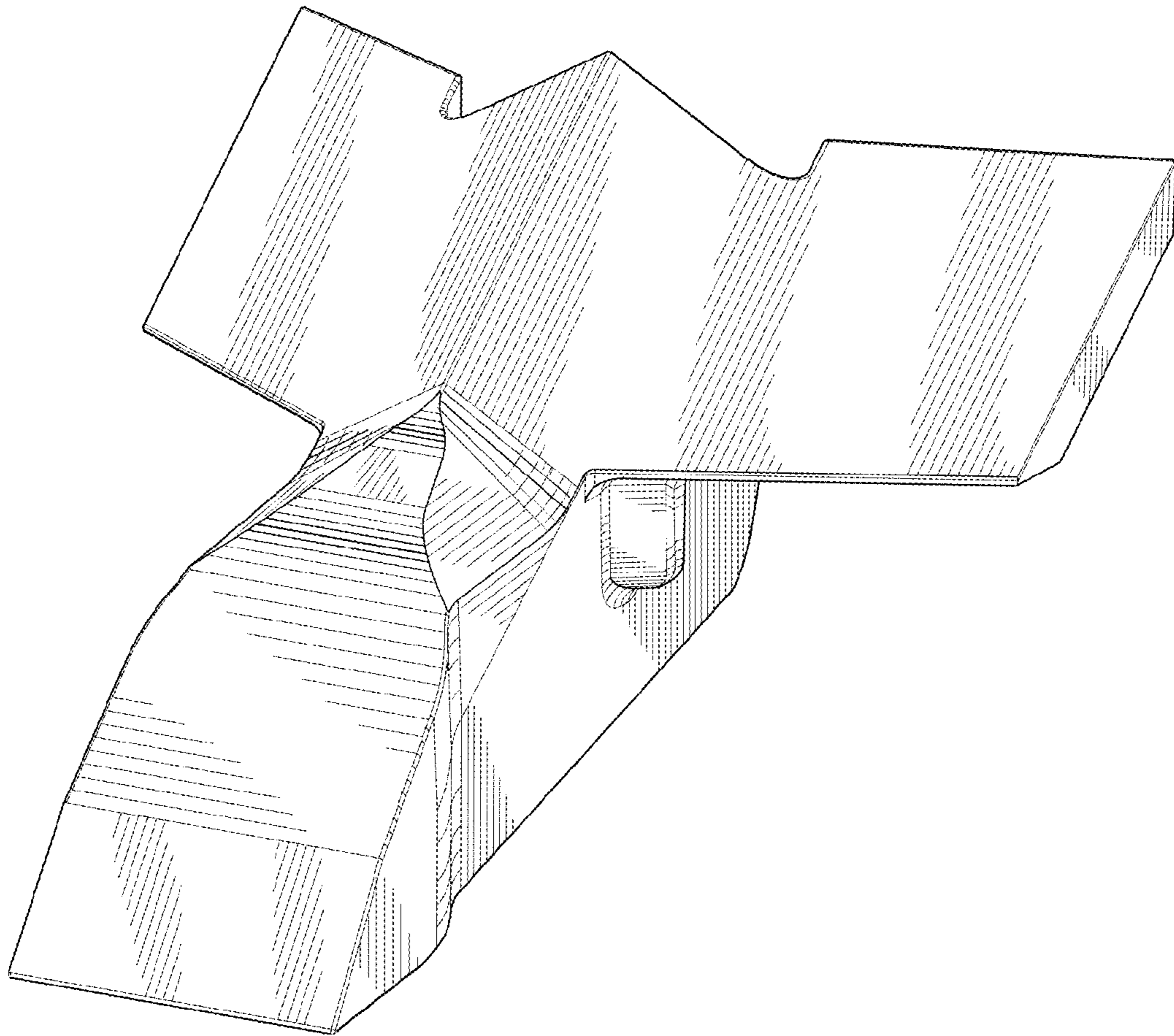


FIG.1

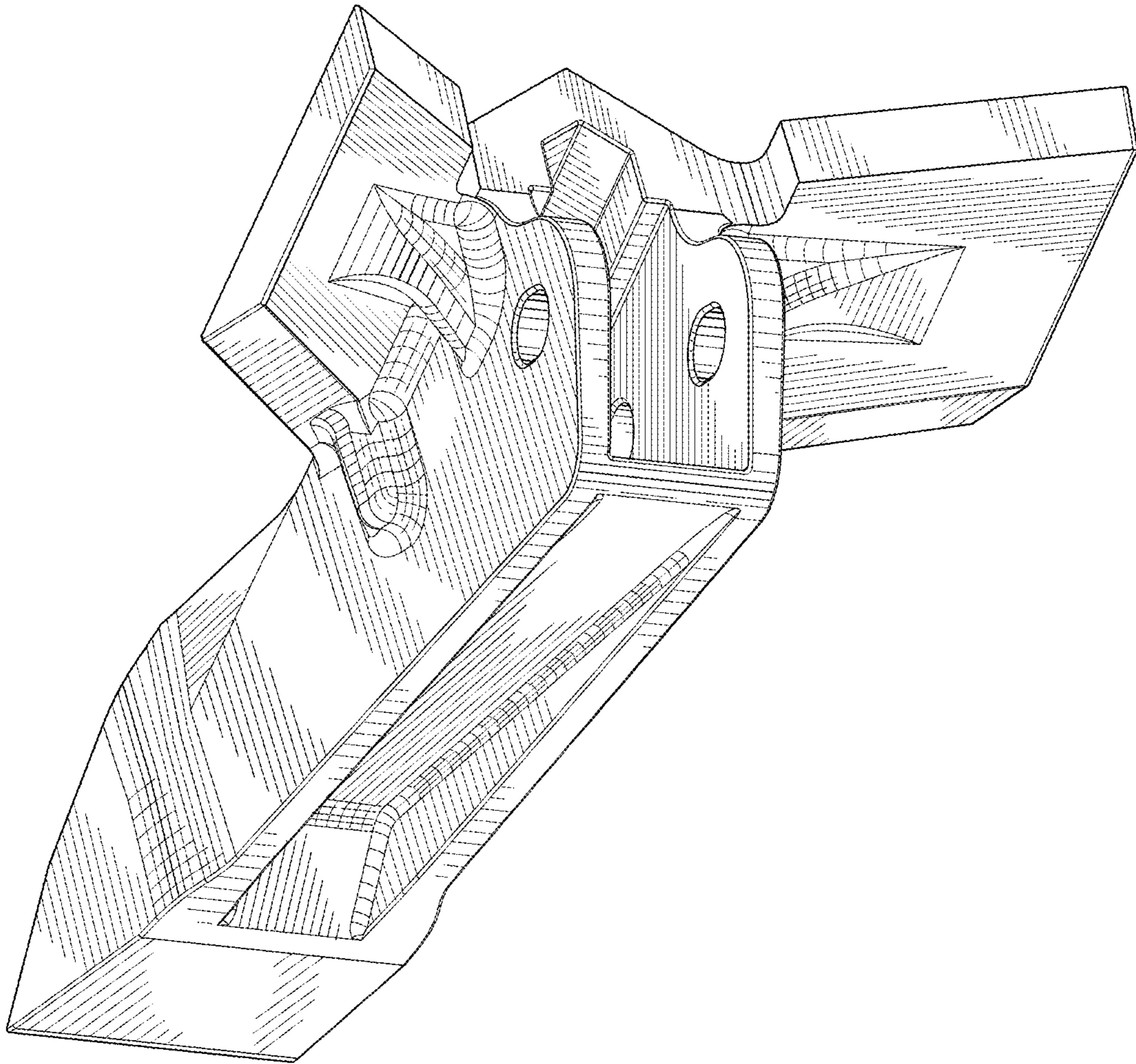


FIG.2

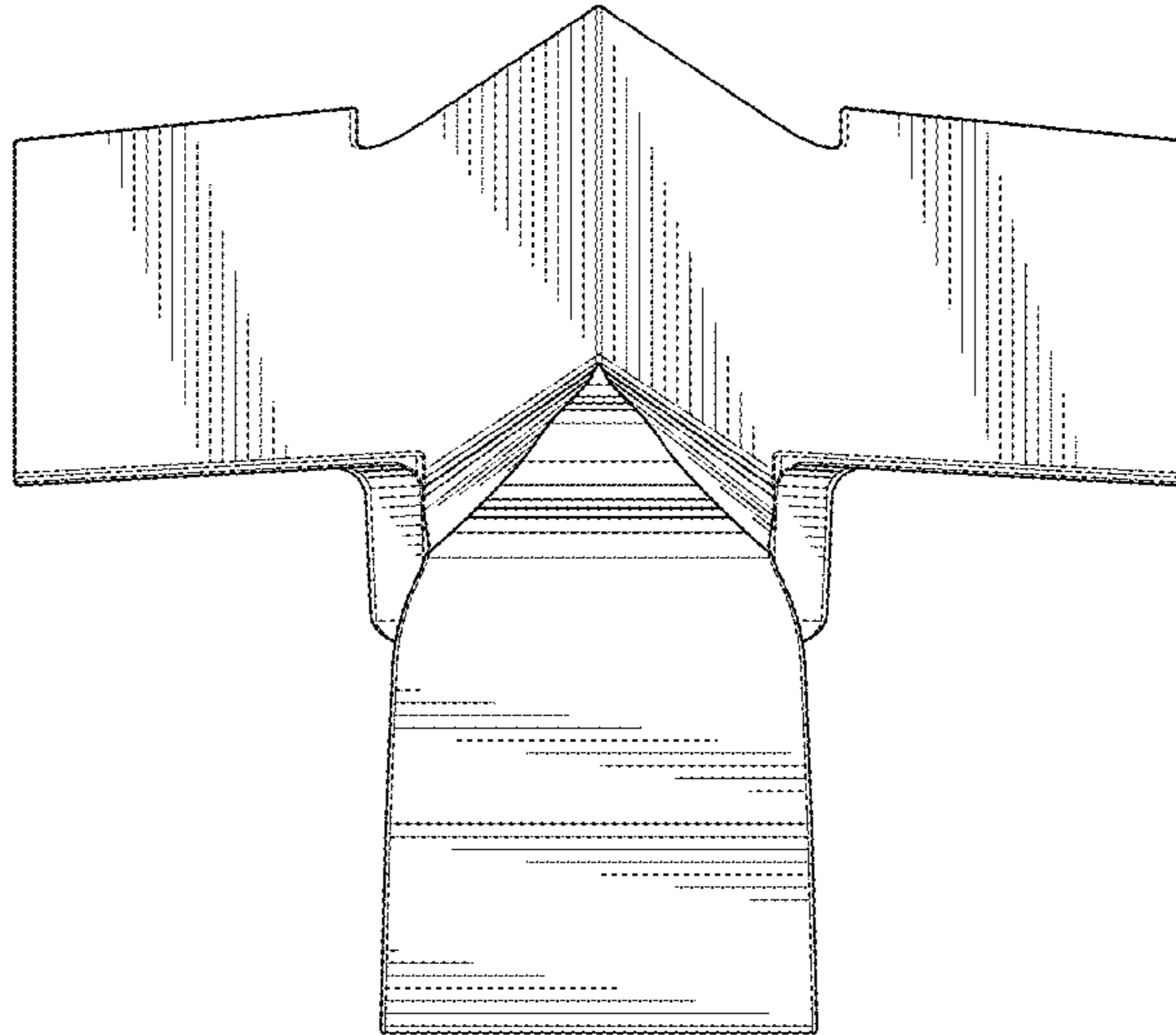


FIG.3

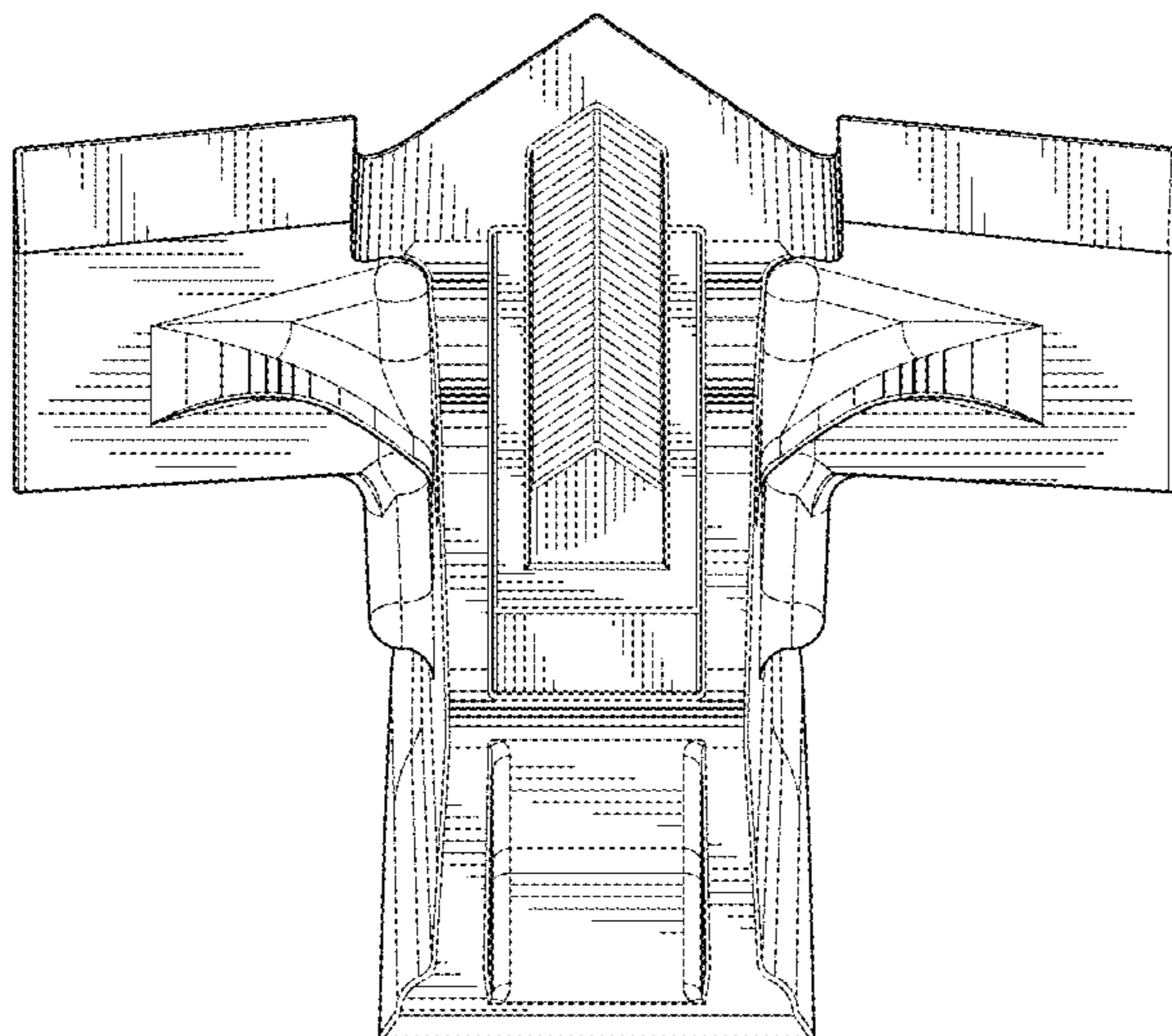


FIG.4

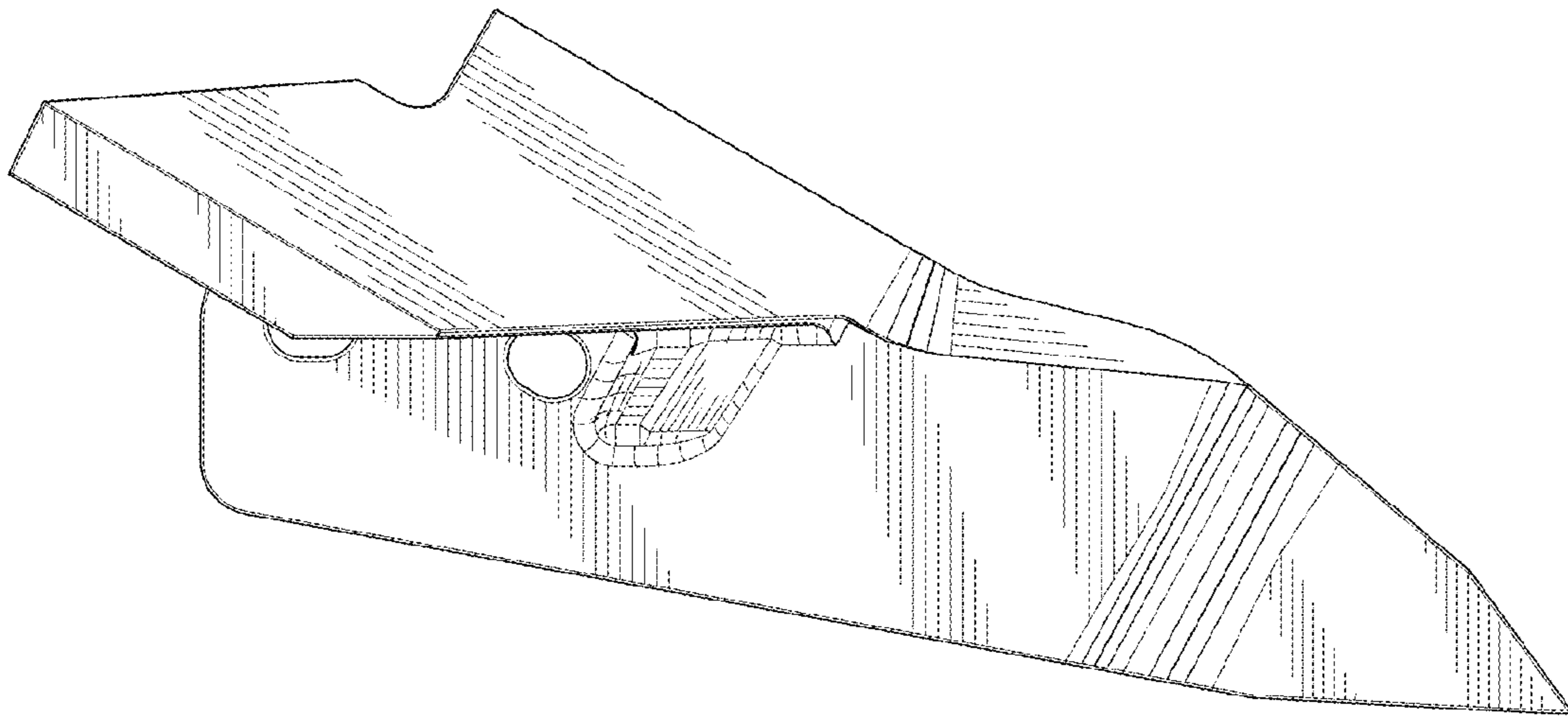


FIG. 5

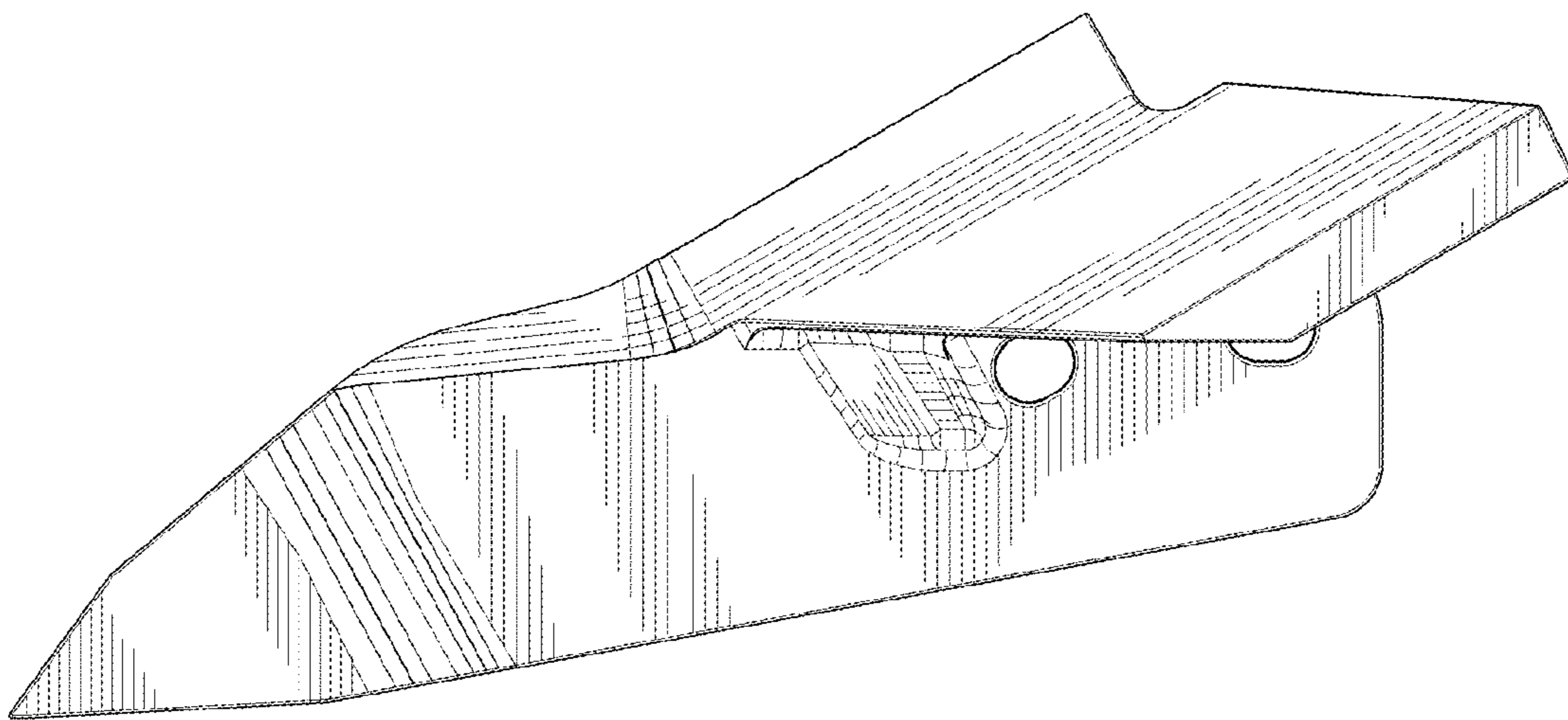


FIG. 6

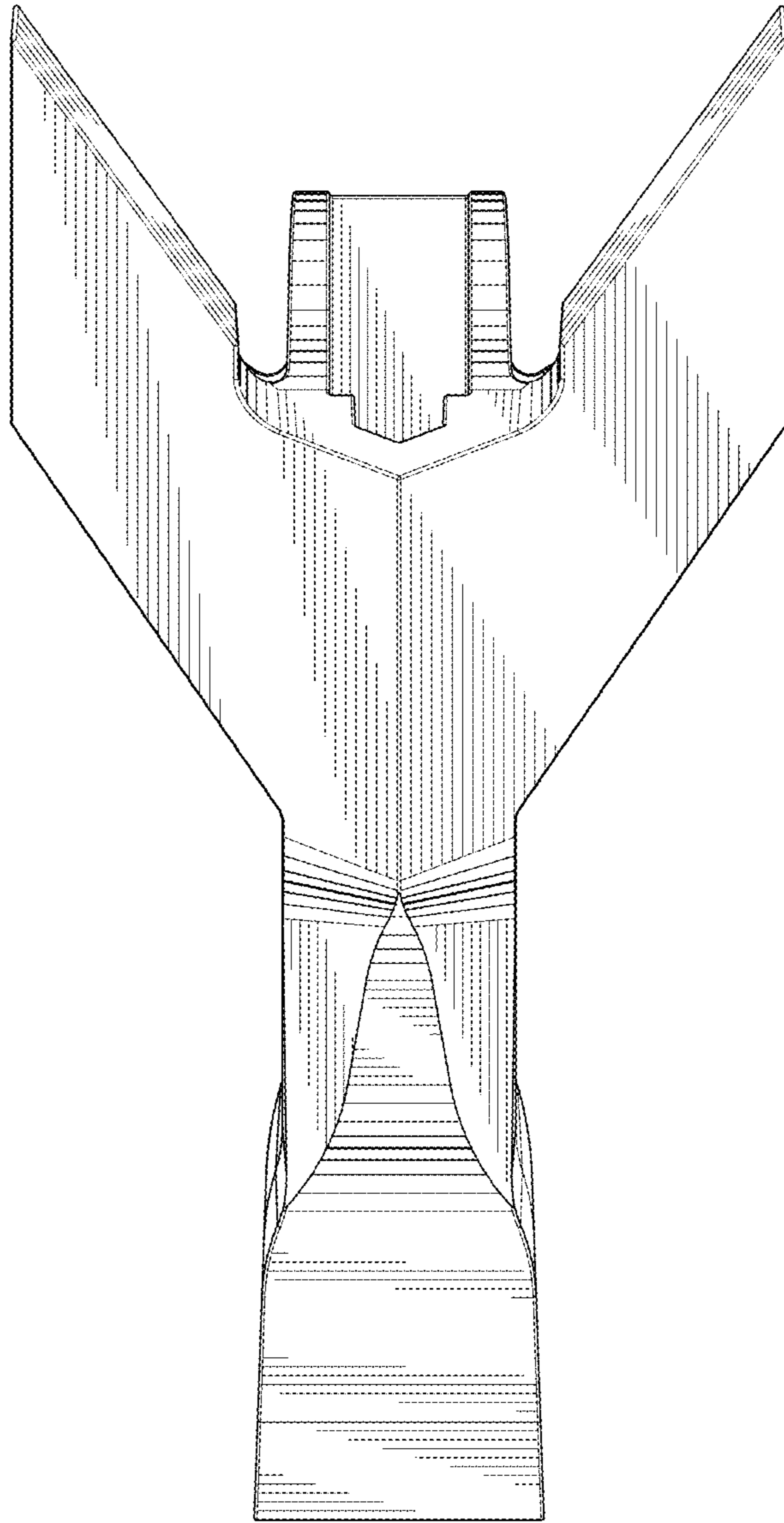


FIG.7

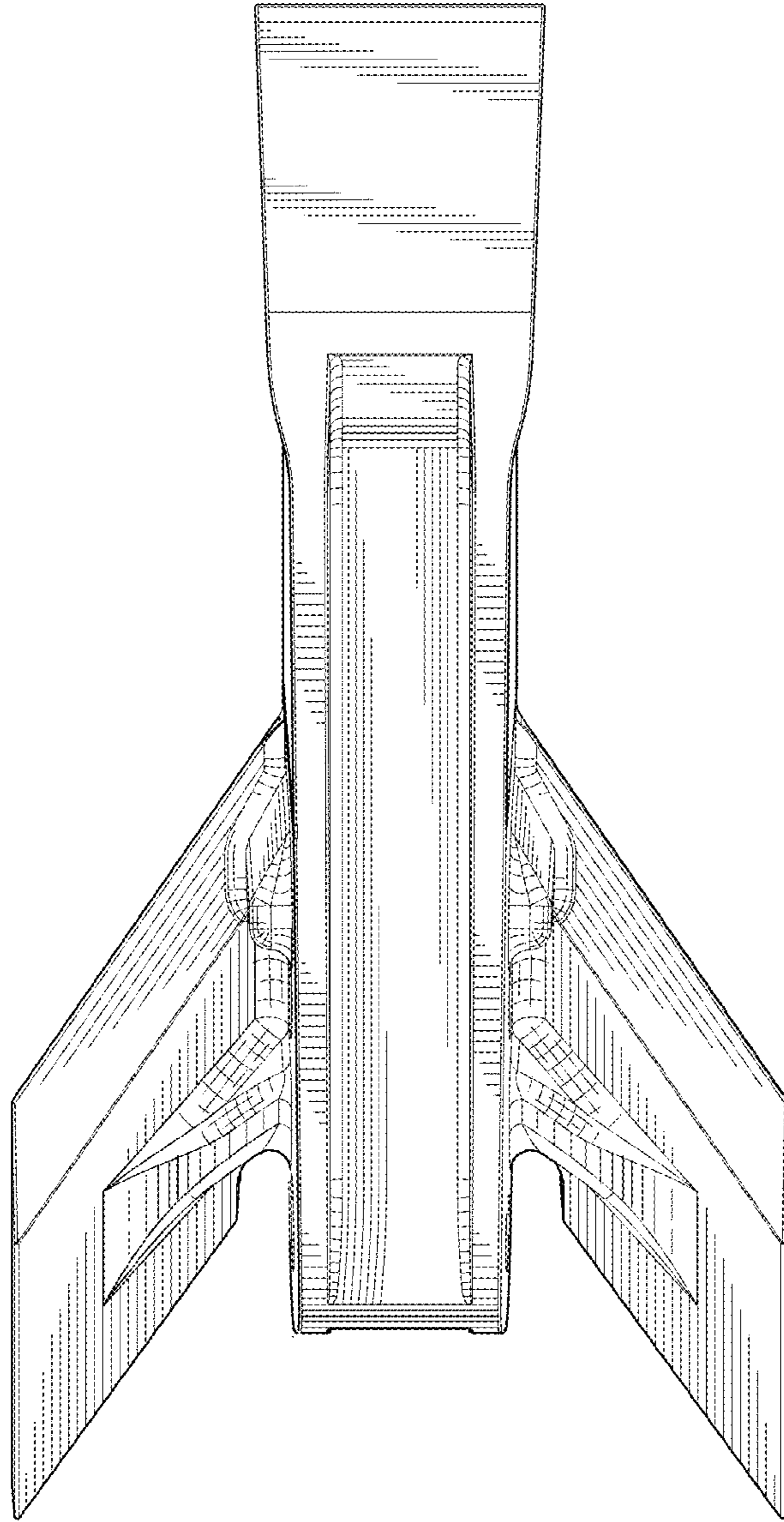


FIG.8