



US00D766332S

(12) **United States Design Patent** (10) **Patent No.:** **US D766,332 S**
Poole et al. (45) **Date of Patent:** **** Sep. 13, 2016**

(54) **BAGGING BLADE**

FOREIGN PATENT DOCUMENTS

(71) Applicant: **Husqvarna AB**, Huskvarna (SE)

GB 339674 A 6/1960
GB 2525499 A 10/2015

(72) Inventors: **James R. Poole**, Salisbury, NC (US);
David Briney, Charlotte, NC (US)

(Continued)

(73) Assignee: **HUSQVARNA AB**, Huskvarna (SE)

OTHER PUBLICATIONS

(**) Term: **14 Years**

International Search Report and Written Opinion in the International patent application No. PCT/US2015/010952 mailed May 6, 2015.

(Continued)

(21) Appl. No.: **29/513,600**

Primary Examiner — Mark Goodwin

(22) Filed: **Jan. 2, 2015**

(74) *Attorney, Agent, or Firm* — Nelson Mullins Riley & Scarborough LLP

(51) **LOC (10) Cl.** **15-03**

(52) **U.S. Cl.**
USPC **D15/17**

(58) **Field of Classification Search**
USPC D15/14–18, 32; D8/20; 30/347, 276,
30/390; 56/295, 255, 289, 13.4, 17.5,
56/DIG. 19, DIG. 20

(57) **CLAIM**

The ornamental design for a bagging blade, as shown and described.

CPC A01D 34/005; A01D 34/73; A01D 34/13;
A01D 34/40; A01D 34/10; A01D 34/73352;
A01D 34/42; A01D 34/00; A01D 34/826;
A01D 2101/00; Y10S 56/20; Y10S 56/17
See application file for complete search history.

DESCRIPTION

FIG. 1 is a top perspective view of a bagging blade in accordance with an embodiment of the present invention; FIG. 2 is a bottom perspective view of the bagging blade of FIG. 1; FIG. 3 is a top view of the bagging blade of FIG. 1; FIG. 4 is a bottom view of the bagging blade of FIG. 1; FIG. 5 is a front side view of the bagging blade of FIG. 1; FIG. 6 is a back side view of the bagging blade of FIG. 1; FIG. 7 is a right side view of the bagging blade of FIG. 1; and, FIG. 8 is a left view of the bagging blade of FIG. 1. The broken lines of FIGS. 1-8 are illustrative of the visible environmental structure of the bagging blade and form no part of the claimed design.

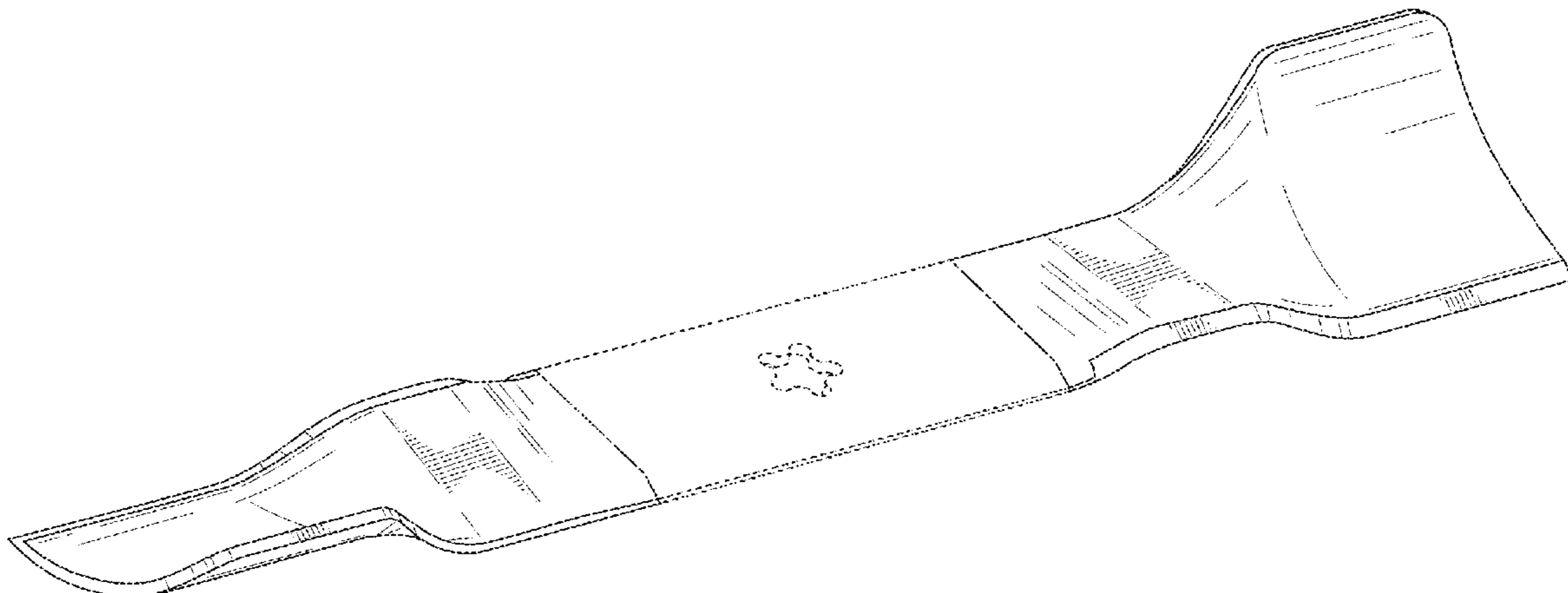
(56) **References Cited**

U.S. PATENT DOCUMENTS

2,870,616 A 1/1959 Benson
3,780,509 A 12/1973 Woelffer
D289,524 S * 4/1987 Andersson D15/17
5,094,065 A 3/1992 Azbell
5,327,710 A * 7/1994 Plamper A01D 34/005
56/255
5,363,635 A * 11/1994 White, III A01D 34/005
56/255
D357,691 S * 4/1995 Bryant D15/17
5,501,068 A 3/1996 Martz
5,615,542 A 4/1997 Thorud et al.

(Continued)

1 Claim, 3 Drawing Sheets



(56)

References Cited

U.S. PATENT DOCUMENTS

6,052,979 A 4/2000 Tutschka
 6,367,235 B1 4/2002 Moynihan
 6,490,850 B1 * 12/2002 Seegert A01D 34/005
 56/255
 6,655,119 B2 * 12/2003 Hasei A01D 34/73
 56/255
 D487,098 S * 2/2004 Arfstrom D15/17
 6,688,095 B2 2/2004 Wadzinski
 6,996,962 B1 2/2006 Sugden et al.
 7,065,946 B2 6/2006 Boeck et al.
 7,093,415 B2 8/2006 Kallevig et al.
 7,204,073 B1 4/2007 Chenevert
 D598,475 S * 8/2009 Roth D15/17
 7,574,852 B1 8/2009 Loxterkamp et al.
 D609,251 S 2/2010 Roth
 D622,740 S * 8/2010 Roth D15/17
 D649,981 S 12/2011 Roth et al.
 8,091,332 B2 1/2012 Hulsman et al.
 8,539,745 B2 9/2013 Schmidt et al.
 D693,373 S * 11/2013 Shiotsuki D15/17
 D694,781 S 12/2013 Roth

D694,782 S 12/2013 Roth
 D710,396 S * 8/2014 Nie D15/17
 D723,589 S * 3/2015 Nishihara D15/17
 9,113,595 B2 8/2015 Roth et al.
 2005/0172601 A1 8/2005 Besogne
 2005/0229573 A1 10/2005 Curran
 2014/0196428 A1 * 7/2014 Shiotsuki A01D 34/73
 56/289
 2015/0082763 A1 * 3/2015 Nishihara A01D 34/63
 56/289
 2016/0037716 A1 2/2016 Johansson et al.

FOREIGN PATENT DOCUMENTS

WO 2014152992 A2 9/2014
 WO 2015016895 A1 2/2015
 WO 2014152644 A1 5/2015

OTHER PUBLICATIONS

TORO, 'Toro Blade Adapter', <http://www.hy-capacity.com/index.php?page=Search&partid=55834>.

* cited by examiner

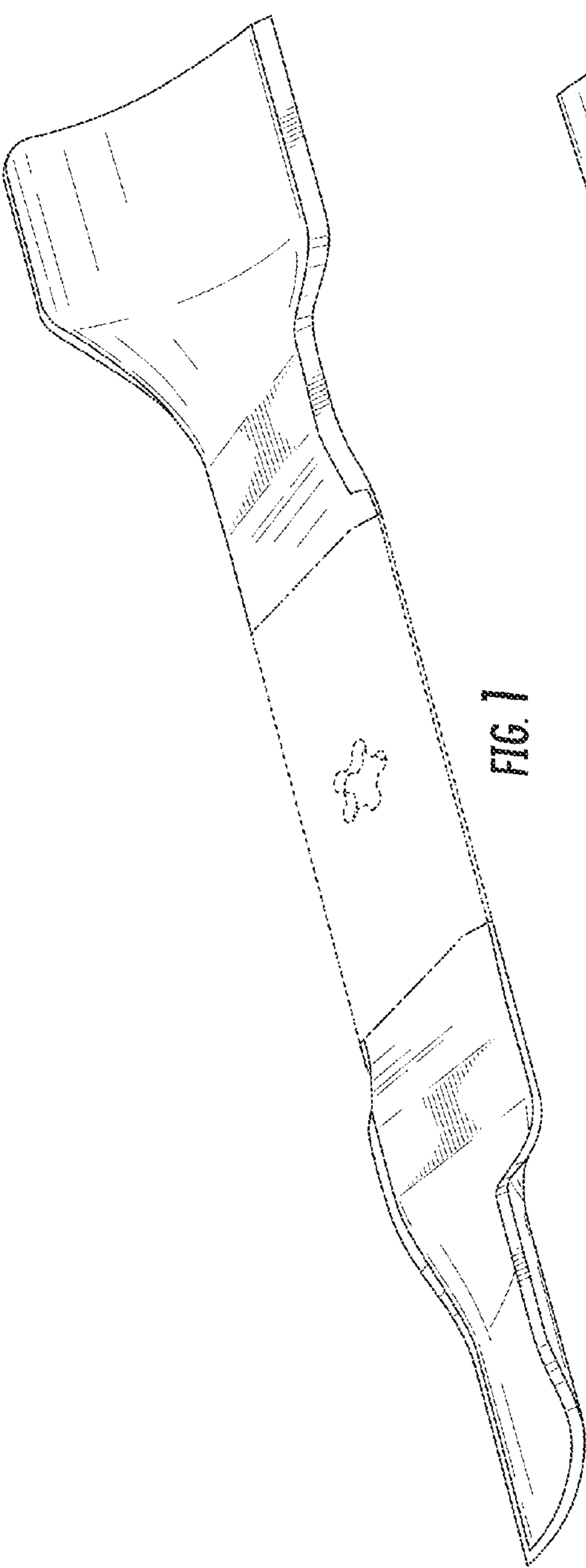


FIG. 1

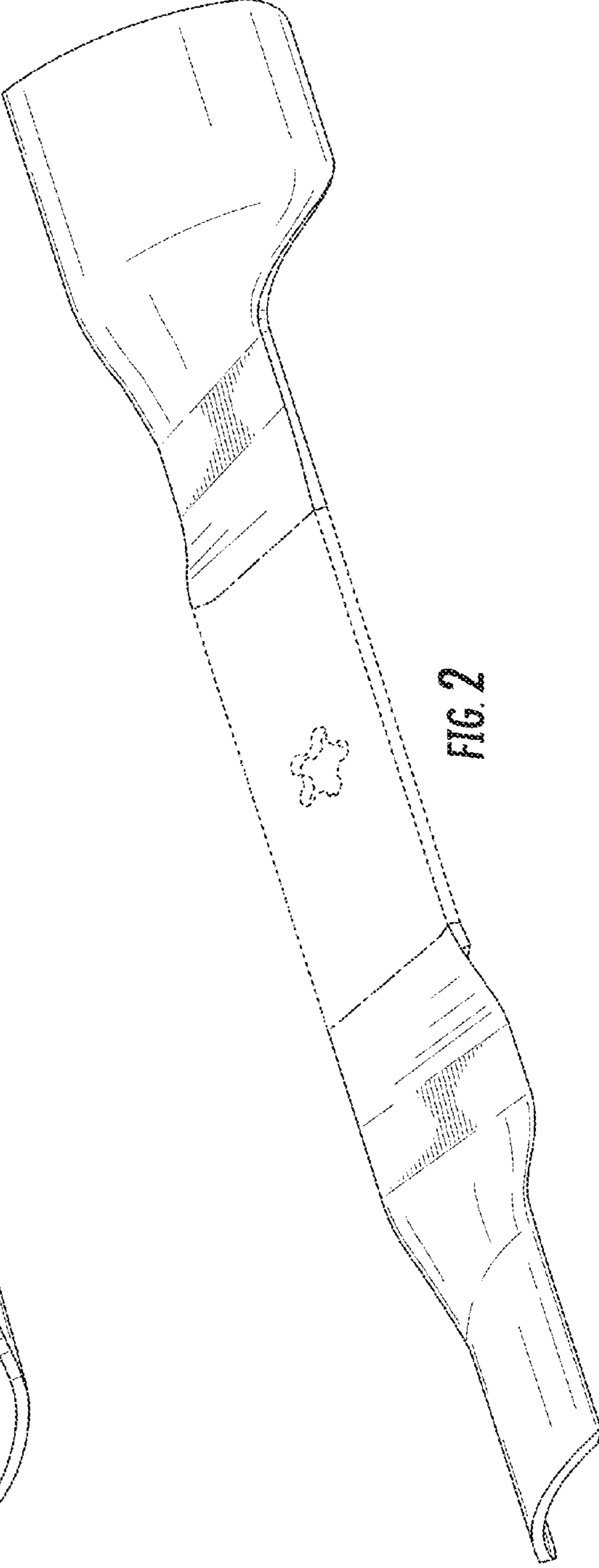


FIG. 2

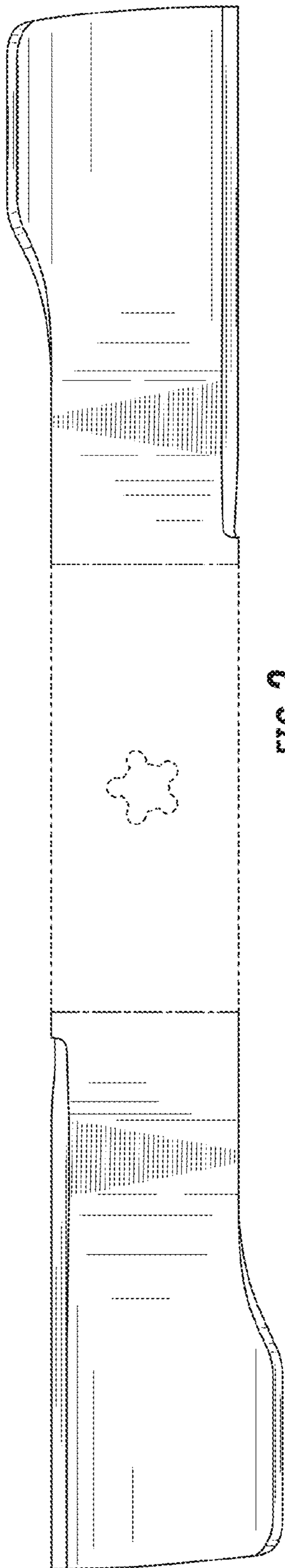


FIG. 3

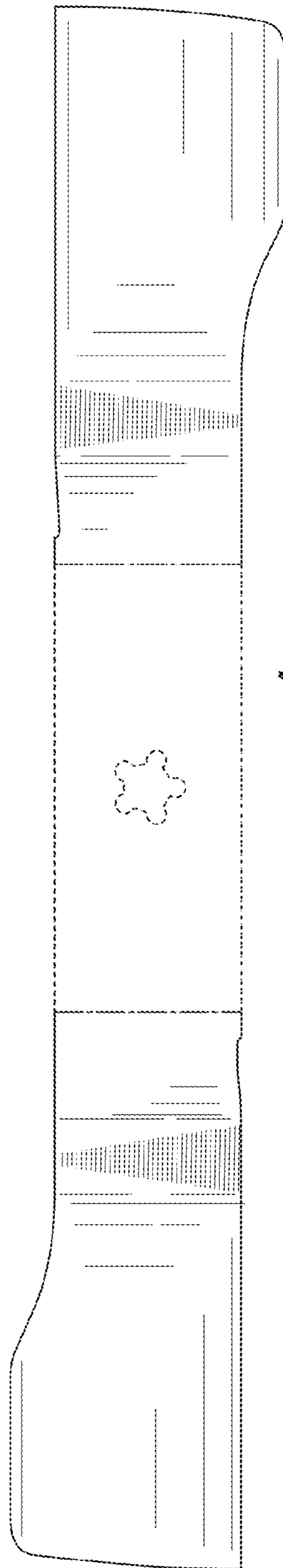


FIG. 4

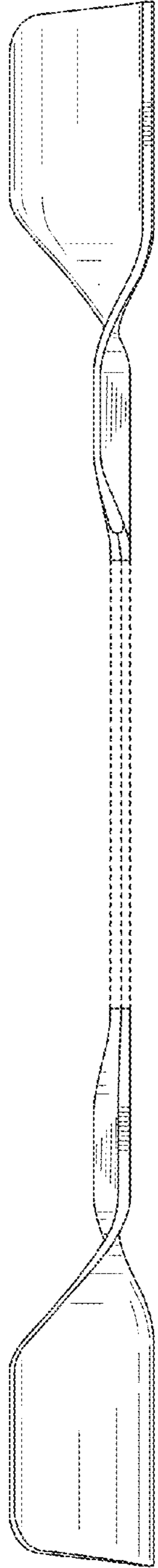


FIG. 5

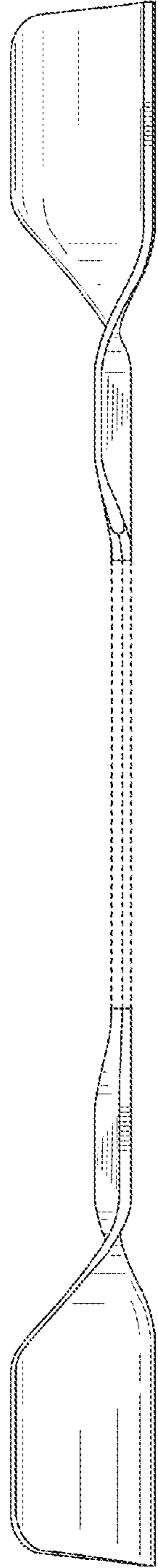


FIG. 6

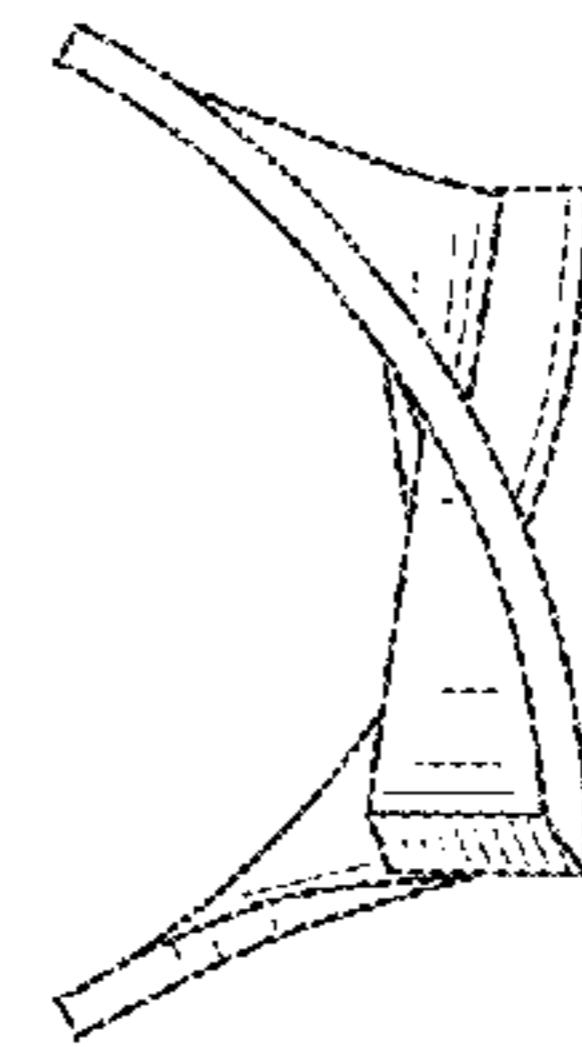


FIG. 7

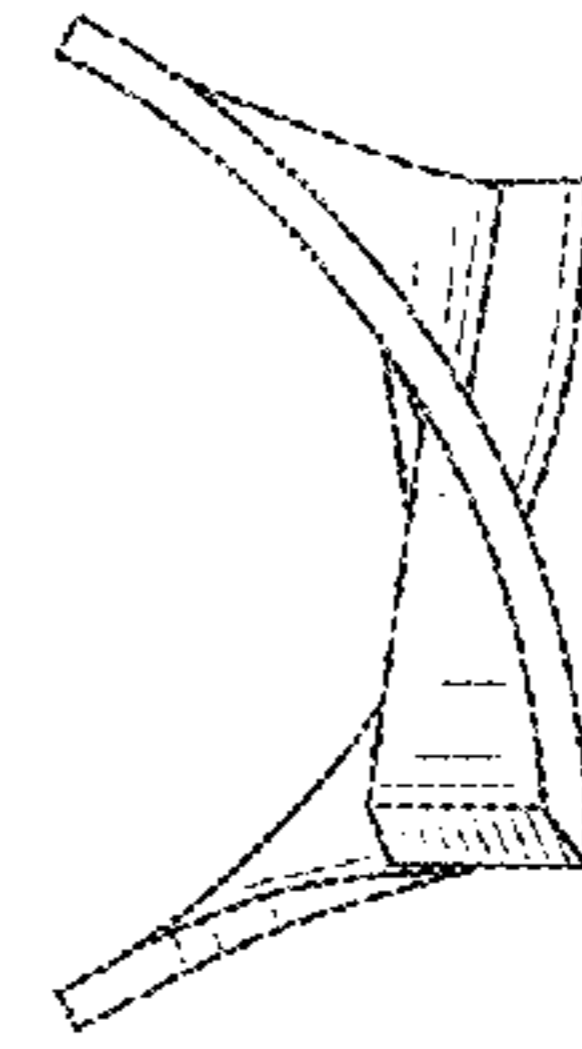


FIG. 8