



US00D766329S

(12) **United States Design Patent**  
**Lee et al.**

(10) **Patent No.:** **US D766,329 S**  
(45) **Date of Patent:** **\*\* Sep. 13, 2016**

(54) **DISPLAY SCREEN OR PORTION THEREOF WITH ANIMATED GRAPHICAL USER INTERFACE**

(71) Applicant: **Samsung Electronics Co., Ltd.**,  
Suwon-si, Gyeonggi-do (KR)

(72) Inventors: **Eujin Lee**, San Jose, CA (US); **Cheryl Sedota**, Mount Pleasant, SC (US); **Maverick Velasco**, Morgan Hill, CA (US); **Neil Everette**, San Jose, CA (US)

(73) Assignee: **SAMSUNG ELECTRONICS CO., LTD.** (KR)

(\*\*) Term: **14 Years**

(21) Appl. No.: **29/517,815**

(22) Filed: **Feb. 17, 2015**

(51) **LOC (10) Cl.** ..... **14-04**

(52) **U.S. Cl.**  
USPC ..... **D14/493**

(58) **Field of Classification Search**  
USPC ..... D14/485-495  
CPC ..... G06F 3/048; G06F 3/04842; G06F 3/04847; G06F 3/0481; G06F 17/211; G06F 17/212  
See application file for complete search history.

(56) **References Cited**

**U.S. PATENT DOCUMENTS**

D609,715 S *	2/2010	Chaudhri	.....	D14/486
D637,606 S *	5/2011	Luke	.....	D14/488
8,429,530 B2 *	4/2013	Neuman	.....	G06F 3/04815
				715/716
D689,510 S *	9/2013	Rodrigues	.....	D14/486
D701,503 S *	3/2014	Akana	.....	D14/341
D705,250 S *	5/2014	Khanna	.....	D14/488
D707,249 S *	6/2014	Yamada	.....	D14/488
D719,580 S *	12/2014	Wang	.....	D14/486
D738,395 S *	9/2015	Barcheck	.....	D14/486

D745,048 S *	12/2015	Anderson	.....	D14/489
D746,840 S *	1/2016	Lee	.....	D14/486
D746,860 S *	1/2016	Boot	.....	D14/489
D746,866 S *	1/2016	Memoria	.....	D14/492
D747,741 S *	1/2016	Paniaras	.....	D14/492
D748,133 S *	1/2016	Ku	.....	D14/488
D749,099 S *	2/2016	Moon	.....	D14/486
D750,118 S *	2/2016	Shoji	.....	D14/486
2008/0062141 A1 *	3/2008	Chandhri	.....	G06F 3/0482
				345/173

\* cited by examiner

*Primary Examiner* — Eric Goodman

*Assistant Examiner* — Daniel J Domino

(74) *Attorney, Agent, or Firm* — Cantor Colburn LLP

(57) **CLAIM**

We claim the ornamental design for a display screen or portion thereof with animated graphical user interface, as shown and described.

**DESCRIPTION**

FIG. 1 is the first image in a sequence for a display screen or portion thereof with animated graphical user interface showing our new design;

FIG. 2 is the second image thereof;

FIG. 3 is the third image thereof;

FIG. 4 is the fourth image thereof;

FIG. 5 is the fifth image thereof; and,

FIG. 6 is the sixth image thereof.

The appearance of the transitional image sequentially transitions between the images shown in FIGS. 1-6. The process or period in which one image transitions to another forms no part of the claim.

The broken lines are for environmental purposes only and form no part of the claimed design.

The dot dash broken lines showing a display screen or portion thereof represent a boundary, whereas the regular broken lines showing the graphical user interface illustrate portions of the article and form no part of the claimed design.

**1 Claim, 6 Drawing Sheets**

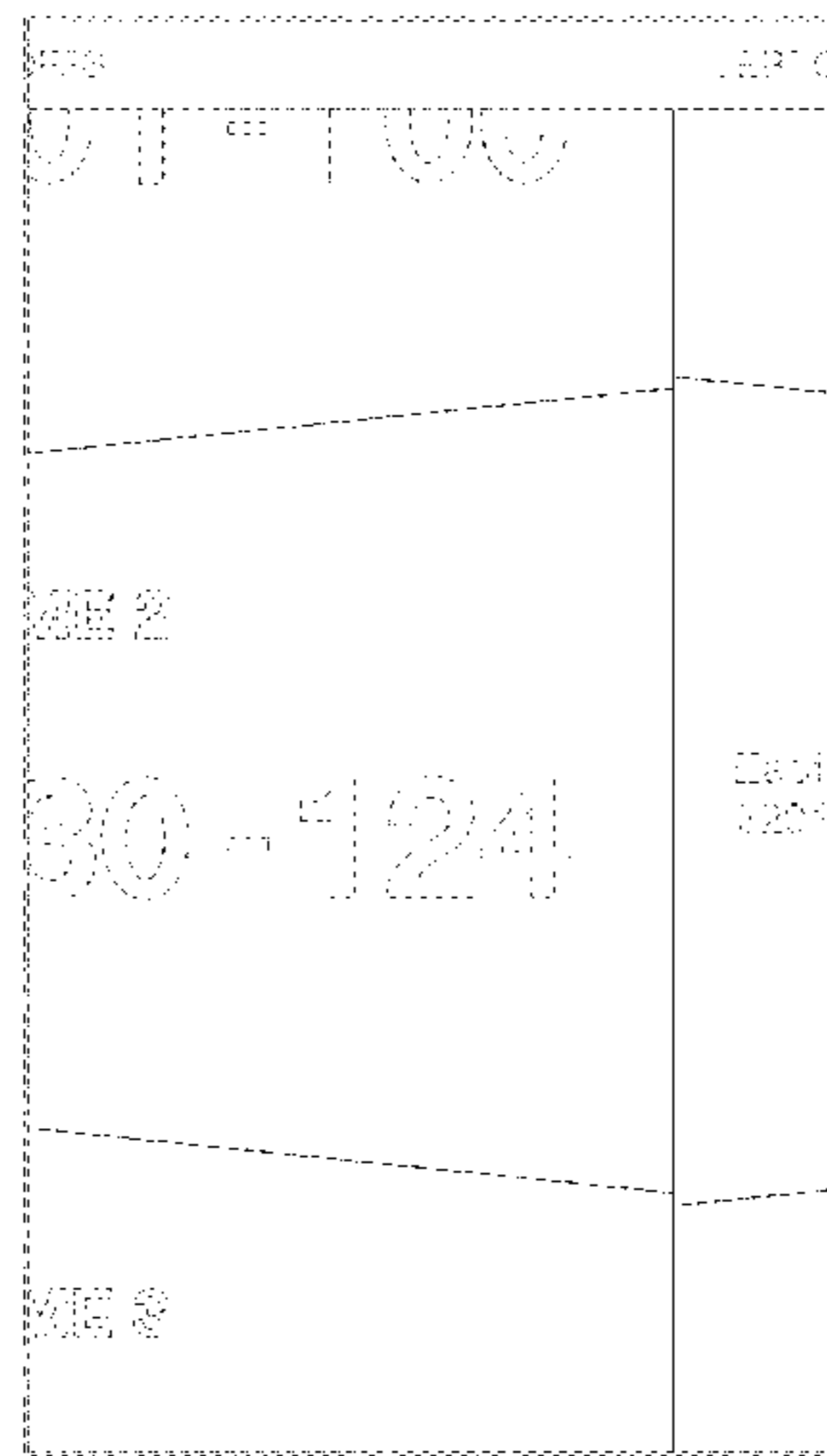
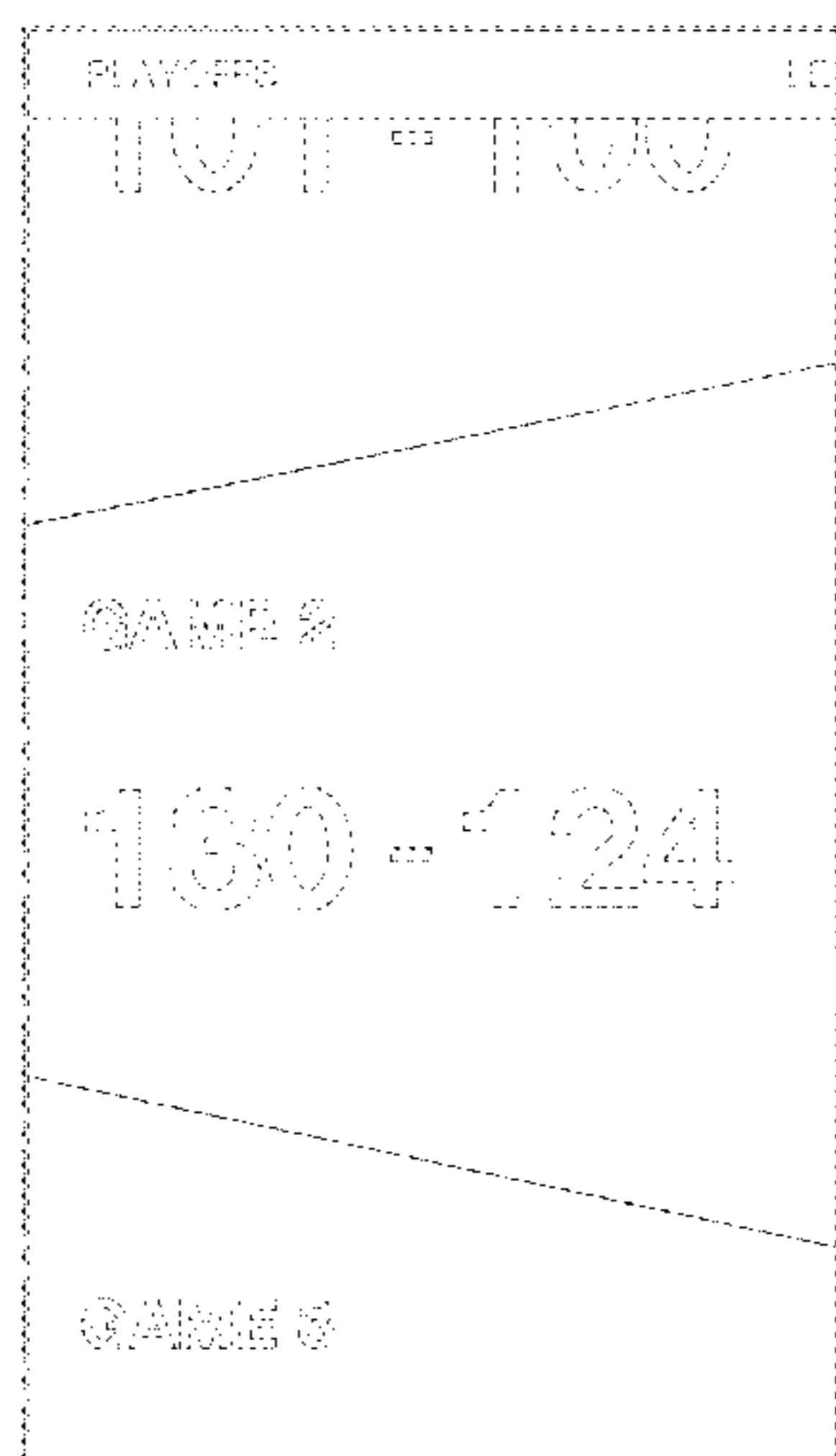


Fig. 1

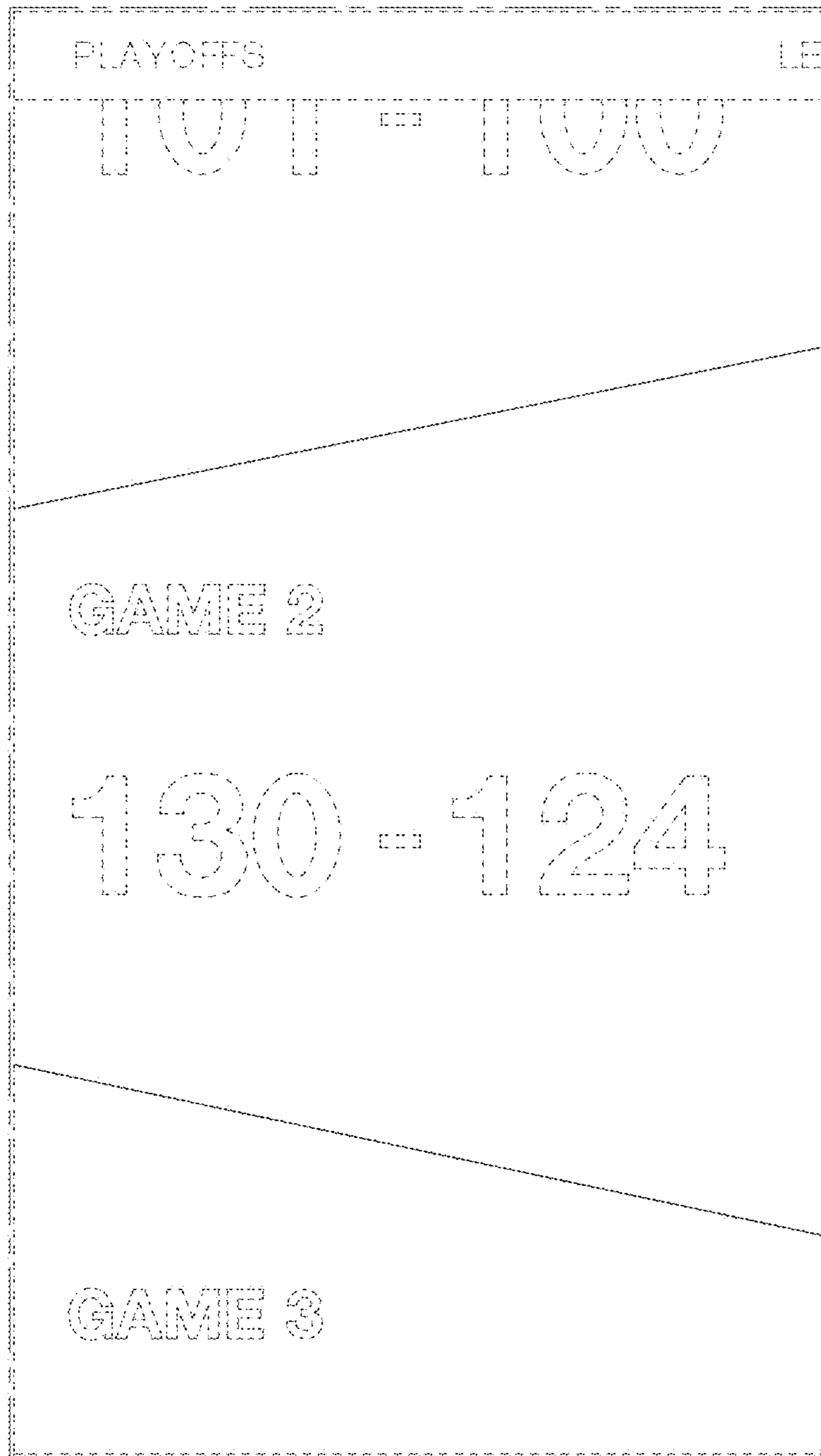


Fig. 2

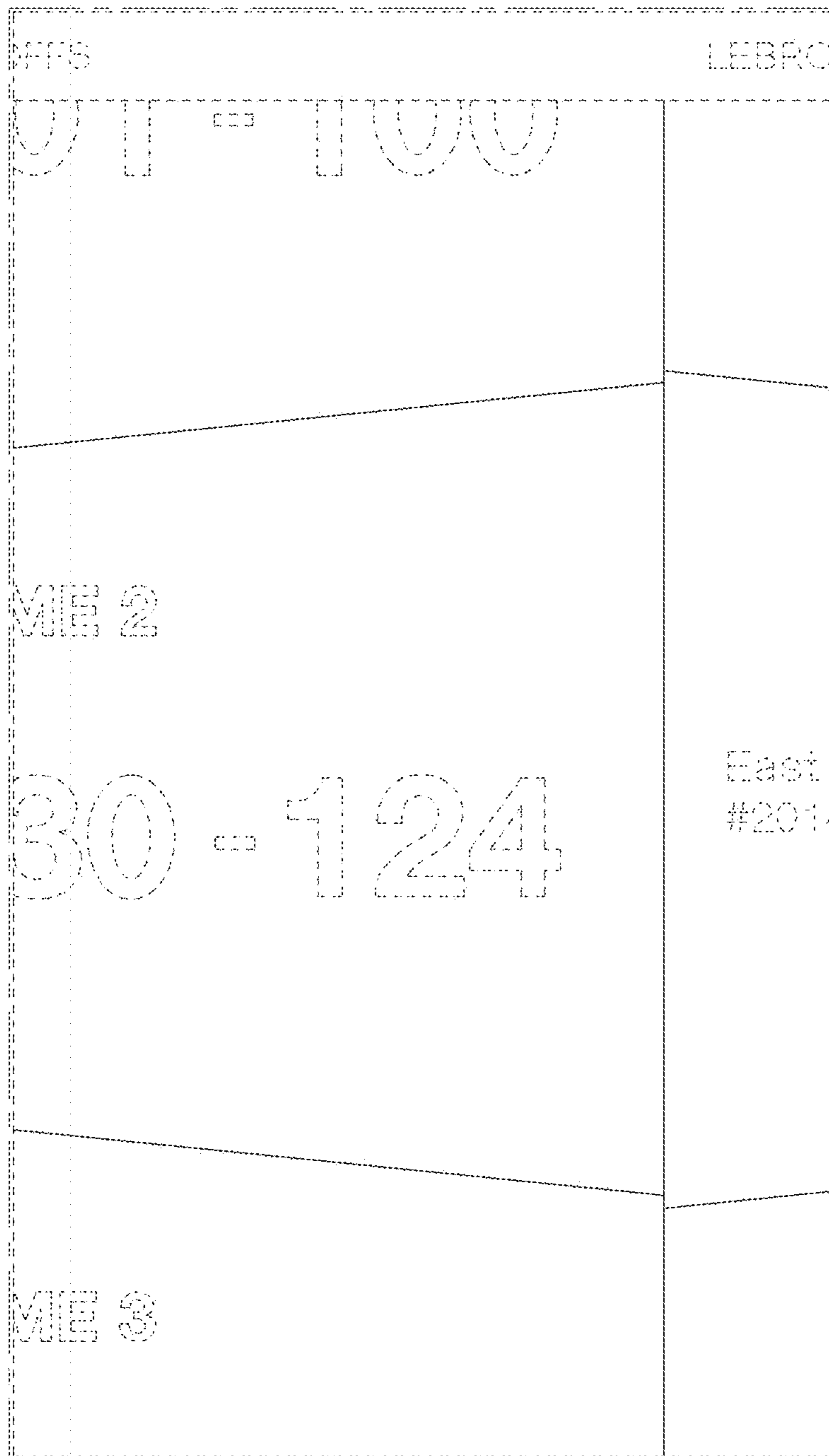
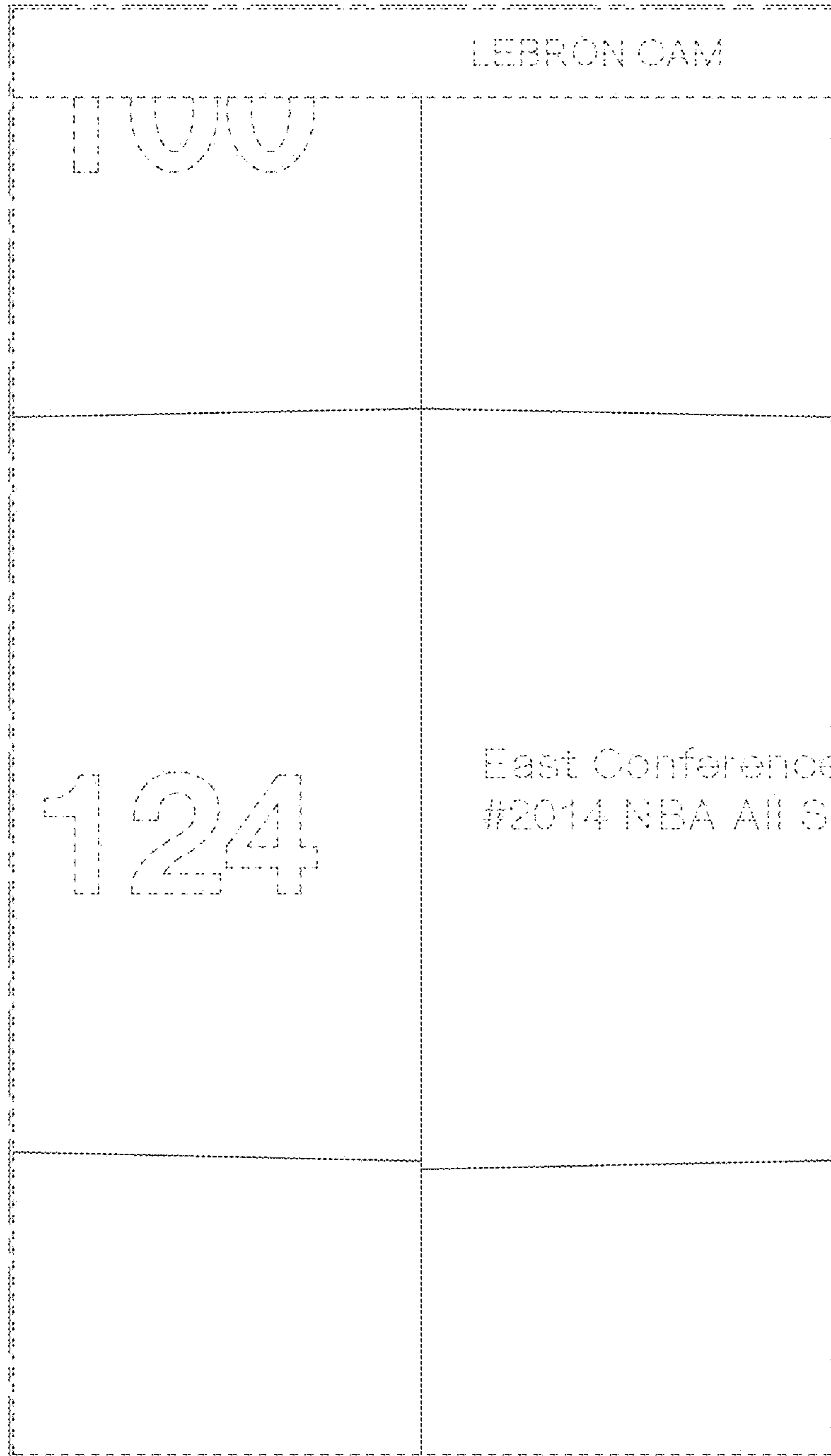
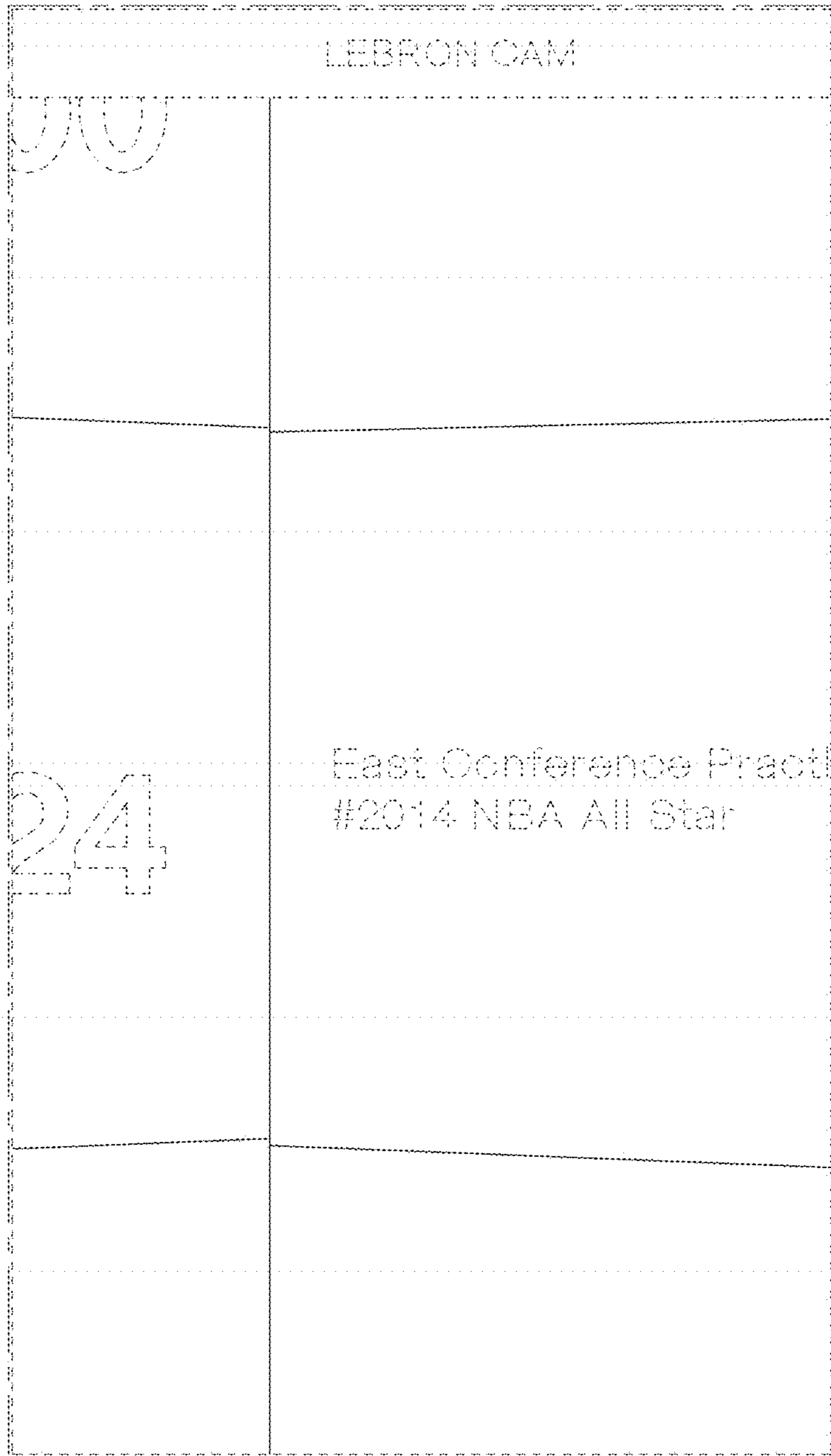


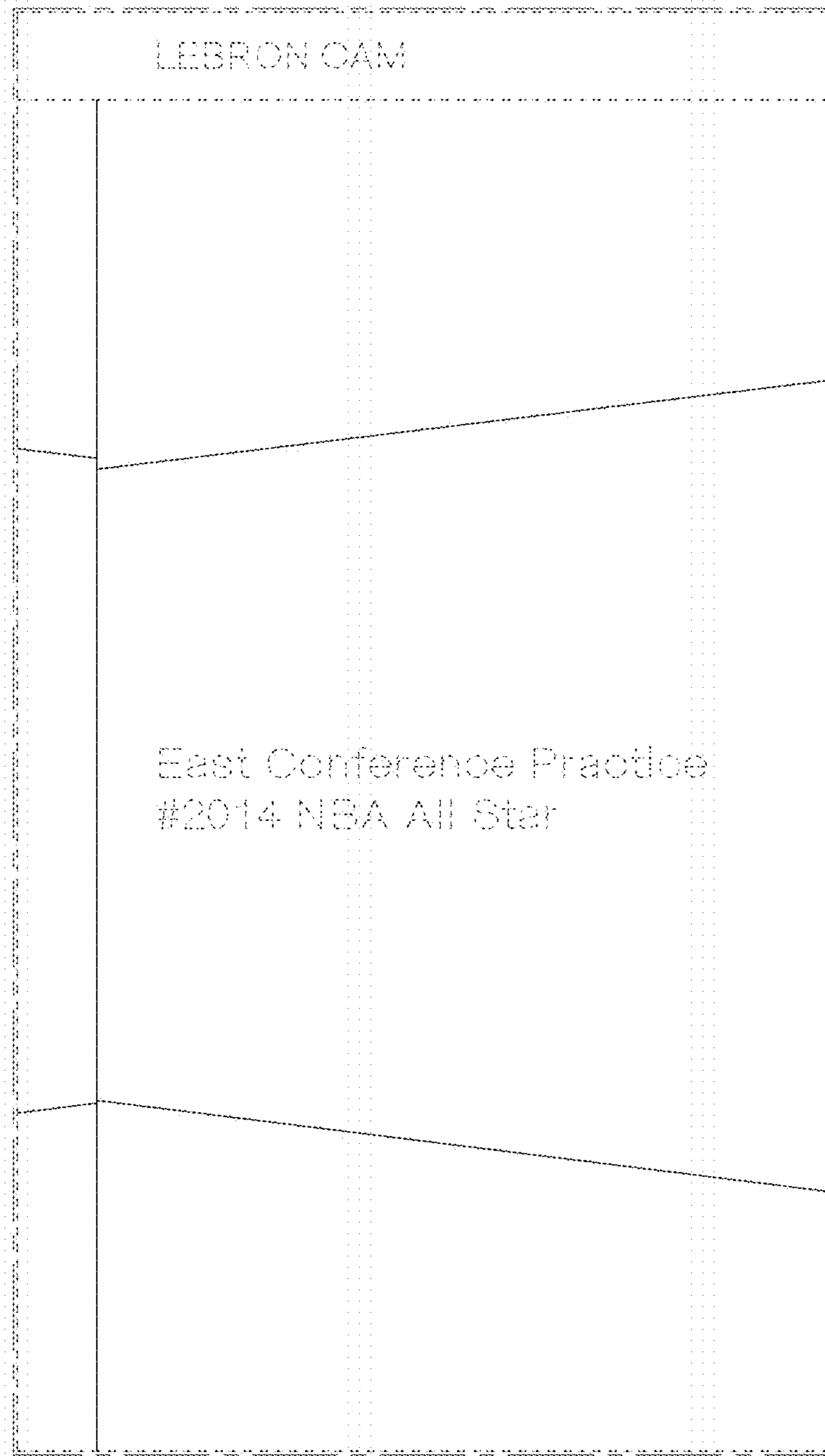
Fig. 3



**Fig. 4**



**Fig. 5**



**Fig. 6**

