

US00D766324S

(12) **United States Design Patent**
Crone et al.

(10) **Patent No.:** **US D766,324 S**
(45) **Date of Patent:** **** Sep. 13, 2016**

(54) **BREATHING APPARATUS DISPLAY SCREEN WITH GRAPHICAL USER INTERFACE**

(71) Applicant: **Fisher & Paykel Healthcare Limited**,
Auckland (NZ)

(72) Inventors: **Christopher Malcolm Crone**,
Auckland (NZ); **Christopher Simon James Quill**,
Auckland (NZ); **Jack Che-Wei Hsu**,
Manukau (NZ)

(73) Assignee: **FISHER & PAYKEL HEALTHCARE LIMITED** (NZ)

(**) Term: **14 Years**

(21) Appl. No.: **29/476,920**

(22) Filed: **Dec. 18, 2013**

(51) **LOC (10) Cl.** **14-04**

(52) **U.S. Cl.**
USPC **D14/492**

(58) **Field of Classification Search**
USPC D14/485-495
CPC G06F 3/0481; G06F 3/0482; G06F
3/04817; G06F 3/04883; G06F 3/04815;
G06F 3/0485; G06F 3/04886
See application file for complete search history.

(56) **References Cited**

U.S. PATENT DOCUMENTS

D533,875 S *	12/2006	Miles	D14/495
D683,764 S *	6/2013	Ridl	D14/492
D709,082 S *	7/2014	Meegan	D14/486
D709,083 S *	7/2014	Meegan	D14/486
D743,982 S *	11/2015	Lee	D14/486
D754,194 S *	4/2016	Su	D14/489
2015/0020801 A1 *	1/2015	Frame	A61M 16/0057 128/202.22

* cited by examiner

Primary Examiner — Deanna L Pratt

(74) *Attorney, Agent, or Firm* — Knobbe, Martens, Olson & Bear LLP

(57) **CLAIM**

The ornamental design for a breathing apparatus display screen with graphical user interface, as shown and described.

DESCRIPTION

FIG. 1 is a first front view of a transitional embodiment of a breathing apparatus display screen with graphical user interface;

FIG. 2 is a second front view of the transitional embodiment thereof;

FIG. 3 is a third front view of the transitional embodiment thereof;

FIG. 4 is a fourth front view of the transitional embodiment thereof;

FIG. 5 is a fifth front view of the transitional embodiment thereof;

FIG. 6 is a first front view of a second transitional embodiment thereof;

FIG. 7 is a second front view of the second transitional embodiment thereof;

FIG. 8 is a third front view of the second transitional embodiment thereof;

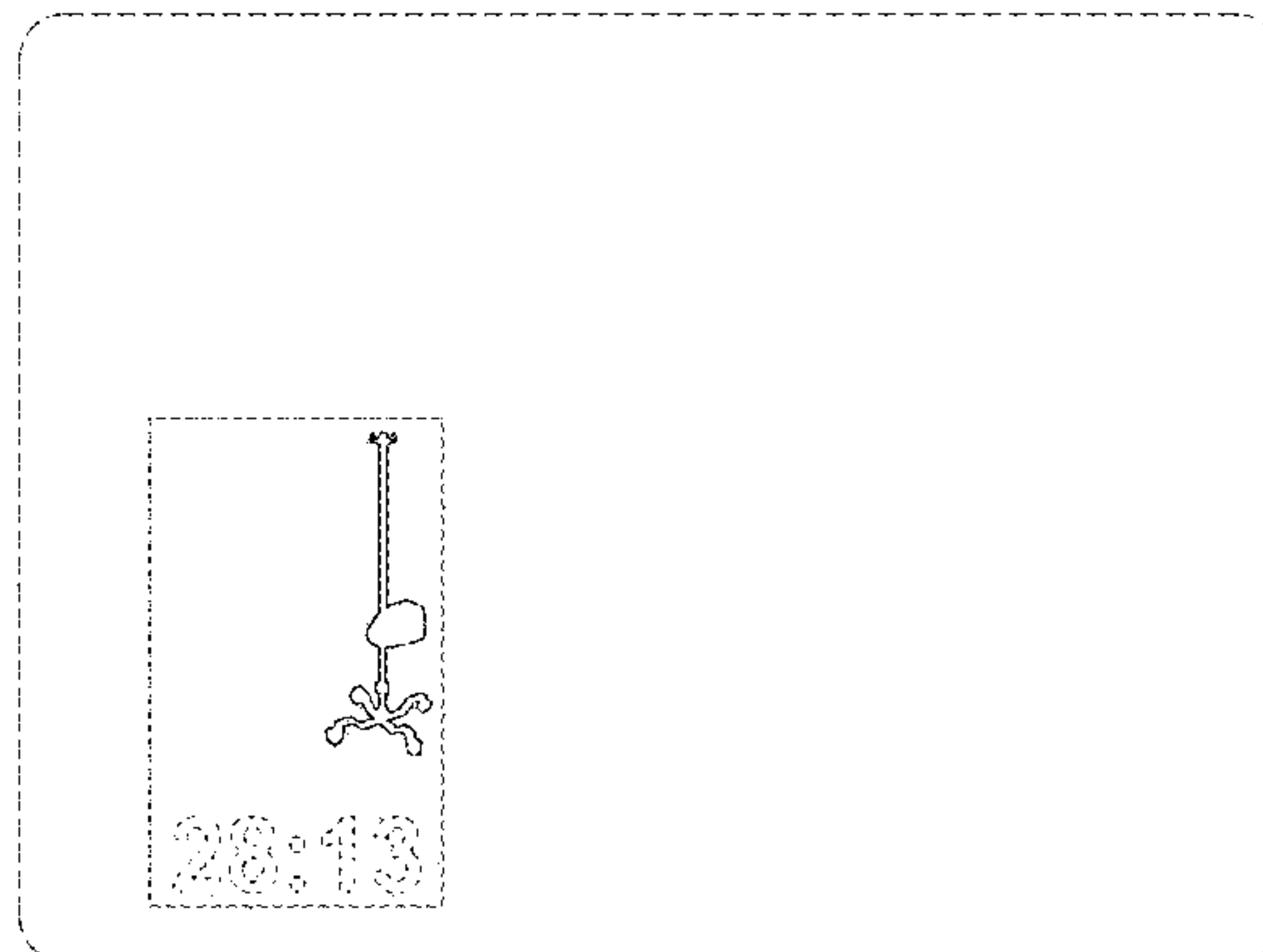
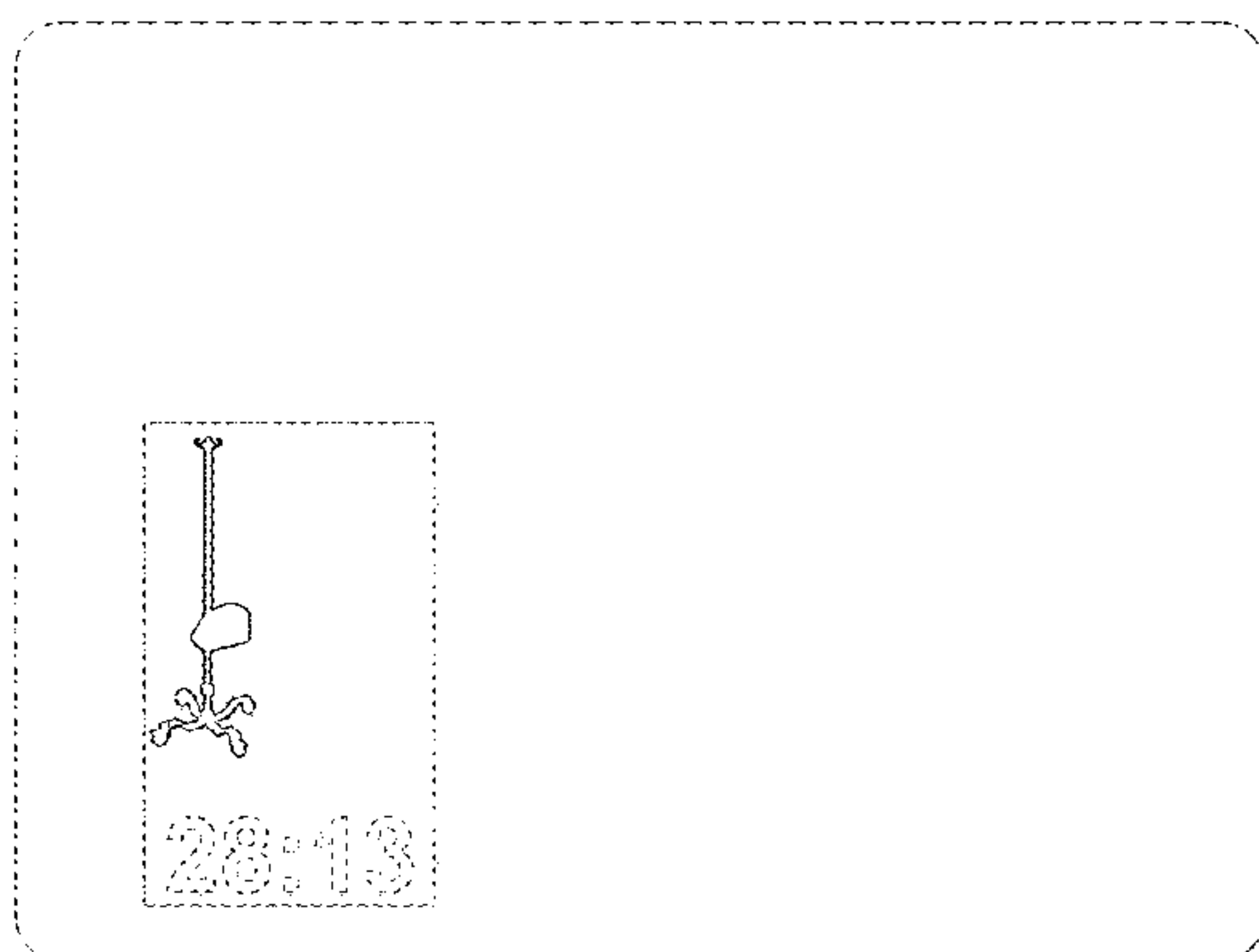
FIG. 9 is a fourth front view of the second transitional embodiment thereof; and,

FIG. 10 is a fifth front view of the second transitional embodiment thereof.

The broken lines in the Figures showing a display screen or portion thereof, text, and other elements form no part of the claimed design.

The appearance of the animated images sequentially transitions between the images shown in FIGS. 1-5 or FIGS. 6-10. The process or period in which one image transitions to another forms no part of the claimed design.

1 Claim, 10 Drawing Sheets



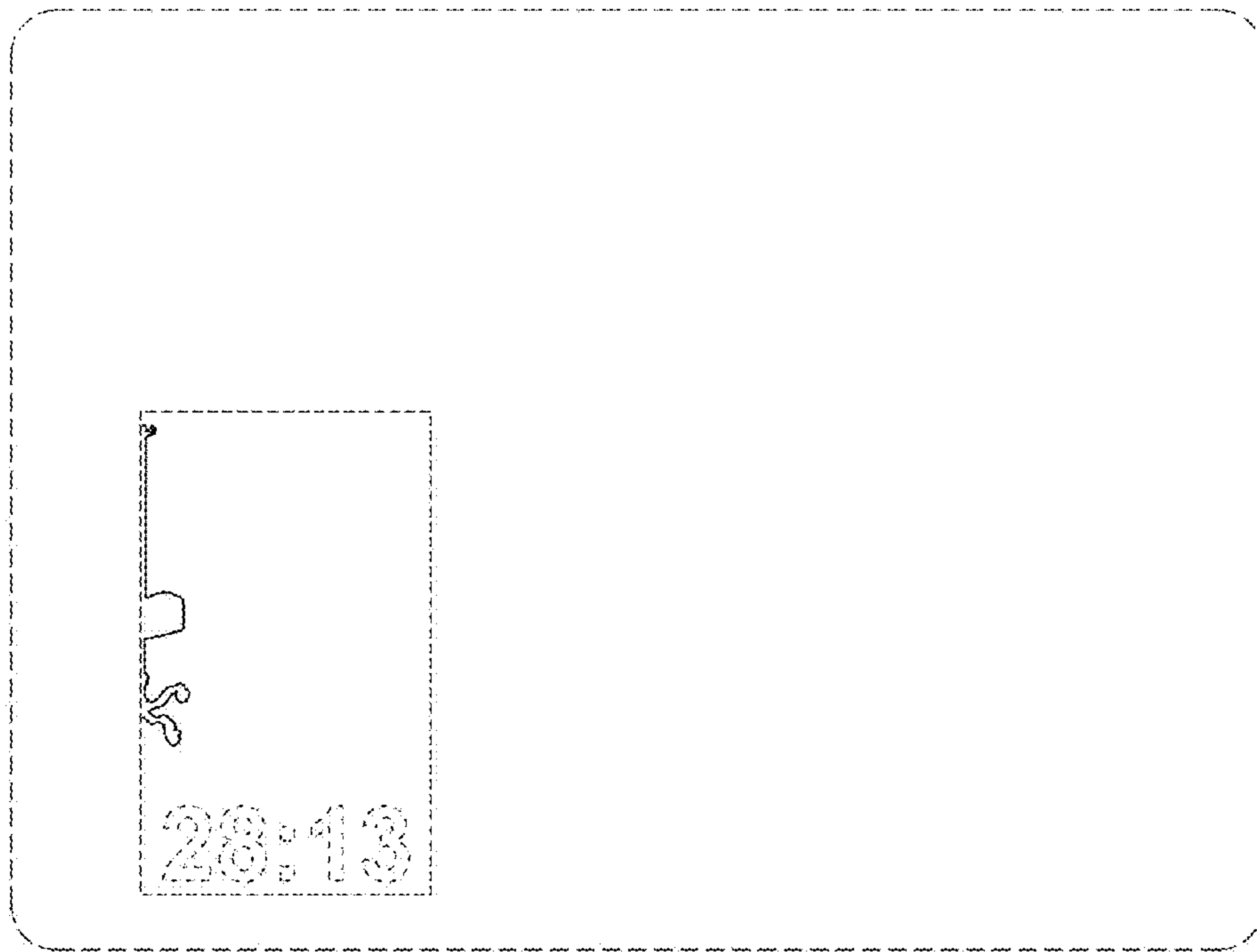


FIG. 1

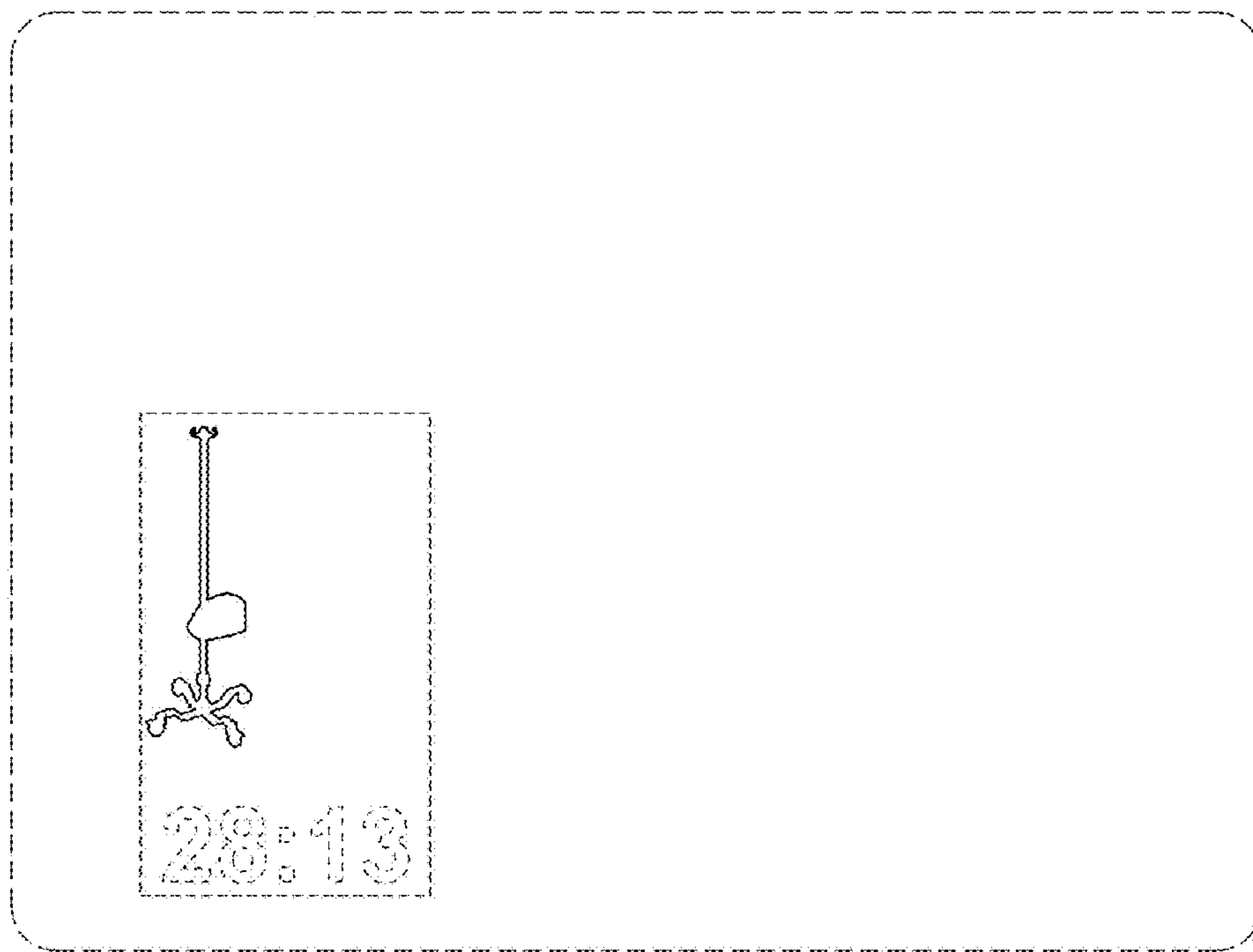


FIG. 2

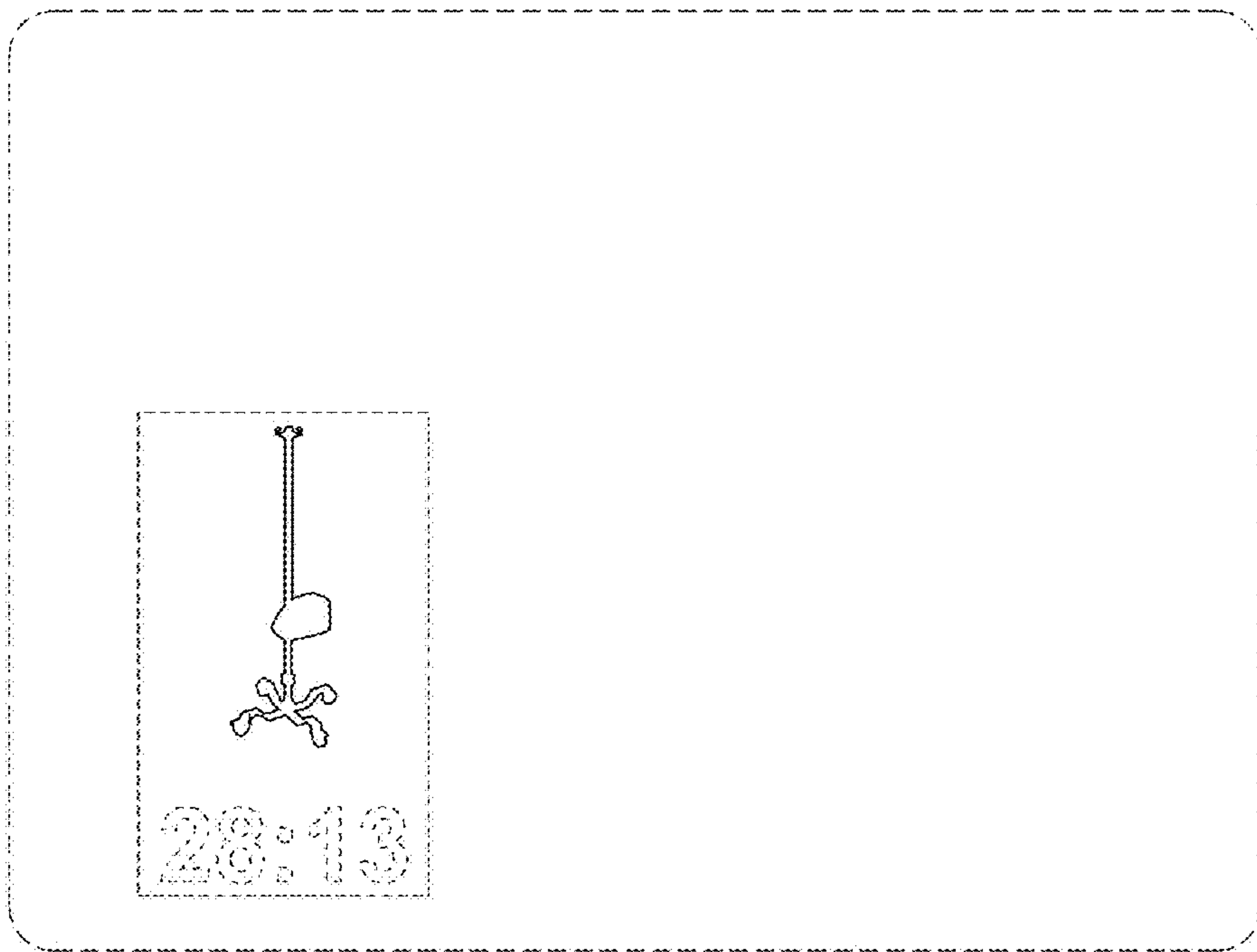


FIG. 3

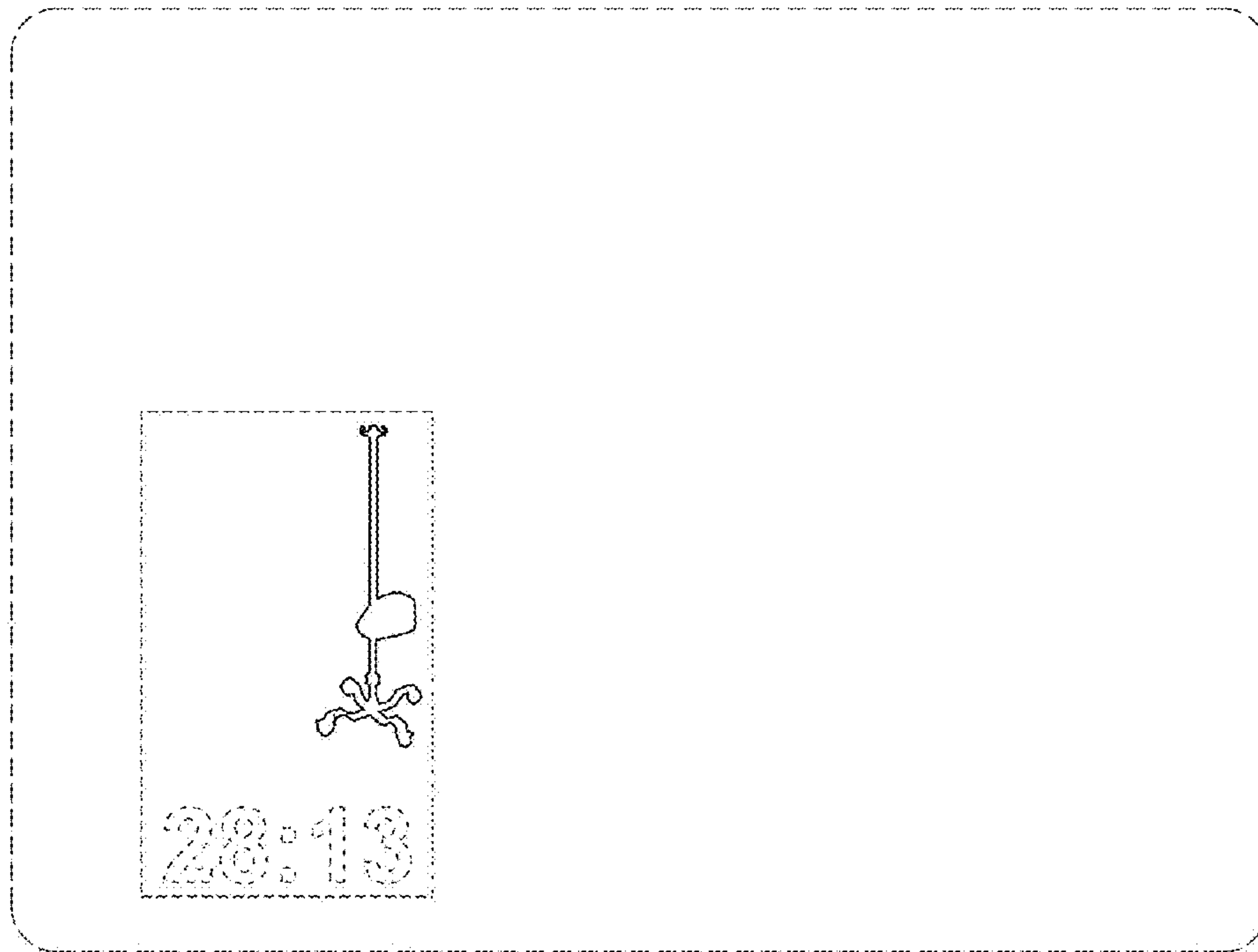


FIG. 4

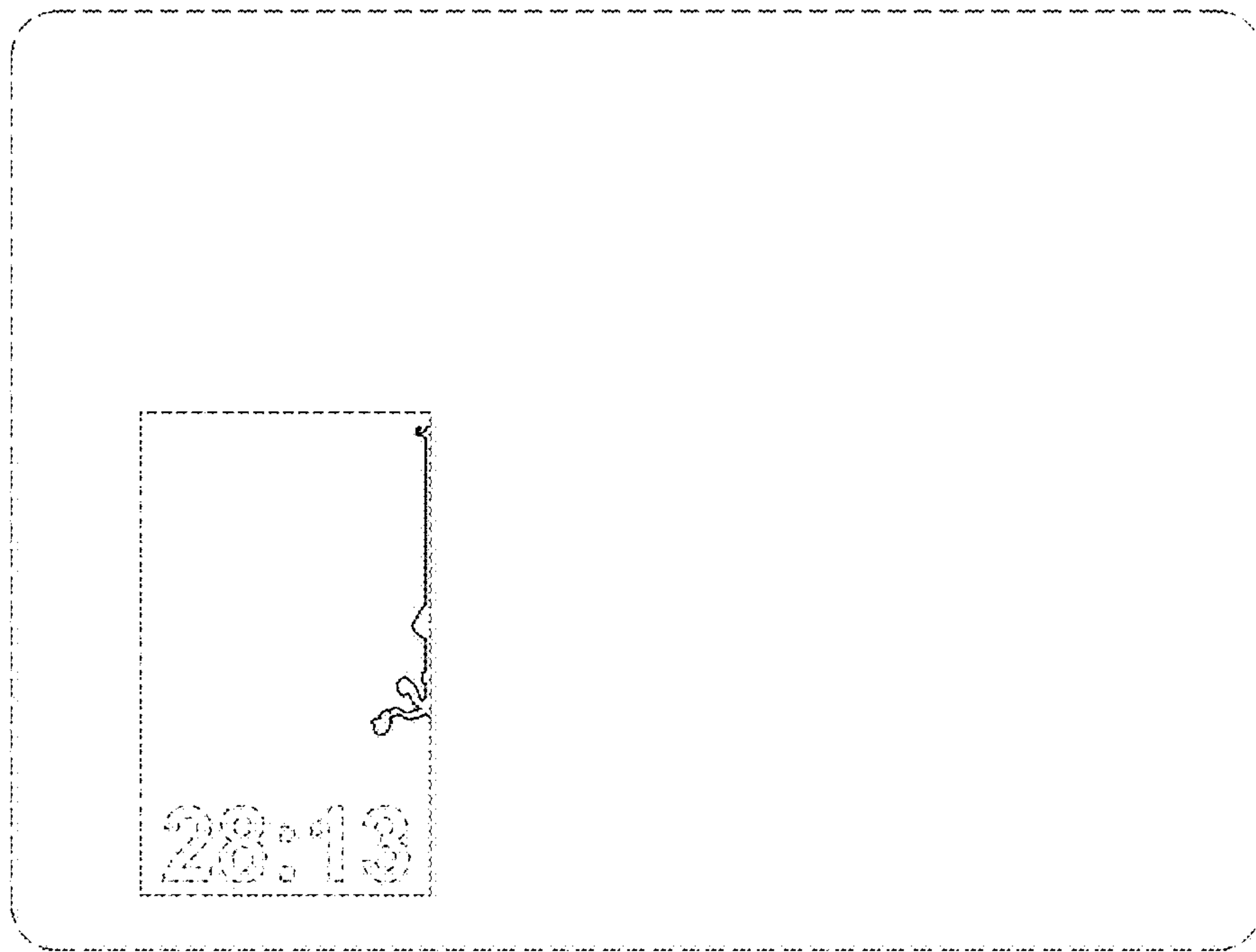


FIG. 5

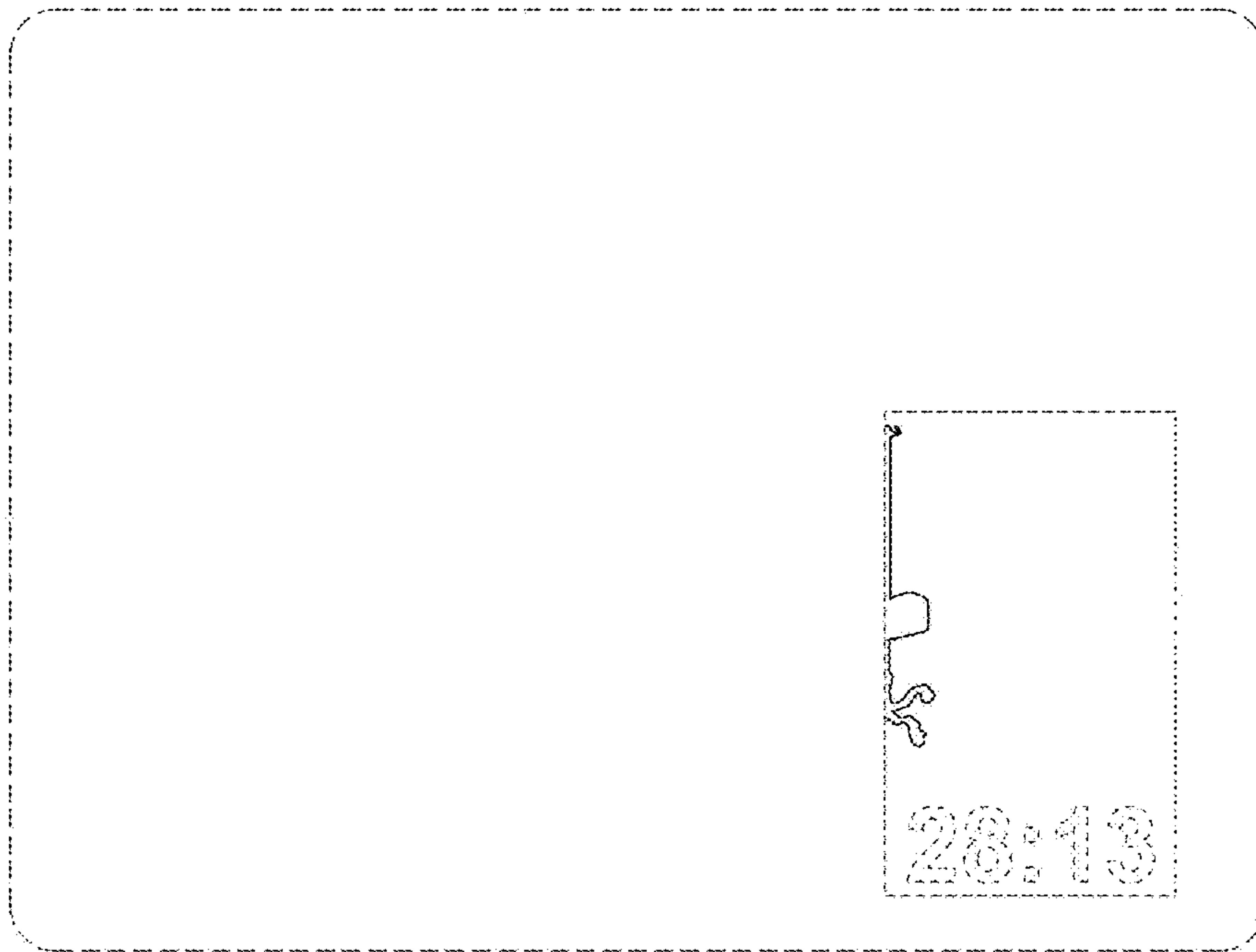


FIG. 6

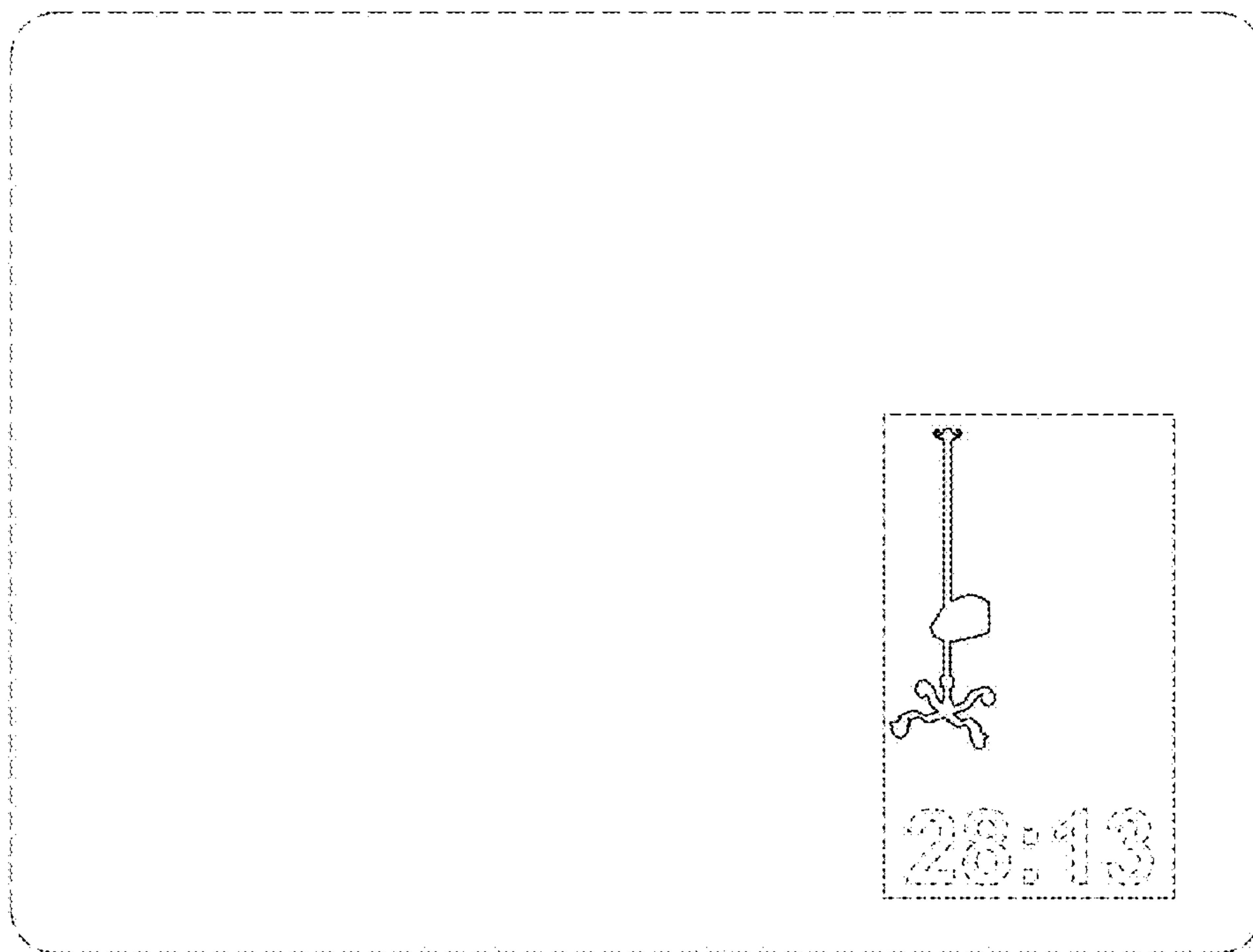


FIG. 7

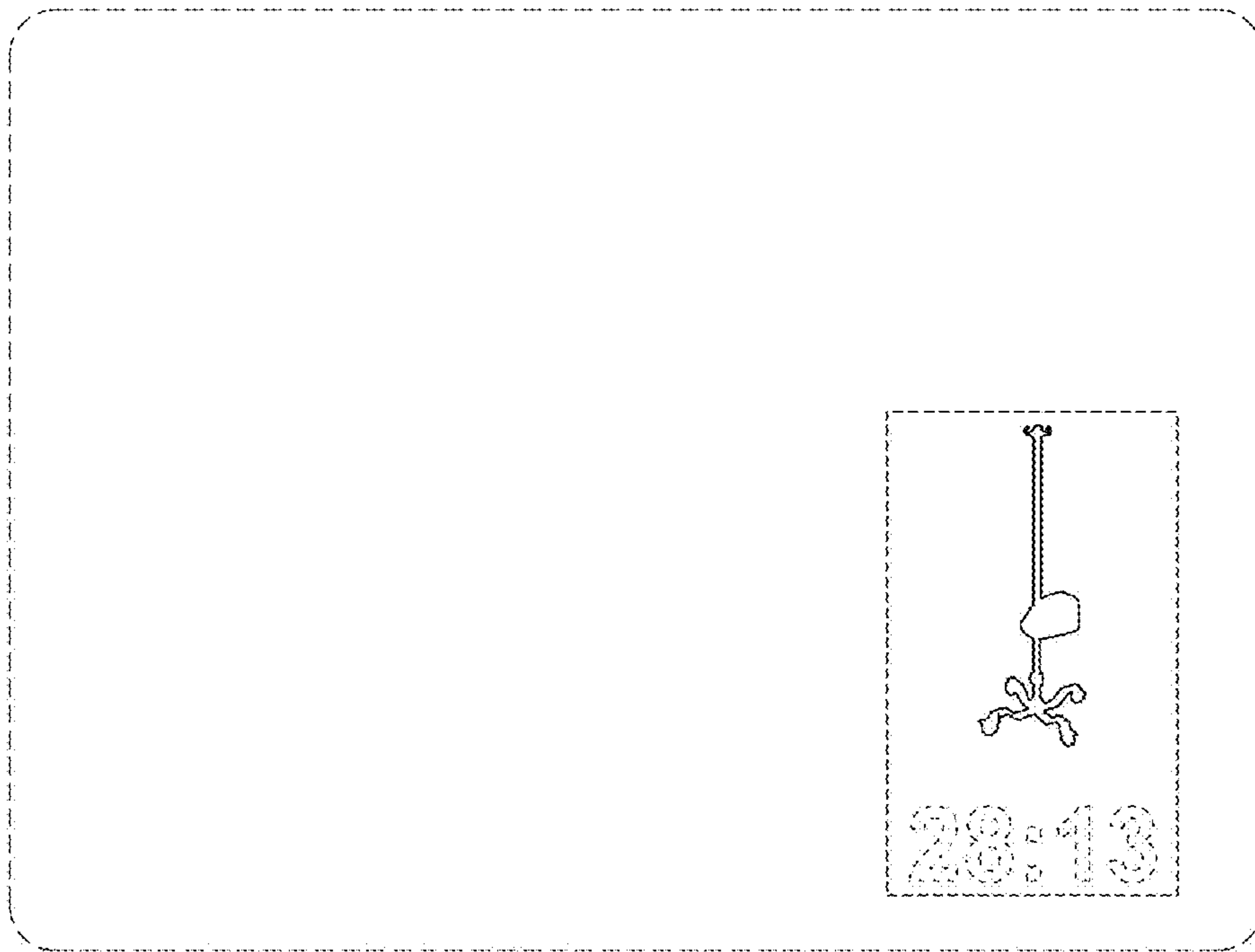


FIG. 8

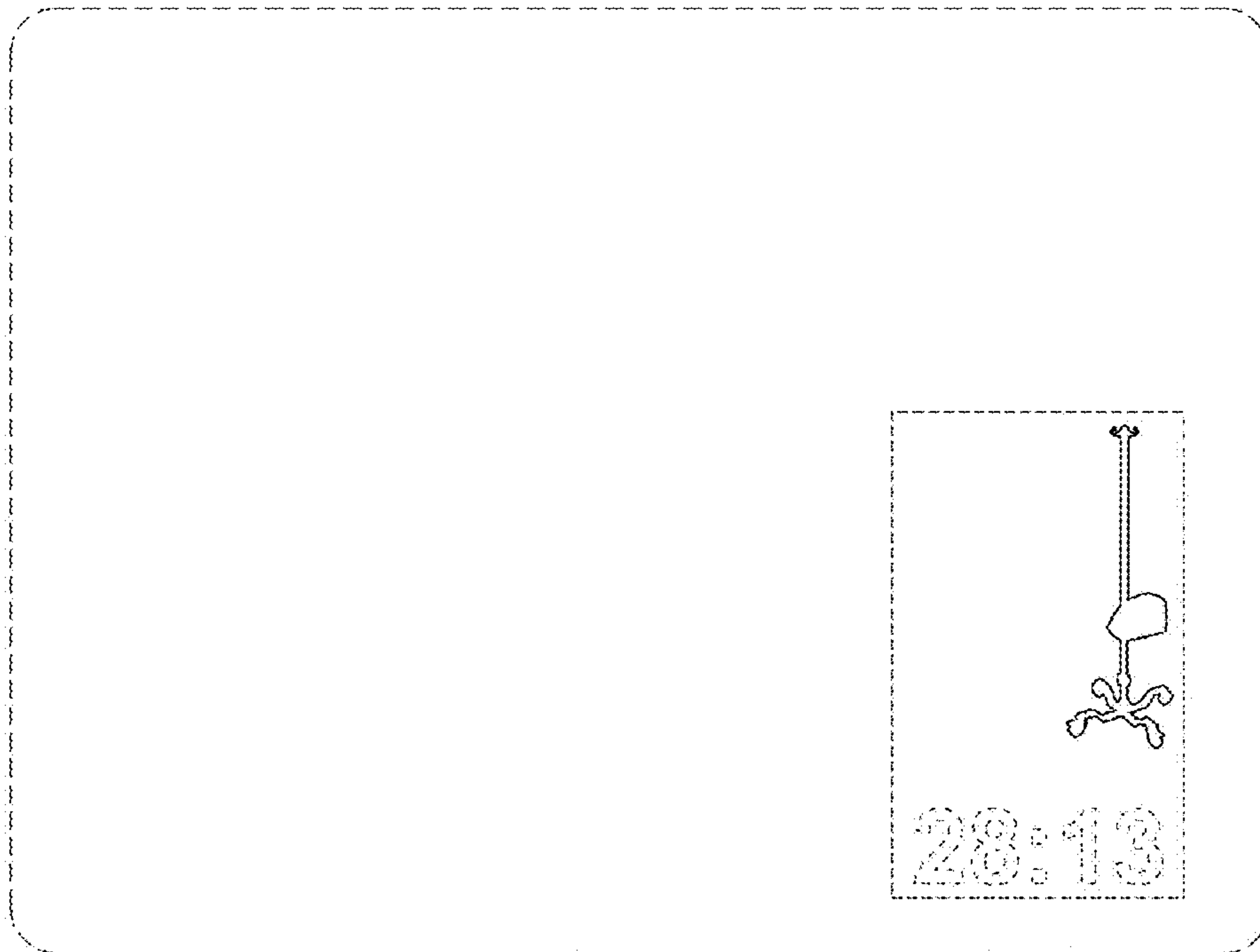


FIG. 9

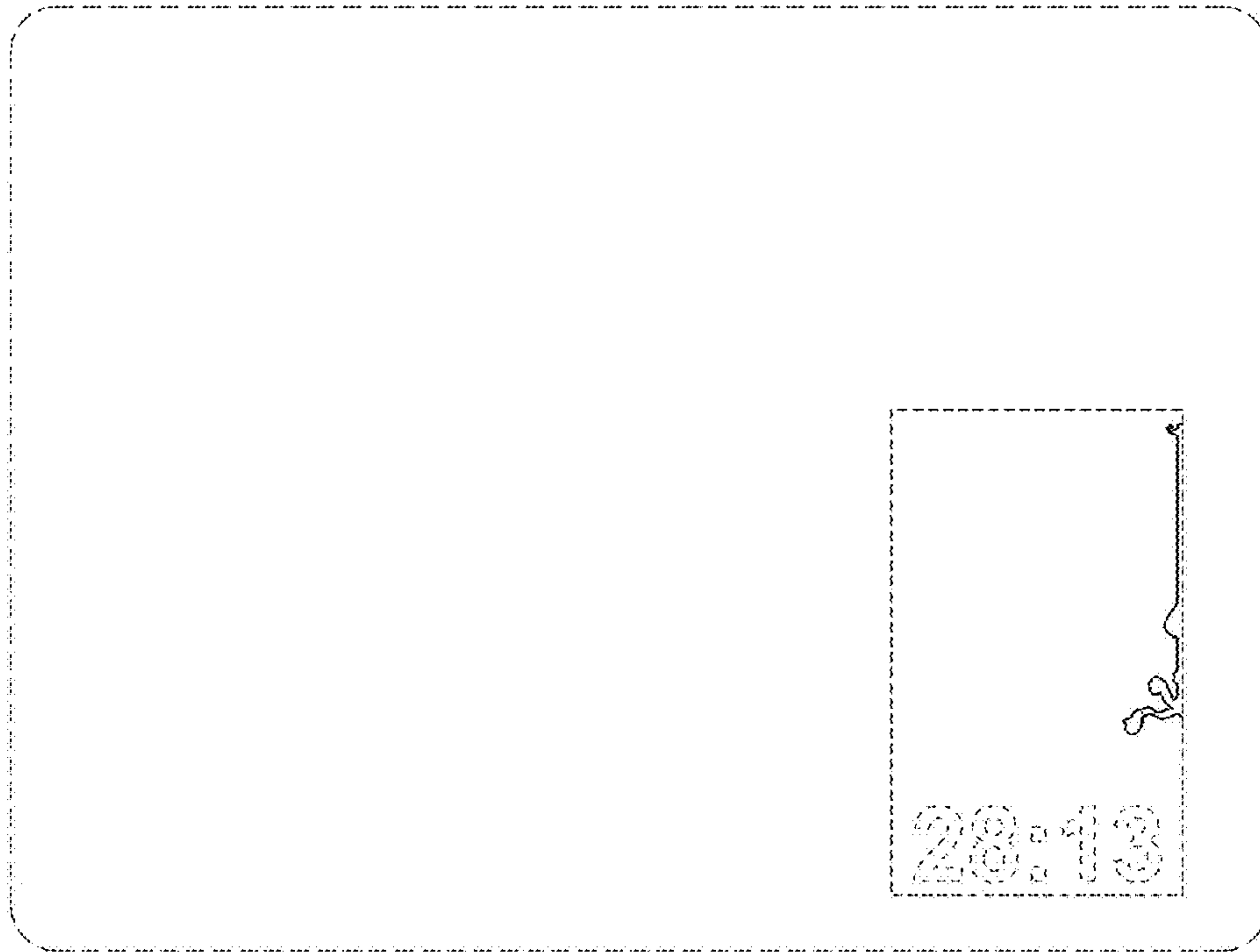


FIG. 10