



US00D766305S

(12) **United States Design Patent** (10) **Patent No.:** **US D766,305 S**  
**Mochizuki et al.** (45) **Date of Patent:** **\*\* Sep. 13, 2016**

(54) **PORTION OF A VEHICLE DISPLAY SCREEN WITH GRAPHICAL USER INTERFACE**

(71) Applicant: **Panasonic Intellectual Property Management Co., Ltd.**, Osaka-shi, Osaka (JP)

(72) Inventors: **Makoto Mochizuki**, Kanagawa (JP); **Koichi Emura**, Kanagawa (JP); **Eriko Ohdachi**, Kanagawa (JP); **Tetsuo Matsuse**, Kanagawa (JP)

(73) Assignee: **PANASONIC INTELLECTUAL PROPERTY MANAGEMENT CO., LTD.**, Osaka (JP)

(\*\*) Term: **14 Years**

(21) Appl. No.: **29/507,899**

(22) Filed: **Oct. 31, 2014**

(30) **Foreign Application Priority Data**

May 21, 2014 (JP) ..... 2014-010809  
May 21, 2014 (JP) ..... 2014-010814

(51) **LOC (10) Cl.** ..... **14-04**

(52) **U.S. Cl.**  
USPC ..... **D14/487**

(58) **Field of Classification Search**  
USPC ..... D14/485-495; 715/763, 772  
CPC ..... G06F 3/04845; G06F 3/04847; G06F 1/1692; G06F 3/04817; G06F 15/02; G06Q 10/063114; H04N 1/00477; G11B 27/34; G06T 13/80

See application file for complete search history.

(56) **References Cited**

**U.S. PATENT DOCUMENTS**

D493,471 S \* 7/2004 McIntosh ..... D14/485  
D525,632 S 7/2006 Jost et al.  
7,185,280 B2 \* 2/2007 Deganello ..... G06F 17/248  
715/243  
D550,696 S \* 9/2007 Kortum ..... D14/491

D568,336 S 5/2008 Miglietta et al.  
D650,798 S \* 12/2011 Impas ..... D14/492  
8,082,499 B2 \* 12/2011 Hudson ..... A63F 13/10  
715/702  
D654,415 S \* 2/2012 Mizuno ..... D12/192  
D690,720 S \* 10/2013 Waldman ..... D14/485  
D702,257 S \* 4/2014 Wantland ..... D14/489  
D708,638 S 7/2014 Manzari et al.  
D712,421 S 9/2014 Inose et al.  
D715,808 S \* 10/2014 Ishimoto ..... D14/485  
D726,741 S \* 4/2015 Lee ..... D14/485  
9,081,419 B2 \* 7/2015 Tocino Diaz ..... G06F 3/017  
D749,606 S \* 2/2016 Wang ..... D14/486  
D750,663 S \* 3/2016 Mariet ..... D14/489  
D754,189 S \* 4/2016 Mariet ..... D14/489  
2008/0259590 A1 \* 10/2008 De  
Goederen-Oei .... G06F 3/04847  
362/85  
2014/0331166 A1 \* 11/2014 Li ..... G06F 3/0481  
715/772  
2015/0212724 A1 \* 7/2015 Manba ..... G06F 3/0488  
715/794

(Continued)

**FOREIGN PATENT DOCUMENTS**

JP D1490669 S 2/2014  
JP D1490670 S 2/2014

(Continued)

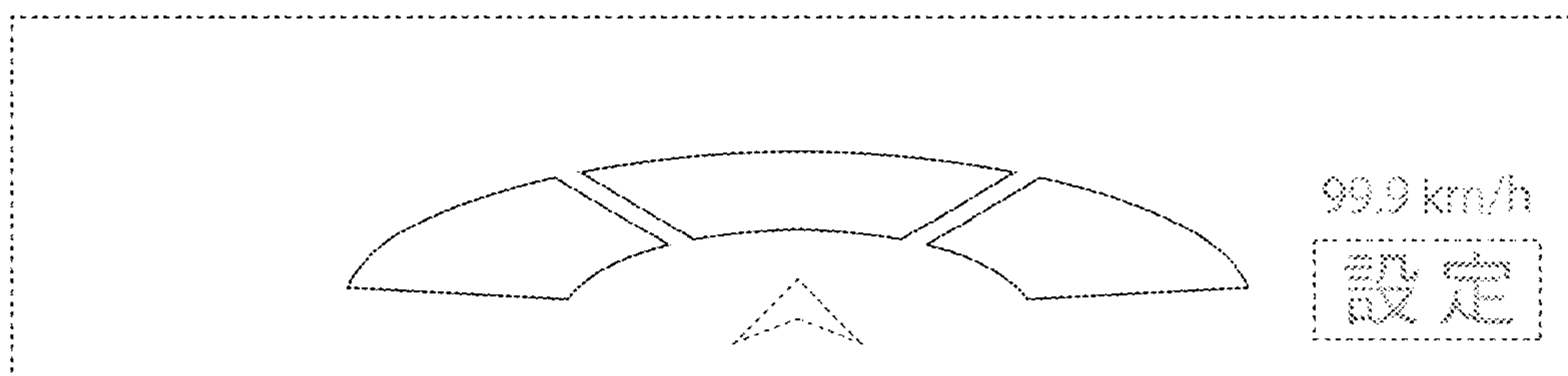
*Primary Examiner* — Barbara Fox  
*Assistant Examiner* — Kimberly Barnes  
(74) *Attorney, Agent, or Firm* — Brinks Gilson & Lione

(57) **CLAIM**  
We claim the ornamental design for a portion of a vehicle display screen with graphical user interface, as shown and described.

**DESCRIPTION**

The FIGURE is a front view of a portion of a vehicle display screen with graphical user interface of the present invention. The broken lines represent portions of the vehicle display screen with graphical user interface that form no part of the claimed design.

**1 Claim, 1 Drawing Sheet**



# US D766,305 S

Page 2

---

(56)

## References Cited

## FOREIGN PATENT DOCUMENTS

### U.S. PATENT DOCUMENTS

2015/0251600 A1\* 9/2015 Mochizuki ..... B60R 1/001  
345/7  
2015/0254983 A1\* 9/2015 Mochizuki ..... G08G 1/165  
340/435

JP D1490671 S 2/2014  
JP D1490672 S 2/2014  
JP D1506936 S 9/2014

\* cited by examiner

