



US00D766282S

(12) **United States Design Patent** (10) **Patent No.:** **US D766,282 S**
Kaplan et al. (45) **Date of Patent:** **** Sep. 13, 2016**

(54) **DISPLAY PANEL WITH AN ANIMATED COMPUTER ICON**

(71) Applicant: **Google Inc.**, Mountain View, CA (US)

(72) Inventors: **Joshua Robin Kaplan**, San Francisco, CA (US); **Gustavo Sonoda**, London (GB)

(73) Assignee: **Google Inc.**, Mountain View, CA (US)

(**) Term: **14 Years**

(21) Appl. No.: **29/488,750**

(22) Filed: **Apr. 23, 2014**

(51) **LOC (10) Cl.** **14-04**

(52) **U.S. Cl.**
USPC **D14/486**

(58) **Field of Classification Search**
USPC D14/485-488
CPC H04M 1/2477; G06F 2203/04807;
G06F 3/0482; G06F 1/163; A61B 5/681
See application file for complete search history.

(56) **References Cited**

U.S. PATENT DOCUMENTS

D485,279	S	*	1/2004	DeCombe	D14/486
D497,617	S	*	10/2004	Decombe	D14/486
D603,421	S	*	11/2009	Ebeling	D14/489
D644,661	S	*	9/2011	Gardner	D14/495
8,386,961	B2	*	2/2013	Buffet	G06F 3/0482 715/825
D689,089	S	*	9/2013	Impas	D14/489
D699,745	S	*	2/2014	Pearson	D14/488
D699,749	S	*	2/2014	Pearson	D14/488
D712,911	S	*	9/2014	Pearson	D14/486
D713,415	S	*	9/2014	Lee	D14/486
8,884,985	B2	*	11/2014	Shibata	G06F 3/0425 345/158
D726,221	S	*	4/2015	Gomez	D14/492
D737,325	S	*	8/2015	Kim	D14/489
D745,895	S	*	12/2015	Clare	D14/495

(Continued)

OTHER PUBLICATIONS

Android Developers, Introducing Android Wear Developer Preview, Mar. 18, 2014, Youtube.com [online], [site visited Dec. 9, 2015]. Available from Internet: < <https://www.youtube.com/watch?v=0xQ3y902DEQ>>.*

(Continued)

Primary Examiner — Karen E Kearney

Assistant Examiner — Katherine Holbrow

(74) *Attorney, Agent, or Firm* — Fish & Richardson P.C.

(57) **CLAIM**

The ornamental design for a display panel with an animated computer icon, substantially as shown and described.

DESCRIPTION

FIG. 1 is a front view of a first image in a sequence for a display panel with an animated computer icon, showing our new design.

FIG. 2 is a front view of the second image in the sequence.

FIG. 3 is a front view of the third image in the sequence.

FIG. 4 is a front view of the fourth image in the sequence.

FIG. 5 is a front view of the fifth image in the sequence.

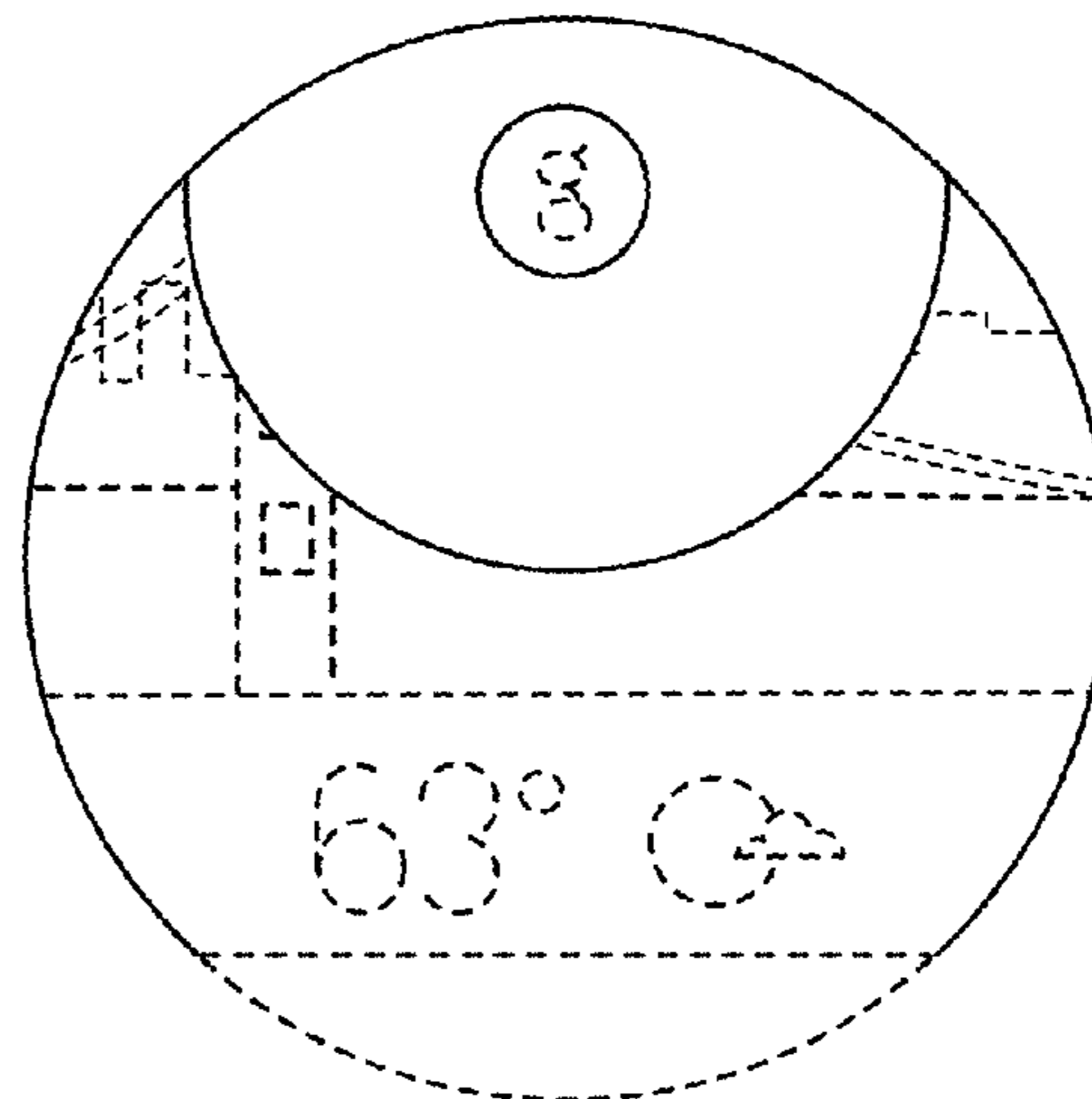
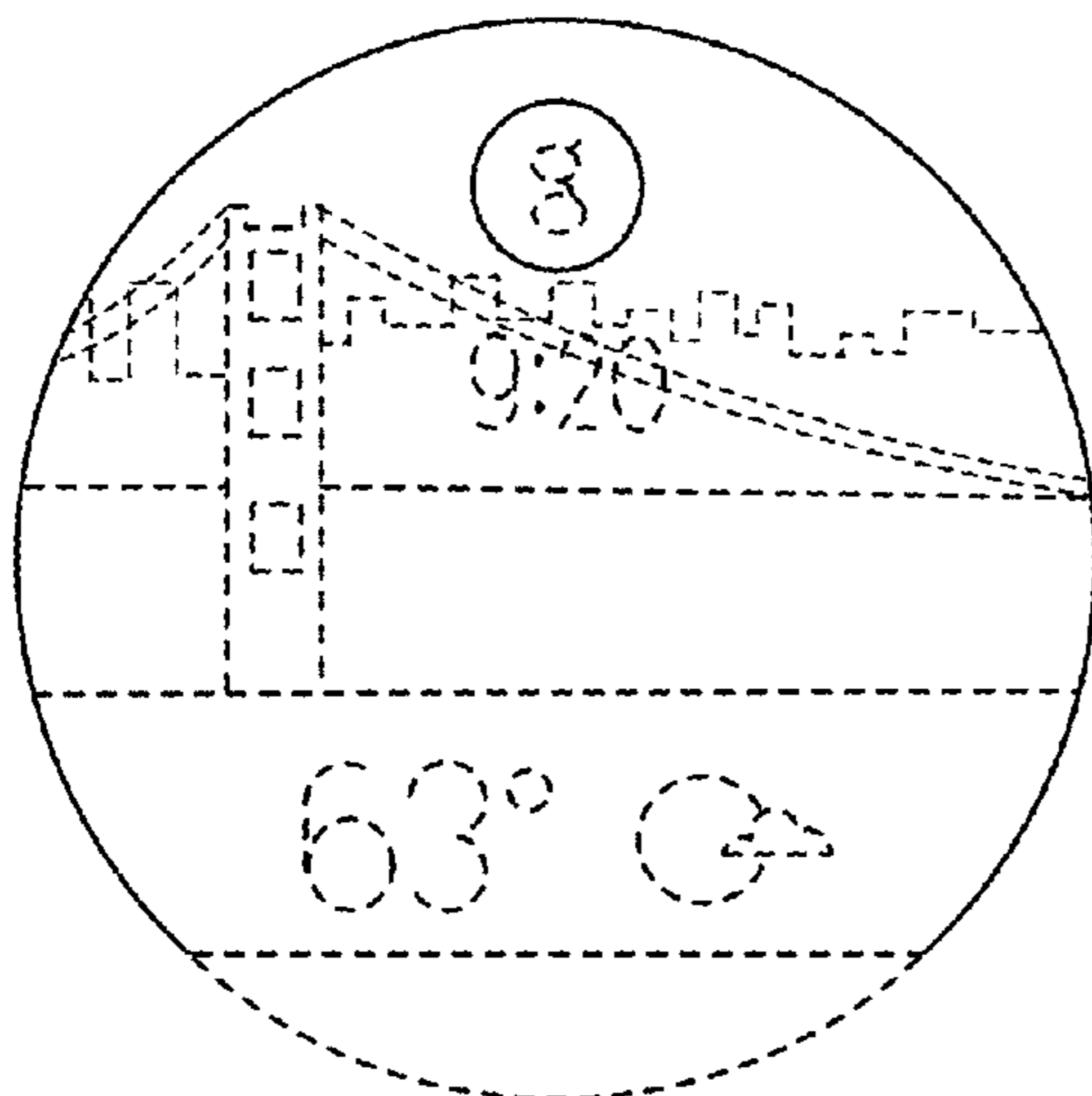
FIG. 6 is a front view of the sixth image in the sequence; and,

FIG. 7 is a front view of the seventh image in the sequence.

The appearance of the transitional image sequentially transitions between the images shown in FIGS. 1-7. The process or period in which the images transition forms no part of the claimed design.

The broken lines showing a portion of the display panel and portions of the animated computer icon are included for the purpose of illustrating environmental structure and form no part of the claimed design. The curved outer solid line represents a portion of the display panel, which forms part of the claimed design.

1 Claim, 2 Drawing Sheets



(56)

References Cited

U.S. PATENT DOCUMENTS

D749,107 S *	2/2016	Amiya	D14/486
D751,599 S *	3/2016	Connolly	D14/488
D753,708 S *	4/2016	Yang	D14/488
D753,716 S *	4/2016	Torres	D14/491
9,317,155 B2 *	4/2016	Magi	G06F 3/0414
D758,395 S *	6/2016	Gutierrez	D14/486
D758,422 S *	6/2016	Zhao	D14/488
2014/0195979 A1 *	7/2014	Branton	G06F 3/0482 715/834

OTHER PUBLICATIONS

CourtlyHades296, Second World War British dog tag, Jun. 8, 2013, wikipedia.com [online], [site visited Dec. 9, 2015]. Available from Internet: <[https://en.wikipedia.org/wiki/Dog_tag#/media/File:Second_World_War_British_dog_tag_reverse_side_\(RAF\).jpg](https://en.wikipedia.org/wiki/Dog_tag#/media/File:Second_World_War_British_dog_tag_reverse_side_(RAF).jpg)>.*

David, Nash, Android Wear finally comes to iOS, Tech2, Sep. 1, 2015, tech.firstpost.com, [online], [site visited Dec. 9, 2015]. Available from Internet: <<<http://tech.firstpost.com/news-analysis/google-wear-finally-comes-to-ios-now-use-a-google-smartwatch-with-your-iphone-279780.html>>>.*

Davies, Chris, Moto 360 and Android Wear, Mar. 18, 2014, slashgear.com [online], [site visited Dec. 9, 2015]. Available from Internet: <<http://www.slashgear.com/moto-360-and-android-wear-motorola-talks-wearables-18321145/>>.*

Google Lo smartwatch Wear trovera, Mar. 19, 2015, android.hdblog.it [online], [site visited Dec. 9, 2015]. Available from Internet: <<http://android.hdblog.it/2015/03/19/gestione-dispositivi-android-wear-google/>>.*

Kellex, Jan. 15, 2013, This Google Time Smartwatch UI Concept is Neat, Droid Life.com [online], [site visited Dec. 9, 2015]. Available from Internet: <http://www.droid-life.com/2013/01/15/this-google-time-smartwatch-ui-concept-is-neat/>.*

Red Dingo Australia, Pet ID tags, Jun. 3, 2011, Google.com [online], [site visited Dec. 9, 2015]. Available from Internet: <<http://reddingo.com.au/products/tags/>>.*

* cited by examiner

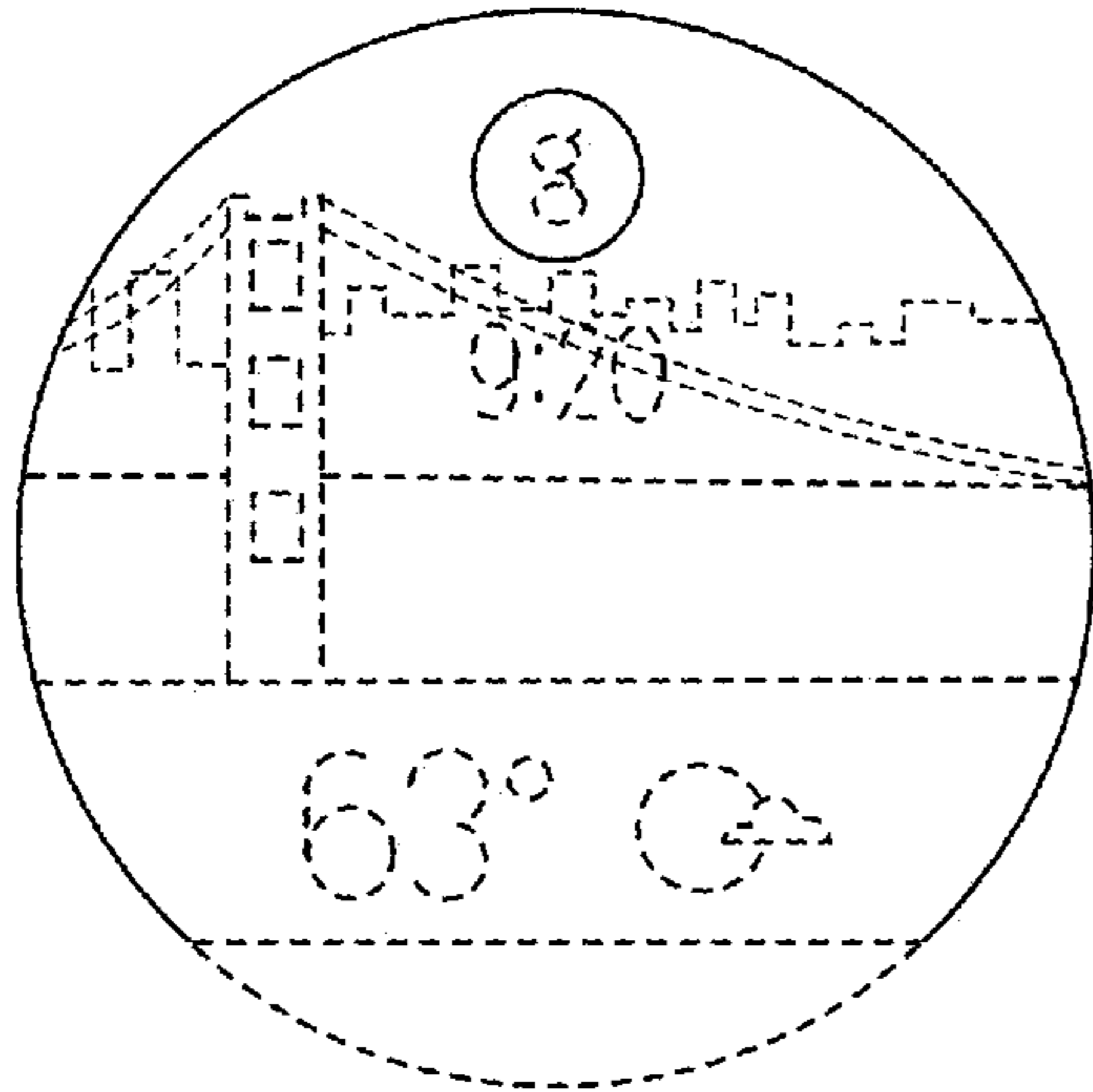


FIG. 1

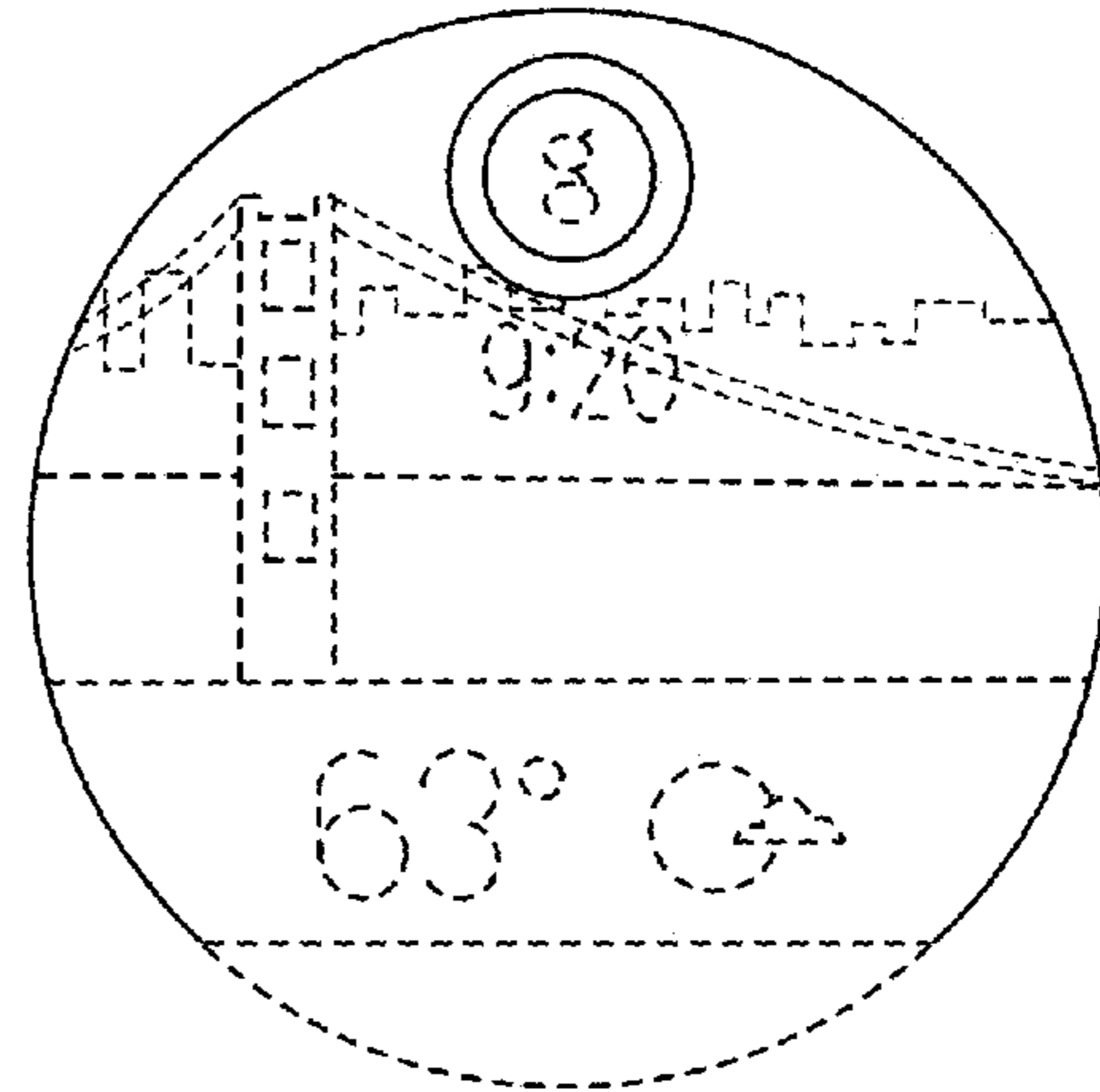


FIG. 2

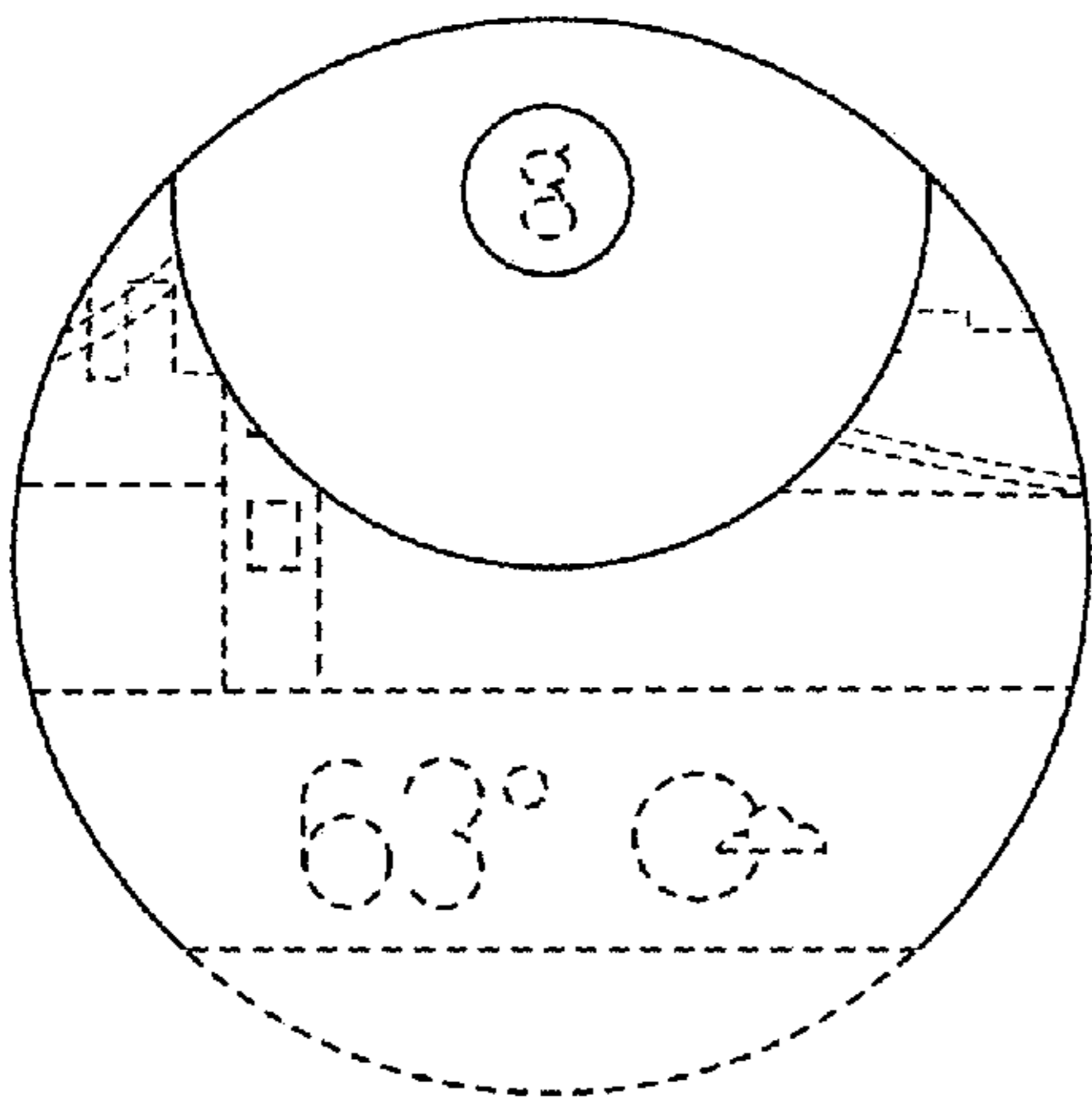


FIG. 3

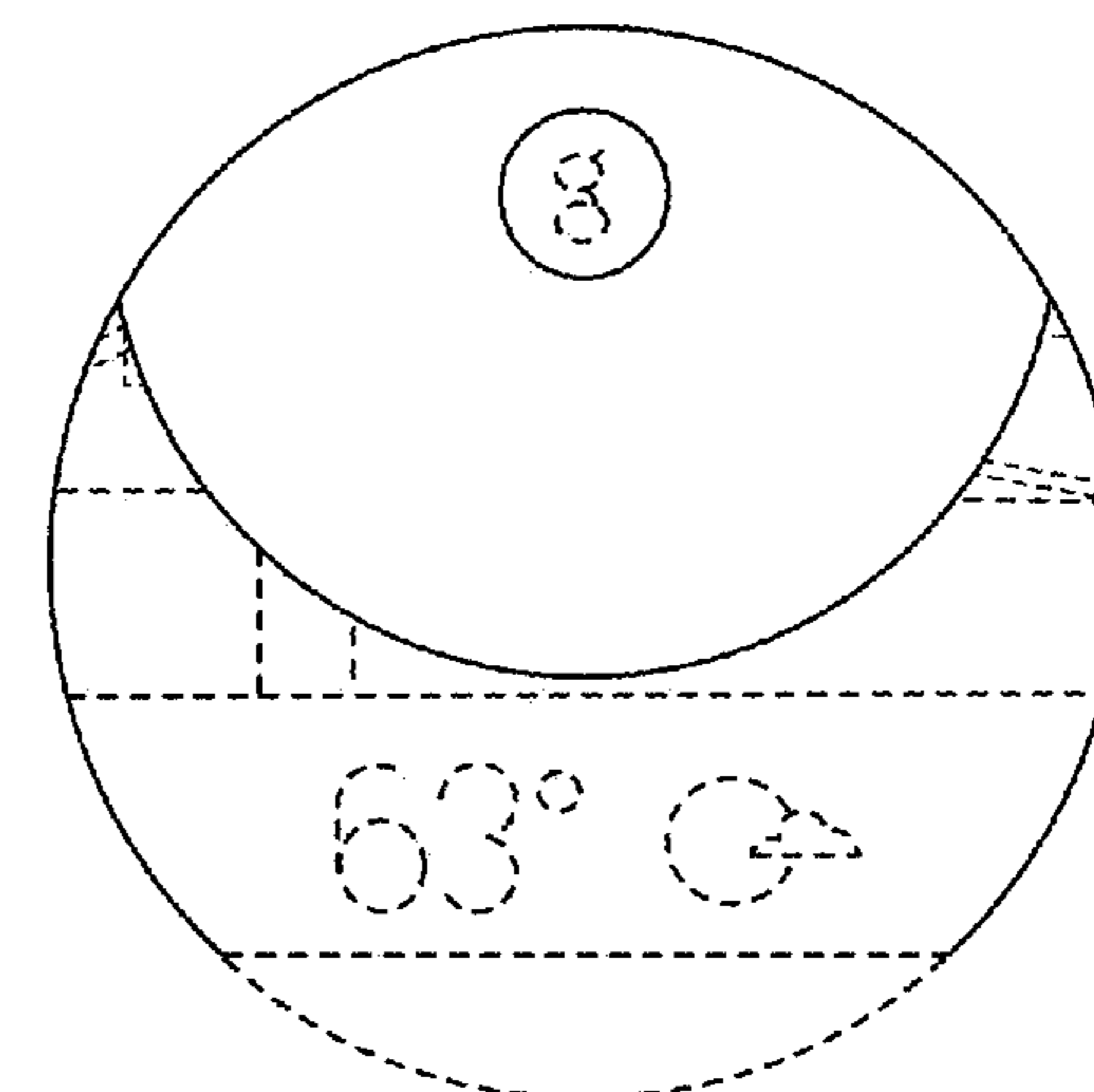


FIG. 4

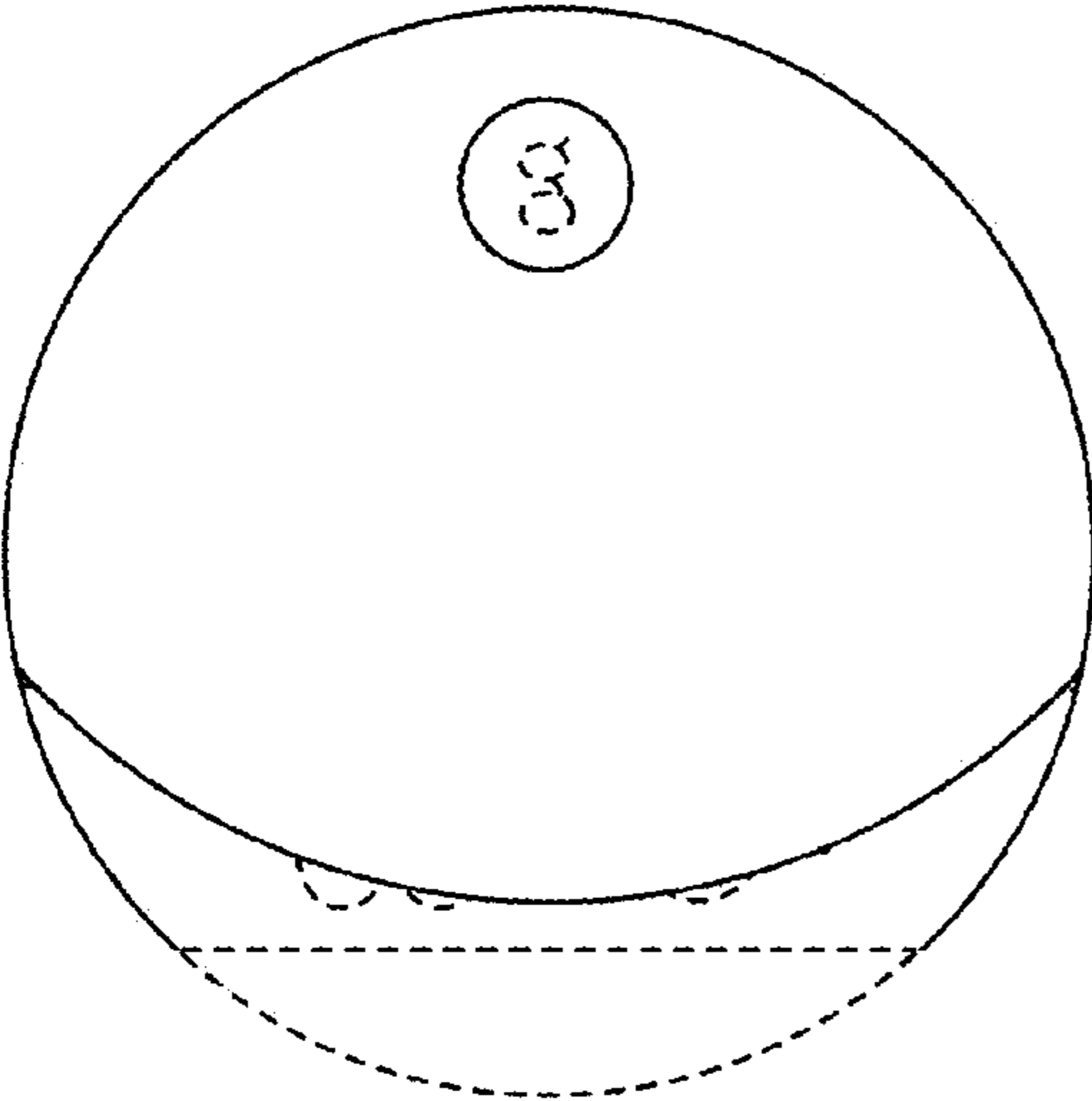


FIG. 5

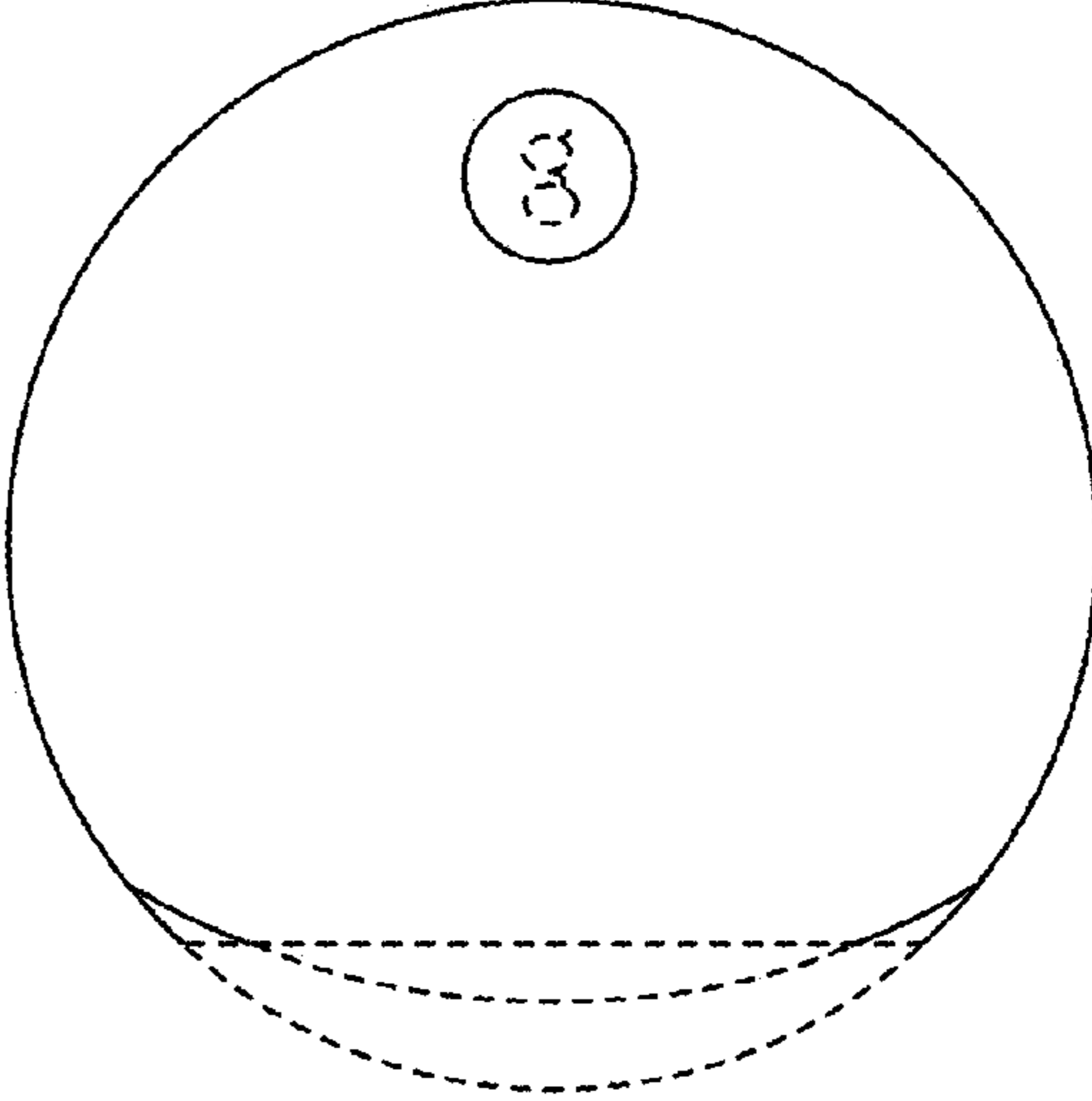


FIG. 6

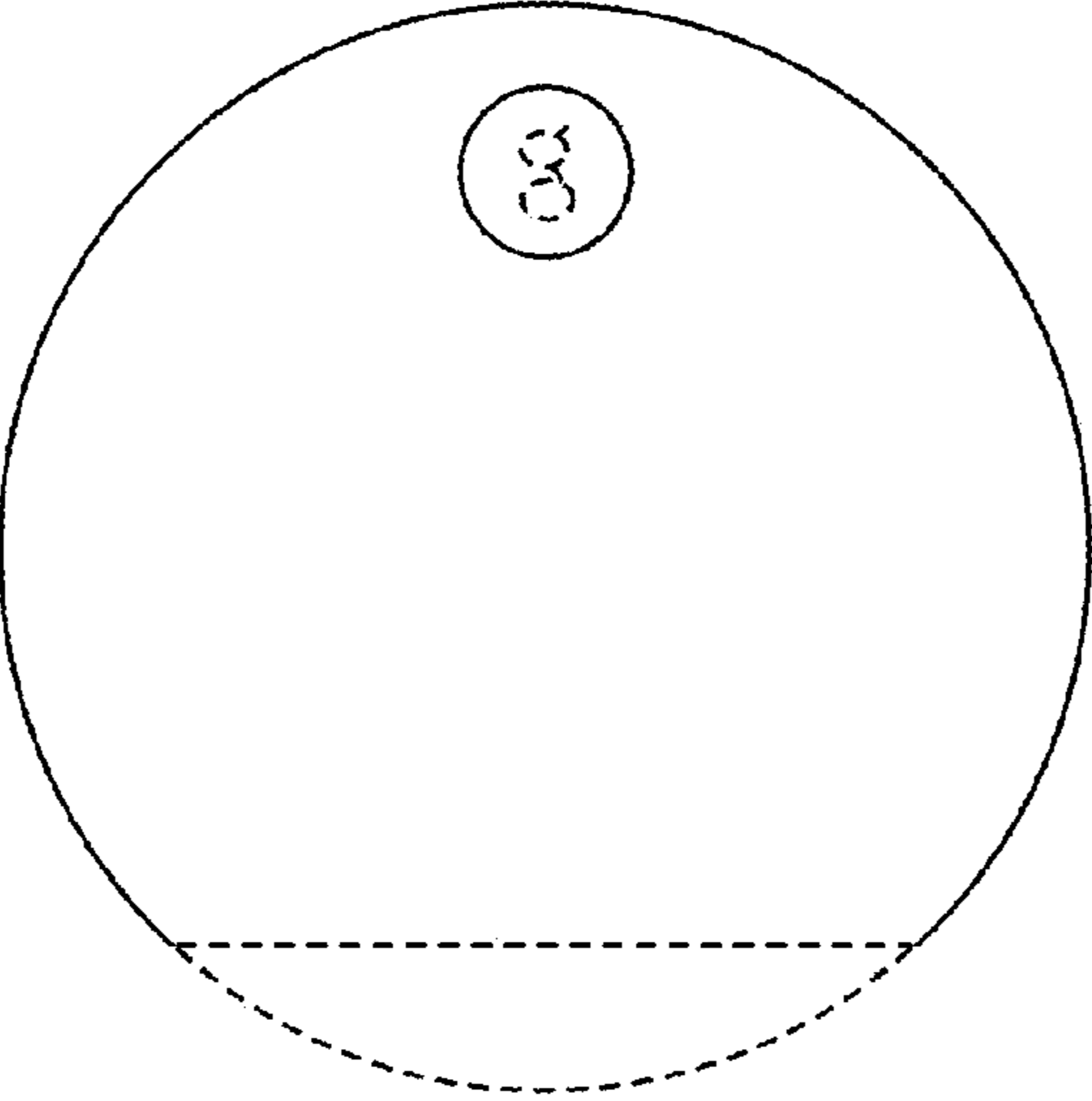


FIG. 7