



US00D766251S

(12) **United States Design Patent** (10) **Patent No.:** **US D766,251 S**
Sawai et al. (45) **Date of Patent:** **** Sep. 13, 2016**

(54) **DISC CARTRIDGE**
(71) Applicant: **Sony Corporation**, Tokyo (JP)
(72) Inventors: **Jun Sawai**, Tokyo (JP); **Jo Wada**, Tokyo (JP); **Takuji Nakamura**, Tokyo (JP); **Osamu Miki**, Tokyo (JP)
(73) Assignee: **Sony Corporation**, Tokyo (JP)
(**) Term: **14 Years**
(21) Appl. No.: **29/421,840**
(22) Filed: **Oct. 3, 2012**

D367,885 S 3/1996 Ikenaga
D392,951 S * 3/1998 Fujisawa D14/480
5,777,980 A * 7/1998 Adachi 369/275.4
5,892,752 A * 4/1999 Matsuura 369/275.4
5,986,838 A * 11/1999 Thomas, III 360/60
D420,347 S 2/2000 Ichikawa et al.
D420,653 S * 2/2000 Ikenaga D14/480
D422,997 S 4/2000 Isozaki et al.
D444,789 S 7/2001 Obata
D457,569 S * 5/2002 Pinchuk D21/324
D474,191 S * 5/2003 Nakayama D14/475
D474,777 S 5/2003 Niitsu
D475,059 S * 5/2003 Niitsu D14/478
D491,564 S * 6/2004 Chaney et al. D14/435
D560,666 S * 1/2008 Ulrich et al. D14/435
D585,899 S * 2/2009 Shek D14/435

* cited by examiner

(30) **Foreign Application Priority Data**
Apr. 11, 2012 (CN) 2012 3 0104305
Apr. 11, 2012 (JP) D2012-008512
Apr. 11, 2012 (JP) D2012-008513

Primary Examiner — Robert M Spear
Assistant Examiner — Kendra L Hamilton
(74) *Attorney, Agent, or Firm* — Michael Best and Friedrich LLP

(51) **LOC (10) Cl.** **14-99**
(52) **U.S. Cl.**
USPC **D14/478**
(58) **Field of Classification Search**
USPC D14/480, 478, 435, 479, 474;
369/77.11, 77.21, 277, 291.1, 273,
369/275.4; 360/99.08, 132, 133, 135,
360/99.04; 206/308.3, 307, 308.1; 720/726,
720/739, 740, 741, 742, 743, 744, 725,
720/738; D6/627, 407, 631; D21/324, 332
CPC G11B 23/0313; G11B 33/0438
See application file for complete search history.

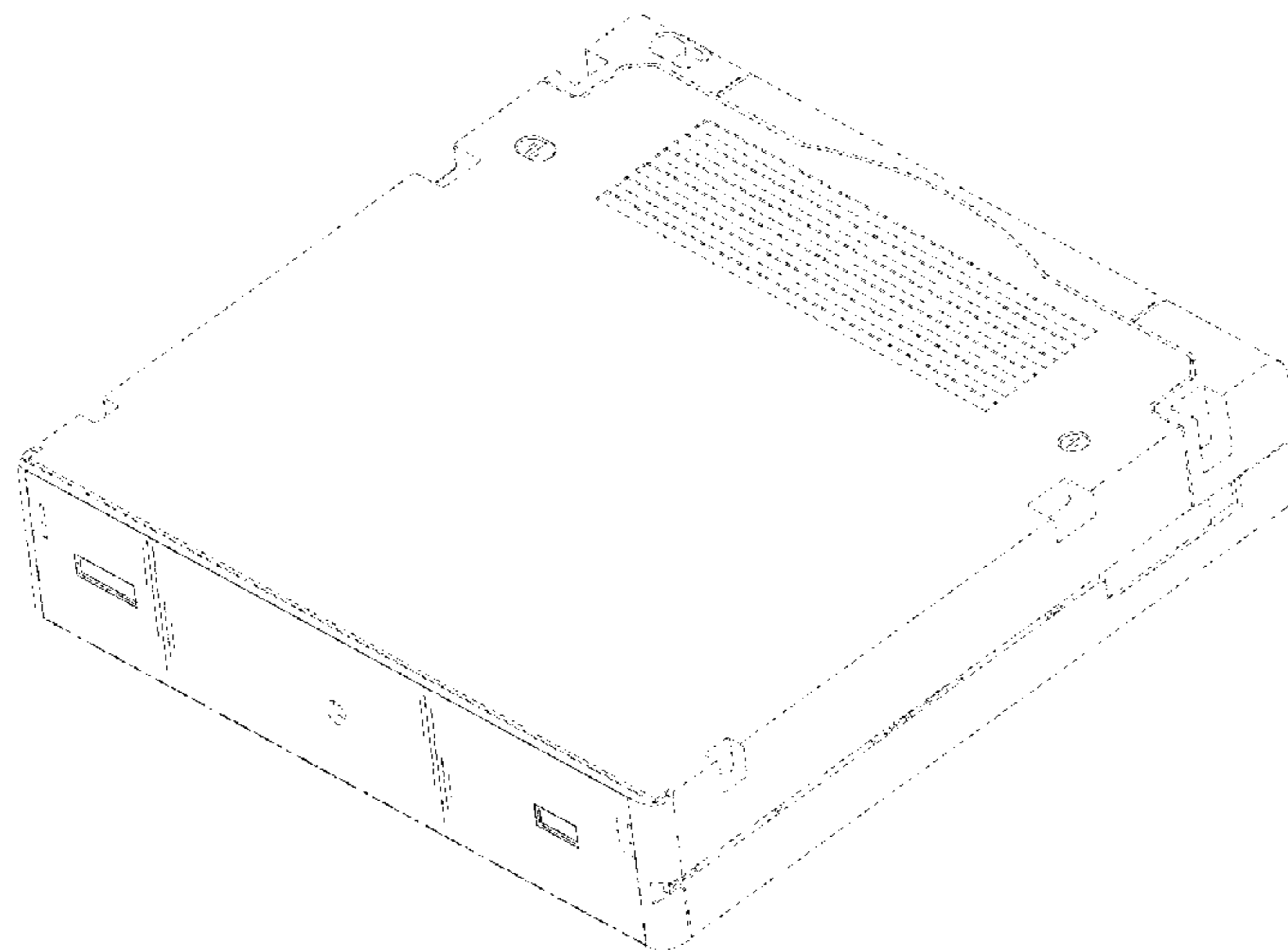
(57) **CLAIM**
The ornamental design for a disc cartridge, as shown and described.

DESCRIPTION

FIG. 1 is a rear, bottom left perspective view of a disc cartridge showing our new design;
FIG. 2 is a rear elevational view thereof;
FIG. 3 is a bottom plan view thereof;
FIG. 4 is a left side elevational view thereof; and,
FIG. 5 is a right side elevational view thereof.
In the drawings, the broken lines depict environmental subject matter only and form no part of the claimed design. Dot-dash broken lines define the boundaries of, but not included in, the claimed design.

(56) **References Cited**
U.S. PATENT DOCUMENTS
D274,522 S * 7/1984 Kneale D14/479
D346,596 S * 5/1994 Kajita et al. D14/480

1 Claim, 4 Drawing Sheets



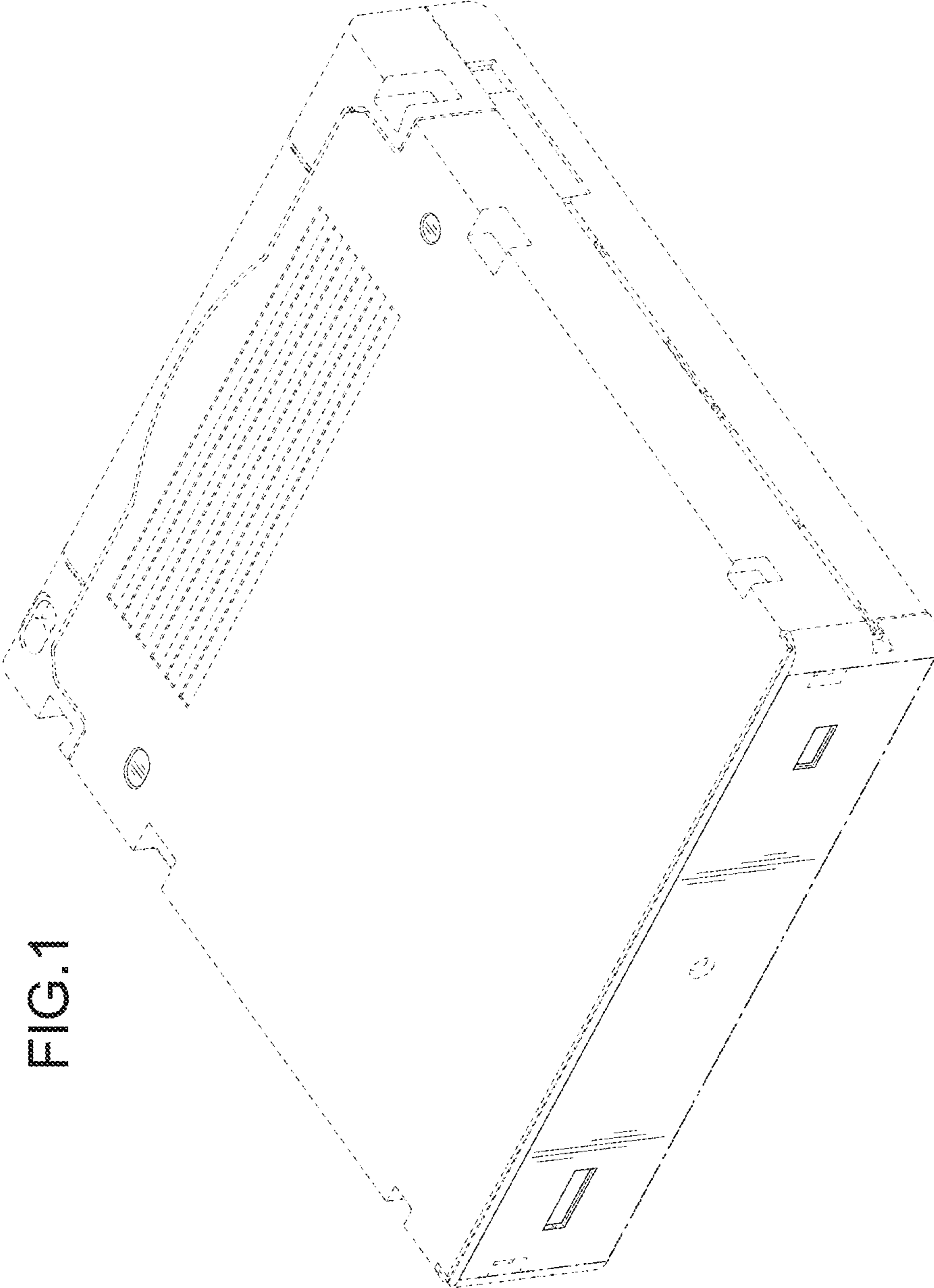


FIG.1

FIG.2

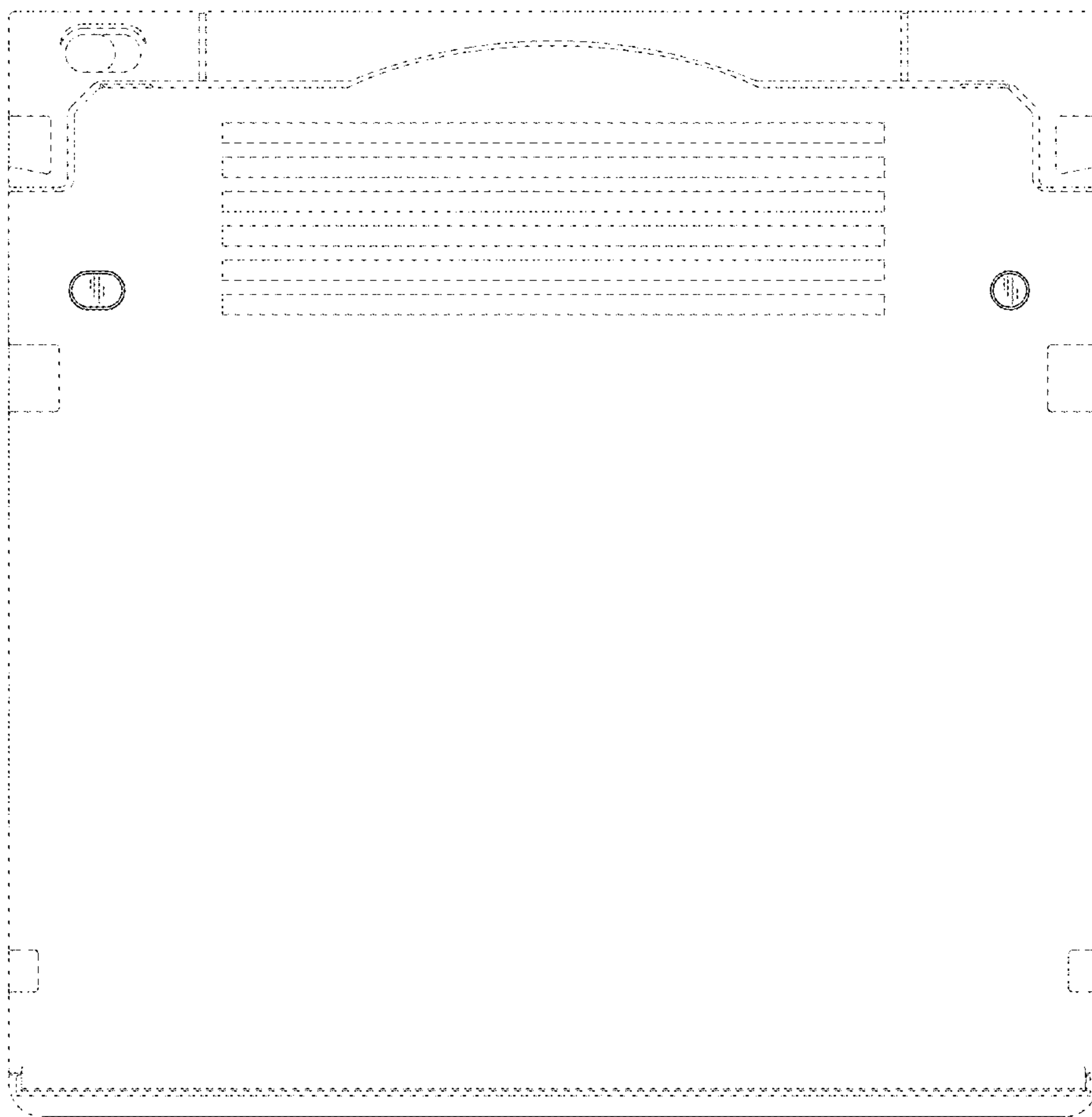


FIG.3

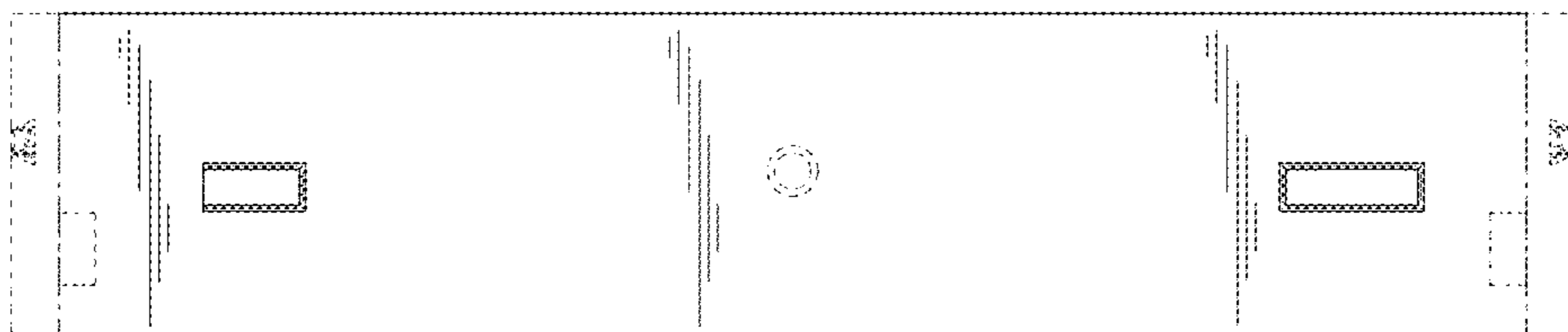


FIG.4

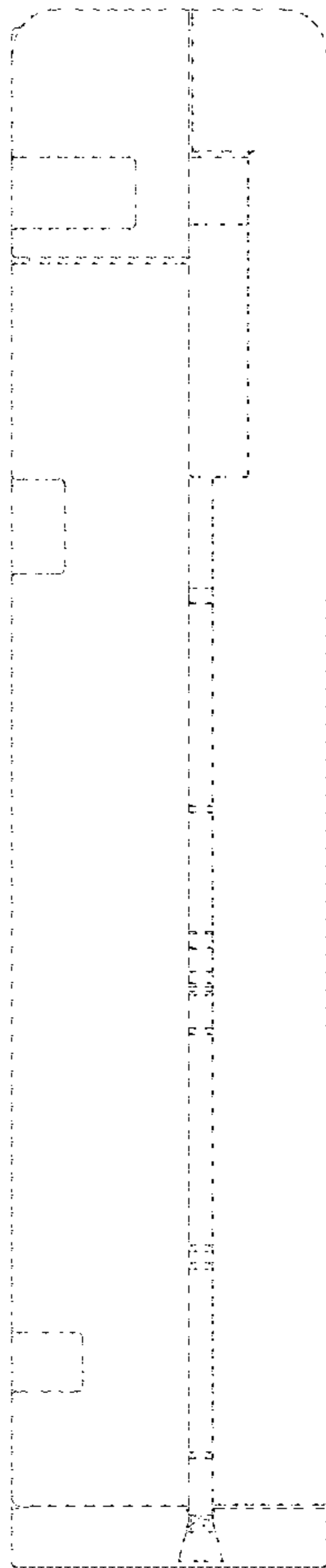


FIG.5

