



US00D766248S

(12) **United States Design Patent** (10) **Patent No.:** **US D766,248 S**
Holladay et al. (45) **Date of Patent:** **** Sep. 13, 2016**

- (54) **TABLET PROTECTIVE CASE**
- (71) Applicants: **J. Daniel Holladay**, Amherst, NY (US);
Tucker D. Holladay, Lowell, MA (US)
- (72) Inventors: **J. Daniel Holladay**, Amherst, NY (US);
Tucker D. Holladay, Lowell, MA (US)
- (**) Term: **15 Years**
- (21) Appl. No.: **29/535,147**
- (22) Filed: **Aug. 4, 2015**
- (51) **LOC (10) Cl.** **14-02**
- (52) **U.S. Cl.**
USPC **D14/440**
- (58) **Field of Classification Search**
USPC D14/250, 440, 447; 206/45.23, 320,
206/45.2; 361/679.55; 294/25; 224/218; 1/1
CPC . G06F 1/1628; G06F 1/1613; A47B 23/044;
H04B 1/3888
See application file for complete search history.

(56) **References Cited**

U.S. PATENT DOCUMENTS

D674,394 S *	1/2013	Kajimoto	D14/250
D674,798 S *	1/2013	Kim	D14/440
D675,210 S *	1/2013	Kim	D14/439
D676,448 S *	2/2013	Gorman	D14/440
D676,449 S *	2/2013	Probst	D14/440
D686,628 S *	7/2013	Hall	D14/440
D690,703 S *	10/2013	Welch	D14/440
D706,782 S *	6/2014	Dresser, III	D14/440
D708,621 S *	7/2014	Gifford	D14/447
D720,353 S *	12/2014	Nakamura	D14/432
D721,079 S *	1/2015	Fujioka	D14/440
D731,493 S *	6/2015	Mills	D14/440
D731,495 S *	6/2015	Hassett	D14/440
D736,777 S *	8/2015	Rayner	D14/440
D743,402 S *	11/2015	Ehara	D14/432

D753,124 S *	4/2016	Corcoran	D14/440
2007/0109730 A1 *	5/2007	Shigyo	H05K 5/0052 361/600
2012/0074271 A1 *	3/2012	Goetz	F16M 13/00 248/121

* cited by examiner

Primary Examiner — Cynthia Underwood

Assistant Examiner — Lilyana Bekic

(74) *Attorney, Agent, or Firm* — Vincent G. LoTempio;
Kloss, Stenger & LoTempio; David T. Stephenson

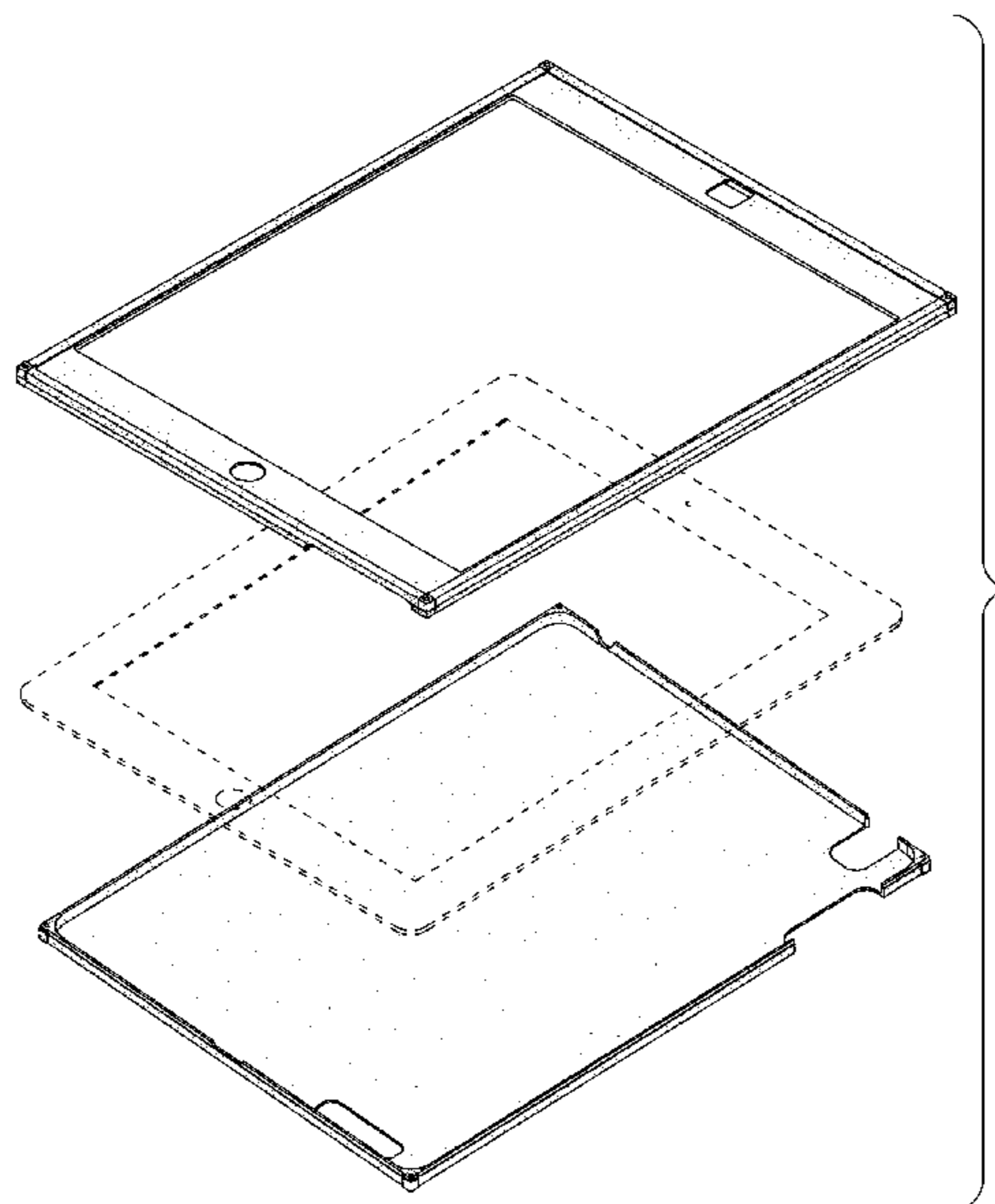
(57) **CLAIM**

The ornamental design for a tablet protective case, as shown and described.

DESCRIPTION

FIG. 1 is a front perspective view of the front plate of the tablet protective case showing my new design;
 FIG. 2 is a front view thereof;
 FIG. 3 is rear view thereof;
 FIG. 4 is a left side view thereof;
 FIG. 5 is a right side view thereof;
 FIG. 6 is a left side perspective view thereof;
 FIG. 7 is a right side perspective view thereof;
 FIG. 8 is a front perspective view of the back plate of the tablet protective case showing my new design;
 FIG. 9 is a front view thereof;
 FIG. 10 is a rear view thereof;
 FIG. 11 is a left side view thereof;
 FIG. 12 is a right side view thereof;
 FIG. 13 is a left side elevational view thereof;
 FIG. 14 is a right side elevational view thereof; and,
 FIG. 15 is an exploded environmental view showing the back plate separated from the face plate of the tablet protective case. The tablet shown in broken lines depicts environmental subject matter only and forms no part of the claimed design.

1 Claim, 11 Drawing Sheets



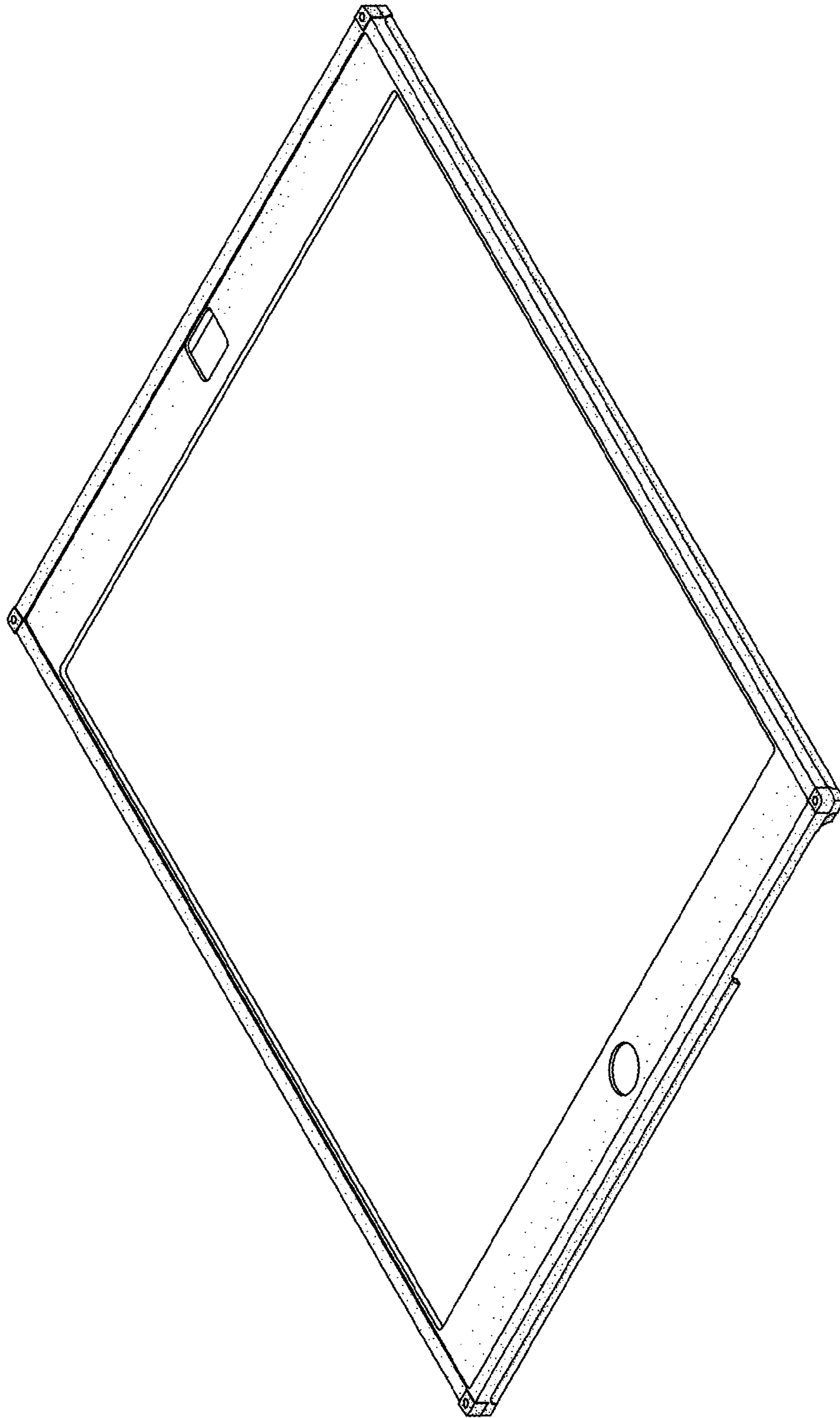


FIG. 1



FIG. 2

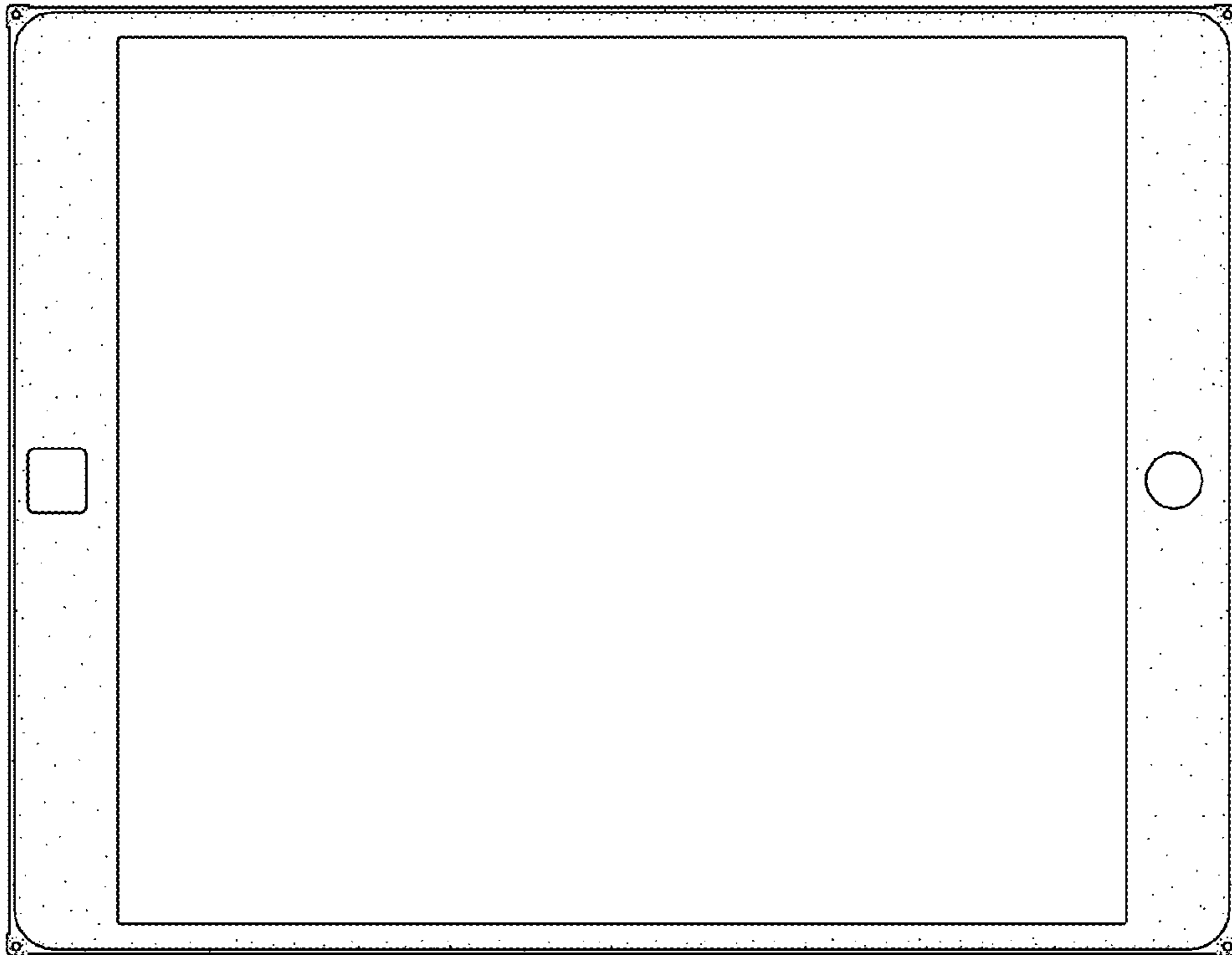


FIG. 3



FIG. 4

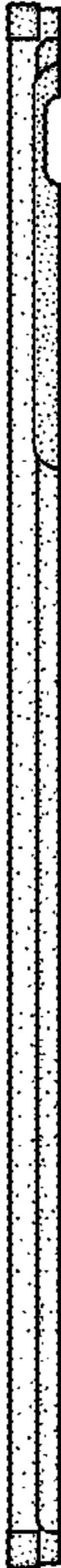


FIG. 5

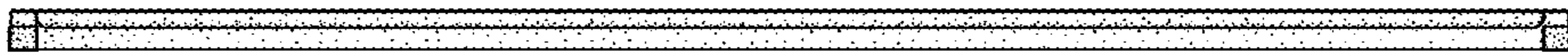


FIG. 7

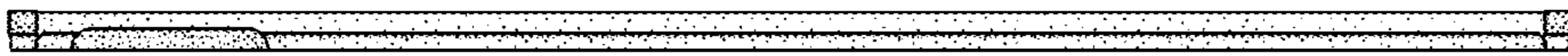


FIG. 6

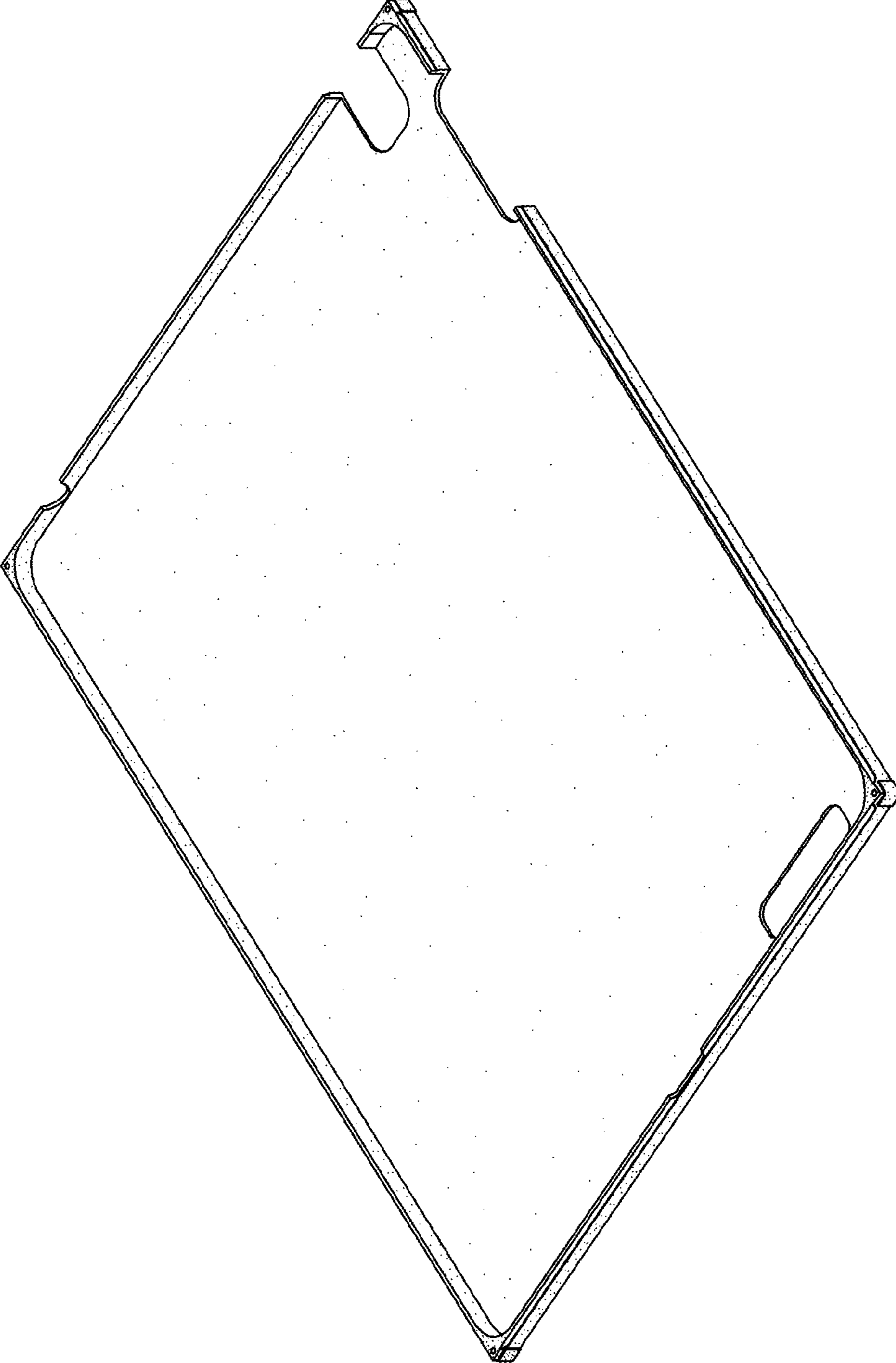


FIG. 8

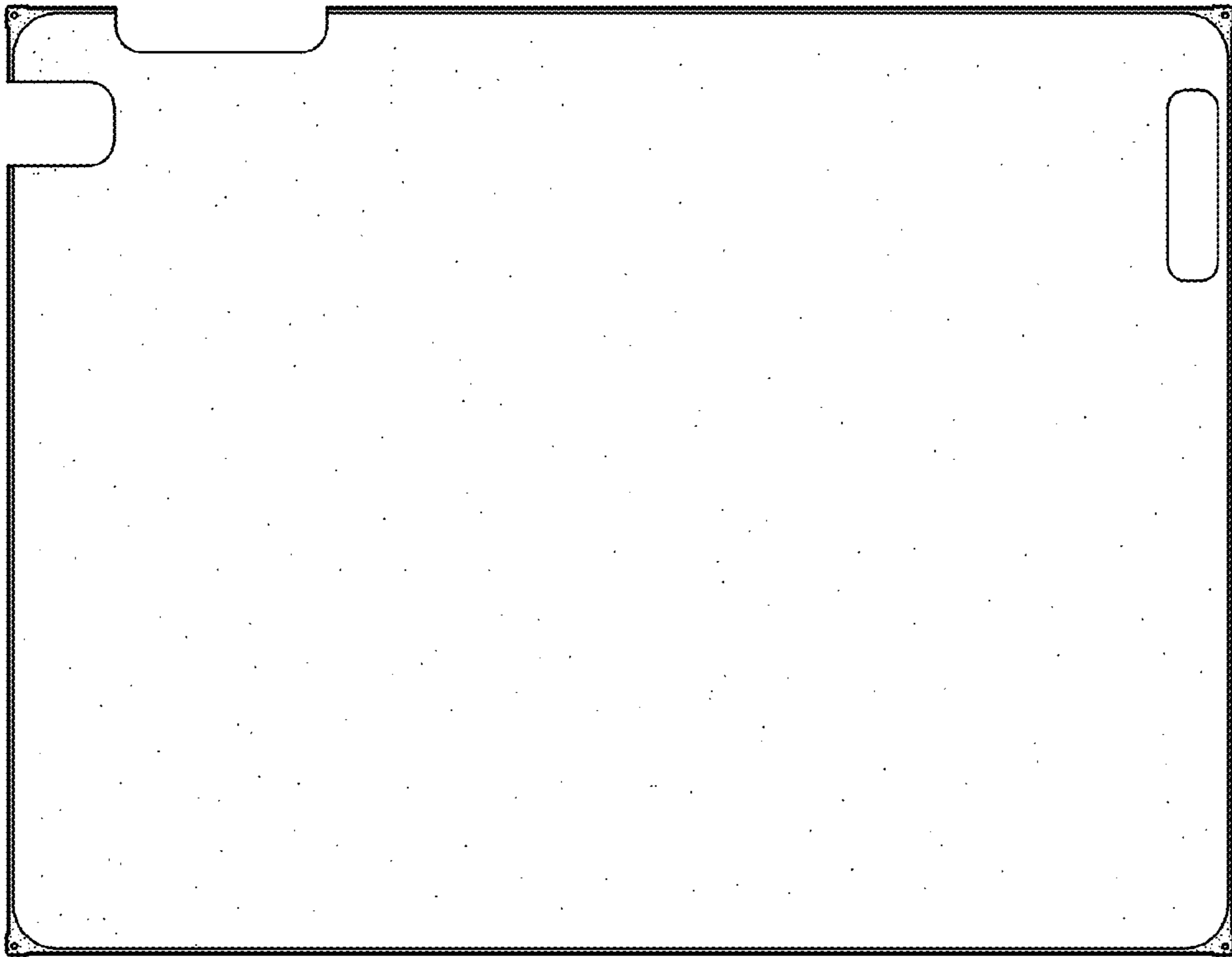


FIG. 9

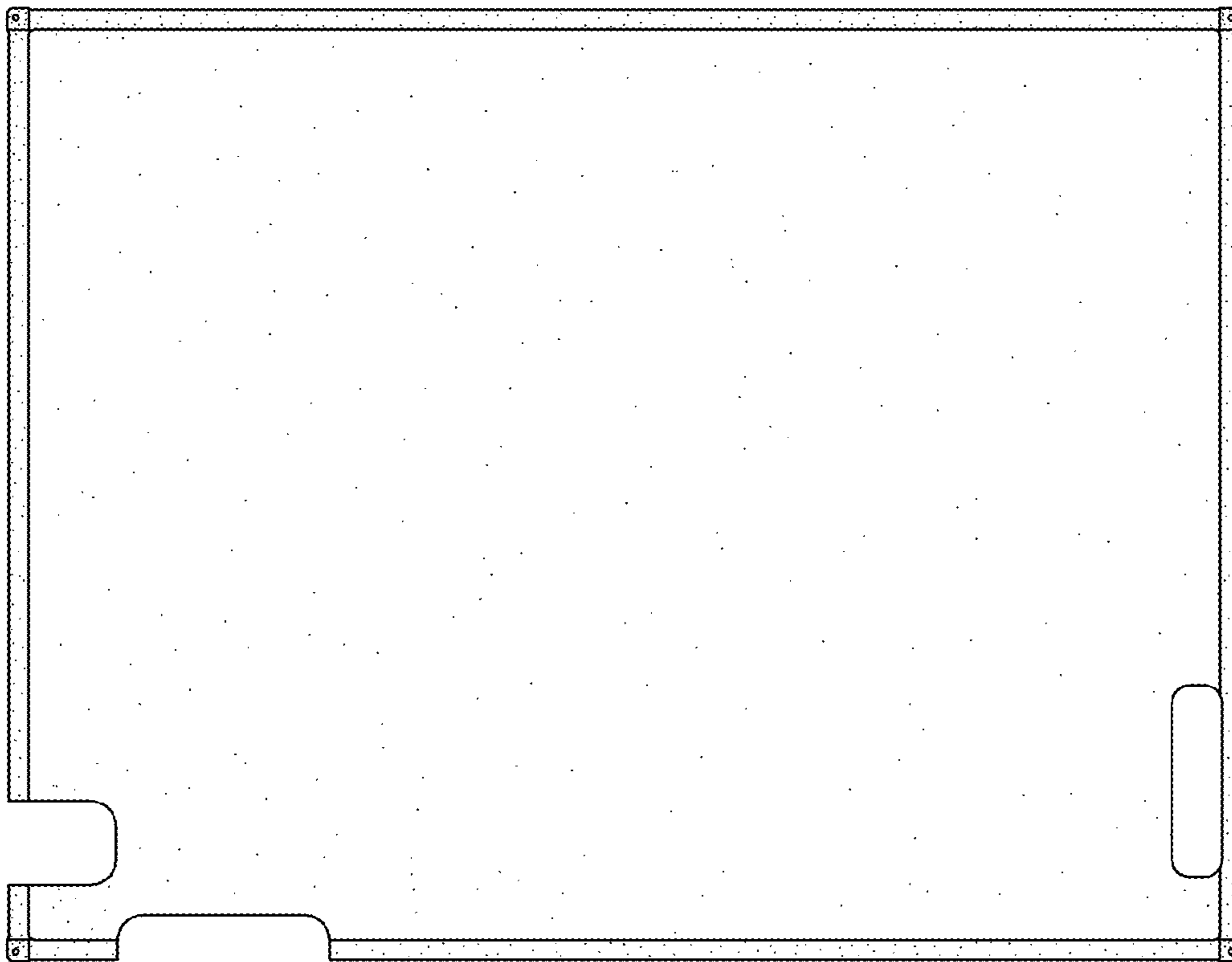


FIG. 10



FIG. 11



FIG. 12

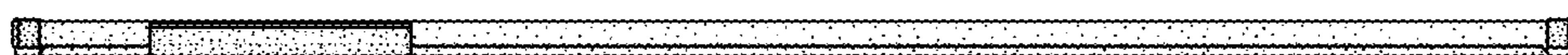


FIG. 14

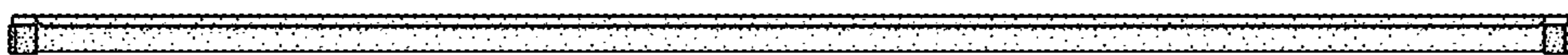


FIG. 13

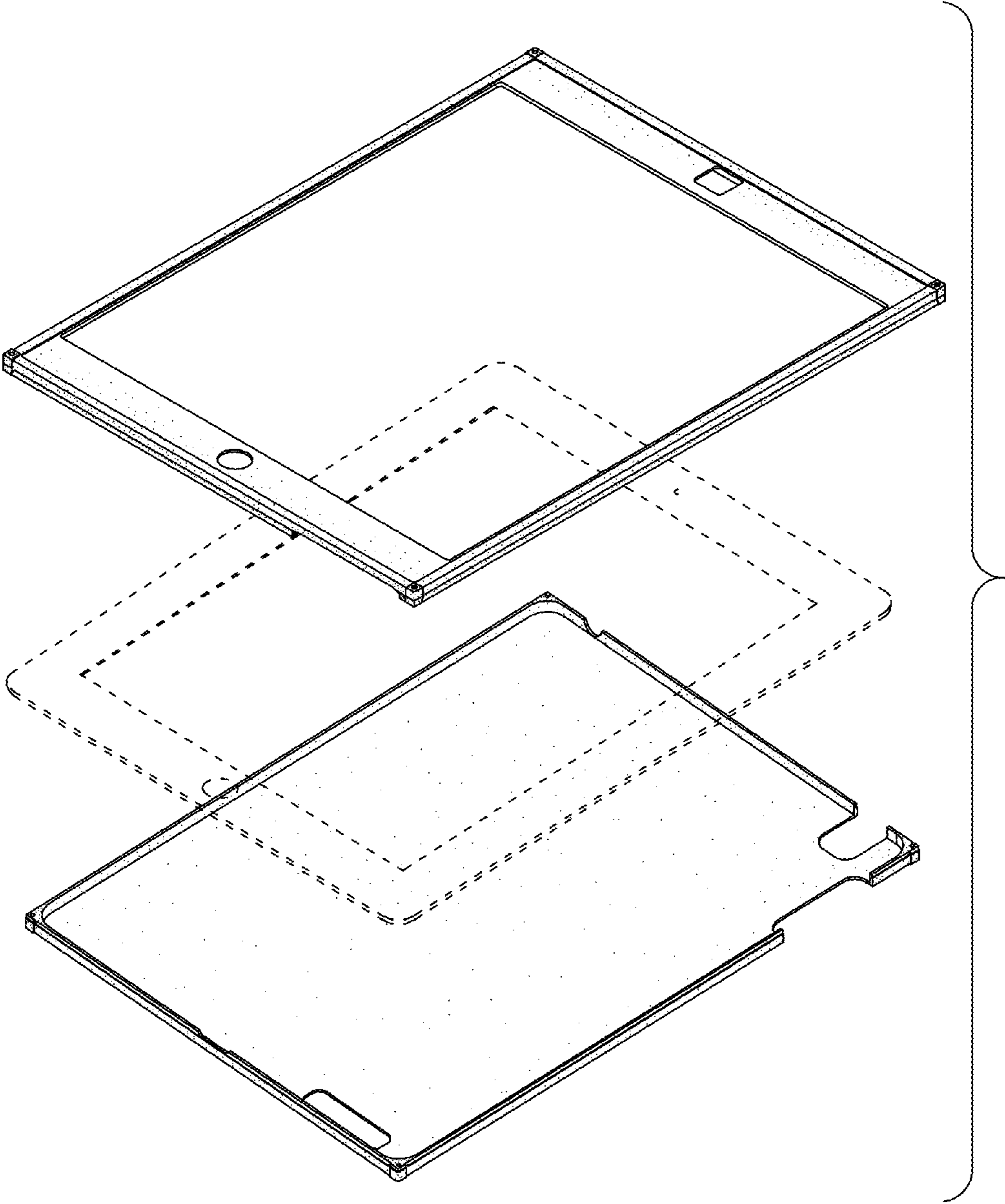


FIG. 15