

US00D766246S

(12) **United States Design Patent** (10) **Patent No.:** **US D766,246 S**
Inada et al. (45) **Date of Patent:** **** Sep. 13, 2016**

(54) **SCANNER**

(71) Applicant: **BROTHER INDUSTRIES, LTD.**,
Nagoya-shi, Aichi-ken (JP)

(72) Inventors: **Toshiya Inada**, Nagoya (JP);
Masayoshi Mita, Nagoya (JP);
Yasutake Yamaguchi, Nagoya (JP)

(73) Assignee: **BROTHER INDUSTRIES, LTD.**,
Nagoya (JP)

(**) Term: **15 Years**

(21) Appl. No.: **29/533,728**

(22) Filed: **Jul. 21, 2015**

(30) **Foreign Application Priority Data**

Jan. 27, 2015 (JP) 2015-1358

(51) **LOC (10) Cl.** **14-02**

(52) **U.S. Cl.**
USPC **D14/422**

(58) **Field of Classification Search**

USPC D14/421-425; D18/55, 49, 46, 40,
D18/36-39, 41, 44, 45, 47, 48, 50-54, 56;
235/462, 455, 470, 462.43, 482, 483;
358/474, 486, 488, 496, 497, 498, 452,
358/449, 451, 453, 1.13; 318/685, 696;
355/81, 75; 399/405, 367, 379, 380;
382/217; 715/209, 222, 226, 274;
400/613, 613.1-613.4, 690.1-690.4,
400/691-694

CPC H04N 1/00; H04N 1/12; H04N 1/00013;
H04N 1/00015; H04N 1/00018; H04N
1/00026; H04N 1/00557; H04N 1/00564;
H04N 1/00567; H04N 1/0057; H04N
1/00572; H04N 1/00586; H04N 1/00588;
H04N 1/00591; H04N 1/00594; H04N
1/00596; H04N 1/00604; H04N 1/00519;
H04N 1/00559; H04N 1/1013; H04N 1/10;
H04N 1/00551; H04N 1/00278; H04N
2201/0456; H04N 2201/0446; H04N

2201/00; H04N 2201/0094; G03G 15/0142;
G03G 15/605; G03G 15/602; B65H 5/26;
B65H 5/30; B65H 5/36; B65H 7/00; B65H
2402/515; B65H 2402/31; B65H 2511/20;
B65H 2511/414; B65H 2513/42; B65H
2801/39; B65H 2801/31; B65H 2215/00189;
B65H 2215/00194; B65H 2215/00198;
B65H 2215/00202; B65H 2215/00206;
B65H 2215/20; B65H 2301/00; B65H
2220/04; B65H 3/5261

See application file for complete search history.

(56) **References Cited**

U.S. PATENT DOCUMENTS

D258,959 S * 4/1981 Clayton D18/54
D292,976 S * 12/1987 Kando D14/150
D318,066 S * 7/1991 Moro D18/54

(Continued)

Primary Examiner — Susan Moon Lee

(74) *Attorney, Agent, or Firm* — Oliff PLC

(57) **CLAIM**

The ornamental design for a scanner, as shown and described.

DESCRIPTION

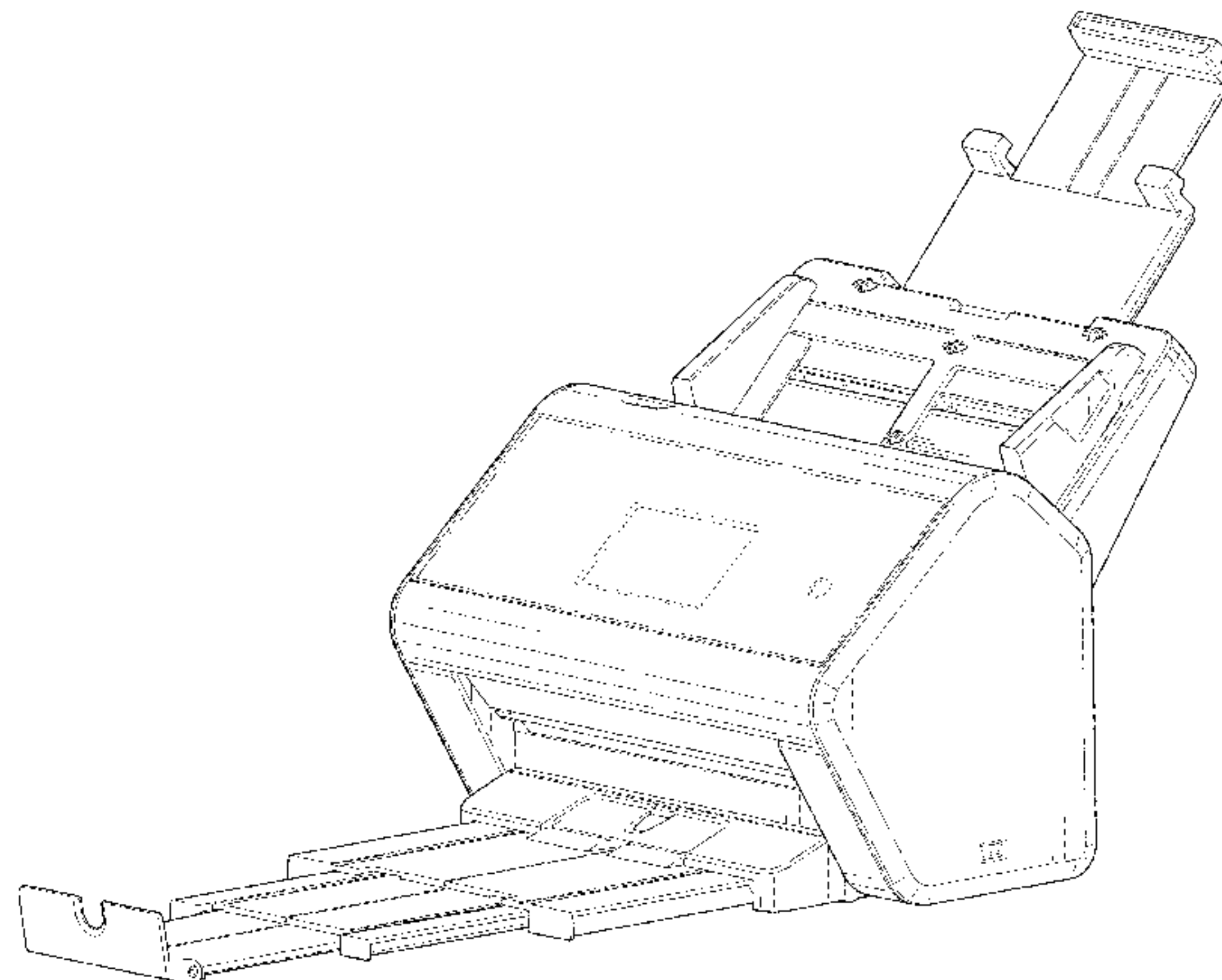
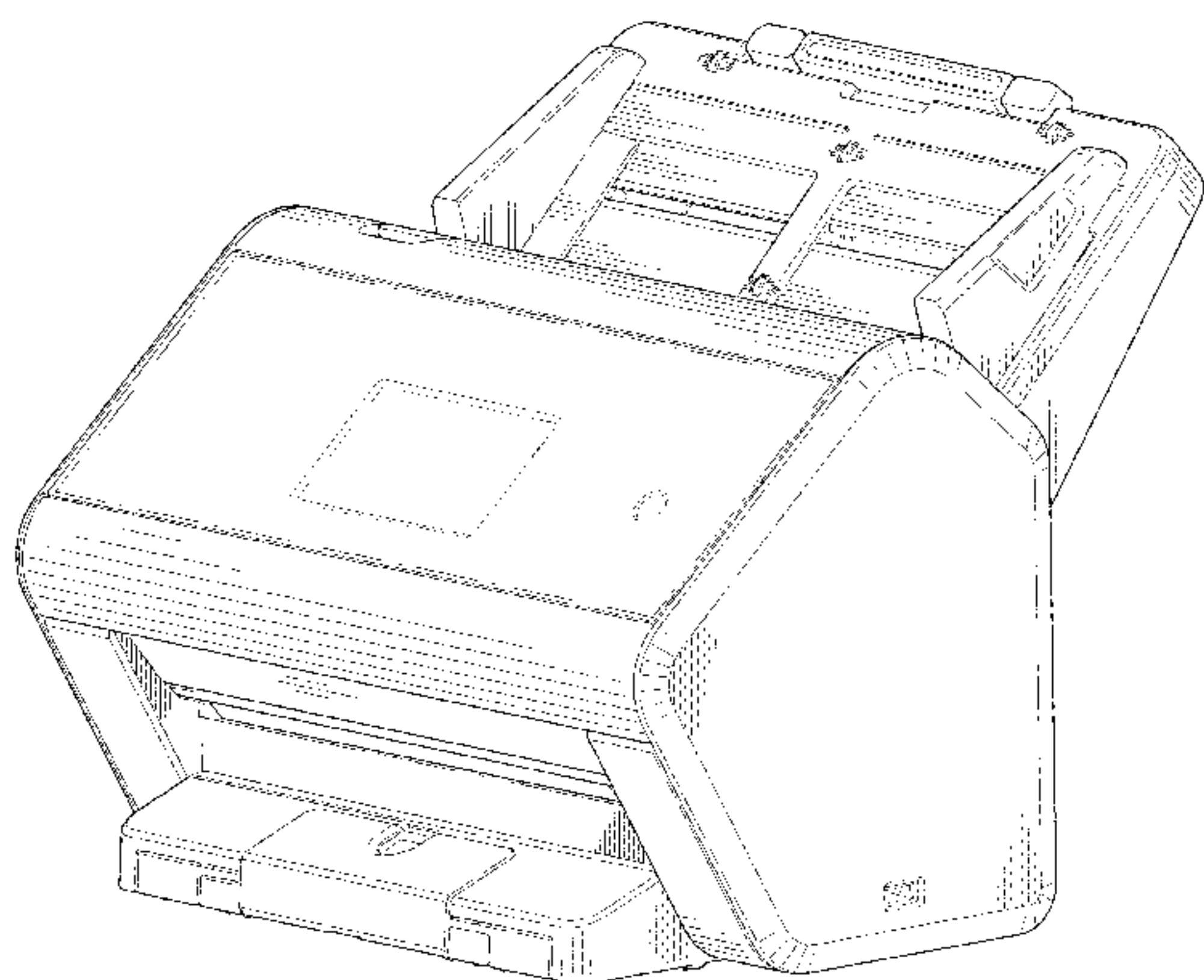
FIG. 1 is a perspective view of a scanner;
FIG. 2 is a front view thereof;
FIG. 3 is a top view thereof;
FIG. 4 is a right-side view thereof;
FIG. 5 is a left-side view thereof;
FIG. 6 is a rear view thereof;
FIG. 7 is a bottom view thereof; and,
FIG. 8 is another perspective view of the scanner showing
trays in an opened configuration.

Broken lines and unshaded portions contained within broken lines depict portions of the scanner that form no part of the claimed design.

The dot-dash lines depict a boundary between claimed and unclaimed subject matter, and form no part of the claimed design.

The unshaded surface area contained within the dot-dash boundary lines of the front-top panel forms no part of the claimed design.

1 Claim, 8 Drawing Sheets



(56)

References Cited

U.S. PATENT DOCUMENTS

D350,364 S * 9/1994 Kawashima D18/50
 D401,271 S * 11/1998 Nakajima D18/55
 D413,142 S * 8/1999 Pangburn D18/55
 D414,508 S * 9/1999 Pangburn D18/55
 D419,591 S * 1/2000 Pangburn D18/55
 D422,570 S * 4/2000 Kobayashi D14/509
 D432,565 S * 10/2000 Gassett D18/55
 D433,442 S * 11/2000 Clark, III 14/2
 6,205,302 B1 * 3/2001 Yokota G03G 15/2025
 347/152
 D444,813 S * 7/2001 Quijano D18/55
 D474,501 S * 5/2003 Hayashi D18/55
 D478,618 S * 8/2003 Obara D18/54
 D479,264 S * 9/2003 Suzuki D18/55
 D498,786 S * 11/2004 Suzuki D18/55
 D515,623 S * 2/2006 Hattori D18/36
 D516,621 S * 3/2006 Kobayashi D18/55
 D516,622 S * 3/2006 Suzuki D18/55
 D523,074 S * 6/2006 Mitani D18/54
 D549,705 S * 8/2007 Sugitani D14/422
 D571,370 S * 6/2008 Sugitani D14/422
 D598,951 S * 8/2009 Kato D18/55
 D608,821 S * 1/2010 Tomono D18/50
 D609,711 S * 2/2010 Kuroda D14/422
 D610,146 S * 2/2010 Kuroda D14/422
 D610,147 S * 2/2010 Kuroda D14/422
 D610,148 S * 2/2010 Kuroda D14/422
 D610,149 S * 2/2010 Kuroda D14/422
 D610,152 S * 2/2010 Kuroda D14/422
 D610,154 S * 2/2010 Kuroda D14/422
 D616,889 S * 6/2010 Kuroda D14/422
 7,731,350 B2 * 6/2010 Yamamoto B41J 13/103
 271/171

D632,295 S * 2/2011 Kuroda D14/422
 D643,874 S * 8/2011 Kim D18/55
 D669,080 S * 10/2012 Iwai D14/422
 D669,081 S * 10/2012 Iwai D14/422
 D672,388 S * 12/2012 Kim D18/50
 D677,328 S * 3/2013 Kim D18/50
 D680,157 S * 4/2013 Umezawa D18/34.3
 D682,328 S * 5/2013 Day D15/146
 D682,329 S * 5/2013 Day D15/146
 D687,436 S * 8/2013 Penke D14/422
 D689,866 S * 9/2013 Anzai D14/422
 D692,891 S * 11/2013 Kuroda D14/422
 D699,724 S * 2/2014 Isozaki D14/421
 D699,726 S * 2/2014 Seki D14/422
 D700,908 S * 3/2014 Taniho D14/422
 8,699,101 B2 * 4/2014 Mukai H04N 1/00533
 271/118
 8,746,681 B2 * 6/2014 Mizuno B65H 9/06
 271/145
 D708,185 S * 7/2014 Romanoff D14/422
 D713,845 S * 9/2014 Taniho D14/422
 D719,168 S * 12/2014 Tani D14/422
 D721,372 S * 1/2015 Kuroda D14/422
 D723,562 S * 3/2015 Inada D14/422
 D739,365 S * 9/2015 Garcia D14/126
 9,124,745 B2 * 9/2015 Mukai H04N 1/00615
 2007/0188818 A1 * 8/2007 Westcott H04N 1/00525
 358/296
 2010/0053701 A1 * 3/2010 Yoshida H04N 1/00525
 358/474
 2010/0060948 A1 * 3/2010 Yoshida H04N 1/00519
 358/474
 2011/0261423 A1 * 10/2011 Hatzav H04N 1/00997
 358/498
 2013/0222867 A1 * 8/2013 Tomita H04N 1/00013
 358/498

* cited by examiner

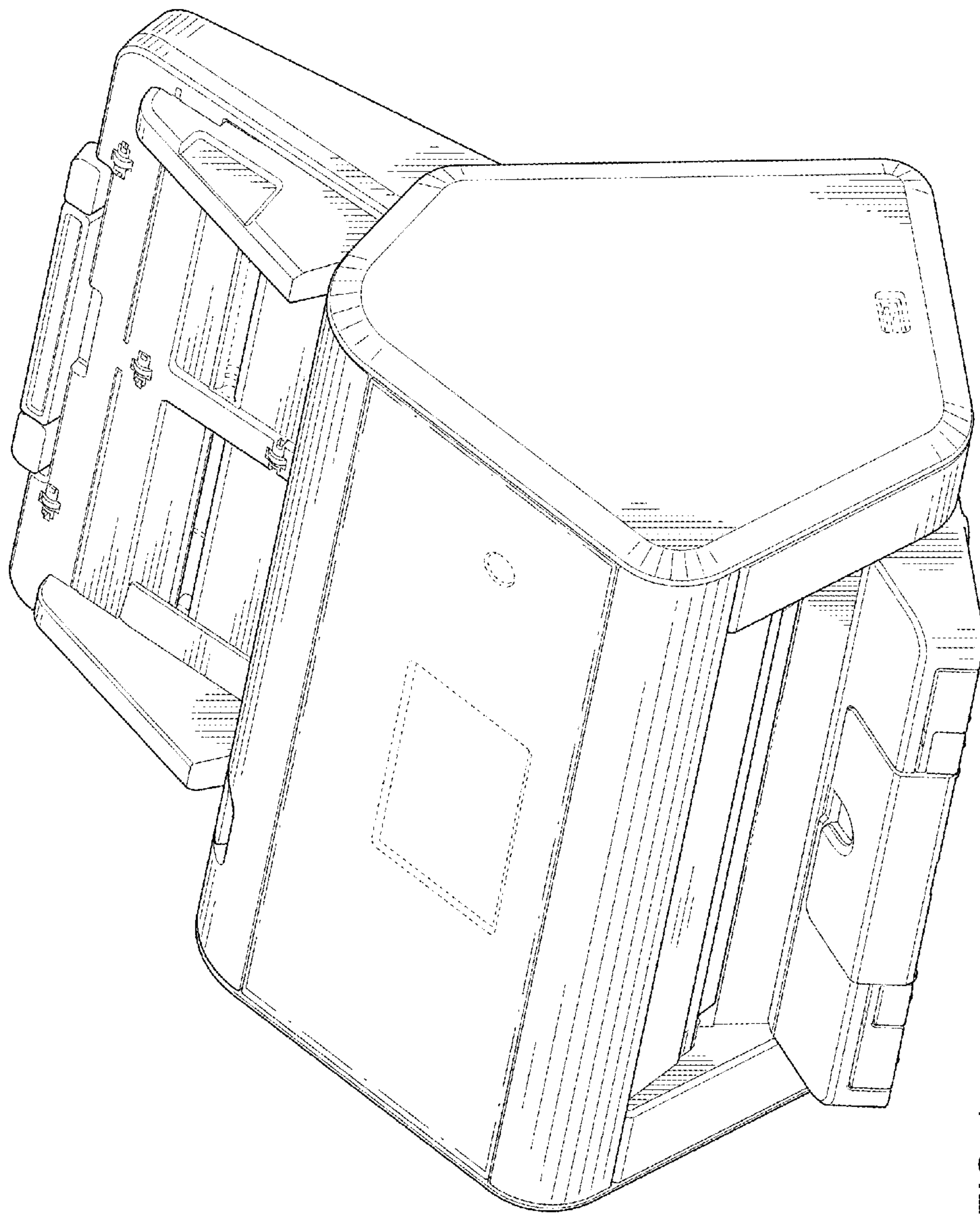


FIG. 1

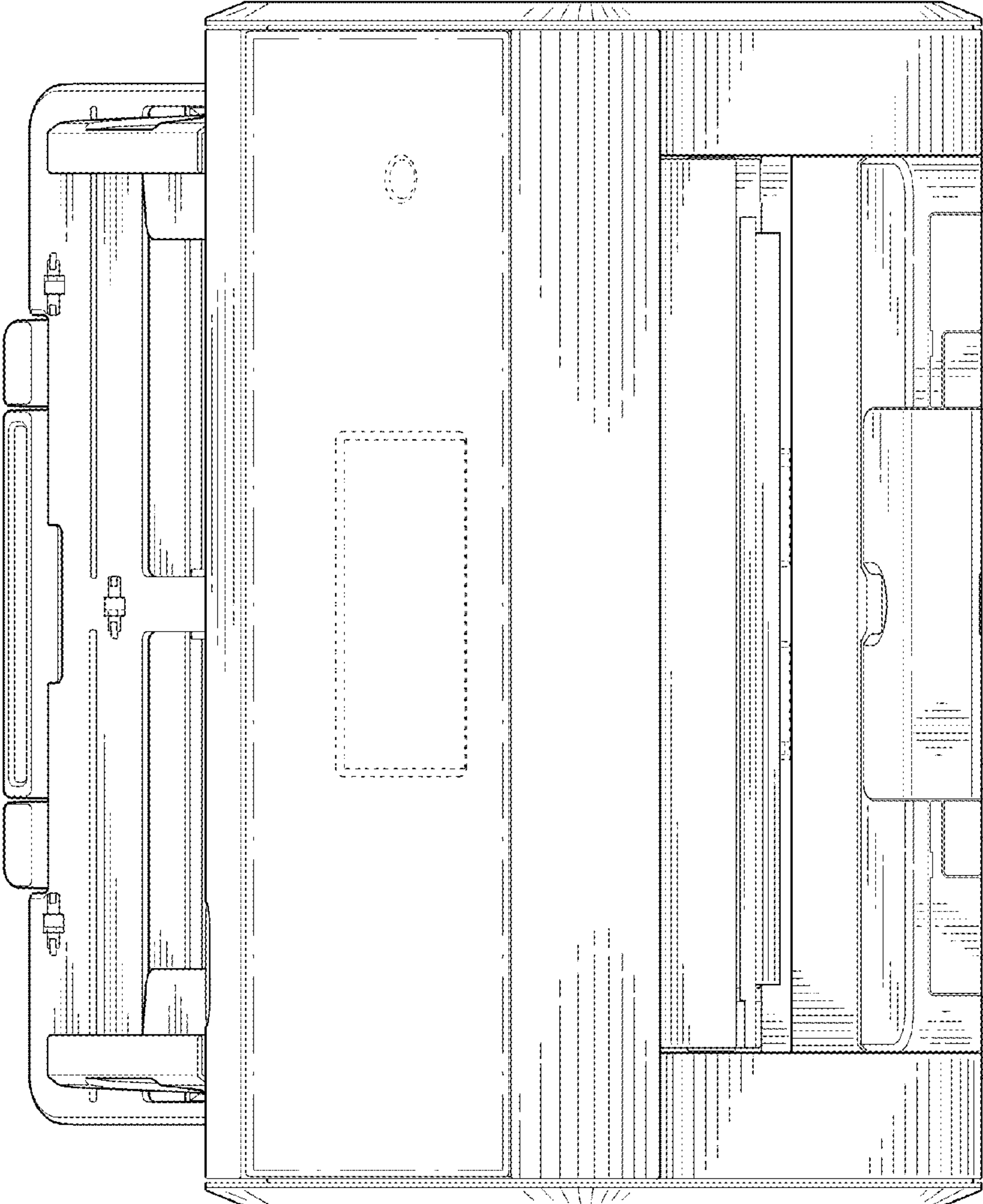


FIG. 2

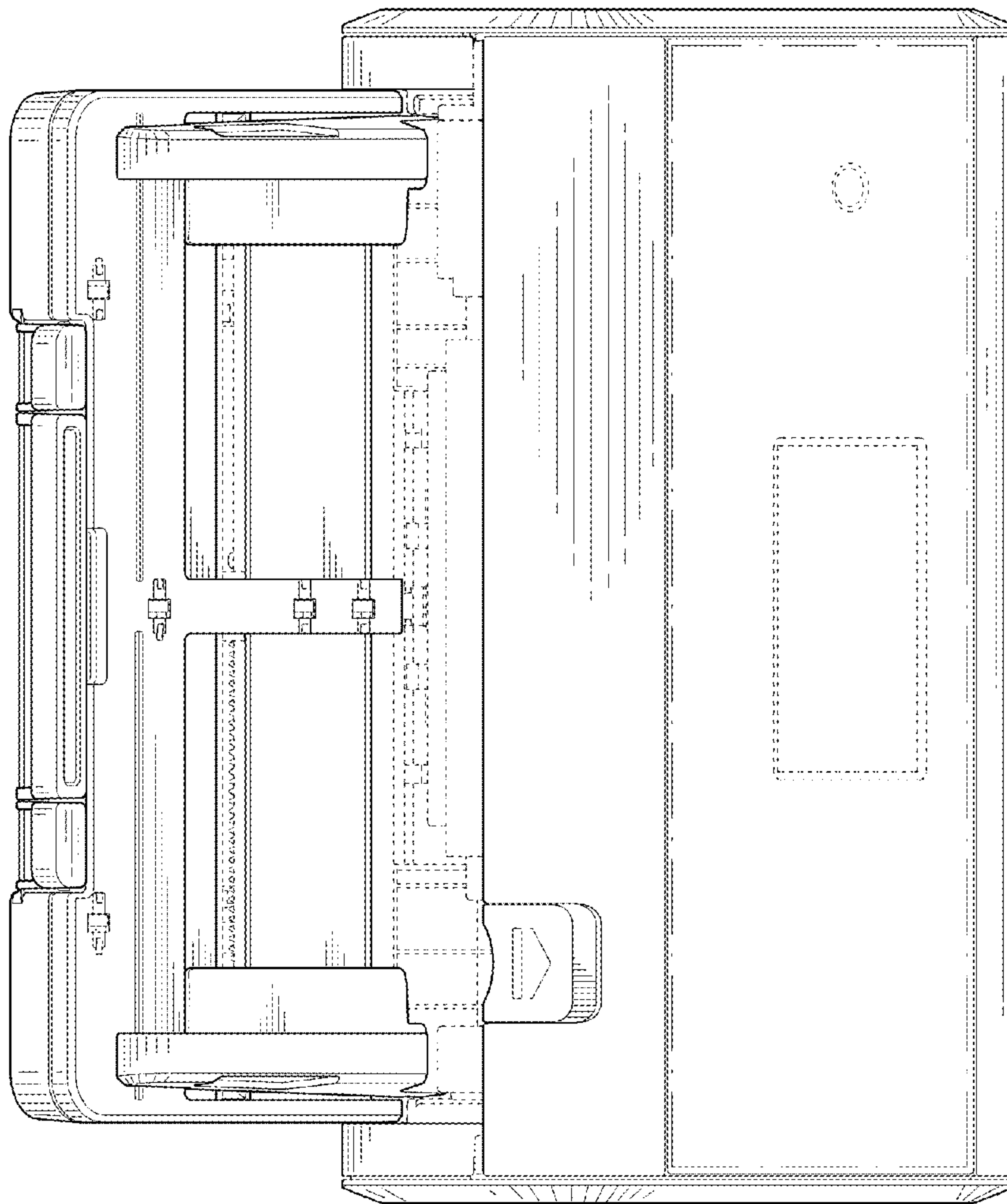


FIG. 3

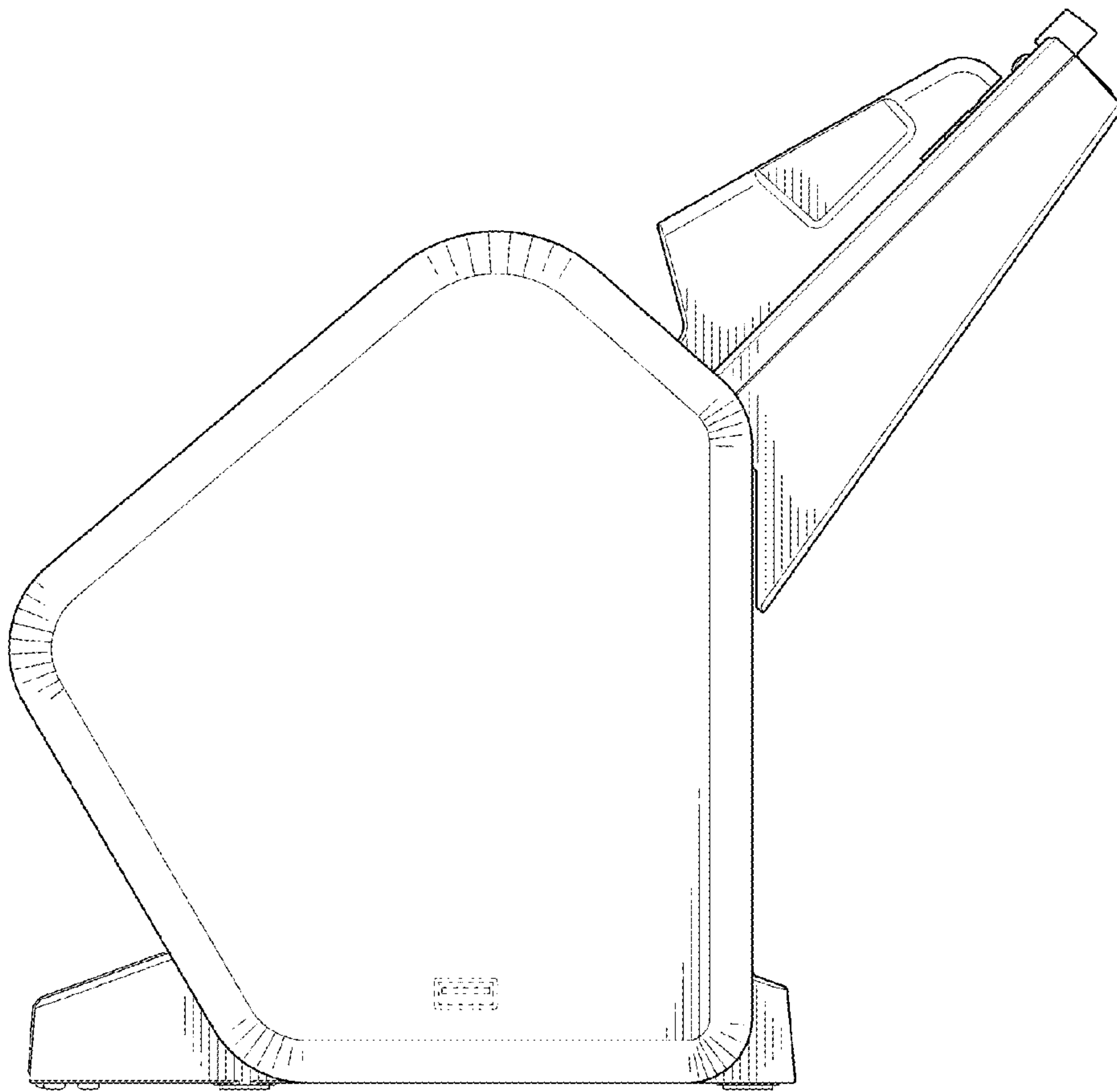


FIG. 4

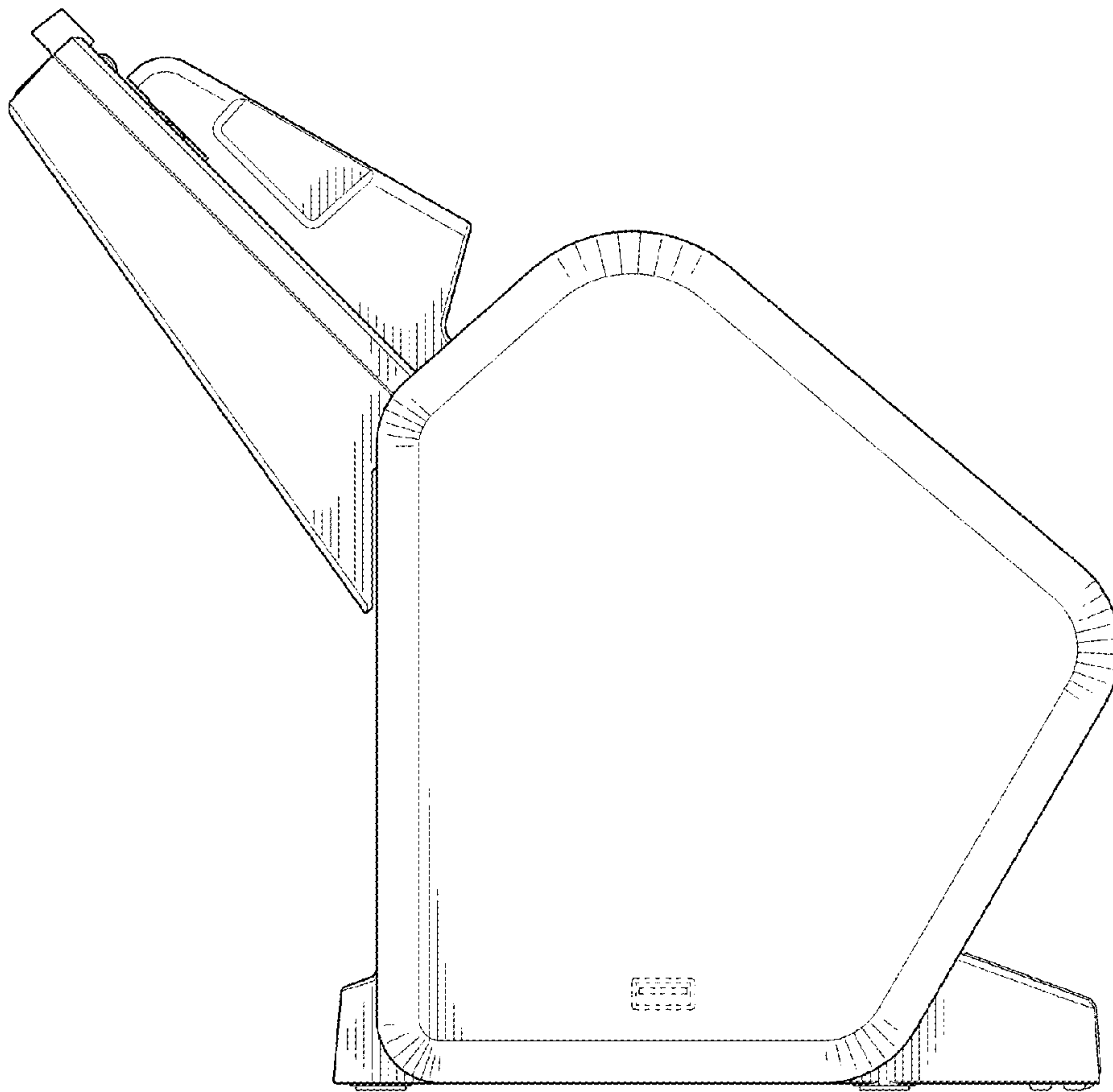


FIG. 5

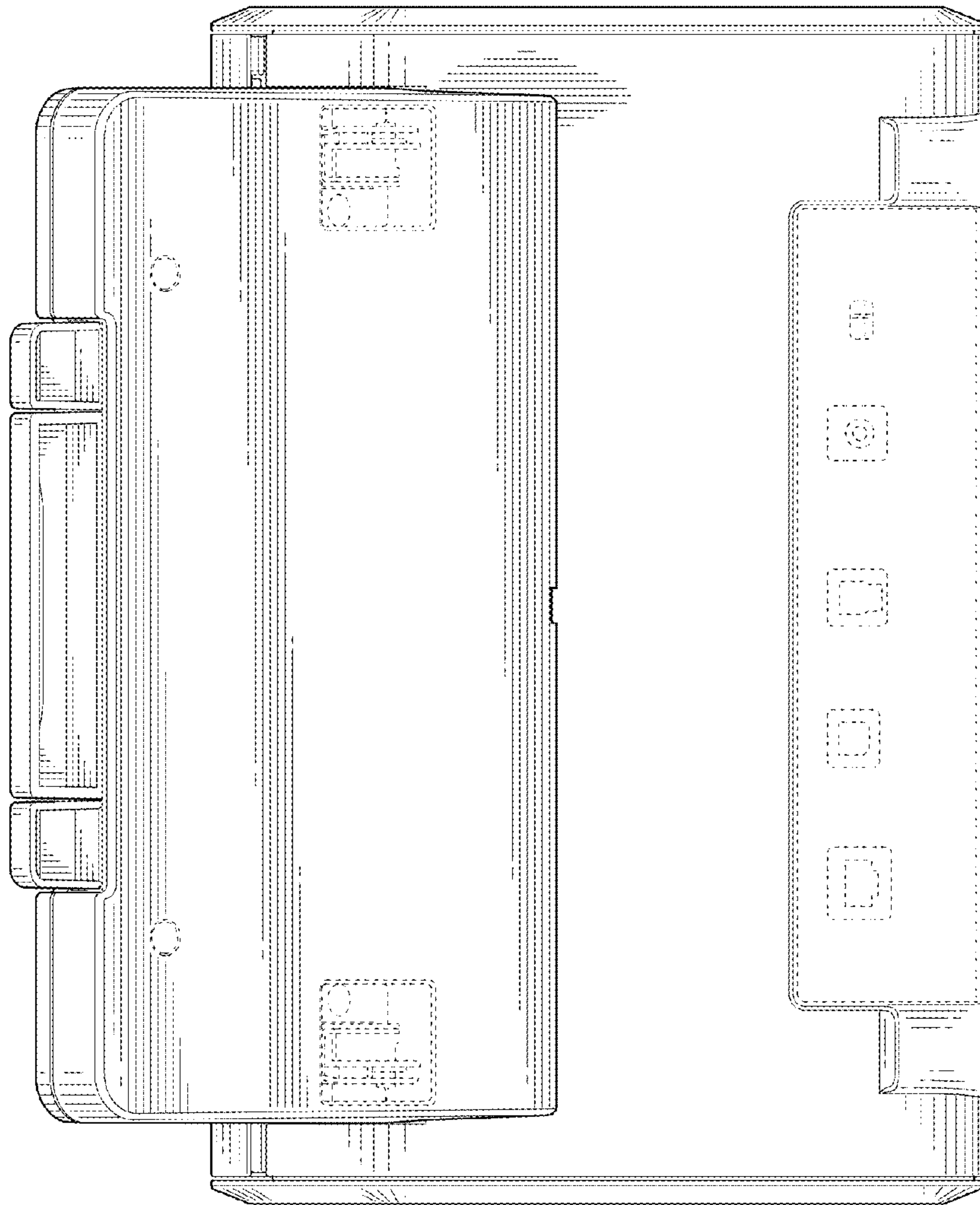


FIG. 6

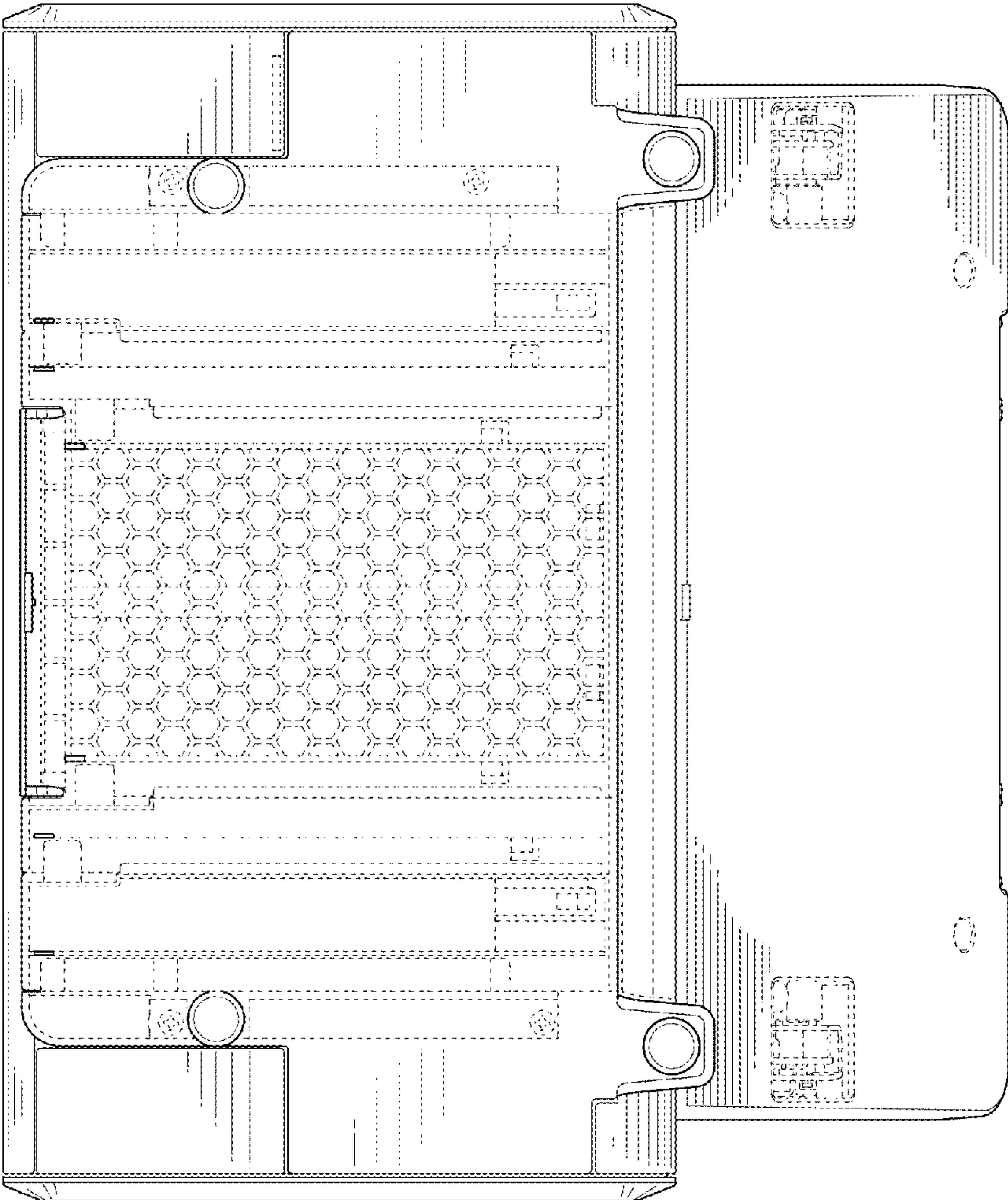


FIG. 7

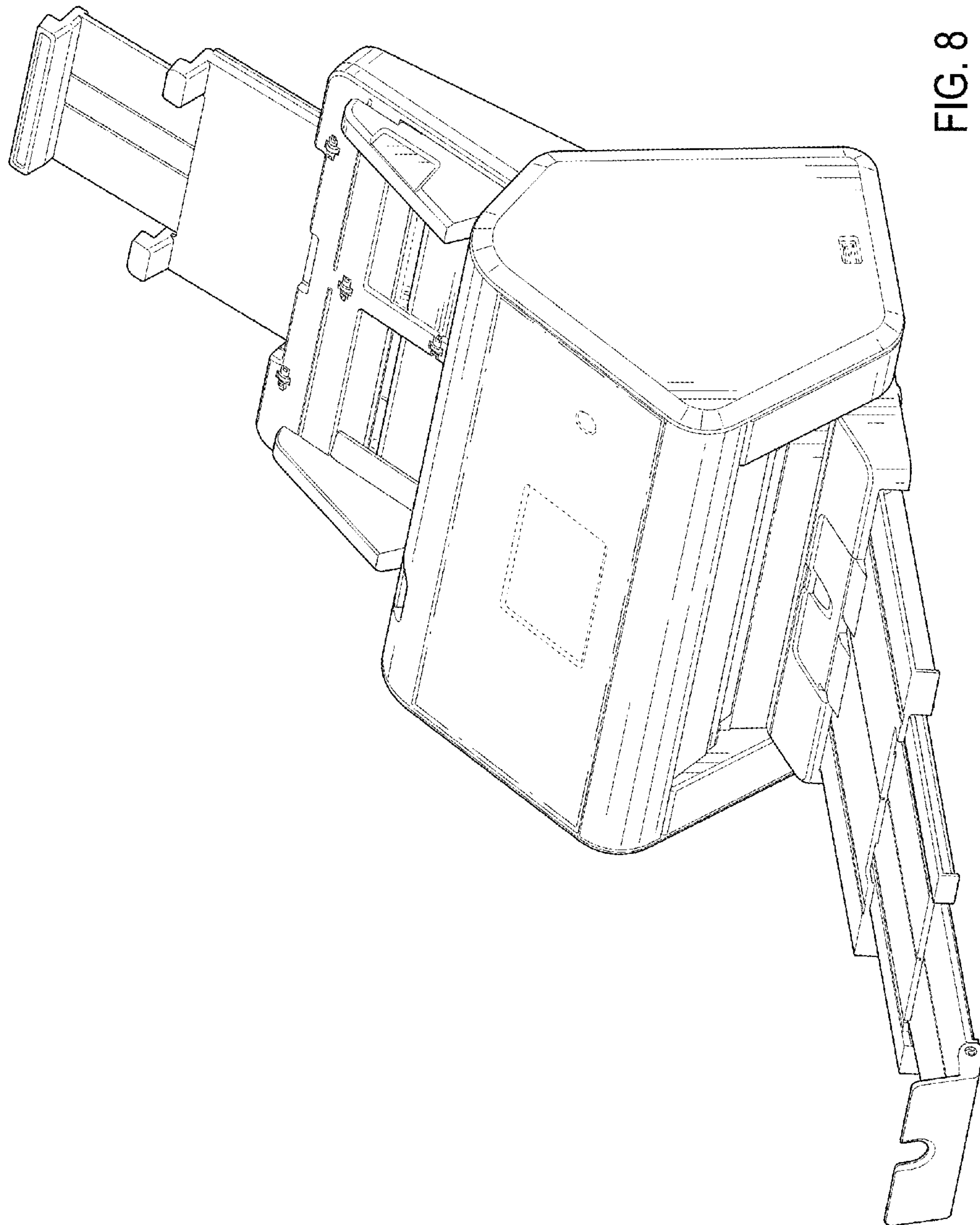


FIG. 8