

US00D766240S

(12) **United States Design Patent** (10) **Patent No.:** **US D766,240 S**  
**Le Rouzo** (45) **Date of Patent:** **\*\* Sep. 13, 2016**

(54) **TOUCH PAD FOR VISUALLY IMPAIRED OR BLIND PEOPLE**

(71) Applicant: **INSIDE VISION (société par actions simplifiée)**, St. Maur des Fosses (FR)

(72) Inventor: **Denis Le Rouzo**, Paris (FR)

(73) Assignee: **INSIDE VISION (société par actions simplifiée)**, St. Maur des Fosses (FR)

(\*\*) Term: **14 Years**

(21) Appl. No.: **29/510,298**

(22) Filed: **Nov. 26, 2014**

(30) **Foreign Application Priority Data**

May 28, 2014 (EM) ..... 002472506

(51) **LOC (10) Cl.** ..... **14-02**

(52) **U.S. Cl.**  
USPC ..... **D14/389**

(58) **Field of Classification Search**  
USPC ..... D14/388, 389, 390, 391, 320, 331, 333, D14/334, 338, 339, 341, 346, 356, 347, 379, D14/380, 384; D13/162, 164, 168, 184, D13/123; D18/12; 235/145 R; 400/438, 473, 400/474, 489, 479, 109.1; 434/112, 113, 434/114  
CPC G09B 21/001; G09B 21/003; G09B 21/004; G09B 21/006; G09B 21/02; G09B 21/025; G09B 21/04; G06F 2203/04808  
See application file for complete search history.

(56) **References Cited**

**U.S. PATENT DOCUMENTS**

3,332,527 A \* 7/1967 Place ..... B41J 5/10  
400/109.1  
D287,854 S \* 1/1987 Crews ..... 400/489

(Continued)

**OTHER PUBLICATIONS**

Student-made tablet app may make dedicated Braille writers obsolete. gizmag.com. [online] 2 pages. Published Oct. 11, 2011[retrieved on Feb. 23, 2016]. Retrieved from Internet: <http://www.gizmag.com/touchscreen-braille-writer/20118/>.\*

(Continued)

*Primary Examiner* — Susan Bennett Hattan

*Assistant Examiner* — Marie Fast Horse

(74) *Attorney, Agent, or Firm* — Westerman, Hattori, Daniels & Adrian, LLP

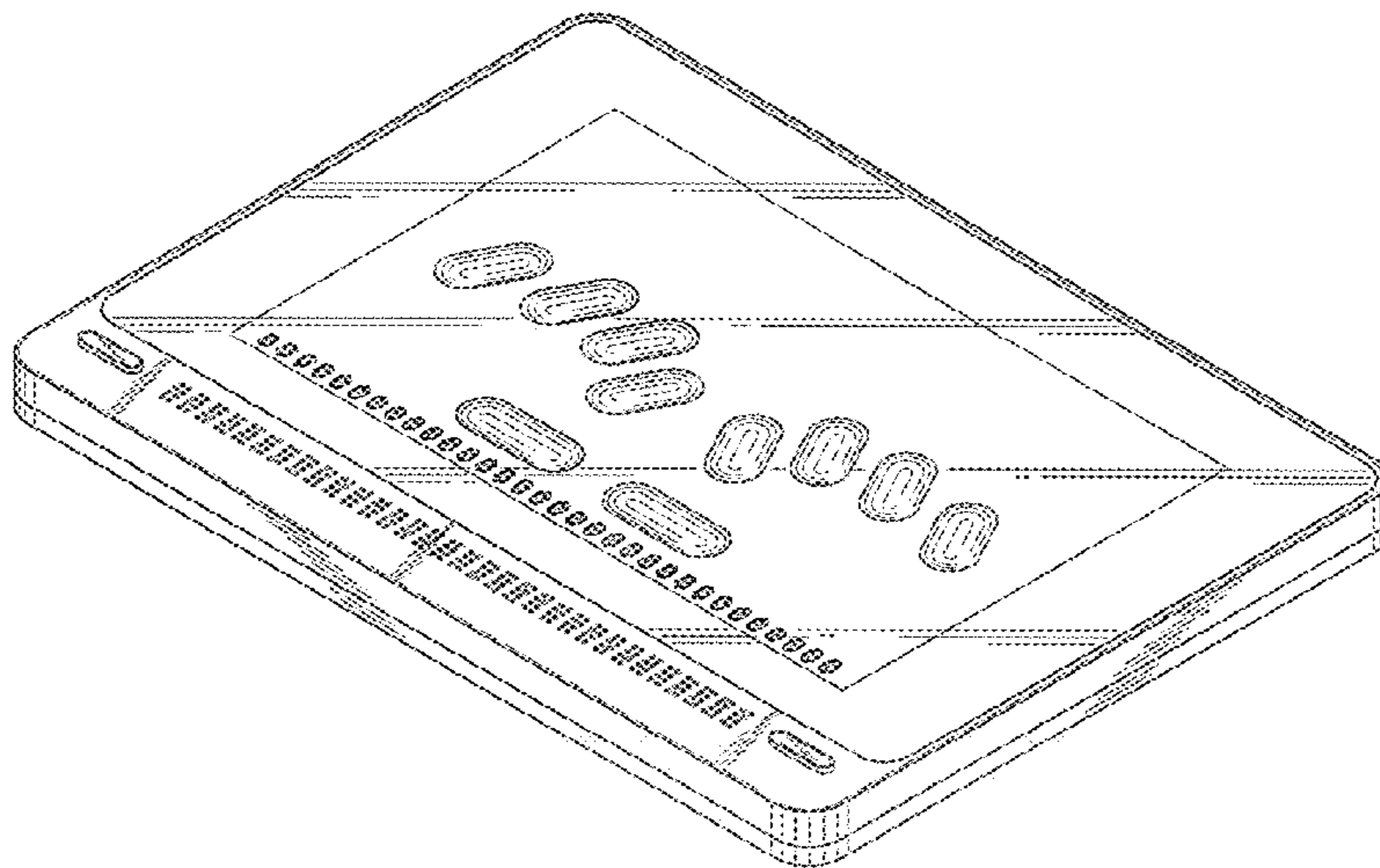
(57) **CLAIM**

The ornamental design for a touch pad for visually impaired or blind people, as shown and described.

**DESCRIPTION**

FIG. 1 is a front perspective view of a touch pad for visually impaired or blind people, showing my new design;  
FIG. 2 is a front elevational view thereof;  
FIG. 3 is a rear elevational view thereof;  
FIG. 4 is a right side elevational view thereof;  
FIG. 5 is a left side elevational view thereof;  
FIG. 6 is a top plan view thereof;  
FIG. 7 is a bottom plan view thereof;  
FIG. 8 is an enlarged partial front elevational view taken along lines 8-8 of FIG. 2;  
FIG. 9 is a cross-sectional view, taken along lines 9-9 of FIG. 8;  
FIG. 10 is a cross-sectional view, taken along lines 10-10 of FIG. 8;  
FIG. 11 is a cross-sectional view, taken along lines 11-11 of FIG. 8;  
FIG. 12 is a cross-sectional view, taken along lines 12-12 of FIG. 8; and,  
FIG. 13 is a front elevational view thereof, including environmental structure.  
The broken lines illustrate environmental structures only and form no part of the claimed design.

**1 Claim, 6 Drawing Sheets**



(56)

References Cited

U.S. PATENT DOCUMENTS

D301,233 S \* 5/1989 Briscoe ..... D14/391  
 D303,374 S \* 9/1989 Larson ..... D14/339  
 D308,668 S \* 6/1990 Briscoe ..... D14/391  
 D322,606 S \* 12/1991 Muller ..... D14/399  
 5,154,614 A \* 10/1992 Matsuoka ..... G09B 21/006  
 434/112  
 D335,653 S \* 5/1993 Rak ..... D14/137  
 D346,620 S \* 5/1994 McSorley ..... D14/389  
 D360,235 S \* 7/1995 Emrys-Roberts ..... D14/401  
 D406,572 S \* 3/1999 Daniel ..... D14/346  
 D456,408 S \* 4/2002 Common ..... D14/391  
 D473,226 S \* 4/2003 Griffin ..... D14/346  
 6,542,623 B1 \* 4/2003 Kahn ..... G09B 21/025  
 382/114  
 D502,180 S \* 2/2005 Gambaro ..... D14/391  
 7,029,190 B1 \* 4/2006 Davis ..... G06F 3/0219  
 341/21  
 D551,664 S \* 9/2007 Lin ..... D14/341  
 D562,321 S \* 2/2008 Jawerth ..... D14/391  
 D598,015 S \* 8/2009 Busri ..... D14/341  
 D606,539 S \* 12/2009 Liao ..... D14/138 AD  
 D628,570 S \* 12/2010 Li ..... D14/341  
 D629,401 S \* 12/2010 Crisp ..... D14/390  
 D629,402 S \* 12/2010 Crisp ..... D14/390  
 D631,047 S \* 1/2011 Hirota ..... D14/390  
 D638,421 S \* 5/2011 Tsai ..... D14/346  
 D639,804 S \* 6/2011 Hwang ..... D14/341  
 D656,136 S \* 3/2012 Lee ..... D14/341  
 D665,803 S \* 8/2012 Knighton ..... D14/391  
 D675,614 S \* 2/2013 Feng ..... D14/341  
 D678,875 S \* 3/2013 Chen ..... D14/341  
 D681,631 S \* 5/2013 Akana ..... D14/341  
 D684,970 S \* 6/2013 Zhang ..... D14/341  
 D690,696 S \* 10/2013 Jonsson ..... D14/390  
 8,549,998 B2 \* 10/2013 Pikhart ..... B41J 3/32  
 101/18  
 D711,371 S \* 8/2014 Chen ..... D14/341

D715,290 S \* 10/2014 Bryan ..... D14/341  
 D732,017 S \* 6/2015 Yun ..... D14/341  
 D732,526 S \* 6/2015 Ferren ..... D14/341  
 D745,508 S \* 12/2015 Ferren ..... D14/341  
 2003/0122689 A1 \* 7/2003 Romeo ..... G09B 21/005  
 341/21  
 2009/0104587 A1 \* 4/2009 Fabrick, II ..... G09B 21/02  
 434/113  
 2009/0160813 A1 \* 6/2009 Takashima ..... G06F 3/016  
 345/173  
 2011/0057921 A1 \* 3/2011 van Hees ..... G09B 21/004  
 345/211  
 2011/0216006 A1 \* 9/2011 Litschel ..... G06F 3/016  
 345/168  
 2012/0094257 A1 \* 4/2012 Pillischer ..... B41J 3/32  
 434/113  
 2012/0214139 A1 \* 8/2012 Murphy ..... G09B 21/004  
 434/114  
 2014/0029189 A1 \* 1/2014 Chang ..... G06F 1/1662  
 361/679.11  
 2015/0091834 A1 \* 4/2015 Johnson ..... G06F 3/016  
 345/173  
 2015/0262509 A1 \* 9/2015 Labbe ..... G09B 21/004  
 434/113  
 2016/0034180 A1 \* 2/2016 Labbe ..... G06F 3/04886  
 345/173

OTHER PUBLICATIONS

Blitab: La primera tablet en Braille para ciegos. lavoz.com.ar. [online] 2 pages. Published Jun. 29, 2015 [retrieved on Feb. 23, 2016]. Retrieved from Internet: <[http://www.lavoz.com.ar/tecnologia/blitab-la-primera-tablet-en-braille-para-ciegos?cx\\_level=ahora](http://www.lavoz.com.ar/tecnologia/blitab-la-primera-tablet-en-braille-para-ciegos?cx_level=ahora)>.\*  
 BrailleSense OnHand. sterlingadaptives.com [online] 1 pages. Published Jul. 2012 [retrieved on Feb. 23, 2016]. Retrieved from Internet: <<http://sterlingadaptives.com/products/braillesense-onhand/>>.\*

\* cited by examiner

FIG. 1

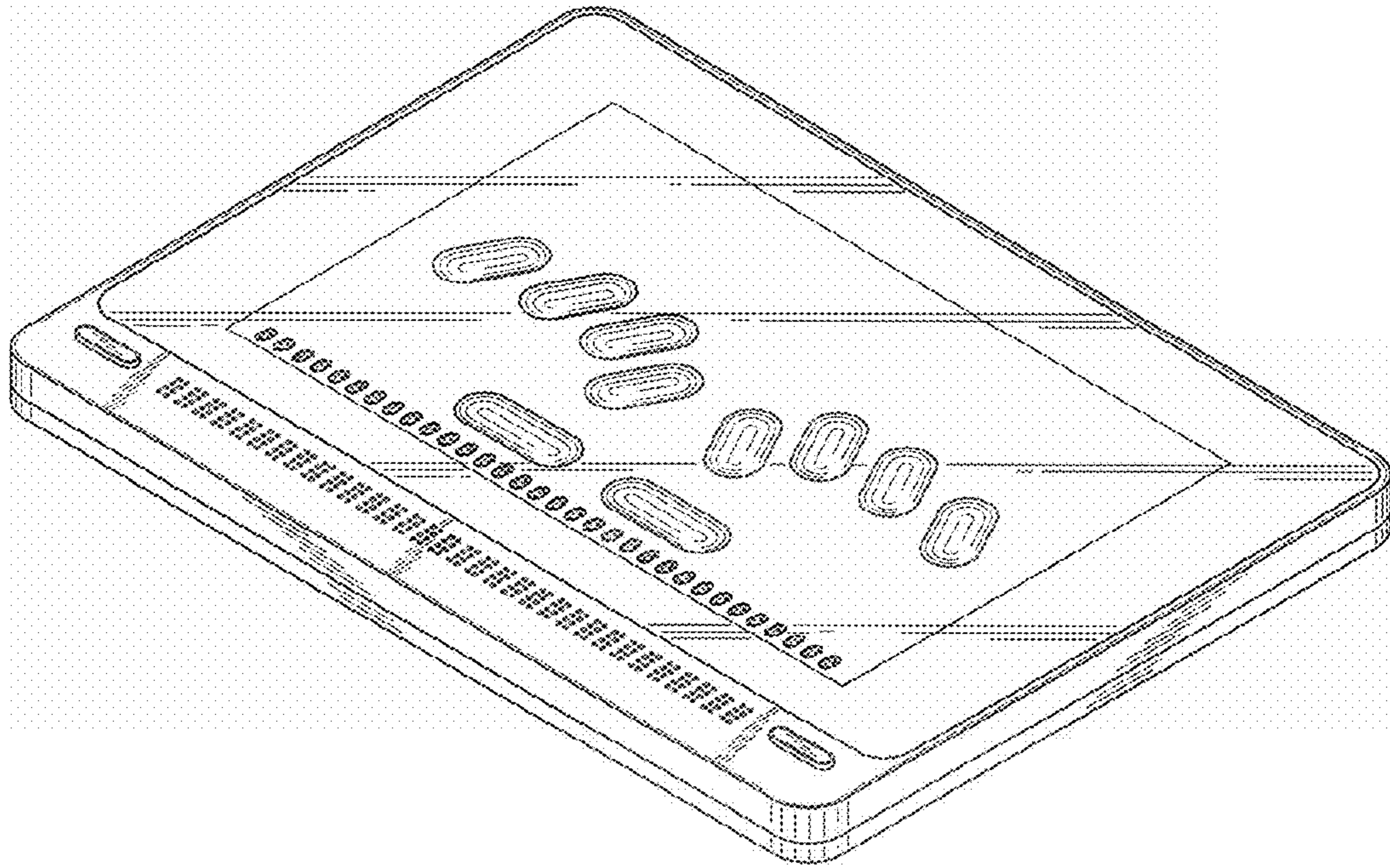


FIG. 2

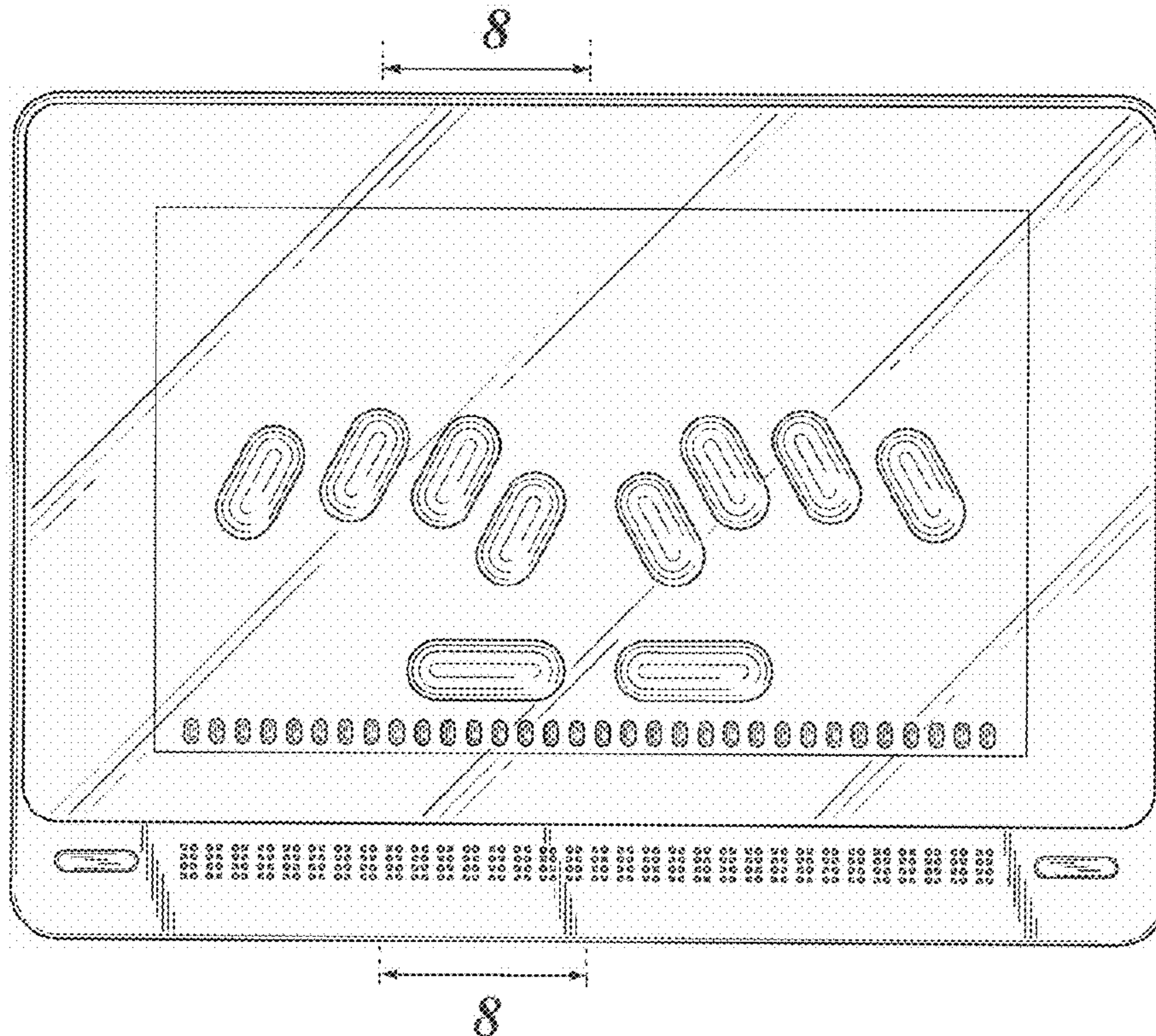


FIG. 3

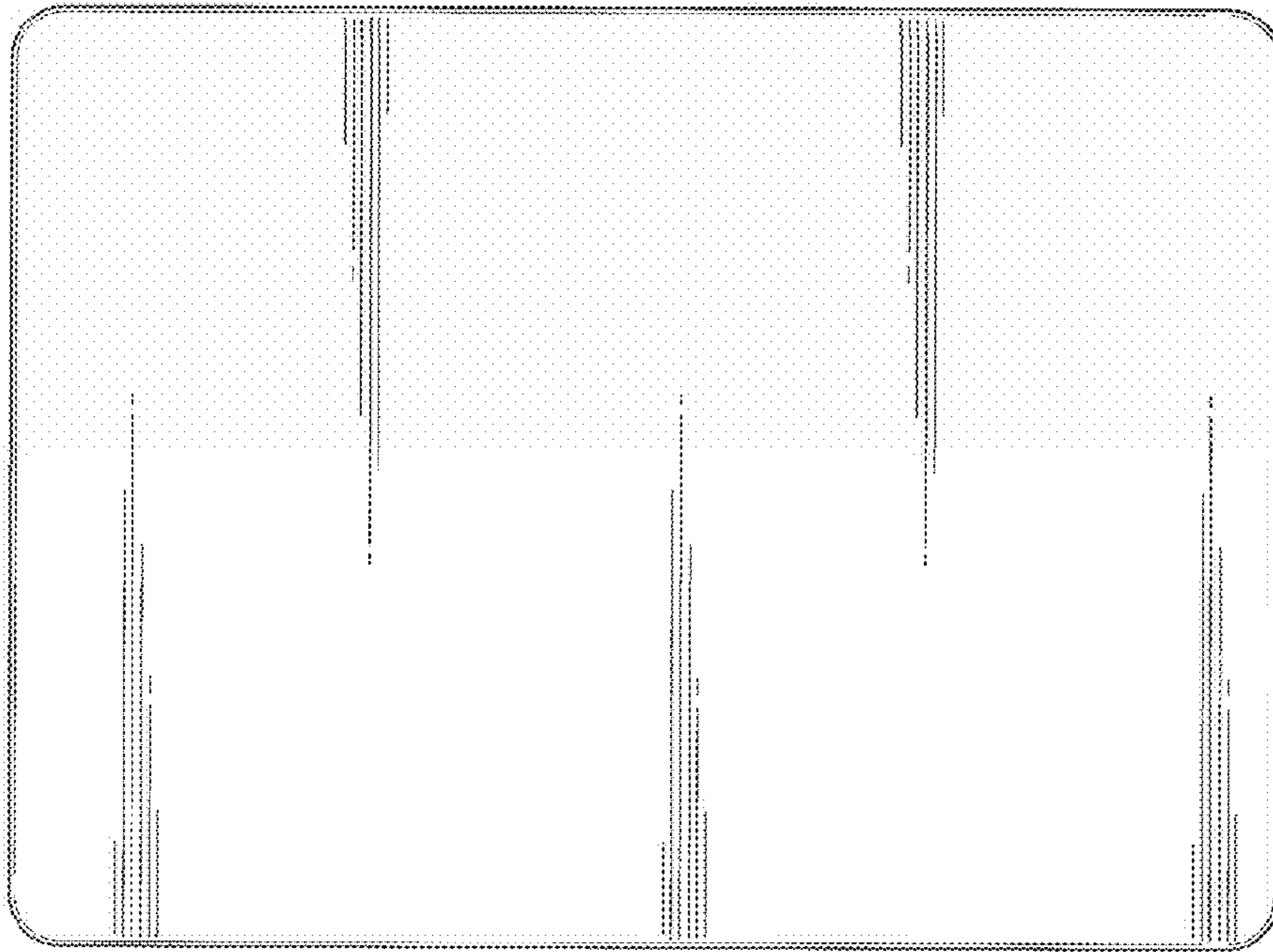


FIG. 4

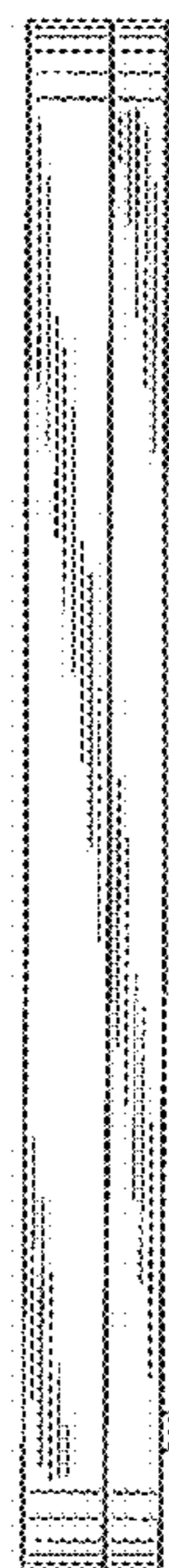


FIG. 5

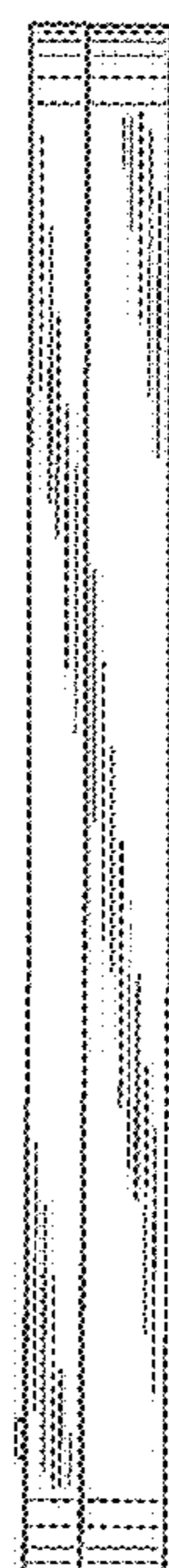


FIG. 6

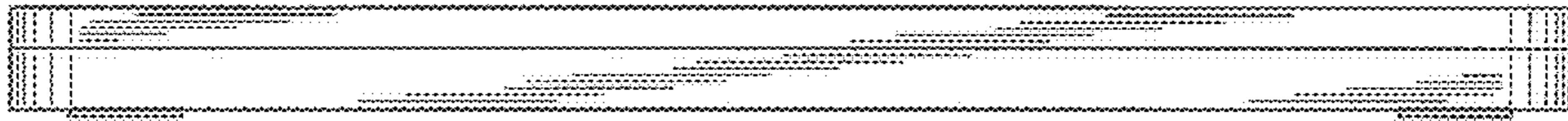


FIG. 7



FIG. 8

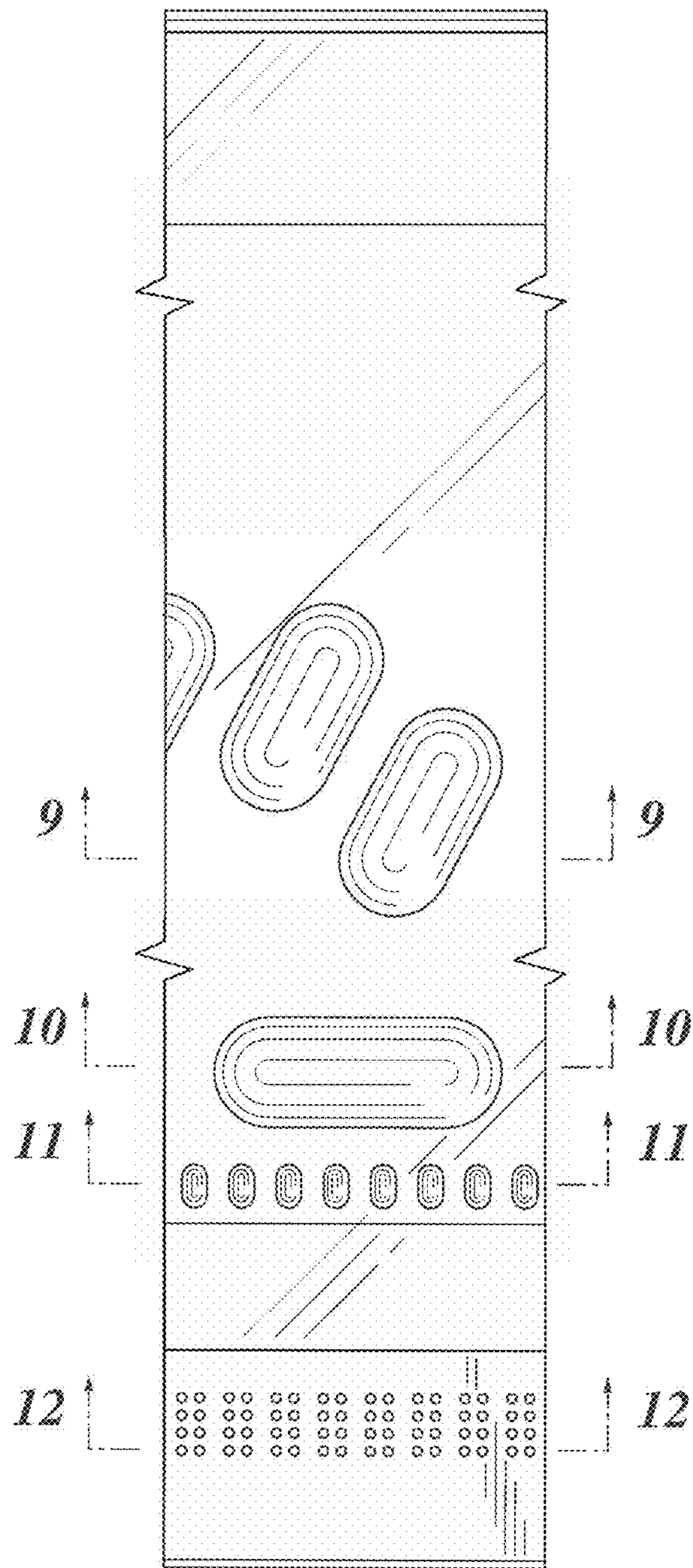


FIG. 9

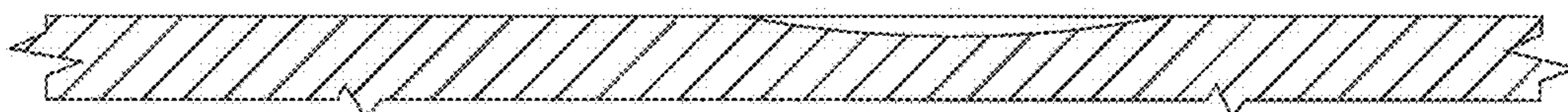


FIG. 10

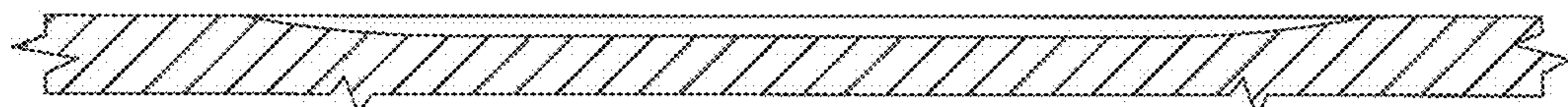


FIG. 11

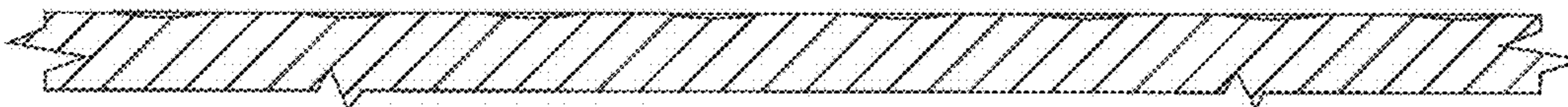


FIG. 12



FIG. 13

