

US00D766239S

(12) **United States Design Patent** (10) **Patent No.:** **US D766,239 S**
Goetgeluk (45) **Date of Patent:** **** Sep. 13, 2016**

(54) **OMNIDIRECTIONAL LOCOMOTION PLATFORM**

FOREIGN PATENT DOCUMENTS

(71) Applicant: **VIRTUIX HOLDINGS, INC.**,
Houston, TX (US)

CN 204798714 U * 11/2015 A63B 22/02
WO 2006017926 A1 2/2006
WO 2010089618 A2 8/2010

(72) Inventor: **Jan Goetgeluk**, Houston, TX (US)

OTHER PUBLICATIONS

(73) Assignee: **VENTURE LENDING & LEASING VIL, INC.**, Portola Valley, CA (US)

Virtuix-omni-treadmill-controller.jpg. gajitz.com. [online] 1 page
Uploaded Mar. 4, 2013 [retrieved on Feb. 11, 2016]. Retrieved from
Internet: <http://gajitz.com/virtual-reality-gets-realer-motion-based-treadmill-control/>.*

(**) Term: **14 Years**

(Continued)

(21) Appl. No.: **29/488,951**

Primary Examiner — Susan Bennett Hattan

(22) Filed: **Apr. 24, 2014**

Assistant Examiner — Marie Fast Horse

(51) **LOC (10) Cl.** **14-02**

(74) *Attorney, Agent, or Firm* — Polsinelli PC

(52) **U.S. Cl.**

(57) **CLAIM**

USPC **D14/388**; D21/669; D21/324

I claim the ornamental design for an omnidirectional locomotion platform, as shown and described.

(58) **Field of Classification Search**

USPC D14/419, 356, 388, 389, 399, 400, 402,
D14/408, 432, 433, 439, 454, 299, 218, 496,
D14/511; D21/324, 333, 669, 671;
D13/164; 482/51, 61; 463/7

DESCRIPTION

CPC A63B 2024/0096; A63B 2069/0037;
A63B 2225/093; A63B 2225/50; A63B
2210/50; A63B 2220/10; A63B 2220/12;
A63B 2220/40; A63B 2220/805; A63B
2071/0638; A63B 2208/12; A63B 2300/8082
See application file for complete search history.

FIG. 1 is a perspective view of an embodiment of an omnidirectional locomotion platform;
FIG. 2 is a left side elevational view thereof;
FIG. 3 is a right side elevational view thereof;
FIG. 4 is a rear elevational view thereof;
FIG. 5 is a front elevational view thereof;
FIG. 6 is a top plan view thereof;
FIG. 7 is a bottom plan view thereof;
FIG. 8 is a cross-sectional view thereof taken along axis 8-8 from FIG. 6;
FIG. 9 is a cross-sectional view thereof taken along axis 9-9 from FIG. 6; and,
FIG. 10 is a cross-sectional view thereof taken along axis 10-10 from FIG. 6.

(56) **References Cited**

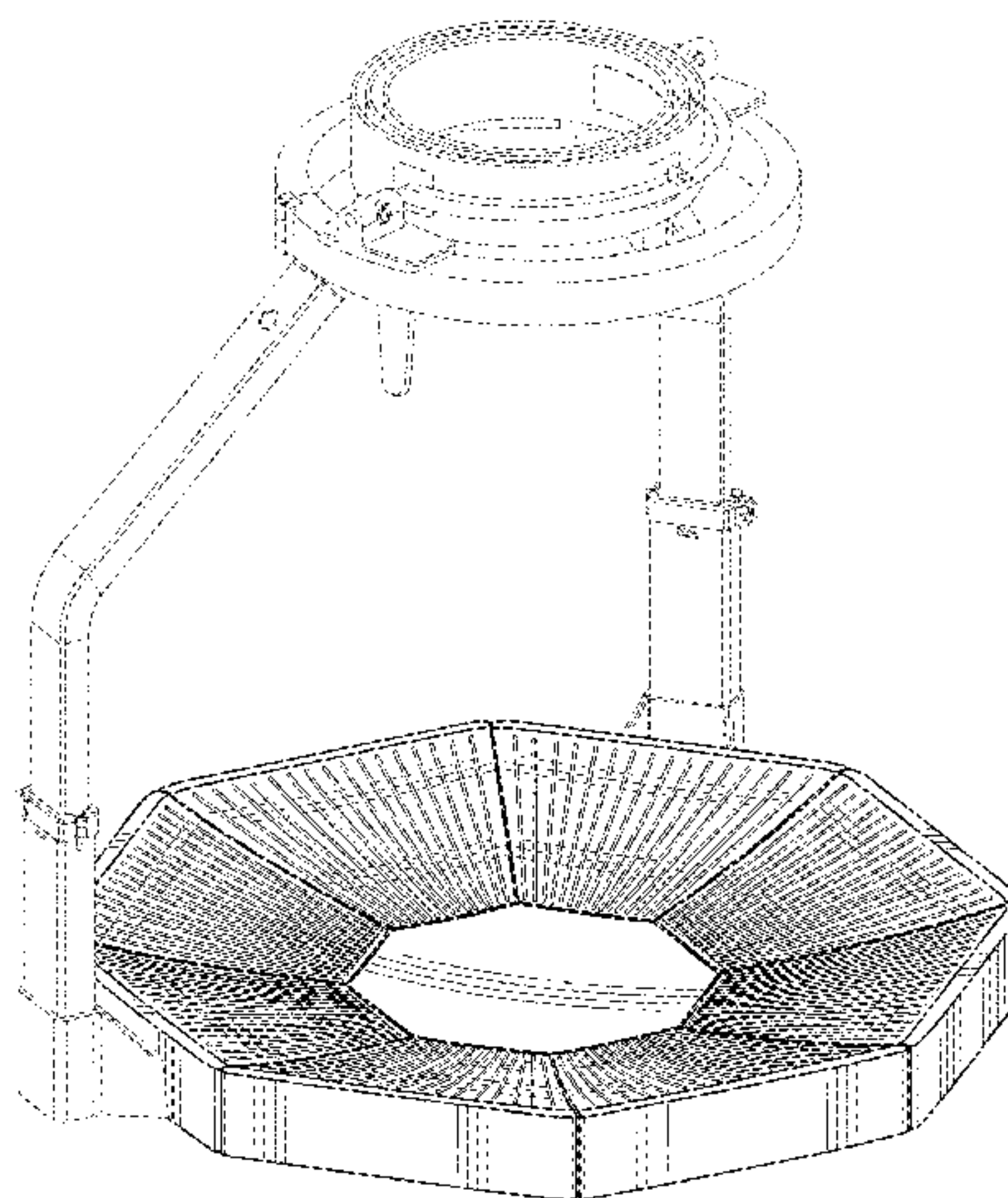
U.S. PATENT DOCUMENTS

5,846,134 A 12/1998 Latypov
5,902,214 A 5/1999 Makikawa
5,913,727 A 6/1999 Ahdoot
D446,824 S * 8/2001 Muraki D21/333
6,270,414 B2 8/2001 Roelofs
D460,492 S * 7/2002 Muraki D21/325
D479,860 S * 9/2003 Lim D14/217
D483,084 S * 12/2003 Gvoich D21/671

Broken lines are used to illustrate unclaimed portions of the omnidirectional locomotion platform; broken lines form no part of the claimed design.

(Continued)

1 Claim, 10 Drawing Sheets



(56)

References Cited

U.S. PATENT DOCUMENTS

D493,500	S *	7/2004	Dalebout	D21/671
D510,391	S *	10/2005	Merril	D21/324
D514,627	S *	2/2006	Merril	D21/324
D519,569	S *	4/2006	Kiyono	D21/333
D574,788	S *	8/2008	Yamamoto	D13/164
D601,643	S *	10/2009	Byle	D21/662
D646,725	S *	10/2011	Utsumi	D14/496
D651,258	S *	12/2011	Rivard	D21/333
D693,411	S *	11/2013	Rivard	D14/419
D713,466	S *	9/2014	Otero	D21/324
D742,972	S *	11/2015	Corrigan	D21/324
2006/0073941	A1 *	4/2006	Perry	A61H 1/005 482/51
2006/0139317	A1 *	6/2006	Leu	G06F 3/011 345/156
2007/0109259	A1	5/2007	Liu		
2007/0270285	A1 *	11/2007	Gill	A63B 22/02 482/54
2009/0111670	A1	4/2009	Williams		
2010/0147430	A1 *	6/2010	Shultz	B60C 7/22 152/450
2011/0009241	A1 *	1/2011	Lane	A63B 24/0087 482/8
2013/0237378	A1 *	9/2013	Carrell	A63C 17/061 482/51
2014/0111424	A1	4/2014	Goetgeluk		
2015/0190713	A1 *	7/2015	Goetgeluk	A63F 13/40 345/156
2016/0035228	A1 *	2/2016	Cakmak	G09B 5/00 434/247

OTHER PUBLICATIONS

Interview With the Creator of the Virtuix Omni. babysoftmurderhands.com [online] p. 4 of 5. Uploaded Mar. 4, 2013 [retrieved on Feb. 11, 2016]. Retrieved from Internet: <<http://babysoftmurderhands.com/2013/03/vr-interview-with-the-creator-of-the-virtuix-omni/>>.*

Wizdish Locomotion Platform Kinect Virtual Reality in the home demo. Youtube.com. [online video] 1 page Uploaded Jan. 29, 2012 [retrieved on Feb. 11, 2016]. Retrieved from Internet: <<https://www.youtube.com/watch?v=1zc6KXdpmaQ>>.*

Treadmills—Wang, Bo. (Design -©Questel). orbit.com [online PDF] 11 pages. Publish dates: 2015 [retrieved on Feb. 11, 2016]. Retrieved from Internet: <<http://sobjprd.questel.fr/export/QPTUJ214/pdf2/4c793a65-485c-4522-8714-df17864cf772-220249.pdf>>.*

The ultimate Battlefield 3 simulator has been created. geek.com. [online] 2 pages Uploaded Oct. 31, 2011 [retrieved on Feb. 11, 2016]. Retrieved from Internet: <<http://www.geek.com/games/the-ultimate-battlefield-3-simulator-has-been-created-1435731/>>.*

Non-Final Office Action mailed Sep. 14, 2015; U.S. Appl. No. 14/062,625.

International Patent Application No. PCT/US2013/066662, PCT International Search Report and Written Opinion dated Feb. 19, 2014 (14 pp.).

* cited by examiner

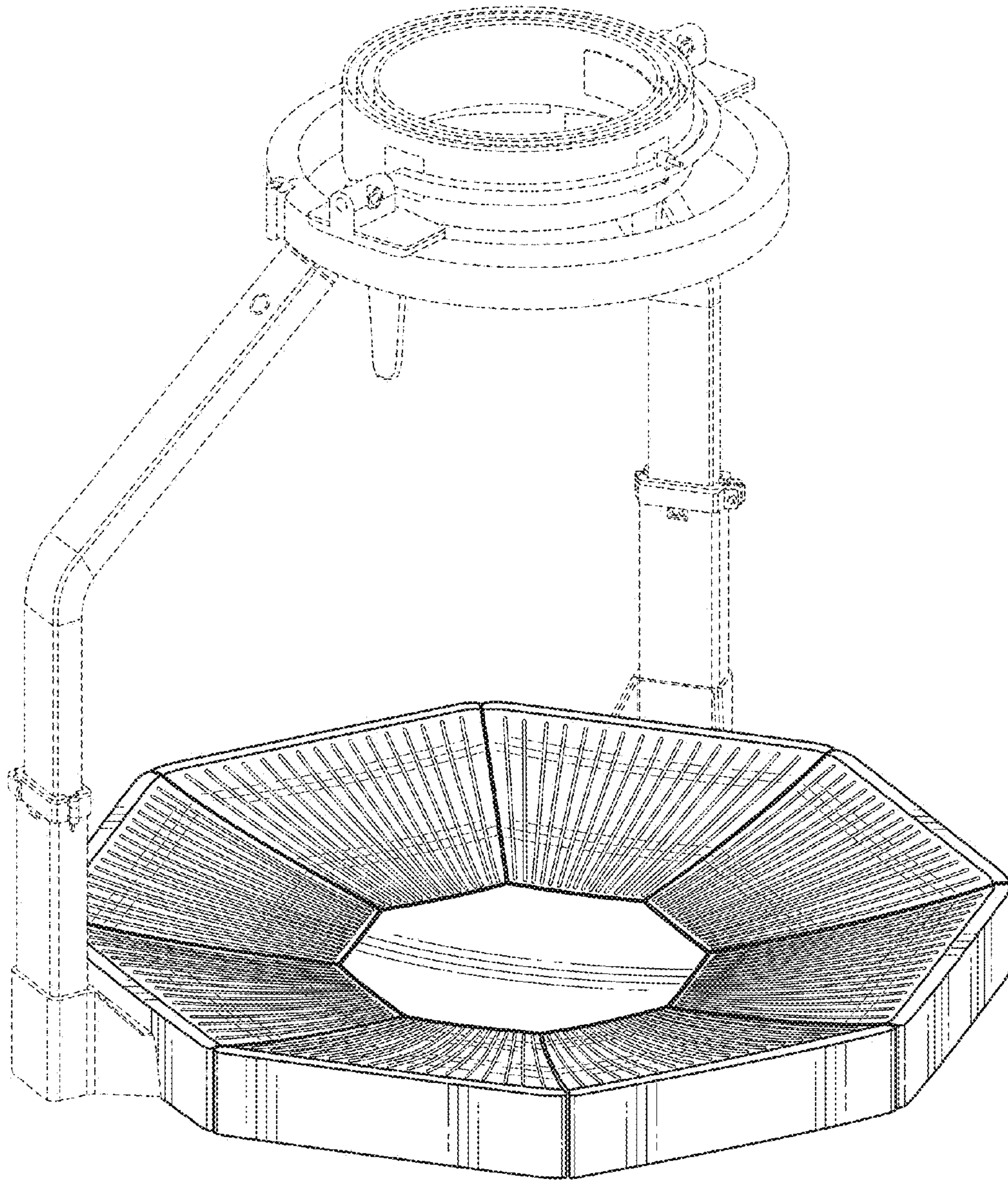


FIG. 1

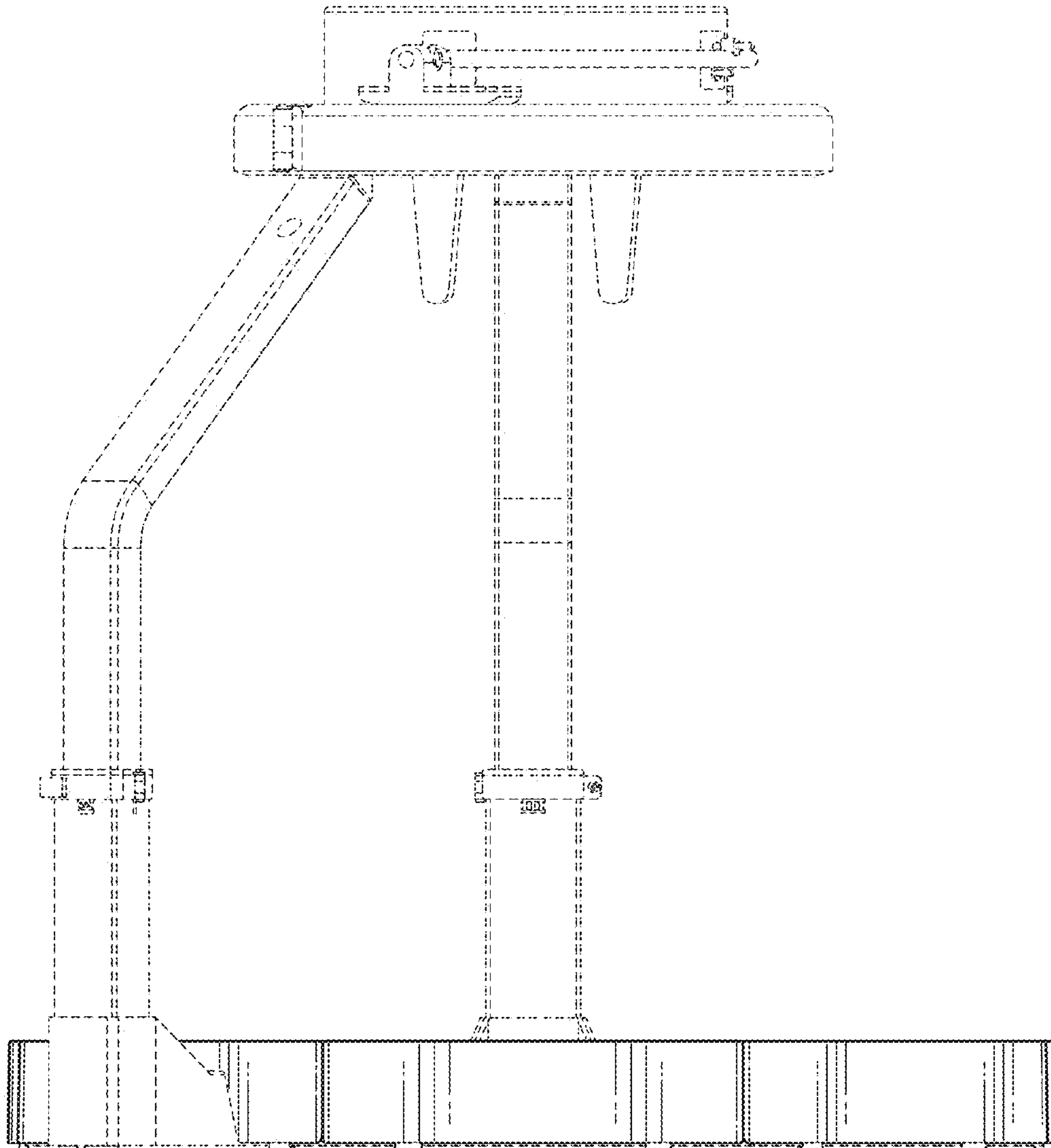


FIG. 2

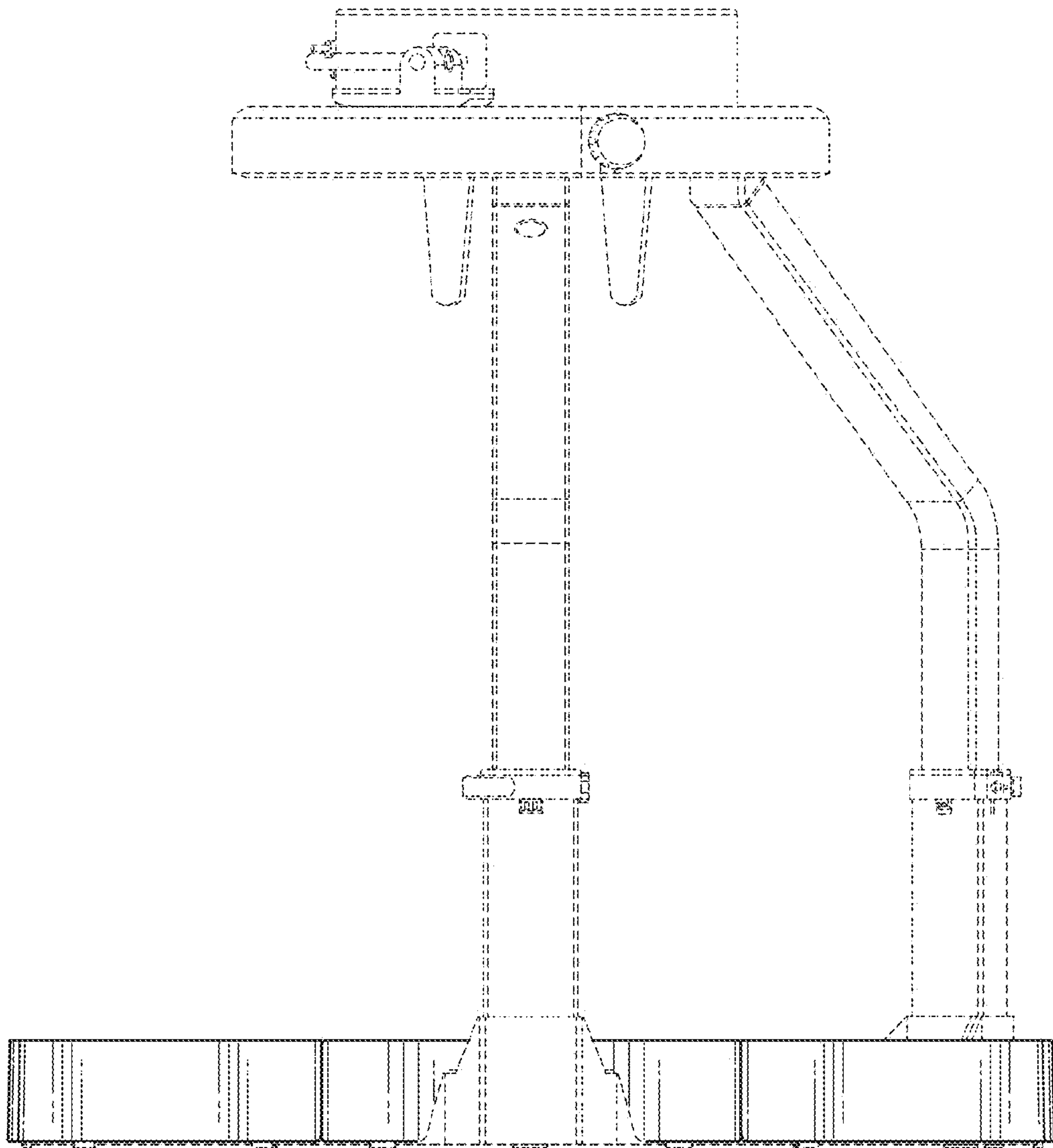


FIG. 3

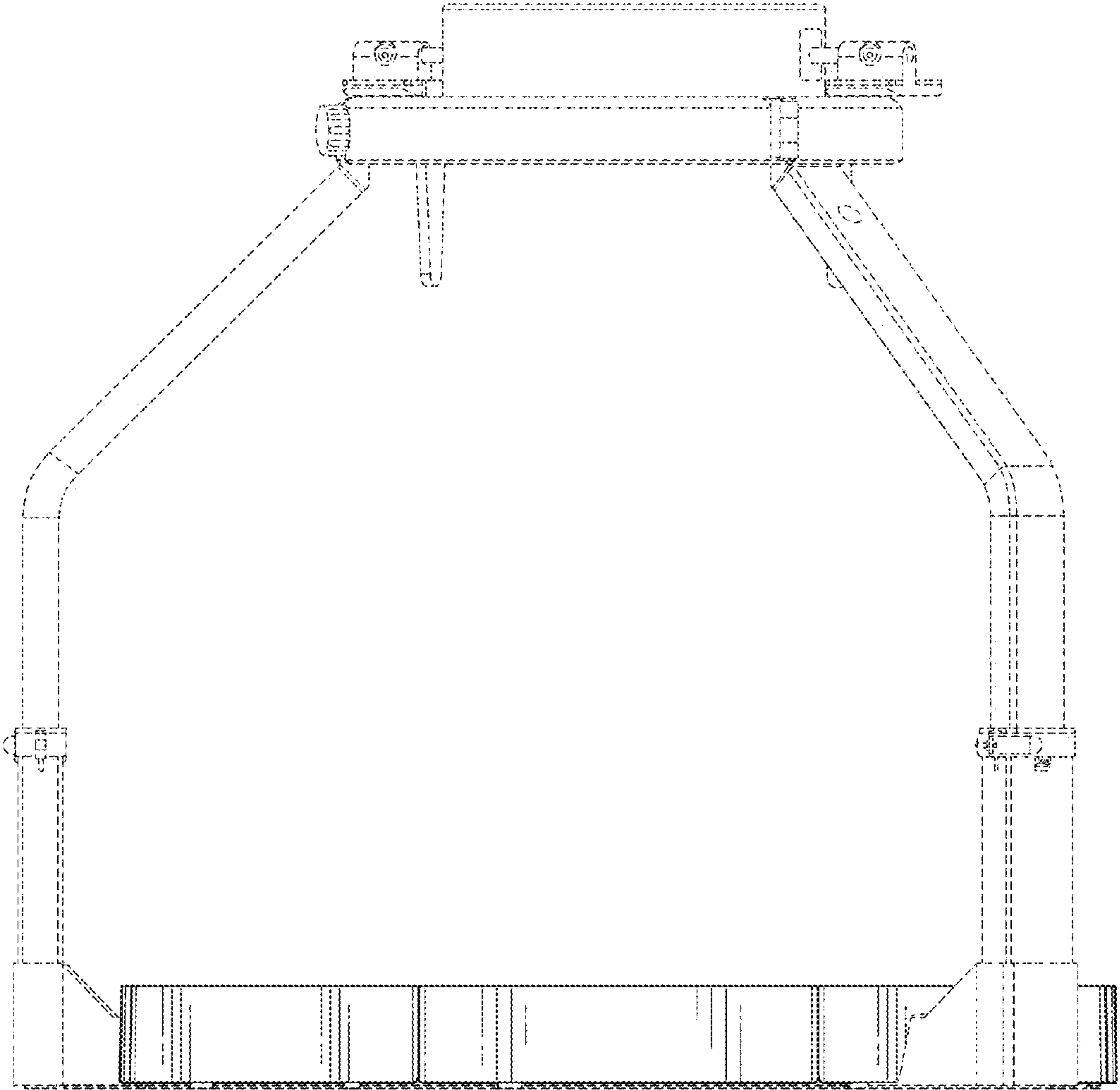


FIG. 4

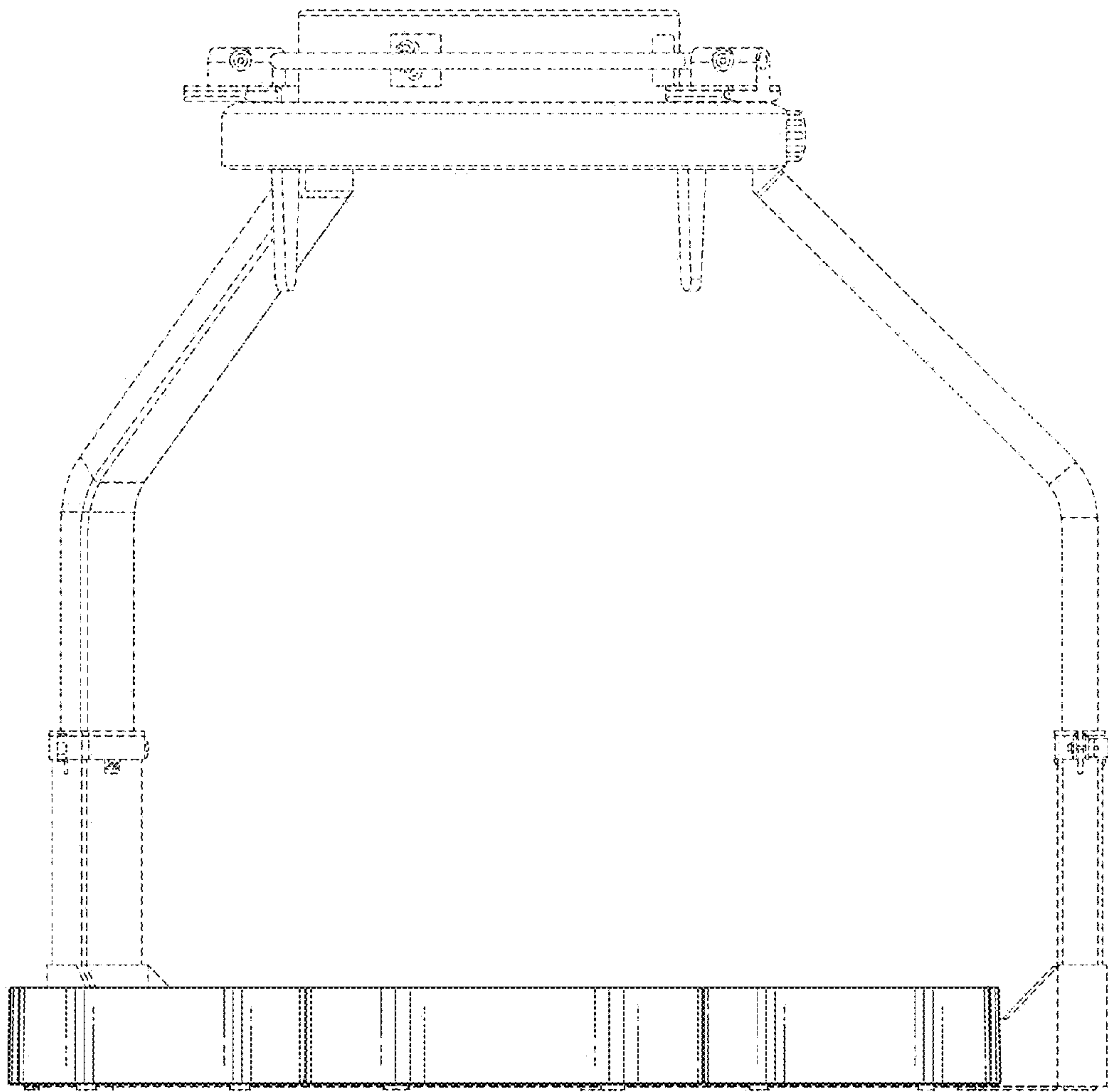


FIG. 5

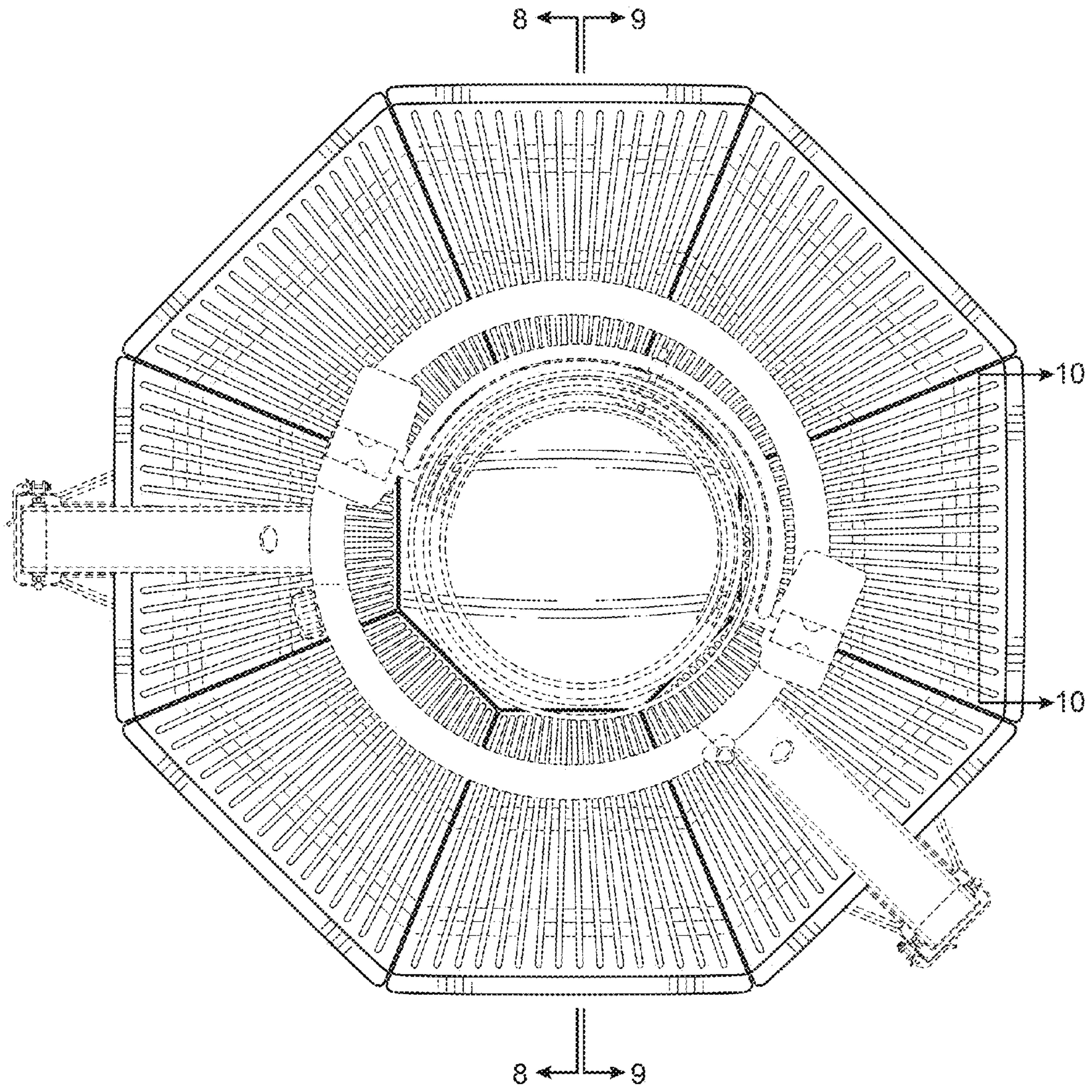


FIG. 6

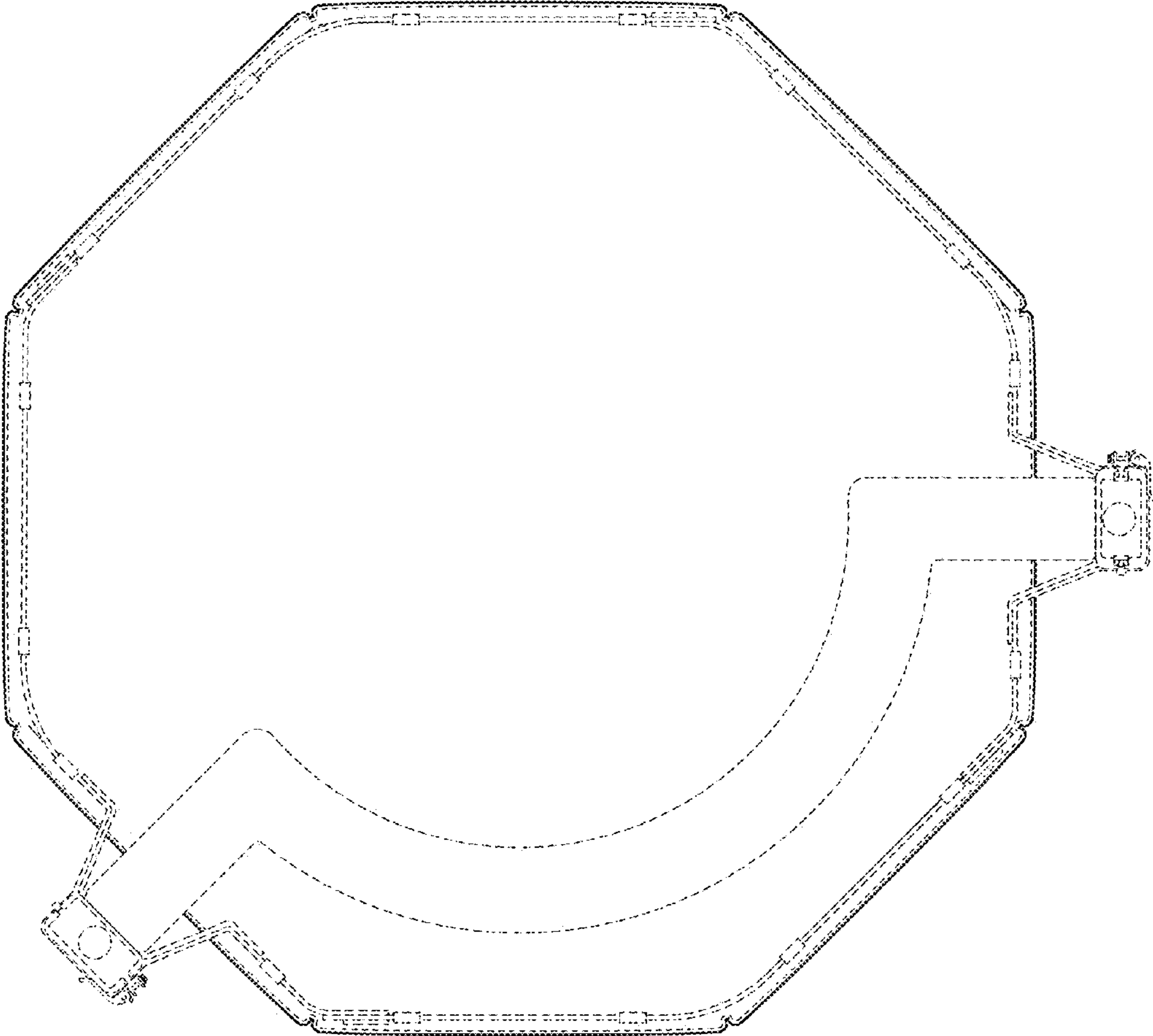


FIG. 7

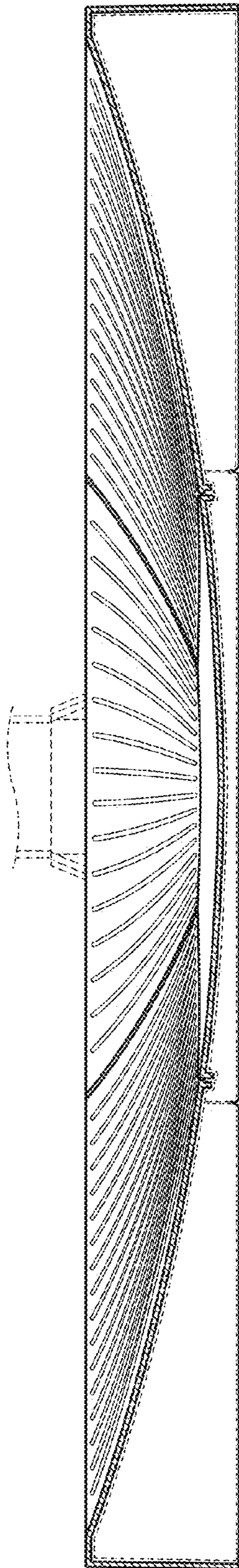


FIG. 8

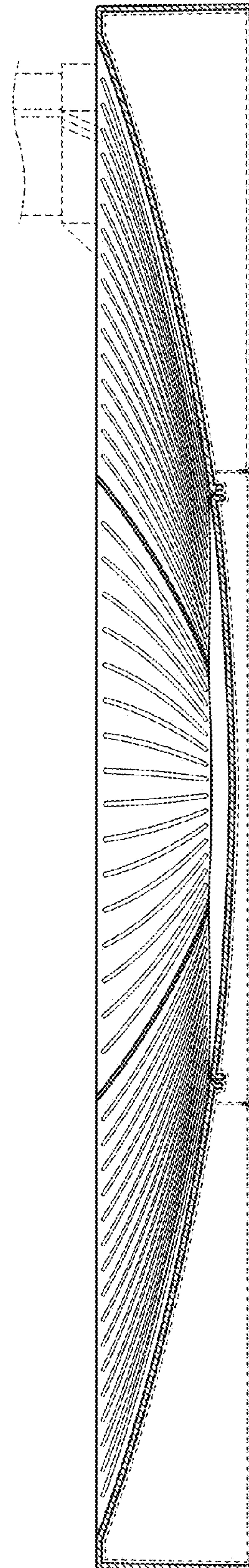


FIG. 9



FIG. 10