

US00D766238S

(12) **United States Design Patent** (10) **Patent No.:** **US D766,238 S**  
**Nguyen** (45) **Date of Patent:** **\*\* Sep. 13, 2016**

(54) **CARD READER**  
(71) Applicant: **Square, Inc.**, San Francisco, CA (US)  
(72) Inventor: **Anthony Pham Nguyen**, San Francisco, CA (US)  
(73) Assignee: **Square, Inc.**, San Francisco, CA (US)  
(\*\*) Term: **15 Years**

D653,664 S \* 2/2012 Turnbull ..... D14/385  
D675,173 S \* 1/2013 Paradise ..... D14/125  
D676,047 S \* 2/2013 White ..... D14/385  
D680,537 S \* 4/2013 Miller ..... D14/385  
D688,241 S \* 8/2013 Miller ..... D14/385  
D696,255 S \* 12/2013 Bousfield ..... D14/385  
D705,201 S \* 5/2014 Isaacs ..... D14/240  
D711,876 S \* 8/2014 McWilliam ..... D14/385  
8,818,867 B2 8/2014 Baldwin et al.  
D719,561 S \* 12/2014 Akana ..... D14/314

(Continued)

(21) Appl. No.: **29/532,633**  
(22) Filed: **Jul. 8, 2015**

FOREIGN PATENT DOCUMENTS

WO 2012/003892 A1 1/2012  
WO 2014/008310 A1 1/2014

Related U.S. Application Data

(63) Continuation-in-part of application No. 29/528,683, filed on May 29, 2015.  
(51) **LOC (10) Cl.** ..... **14-02**  
(52) **U.S. Cl.**  
USPC ..... **D14/385**  
(58) **Field of Classification Search**  
USPC ..... D14/356-358, 383-385, 420, 426, 427, D14/432-439, 447, 453, 454, 217, 253, D14/299; D13/107, 108, 133, 146, 147, D13/152, 154, 156, 158, 162, 162.1, 168, D13/173, 177, 102; 235/441, 451, 492, 380, 235/439, 375; 361/679.31, 600, 679.01, 361/679.02  
CPC .. G06Q 20/347; G06Q 20/322; G06Q 40/02; G06Q 30/06; G07F 7/0886  
See application file for complete search history.

OTHER PUBLICATIONS

U.S. Appl. No. 14/709,375, of Babu, A., et al., filed May 11, 2015.  
(Continued)

*Primary Examiner* — Austin Murphy  
(74) *Attorney, Agent, or Firm* — Polsinelli PC

(57) **CLAIM**  
I claim the ornamental design for a card reader, as shown and described.

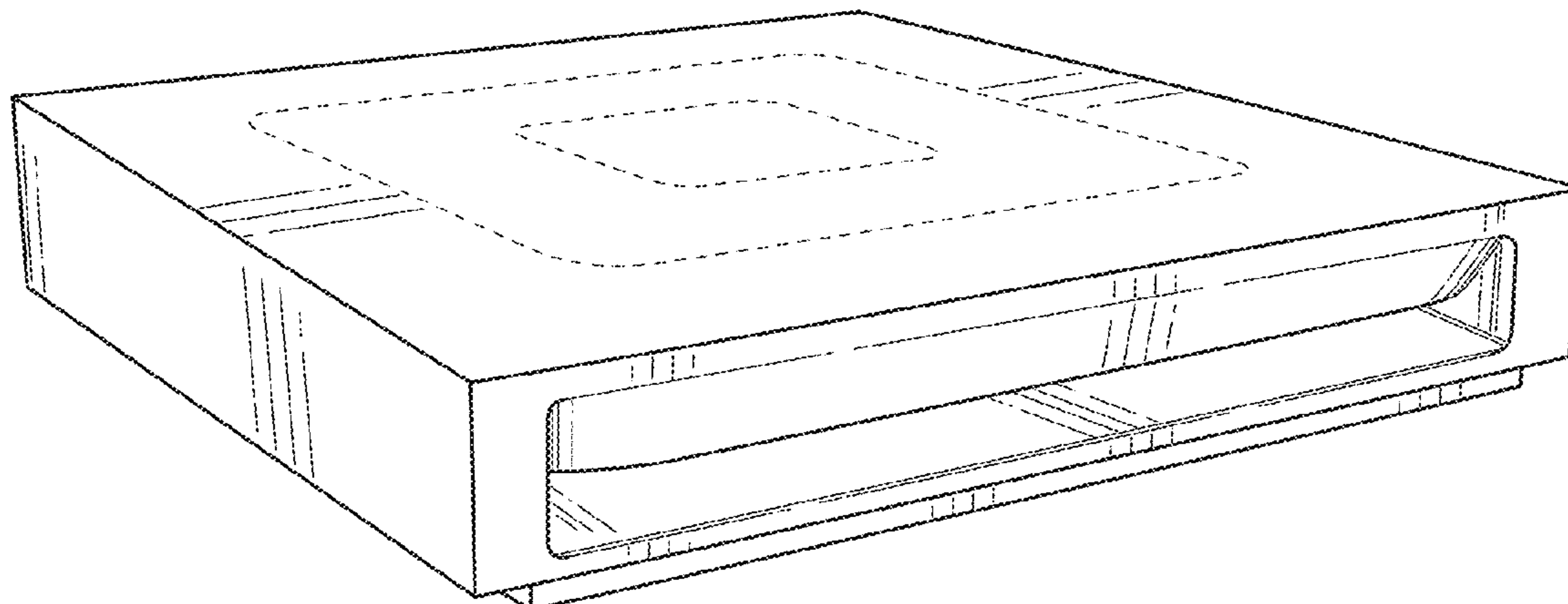
DESCRIPTION

FIG. 1 is a perspective view of a card reader, showing my new design;  
FIG. 2 is a front elevational view thereof;  
FIG. 3 is a rear elevational view thereof;  
FIG. 4 is a right side elevational view thereof;  
FIG. 5 is a left side elevational view thereof;  
FIG. 6 is a top plan view thereof; and,  
FIG. 7 is a bottom plan view thereof.  
Broken lines are for illustrating unclaimed portions of the card reader; the broken lines form no part of the claimed design.

(56) **References Cited**  
U.S. PATENT DOCUMENTS

5,434,395 A 7/1995 Storck et al.  
D405,070 S \* 2/1999 Kitagawa ..... D14/385  
D411,524 S \* 6/1999 Kitagawa ..... D14/356  
D495,700 S \* 9/2004 Mukai ..... D14/356  
D500,039 S \* 12/2004 Chen ..... D14/385

**1 Claim, 7 Drawing Sheets**



(56)

**References Cited**

U.S. PATENT DOCUMENTS

9,058,172	B2	6/2015	Babu et al.	
9,063,737	B2	6/2015	Babu et al.	
D736,207	S *	8/2015	Bousfield .....	D14/385
D740,285	S *	10/2015	Templeton .....	D14/385
D740,286	S *	10/2015	Templeton .....	D14/385
D740,819	S *	10/2015	Weber .....	D14/385
2006/0109123	A1	5/2006	Carrender	
2006/0142058	A1	6/2006	Elias et al.	
2006/0157565	A1	7/2006	Shiomi	
2006/0219776	A1	10/2006	Finn	
2007/0090927	A1	4/2007	Potyrailo et al.	
2010/0308976	A1	12/2010	Seban et al.	
2011/0070834	A1	3/2011	Griffin et al.	
2012/0126011	A1	5/2012	Lamba et al.	
2013/0248601	A1	9/2013	Liang et al.	
2013/0314214	A1	11/2013	Leica et al.	
2014/0127995	A1	5/2014	Hendricksen et al.	
2014/0187153	A1	7/2014	Zhu et al.	
2014/0328488	A1	11/2014	Caballero et al.	
2015/0118956	A1	4/2015	Desai et al.	
2016/0026831	A1	1/2016	Babu et al.	

OTHER PUBLICATIONS

Non-Final Office Action mailed May 8, 2014, for U.S. Appl. No. 13/603,941, of Babu, A., et al., filed Sep. 5, 2012.  
 Non-Final Office Action mailed May 12, 2014, for U.S. Appl. No. 13/603,992, of Babu, A., et al., filed Sep. 5, 2012.  
 Notice of Allowance mailed Feb. 9, 2015, for U.S. Appl. No. 13/603,992, of Babu, A., et al., filed Sep. 5, 2012.

Notice of Allowance mailed Feb. 17, 2015, for U.S. Appl. No. 13/603,941, of Babu, A., et al., filed Sep. 5, 2012.  
 Non-Final Office Action mailed Jul. 9, 2015, for U.S. Appl. No. 14/709,375, of Babu, A., et al., filed May 11, 2015.  
 International Search Report and Written Opinion for PCT Application No. PCT/US2013/049162 mailed on Oct. 16, 2013.  
 Notice of Allowance mailed Mar. 9, 2016, for U.S. Appl. No. 14/874,301, of Babu, A., et al., filed Oct. 2, 2015.  
 Notice of Allowance mailed Mar. 18, 2016, for U.S. Appl. No. 14/868,261, of Lamba, K., et al., filed Sep. 28, 2015.  
 First Examination Report for Indian Design Application No. 277744, mailed on Mar. 8, 2016.  
 First Examination Report for Indian Design Application No. 277745, mailed on Mar. 11, 2016.  
 Certificate of Registration for European Design Registration No. 002873877-0001, mailed on Nov. 23, 2015.  
 Certificate of Registration for European Design Registration No. 002873877-0002, mailed on Nov. 23, 2015.  
 Non-Final Office Action mailed Nov. 25, 2015, for U.S. Appl. No. 14/868,261, of Lamba, K., et al., filed Sep. 28, 2015.  
 Examination Report mailed Dec. 1, 2015, for Community Design Registration Nos. 002873877-0001/002873877-0002, filed on Nov. 23, 2015.  
 Non-Final Office Action mailed Jan. 21, 2016, for U.S. Appl. No. 14/709,375, of Babu, A., et al., filed May 11, 2015.  
 Notice of Allowance mailed May 17, 2016, for Design U.S. Appl. No. 29/528,683, of Nguyen, A., filed May 29, 2015.  
 English-language translation of Office Action for Japanese Design Application No. 2015-026521, mailed on Mar. 15, 2016.  
 English-language translation of Office Action for Japanese Design Application No. 2015-026523, mailed on Mar. 15, 2016.

\* cited by examiner

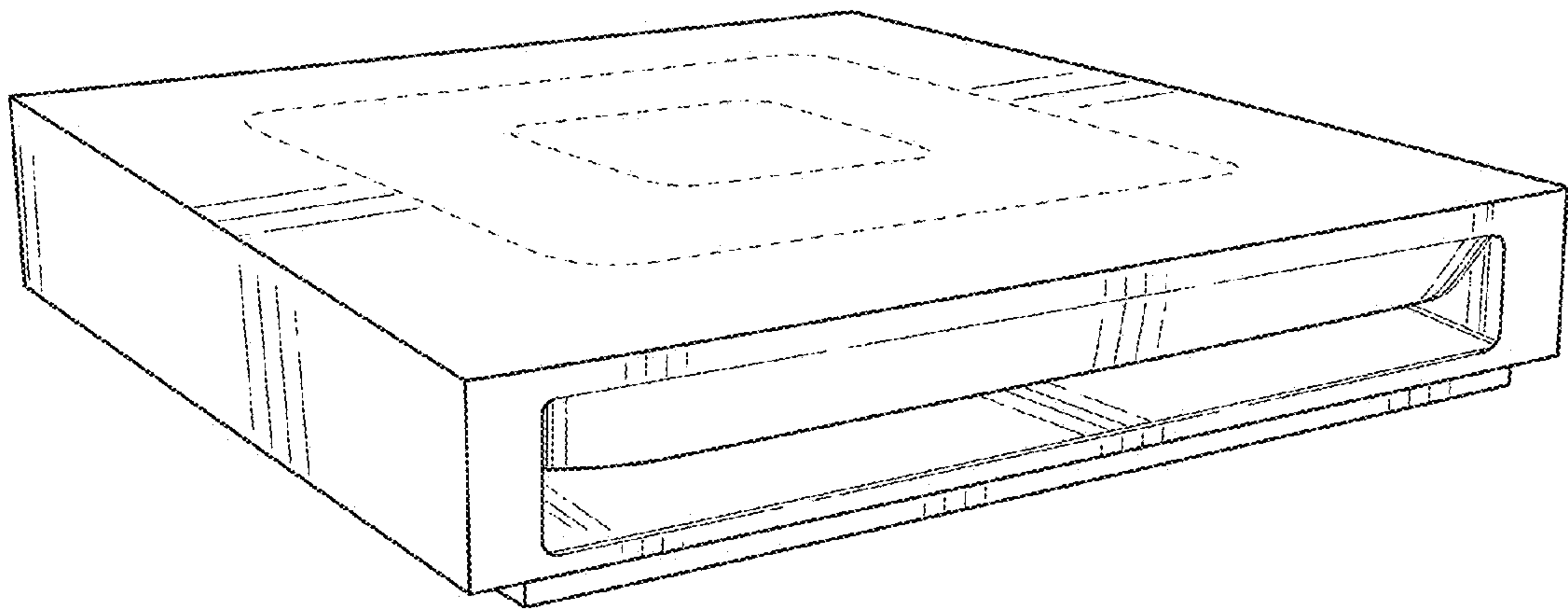


FIG. 1

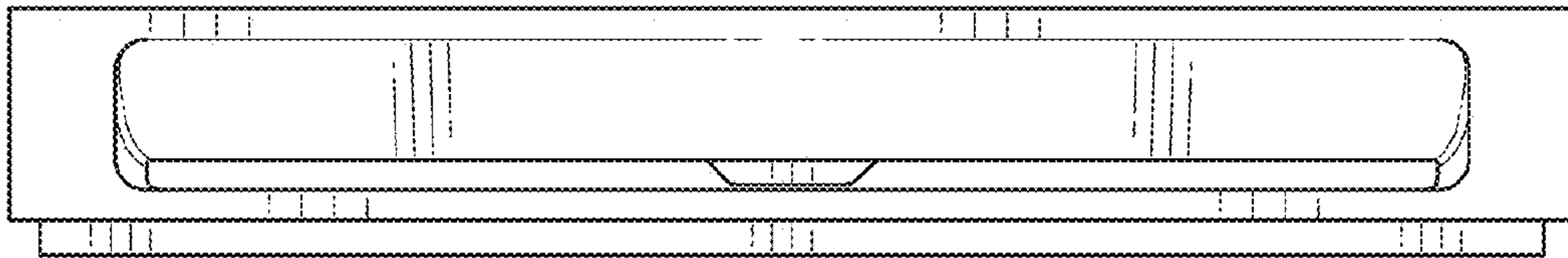


FIG. 2

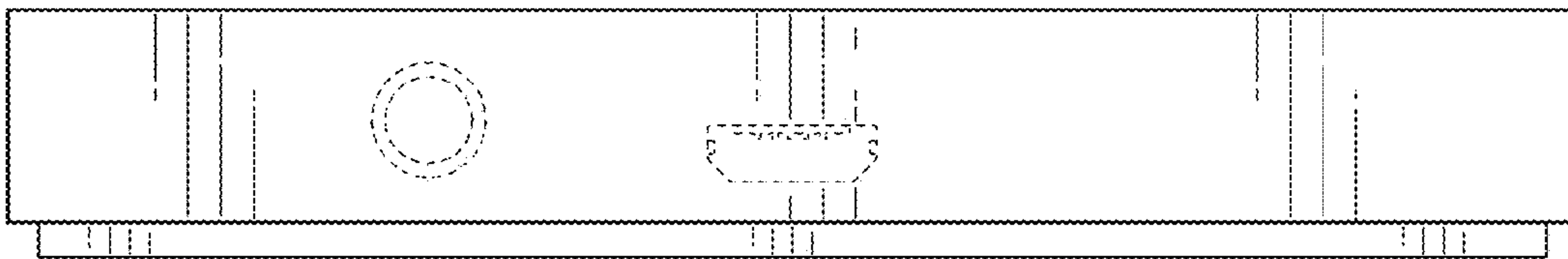


FIG. 3

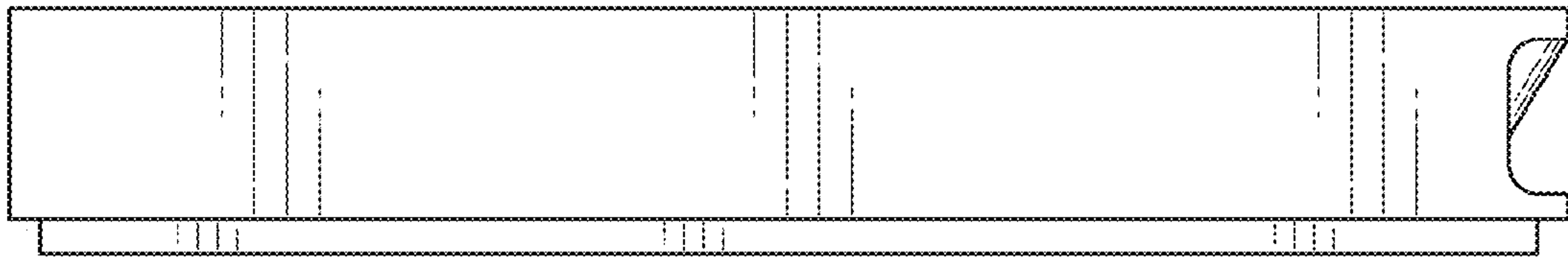


FIG. 4



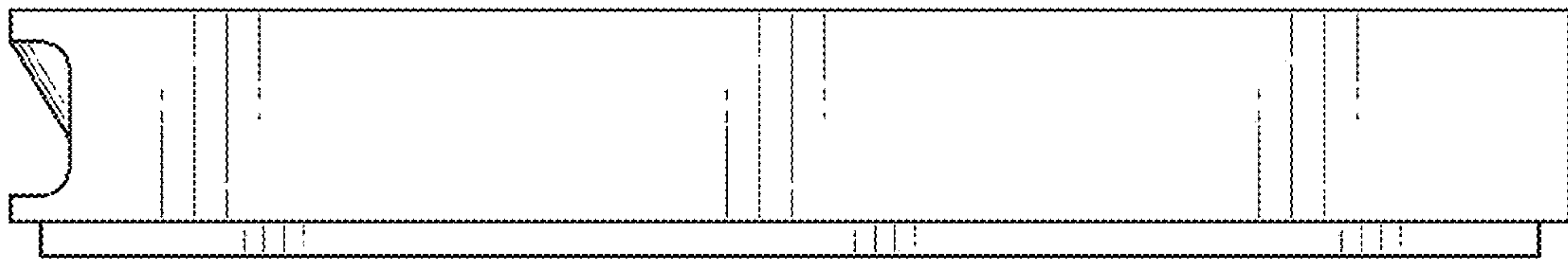


FIG. 5

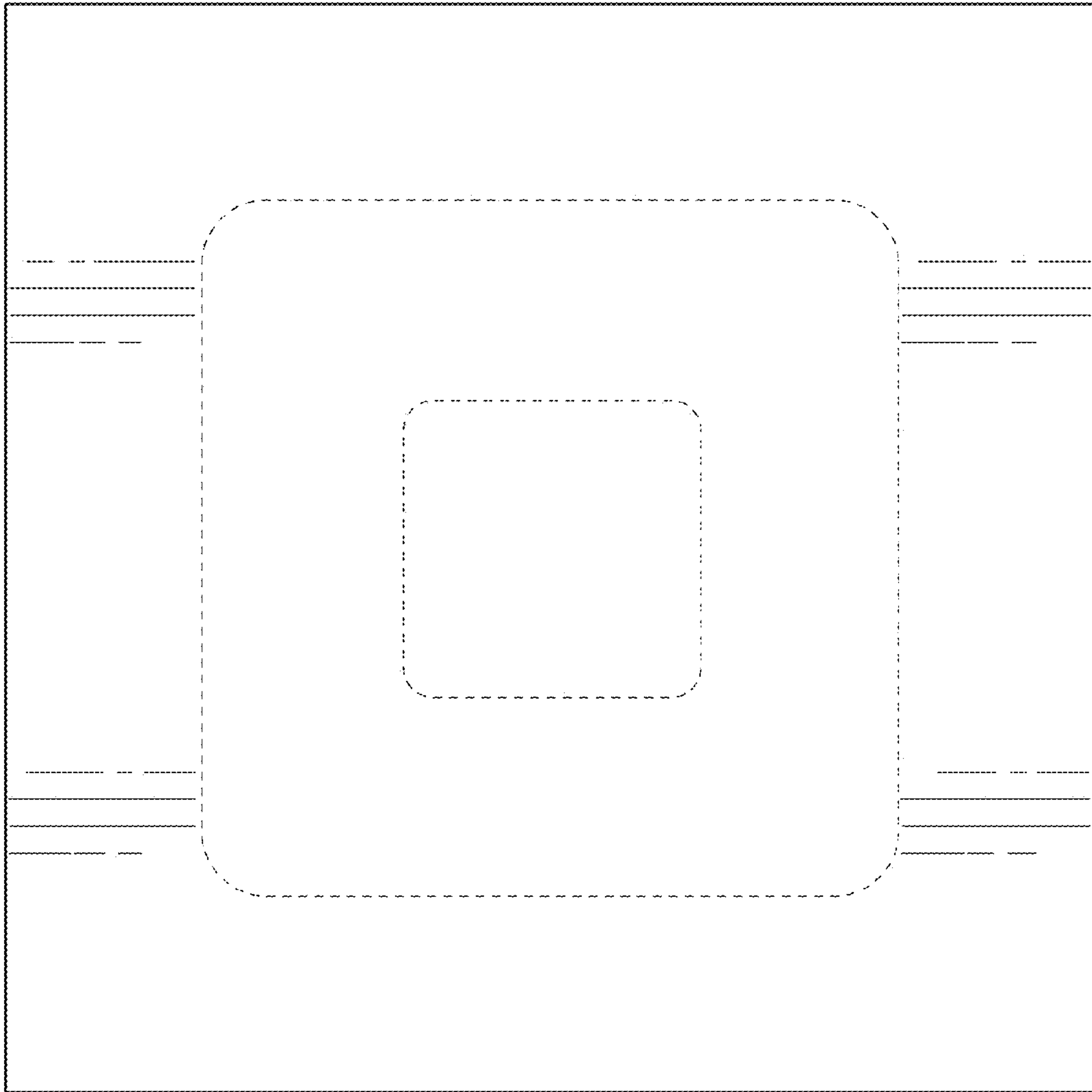


FIG. 6



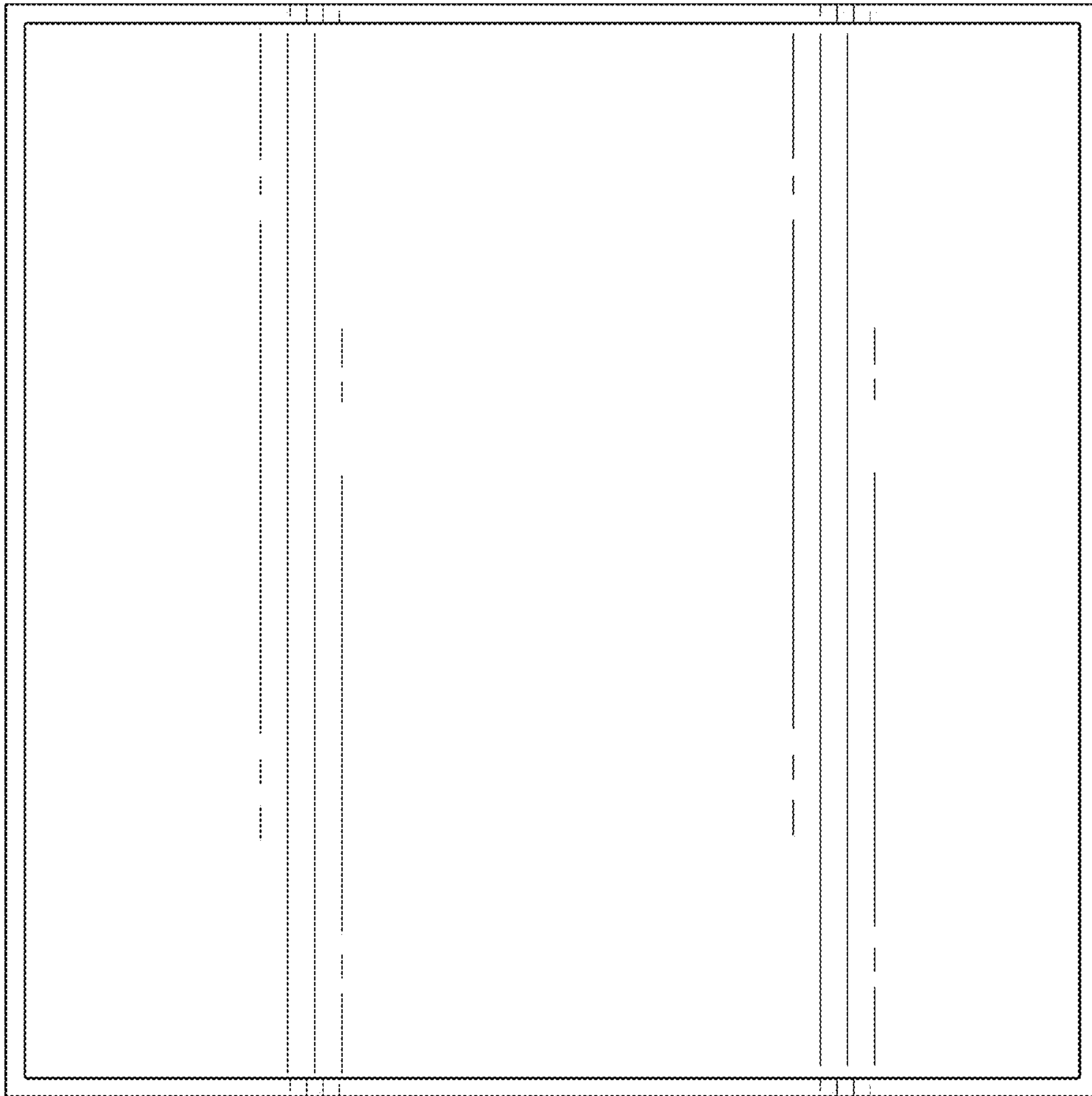


FIG. 7