



US00D766236S

(12) **United States Design Patent**
Solomon et al.

(10) **Patent No.:** **US D766,236 S**
(45) **Date of Patent:** **** Sep. 13, 2016**

(54) **CONNECTOR INTERFACE**

(71) Applicant: **Pebble Technology Corp.**, Palo Alto, CA (US)

(72) Inventors: **Mark Charles Solomon**, San Jose, CA (US); **Troy Garrett Tye**, San Jose, CA (US); **Giovanni Mata Magana**, East Palo Alto, CA (US); **Sean E. Daley**, San Jose, CA (US); **Christopher Paul Ioffreda**, San Francisco, CA (US)

(73) Assignee: **Pebble Technology, Corp.**, Redwood City, CA (US)

(**) Term: **15 Years**

(21) Appl. No.: **29/533,850**

(22) Filed: **Jul. 22, 2015**

(51) **LOC (10) Cl.** **14-02**

(52) **U.S. Cl.**
USPC **D14/344**

(58) **Field of Classification Search**
USPC D14/315–318, 341–347, 420, 426, 129, D14/130, 496, 137, 138 R, 138 AA, 138 C, D14/138 G, 147, 203.1, 203.3, 204.4, 203.7, D14/218, 248, 388, 389; D10/50, 65, 104.1; D21/329, 330; D6/308, 310
CPC .. G06F 3/0485; G06F 3/0488; G06F 1/1613; G06F 1/1624; G06F 1/1626; G06F 1/165; H04M 1/0202; H04M 1/0264; H04M 1/0214; H04M 1/0279; H04M 1/0281; H04M 1/0283; H04M 1/72544

See application file for complete search history.

(56) **References Cited**

U.S. PATENT DOCUMENTS

D269,673 S 7/1983 Johansson et al.
4,588,238 A 5/1986 Mickelson et al.
D303,044 S * 8/1989 Bressler D6/308
D398,583 S 9/1998 Sette et al.

D398,584 S 9/1998 Hirai et al.
D407,688 S 4/1999 Dague et al.
D410,627 S 6/1999 Brandt et al.
D410,927 S * 6/1999 Yamagishi D14/218
D416,229 S 11/1999 Narumo et al.
D416,230 S 11/1999 Narumo et al.
D416,539 S 11/1999 Narumo et al.
6,042,478 A * 3/2000 Ng A63F 13/02
273/148 B

(Continued)

OTHER PUBLICATIONS

dcrainmaker.com, announced Mar. 4, 2015 [online], [site visited Oct. 7, 2015]. Available from Internet, URL: <http://www.dcrainmaker.com/2015/03/announces-smartstrap-extensibility.html>.*

(Continued)

Primary Examiner — Barbara Fox

Assistant Examiner — Dana K Weiland

(74) *Attorney, Agent, or Firm* — Rutan & Tucker, LLP

(57) **CLAIM**

The ornamental design for a connector interface, as shown and described.

DESCRIPTION

This application is filed concurrently with U.S. Design application Ser. No. 29/533,825, entitled “Watch Body”, which is incorporated herein by reference in its entirety.

FIG. 1 is a plan view showing a connector interface according to our new design;

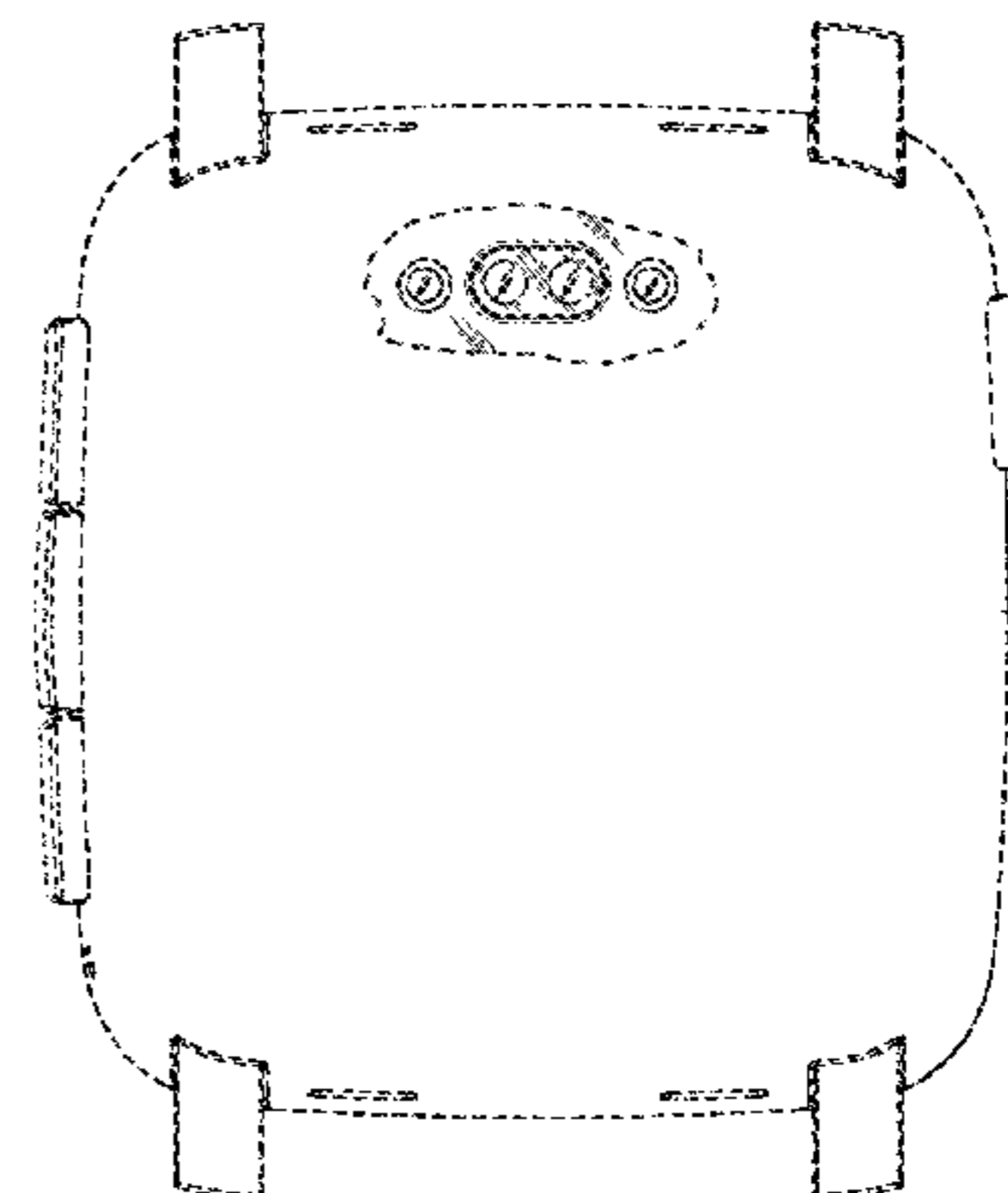
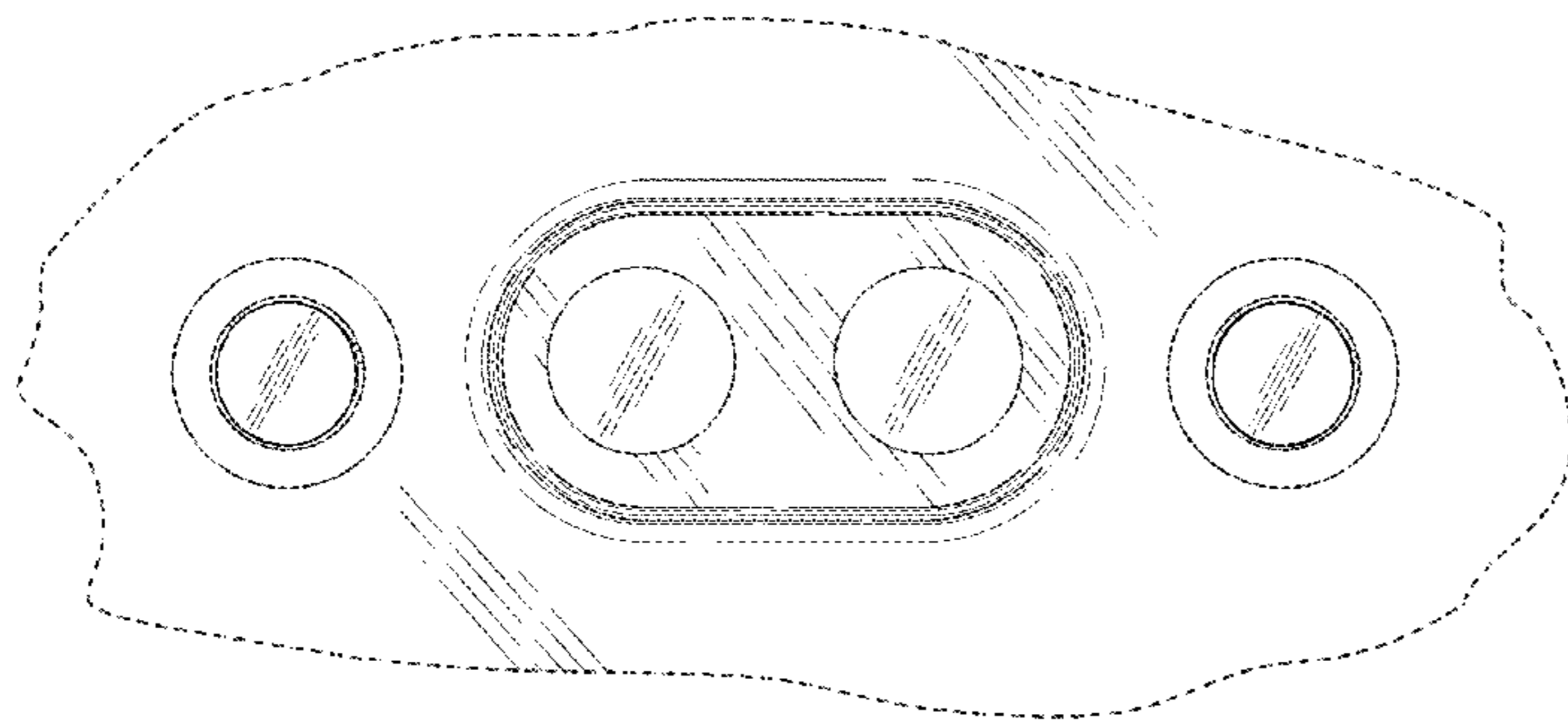
FIG. 2 is a perspective view thereof;

FIG. 3 is a plan view of the connector interface shown on a watch body; and,

FIG. 4 is a perspective view thereof.

The broken line showing in FIGS. 1-4 immediately adjacent shading forms a boundary of the claimed design. The watch body is shown in broken lines in FIGS. 3-4 for environmental purposes only and forms no part of the claimed design.

1 Claim, 2 Drawing Sheets



(56)

References Cited

U.S. PATENT DOCUMENTS

D427,177 S * 6/2000 Yamazaki D14/192
 D436,083 S * 1/2001 Kishita D13/168
 D469,406 S 1/2003 Kato et al.
 D470,112 S 2/2003 Kato et al.
 6,522,529 B1 * 2/2003 Huilgol G06F 1/1616
 248/919
 D471,871 S 3/2003 Fetherolf
 D476,972 S * 7/2003 Cohen D14/217
 D490,421 S * 5/2004 Everett D14/342
 D499,395 S * 12/2004 Hsu D14/218
 D515,036 S * 2/2006 Liang D13/147
 D519,081 S 4/2006 Katoh
 D520,955 S 5/2006 Huang
 D525,940 S 8/2006 Zhang et al.
 D526,277 S 8/2006 Wu
 D526,619 S 8/2006 Tsai
 D531,586 S * 11/2006 Poulet D13/168
 D531,963 S * 11/2006 Tajima D13/168
 D539,354 S * 3/2007 Mak D21/329
 D551,230 S * 9/2007 Lau D14/401
 D558,679 S 1/2008 Chen et al.
 D558,680 S 1/2008 Chen et al.
 D562,778 S * 2/2008 Bonnaud D13/168
 D574,019 S * 7/2008 Amit D15/9
 D584,739 S * 1/2009 Ahlgren D14/496
 D585,876 S * 2/2009 Griffin D14/218
 D590,390 S * 4/2009 Musgrave D14/352
 D606,982 S * 12/2009 Kaneko D14/218
 D609,670 S * 2/2010 Finney D14/138 AC
 D618,217 S * 6/2010 Harden D14/218
 D623,143 S 9/2010 Amidon
 D623,144 S 9/2010 Amidon
 D623,145 S 9/2010 Amidon et al.
 D623,146 S 9/2010 Amidon et al.
 D623,602 S 9/2010 Amidon
 D635,931 S 4/2011 Amidon
 D635,933 S 4/2011 Amidon
 D644,630 S * 9/2011 Harden D14/218
 D644,994 S 9/2011 Amidon
 D644,995 S 9/2011 Amidon
 D648,327 S * 11/2011 Maier D14/218

D666,660 S * 9/2012 Amit D16/203
 D668,614 S 10/2012 Amidon
 D691,091 S 10/2013 Dachs
 D693,332 S * 11/2013 Lee D13/168
 D695,716 S * 12/2013 Cleo D14/218
 D703,188 S * 4/2014 Maier D14/218
 D703,612 S 4/2014 Dachs
 D714,761 S * 10/2014 O'Neil D14/218
 D722,046 S * 2/2015 Kuh D14/218
 D724,568 S * 3/2015 Peh D14/218
 D725,633 S * 3/2015 Sung D14/218
 D729,774 S * 5/2015 Uchiyama D14/218
 D730,942 S * 6/2015 Wong D14/203.1
 D733,100 S * 6/2015 Kim D14/218
 D735,165 S * 7/2015 Wong D14/218
 D743,278 S 11/2015 Solomon et al.
 2003/0141370 A1 * 7/2003 Hamilton G06F 1/1616
 235/462.45
 2005/0068756 A1 * 3/2005 Tsuji G06F 1/1613
 361/797
 2005/0221867 A1 * 10/2005 Zurek H04M 1/03
 455/569.1
 2007/0099700 A1 * 5/2007 Solomon G07F 17/3211
 463/34
 2008/0204978 A1 * 8/2008 Haspil H04M 1/6041
 361/601
 2015/0150436 A1 * 6/2015 Cornhill A61B 1/00082
 600/104

OTHER PUBLICATIONS

engadget.com, announced Mar. 19, 2015 [online], [site visted Oct. 7, 2015]. Available from Internet, URL: <<http://www.engadget.com/2015/03/19/pebble-smart-straps/>>.*
 yahoo.com, announced May 27, 2015 [online], [site visited Oct. 7, 2015]. Available from Internet, URL: <<https://www.yahoo.com/tech/the-sensational-pebble-time-smartwatch-too-bad-120033858169.html>>.*
 theunwired.net, announced Mar. 3, 2015 [online], [site visited Oct. 7, 2015]. Available from Internet, URL: <mwc-live-pebble-announced-the-pebble-time-steel-and-a-new-ecosystem-for-accessories>.*

* cited by examiner

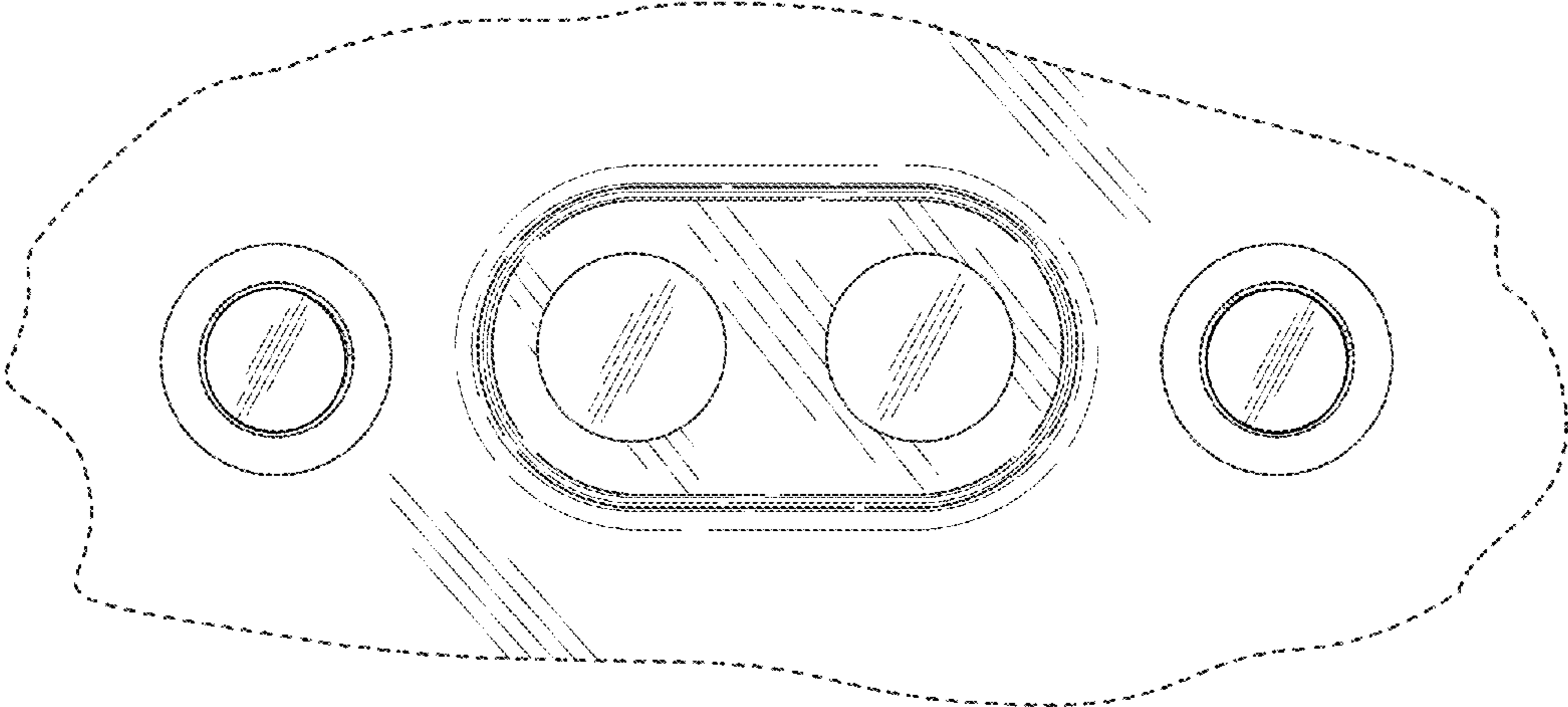


FIG. 1

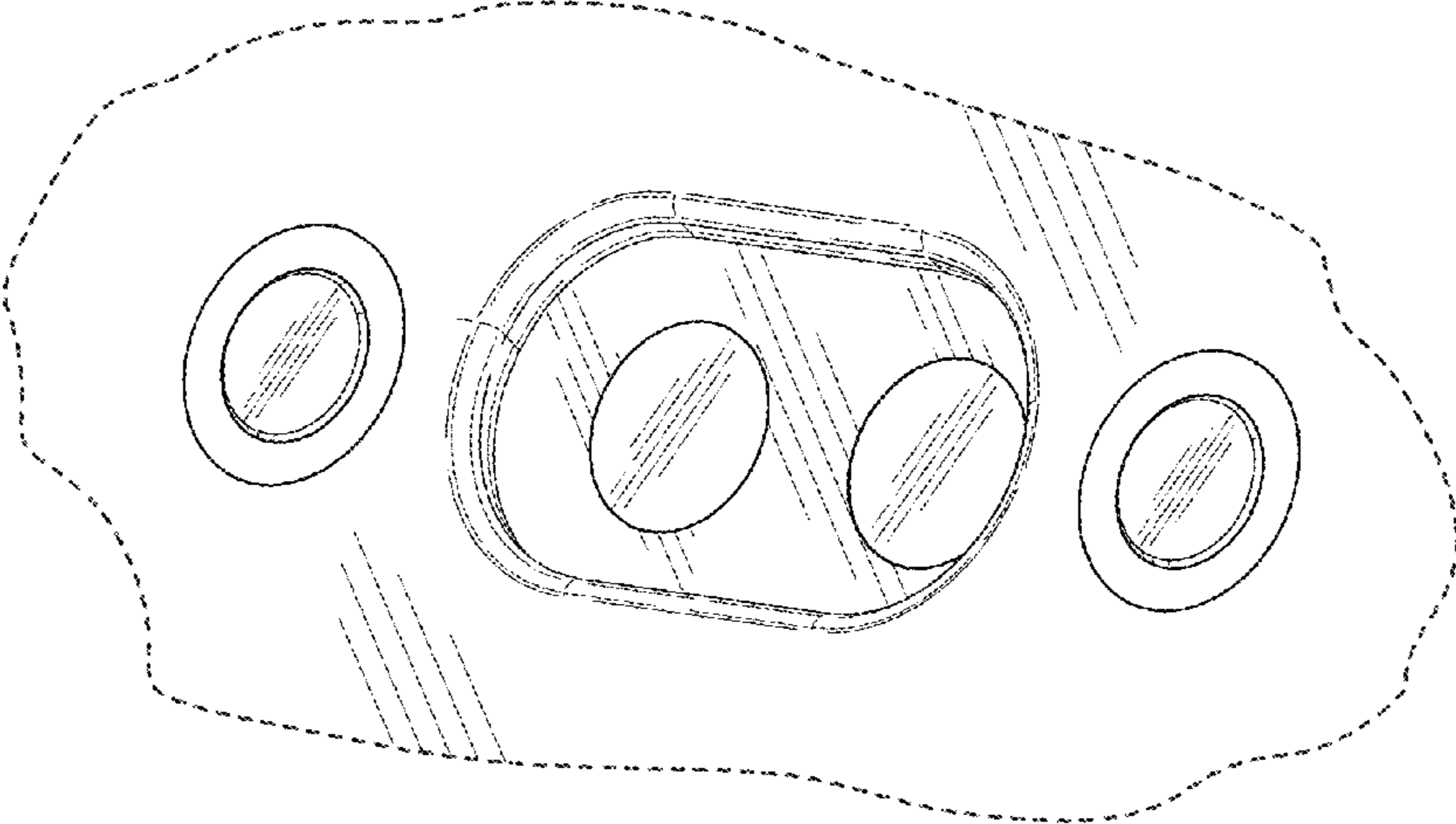


FIG. 2

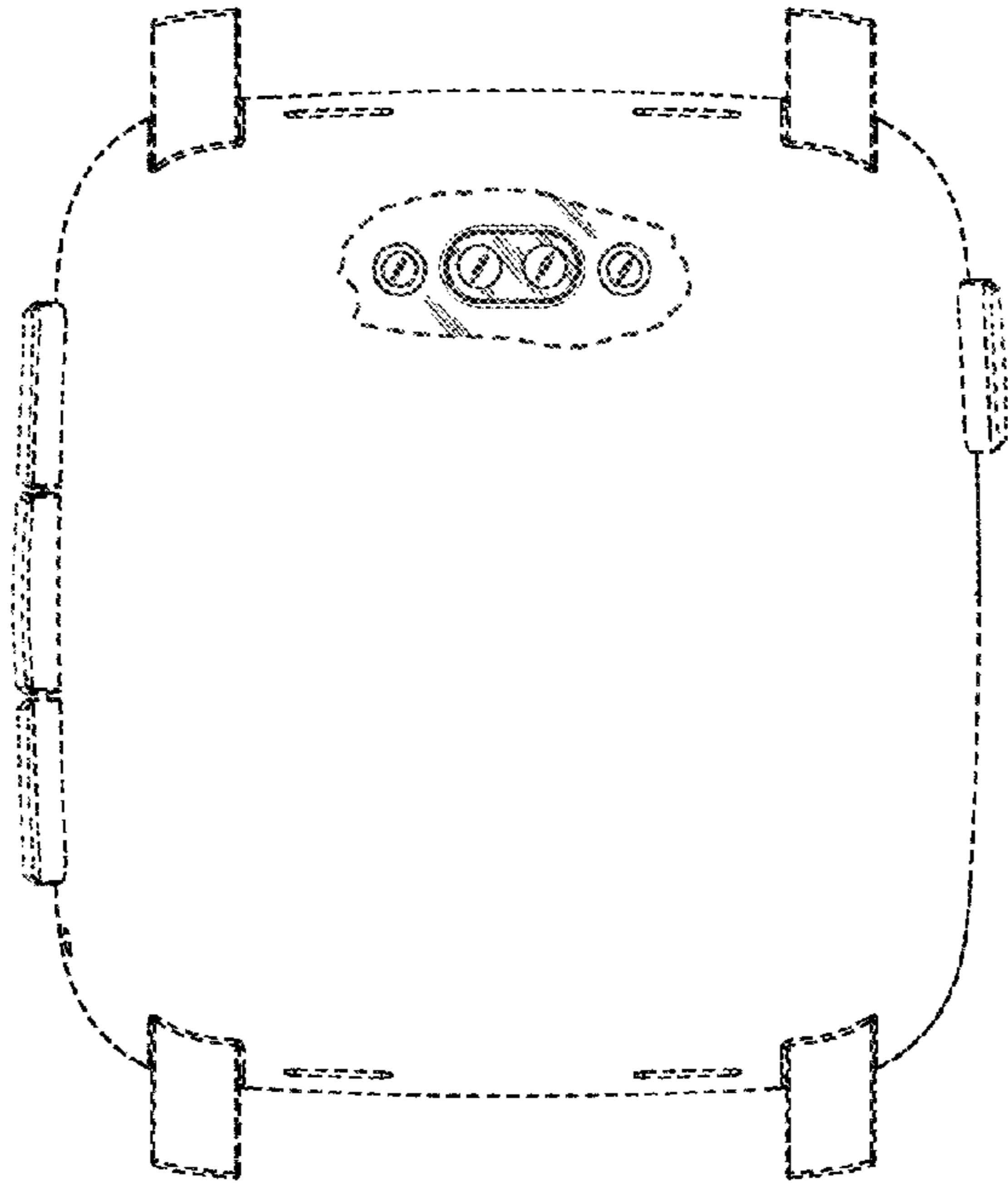


FIG. 3

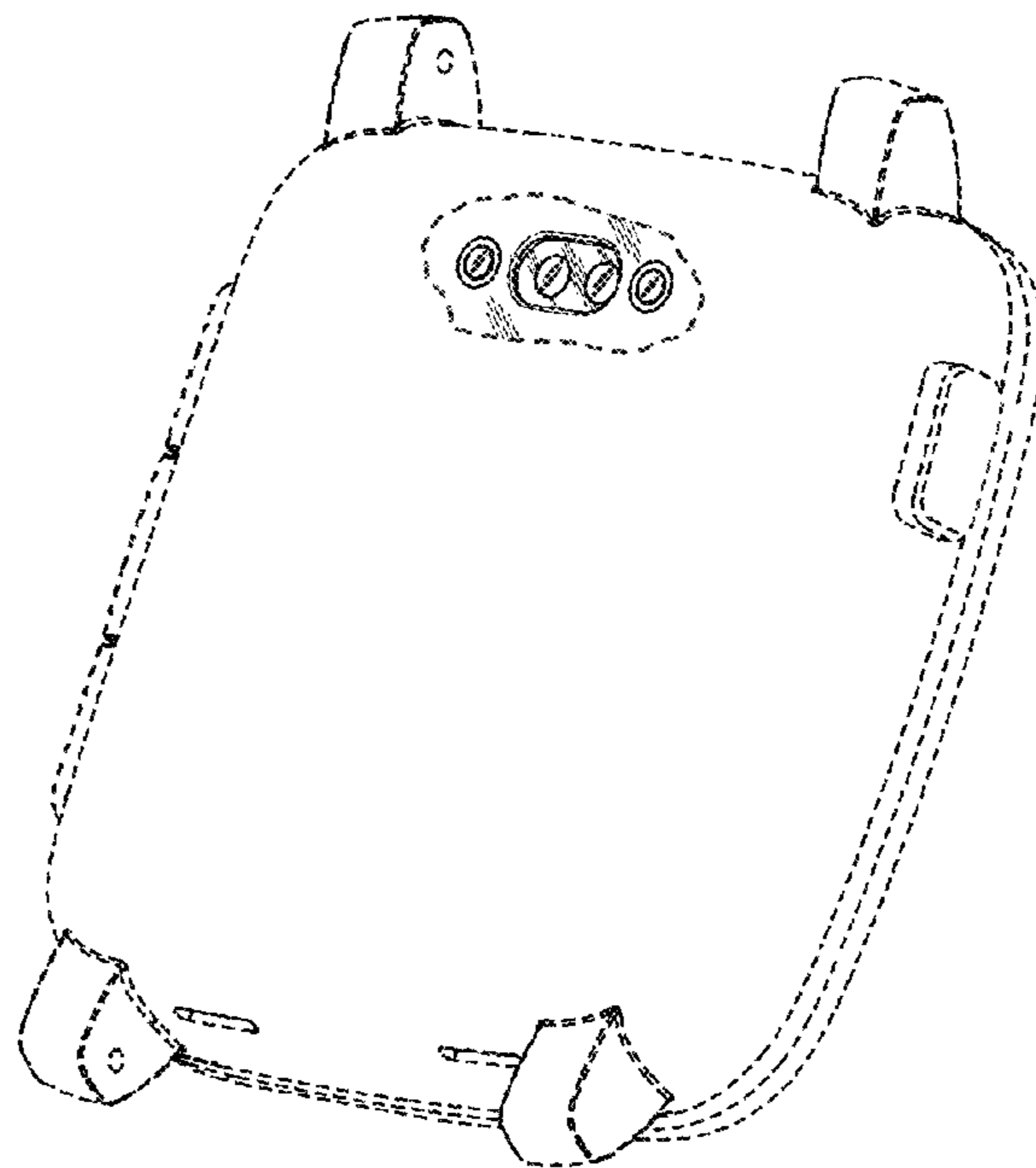


FIG. 4