



US00D766232S

(12) **United States Design Patent** (10) **Patent No.:** **US D766,232 S**
Suzuki et al. (45) **Date of Patent:** **** Sep. 13, 2016**

(54) **PORTABLE COMPUTER**

(71) Applicant: **Panasonic Intellectual Property Management Co., Ltd.**, Osaka (JP)
(72) Inventors: **So Suzuki**, Osaka (JP); **Katsuhiro Kitade**, Osaka (JP); **Takashi Tsukahara**, Osaka (JP)
(73) Assignee: **Panasonic Intellectual Property Management Co., Ltd.**, Osaka (JP)

(**) Term: **14 Years**

(21) Appl. No.: **29/523,915**

(22) Filed: **Apr. 15, 2015**

(30) **Foreign Application Priority Data**

Oct. 20, 2014 (JP) 2014-023411

(51) **LOC (10) Cl.** **14-02**

(52) **U.S. Cl.**
USPC **D14/315**

(58) **Field of Classification Search**

USPC D14/315-327; D18/1, 2, 7, 11;
235/145 A, 145 R; 341/22, 23; 345/104,
345/156, 168, 169, 173; 361/679.08,
361/679.09, 679.11, 679.26, 679.27
CPC G06F 1/16; G06F 1/1616; G06F 1/1626;
G06F 1/1632; G06F 1/1613; G06F 1/1601;
G06F 1/1618; G06F 1/162; G06F 1/166;
G06F 1/1654; G06F 1/1681; G06F 1/1637;
G06F 1/1688; G06F 1/1656; H01R 35/02;
H03M 11/00; G09B 13/04; H03K 17/94;
G09G 5/00; F16M 11/10; H05K 5/00;
H04M 1/0237

See application file for complete search history.

(56) **References Cited**

U.S. PATENT DOCUMENTS

D673,558 S * 1/2013 Cruz D14/315
D698,349 S * 1/2014 Sun D14/315
2007/0097087 A1 * 5/2007 Homer G06F 1/1626
345/173

Primary Examiner — Freda S Nunn

(74) *Attorney, Agent, or Firm* — Panasonic IP Management; Kerry S. Culpepper

(57) **CLAIM**

We claim the ornamental design for a portable computer, as shown and described.

DESCRIPTION

FIG. 1 is a front perspective view of a portable computer of the present invention;
FIG. 2 is a rear perspective view thereof;
FIG. 3 is a front view thereof;
FIG. 4 is a rear view thereof;
FIG. 5 is a first side view thereof;
FIG. 6 is a second side view thereof;
FIG. 7 is a top view thereof;
FIG. 8 is a bottom view thereof;
FIG. 9 is a cross-sectional view of a side thereof taken along line 9-9 in FIG. 3;
FIG. 10 is a front perspective view thereof shown in a closed position;
FIG. 11 is a rear perspective view thereof shown in a closed position;
FIG. 12 is a front view thereof shown in a closed position;
FIG. 13 is a rear view thereof shown in a closed position;
FIG. 14 is a first side view thereof shown in a closed position;
FIG. 15 is a second side view thereof shown in a closed position;
FIG. 16 is a top view thereof shown in a closed position;
FIG. 17 is a bottom view thereof shown in a closed position;
FIG. 18 is a cross-sectional view of a side thereof taken along line 18-18 in FIG. 12;
FIG. 19 is an exploded front perspective view; and,
FIG. 20 is an exploded rear perspective view.
The broken lines shown in the figures represent environment only and form no part of the claimed design.

1 Claim, 20 Drawing Sheets

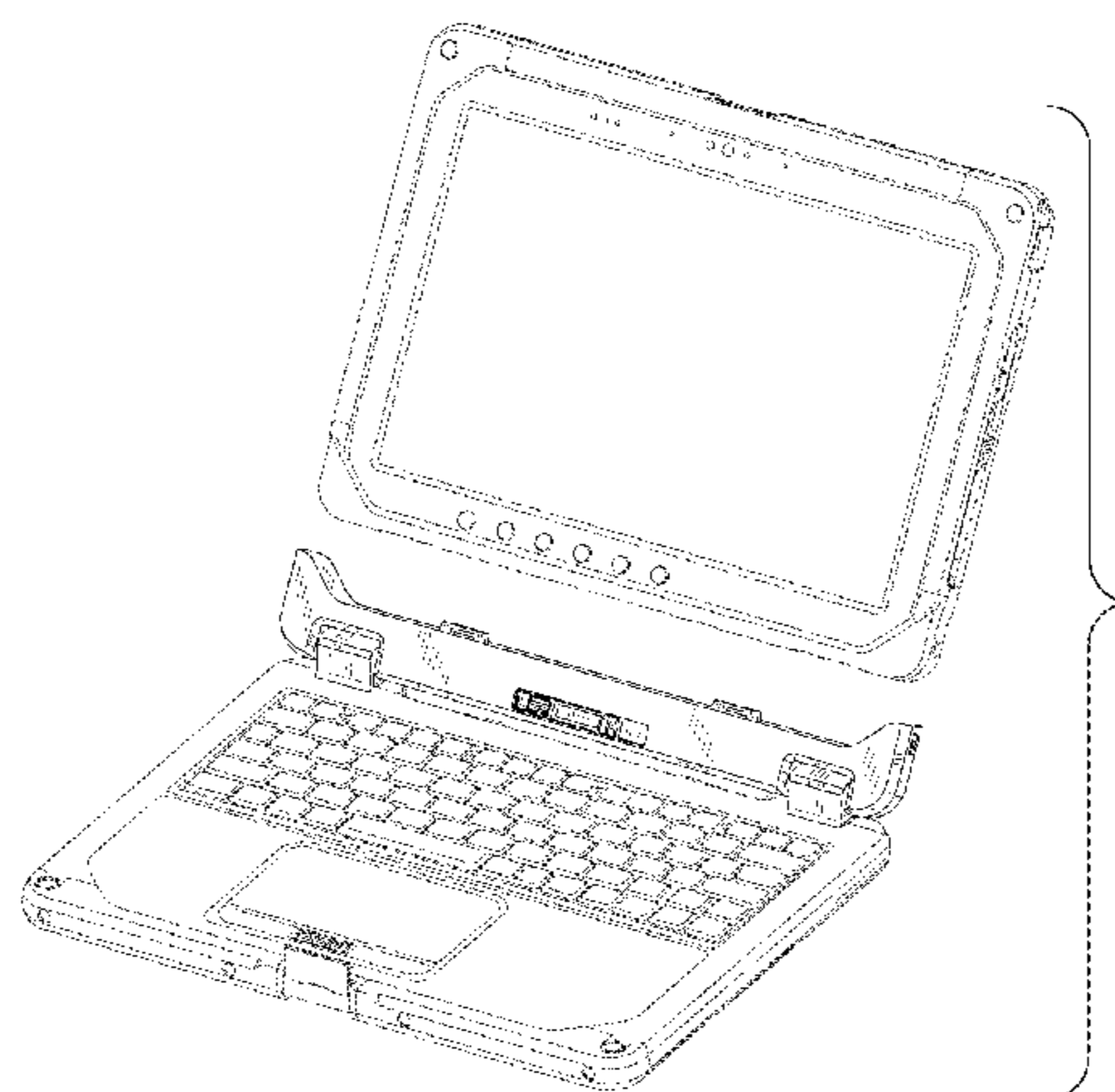


FIG. 1

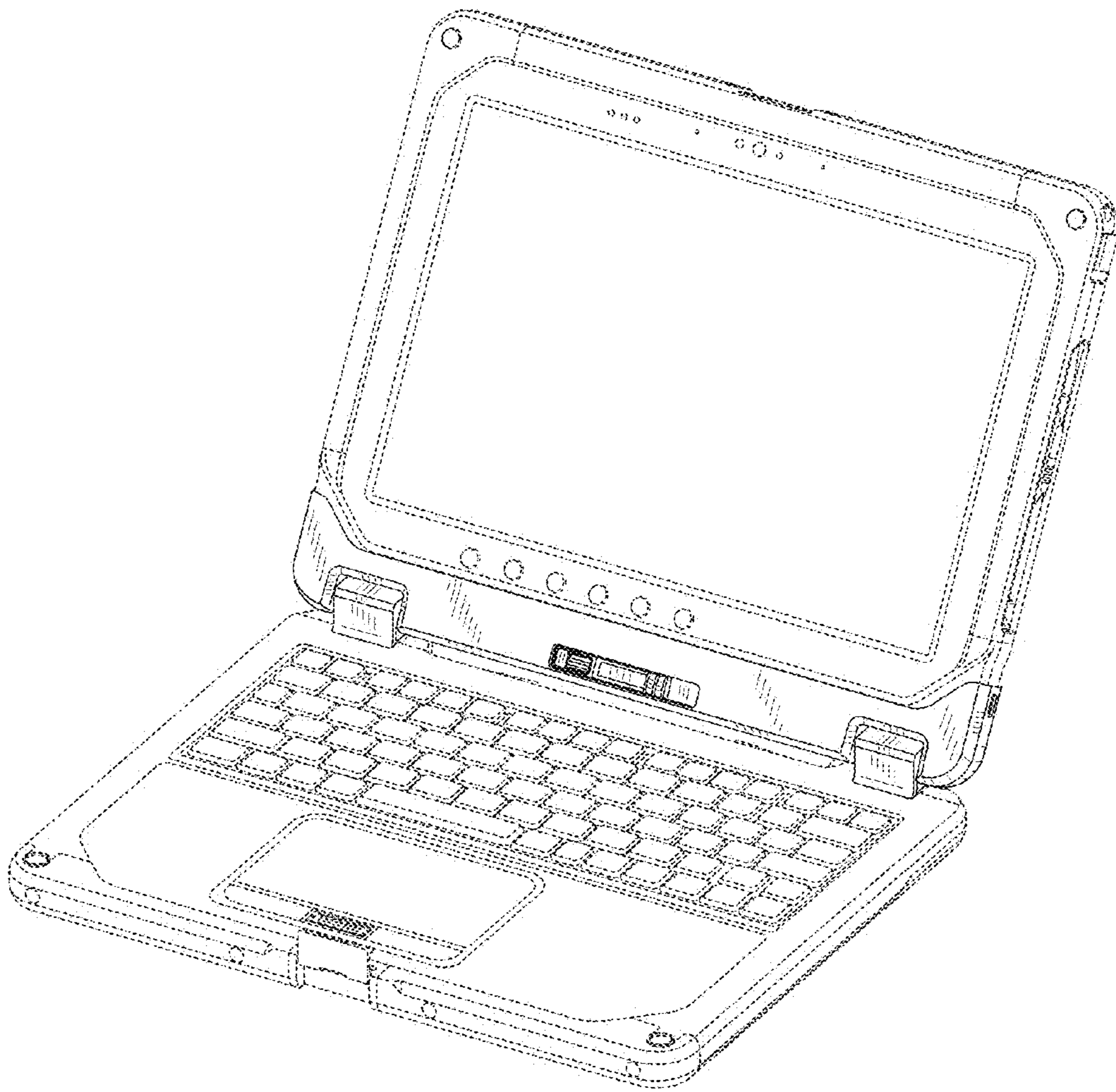


FIG. 2

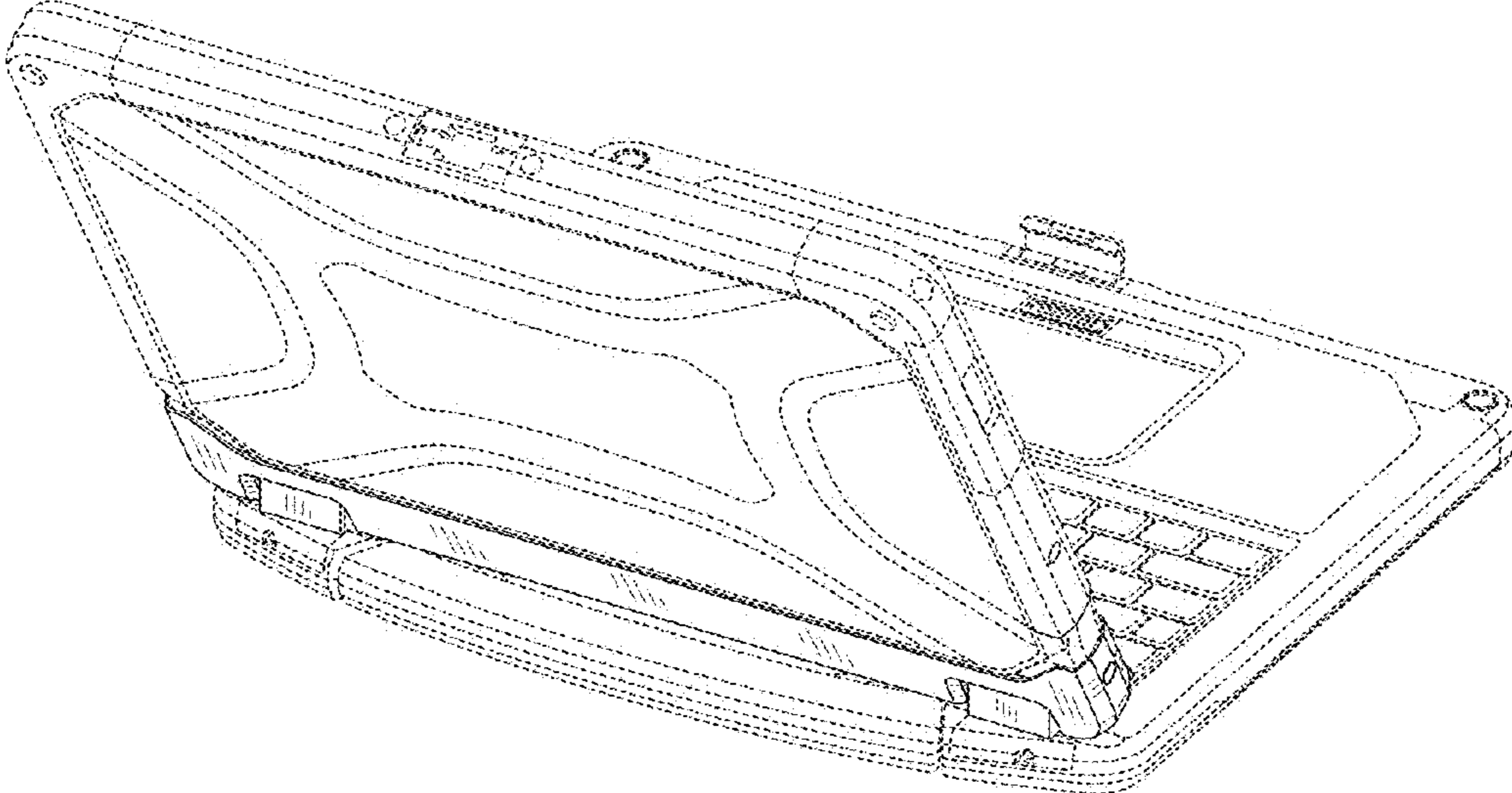


FIG. 3

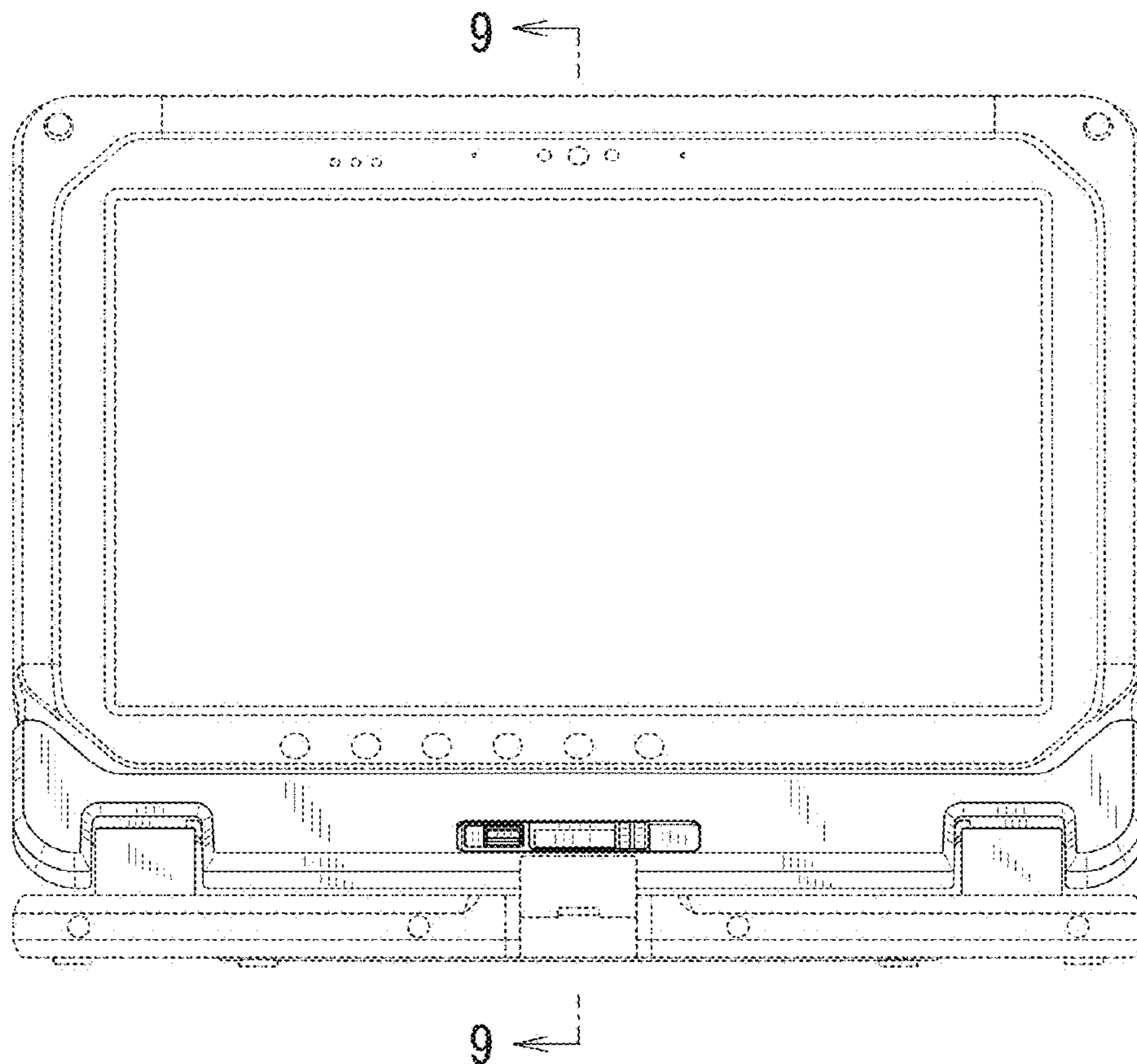


FIG. 4

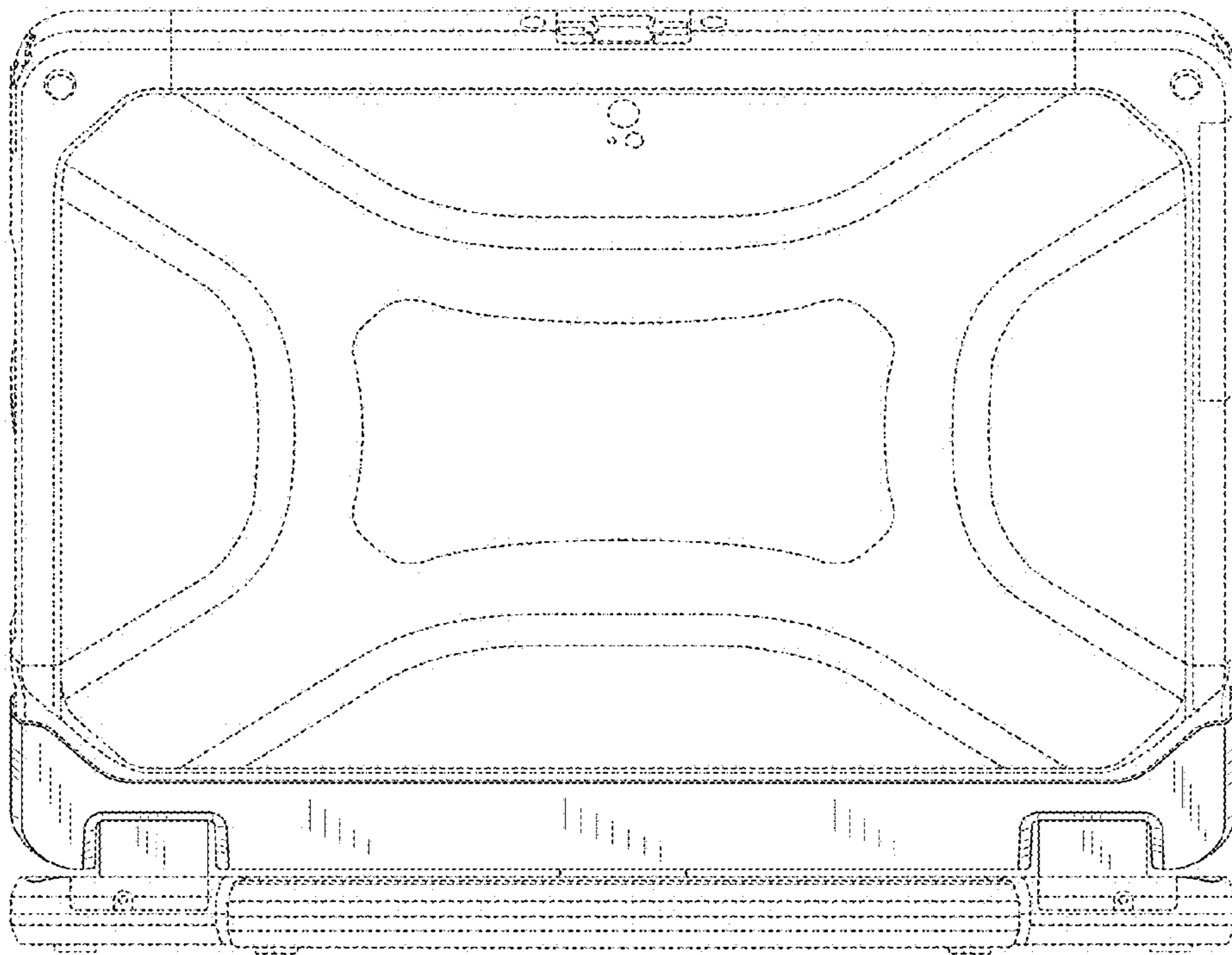


FIG. 5

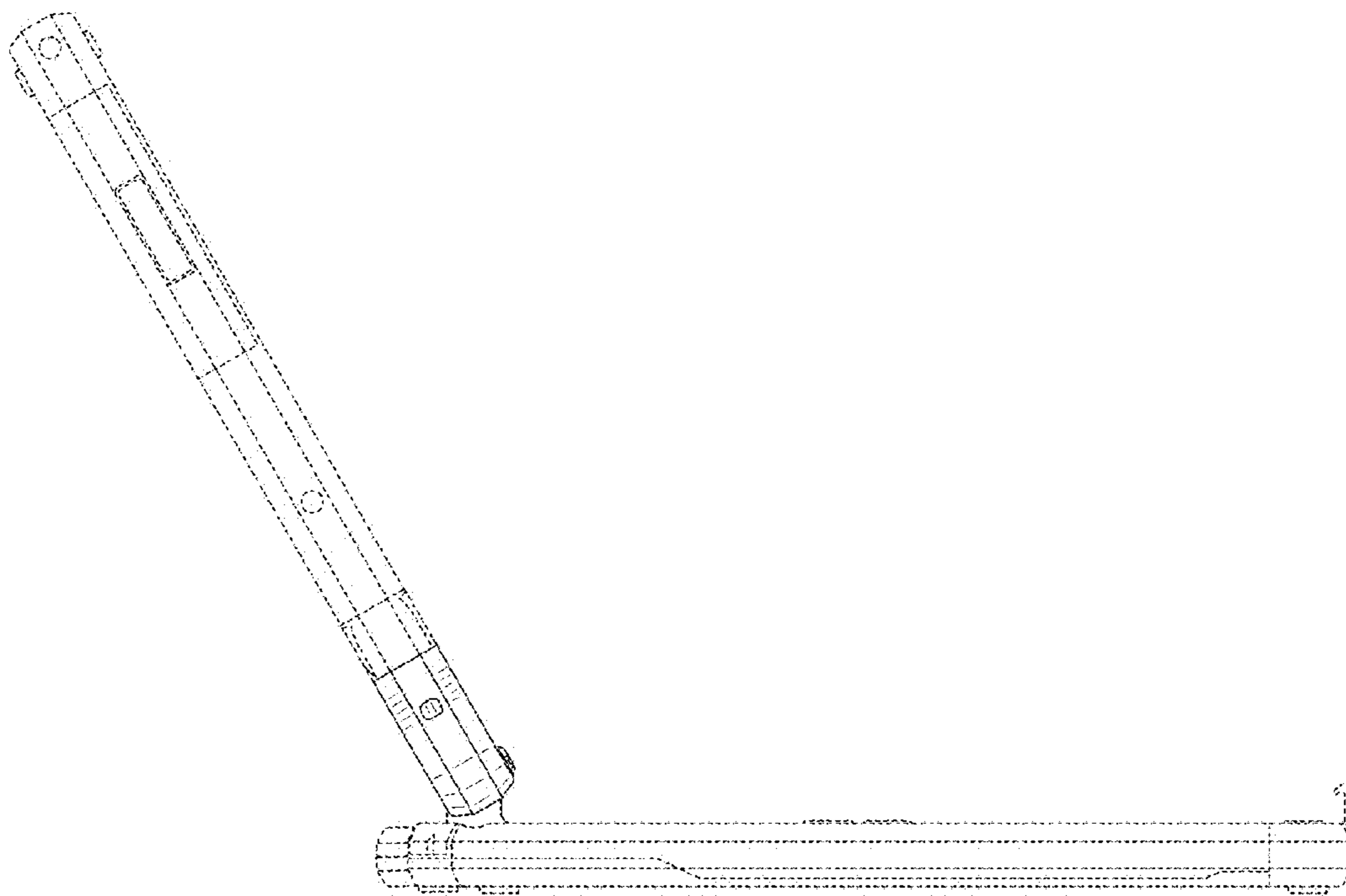


FIG. 6

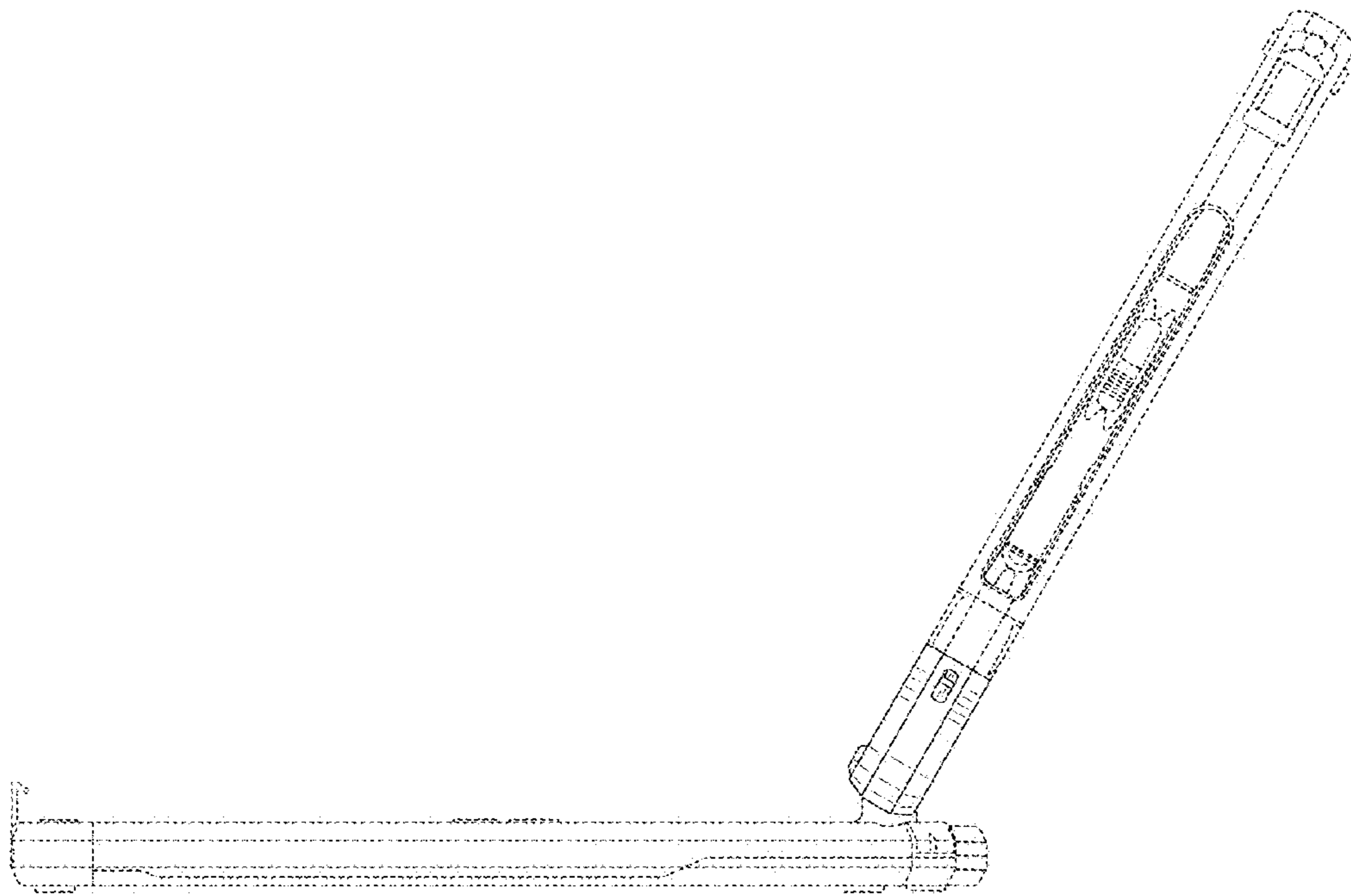


FIG. 7

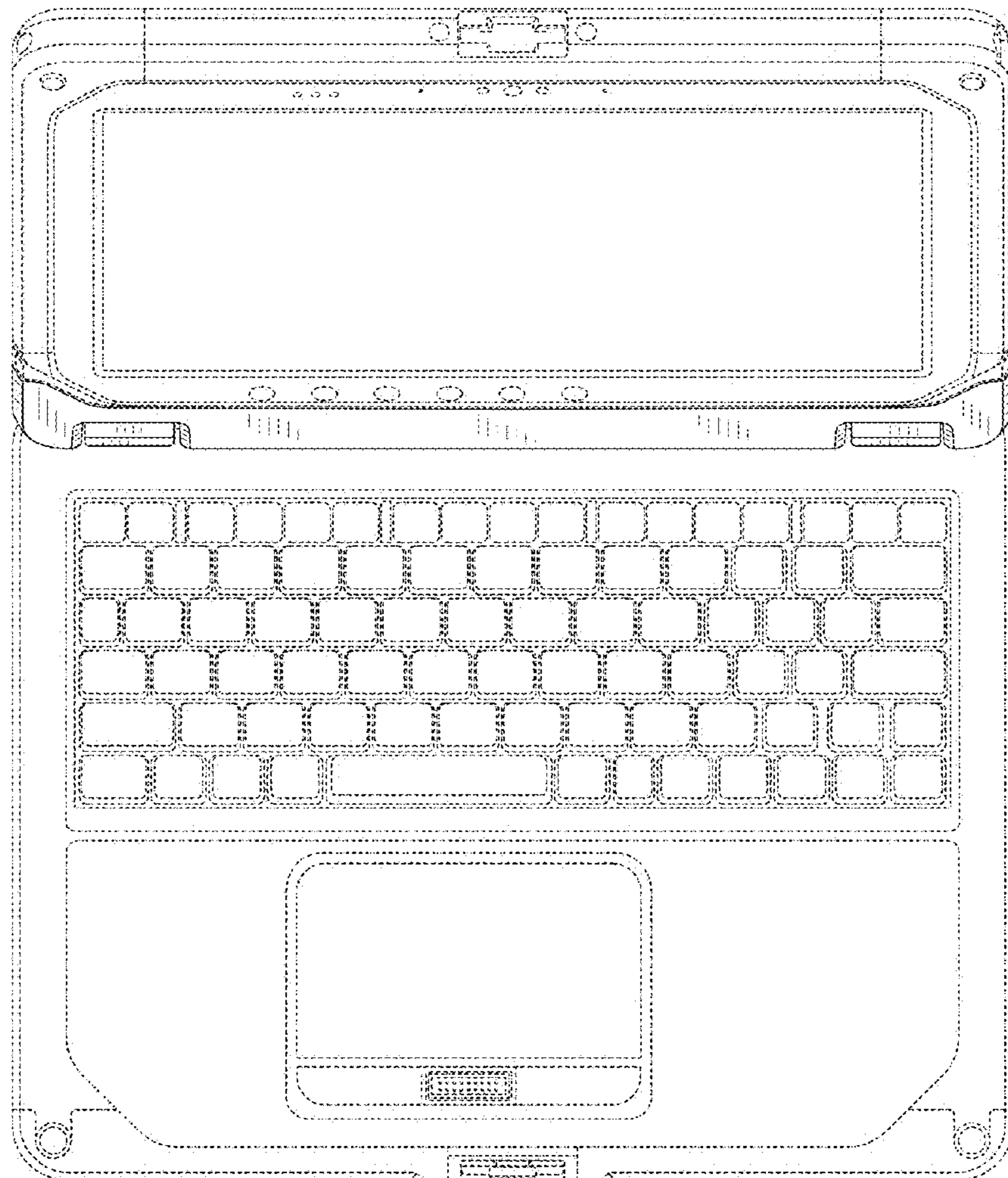


FIG. 8

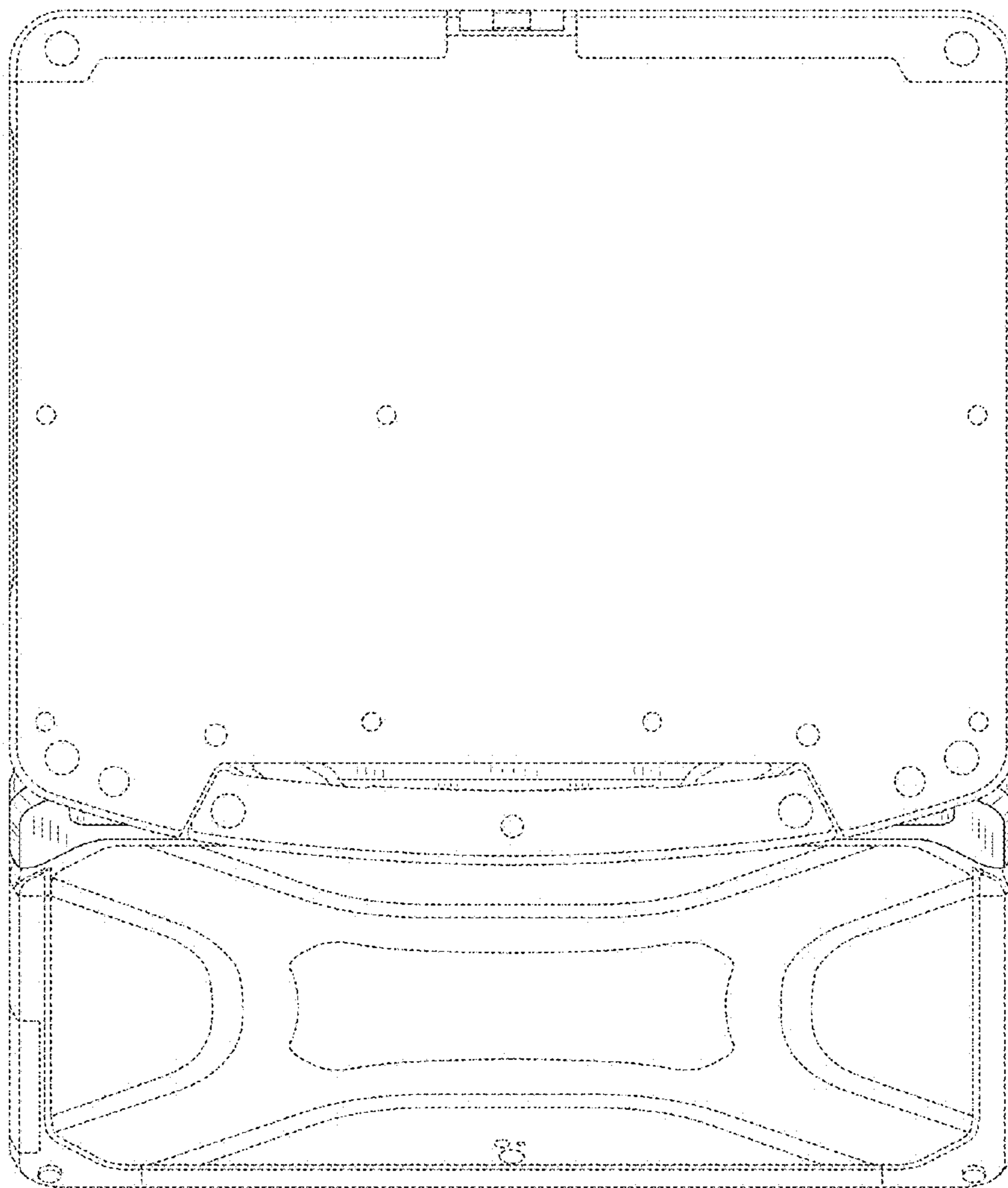


FIG. 9

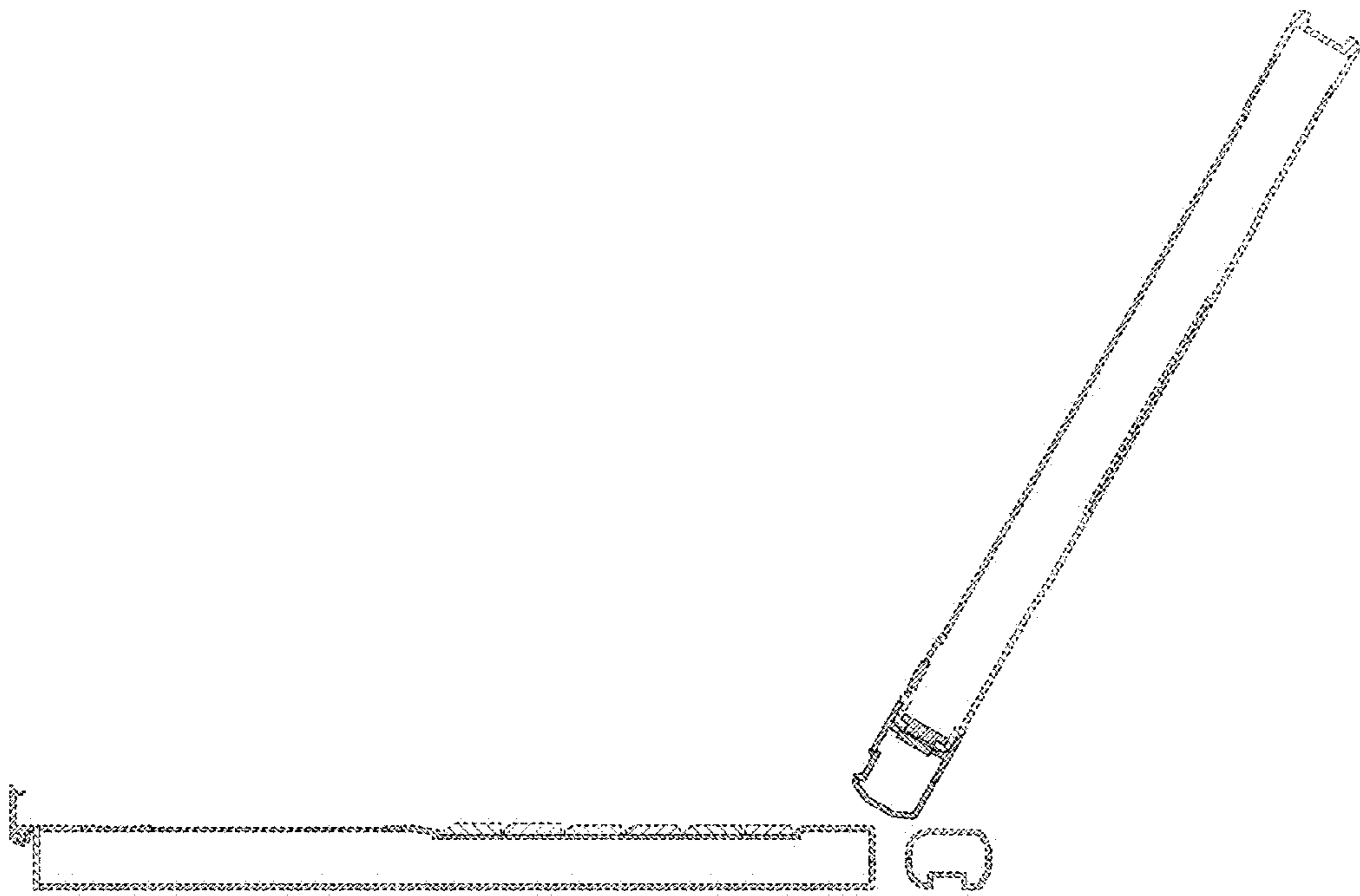


FIG. 10

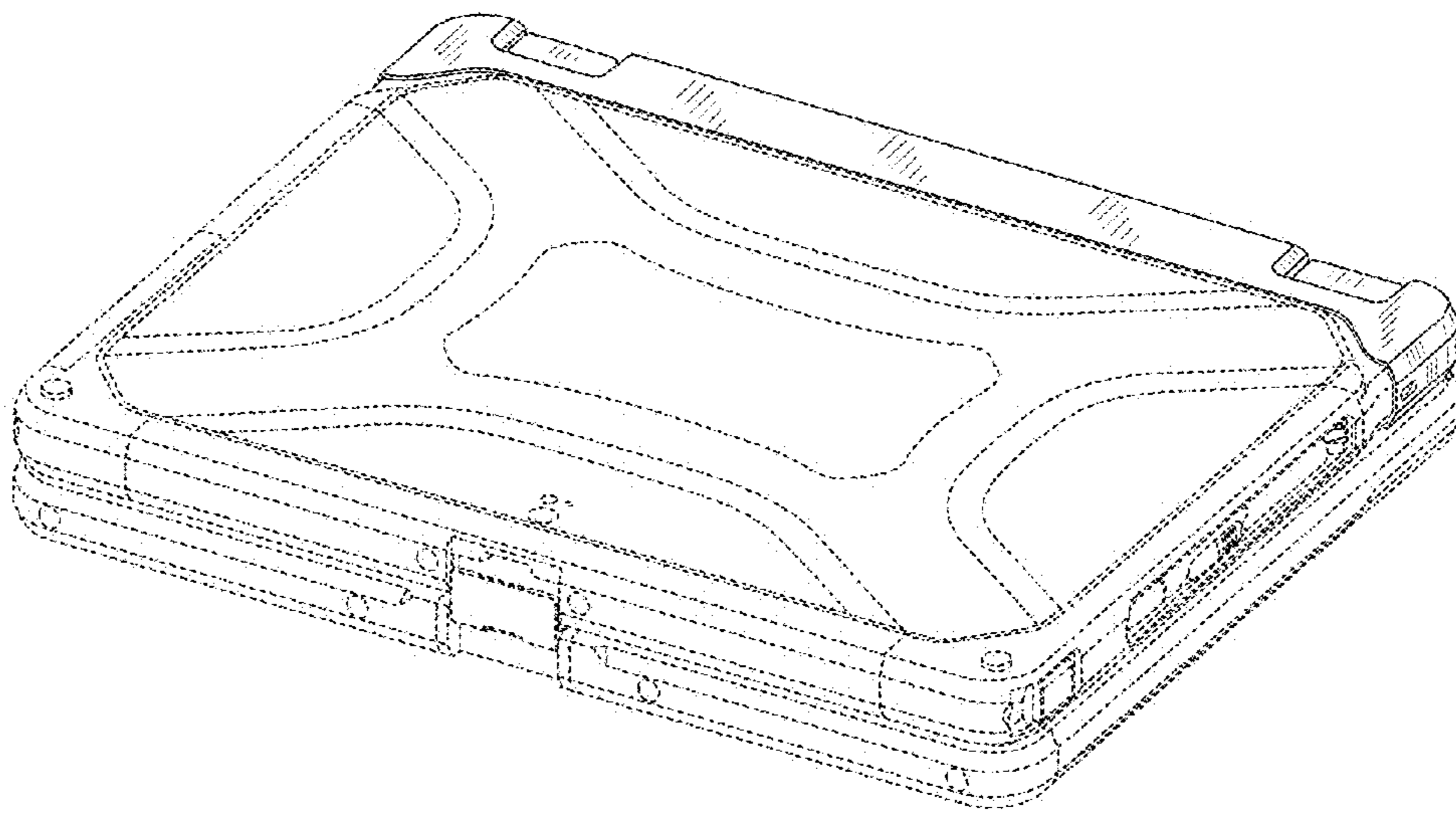


FIG. 11

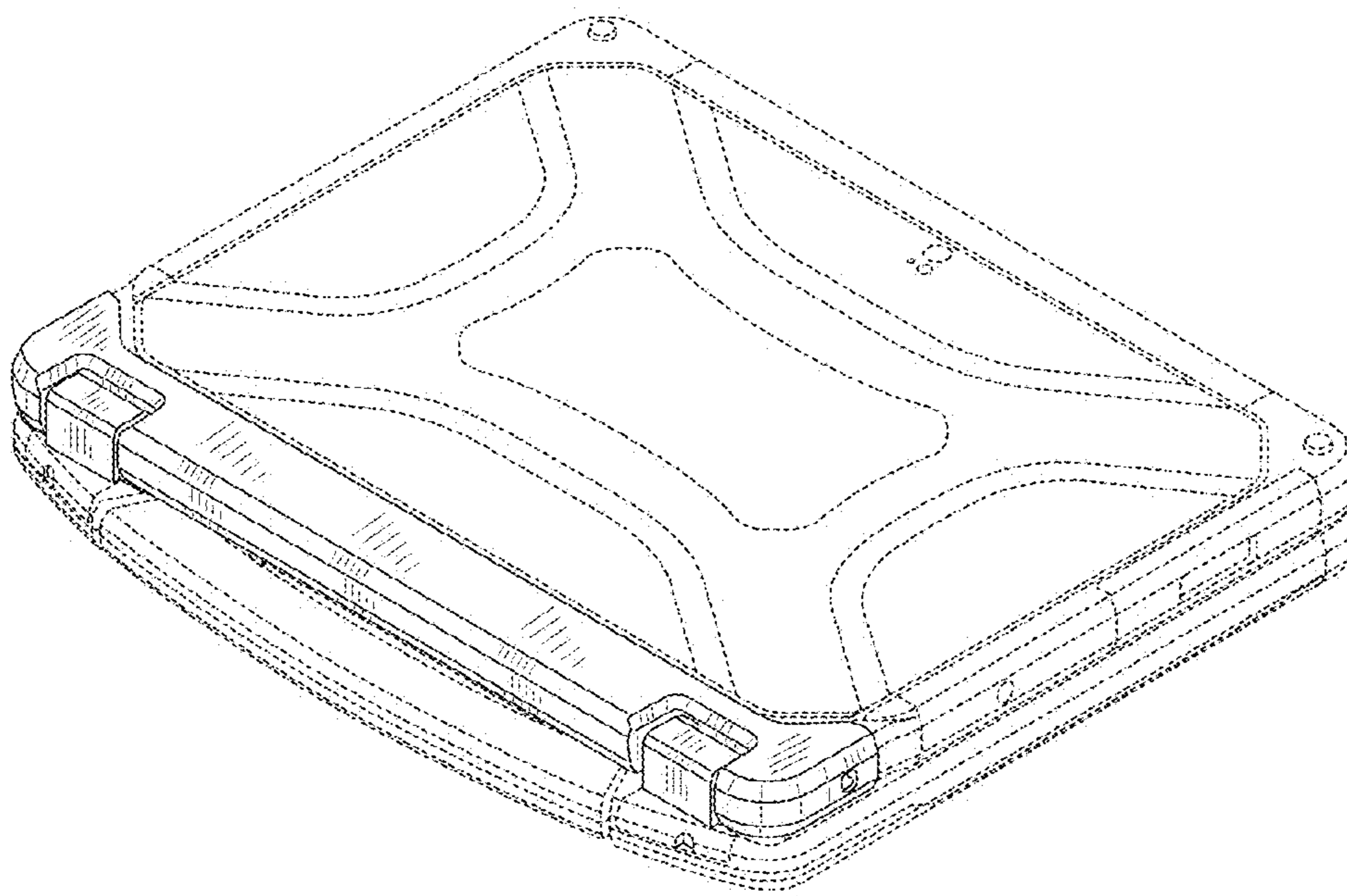


FIG. 12

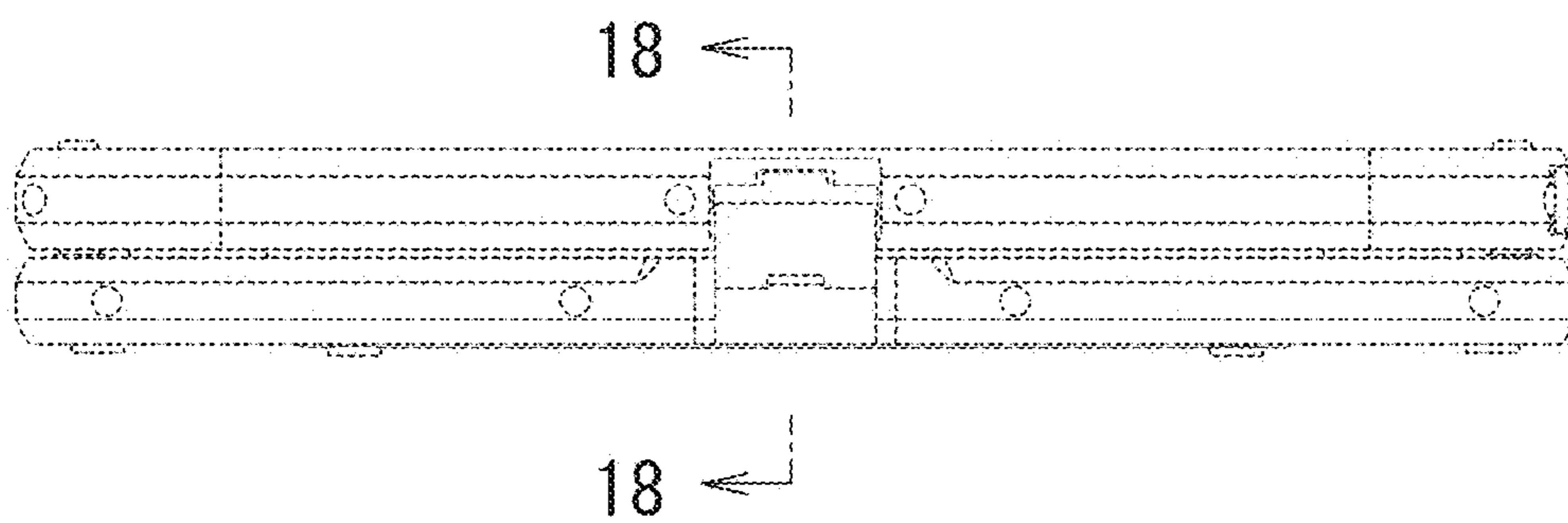


FIG. 13

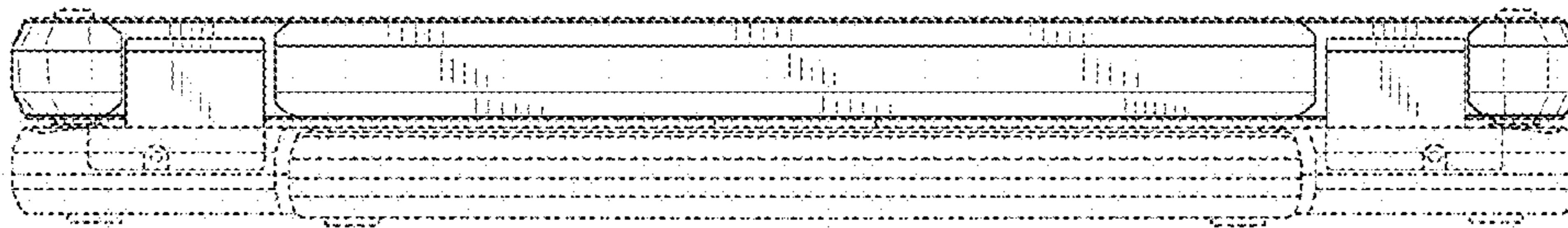


FIG. 14

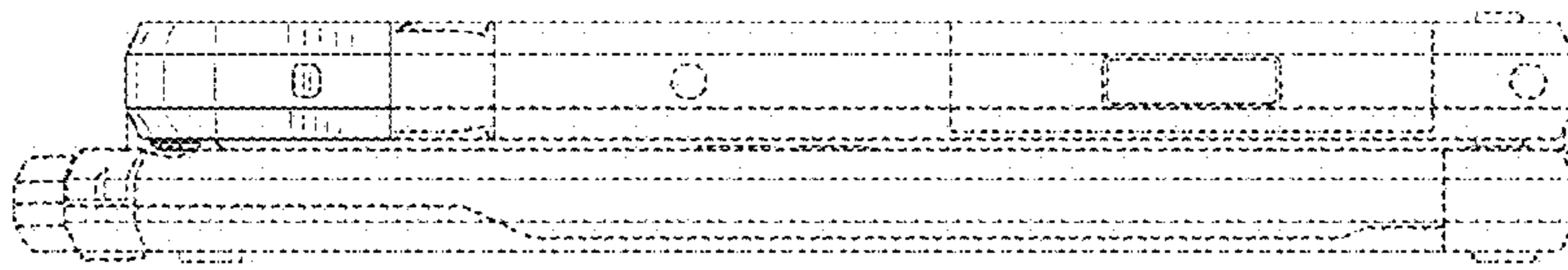


FIG. 15

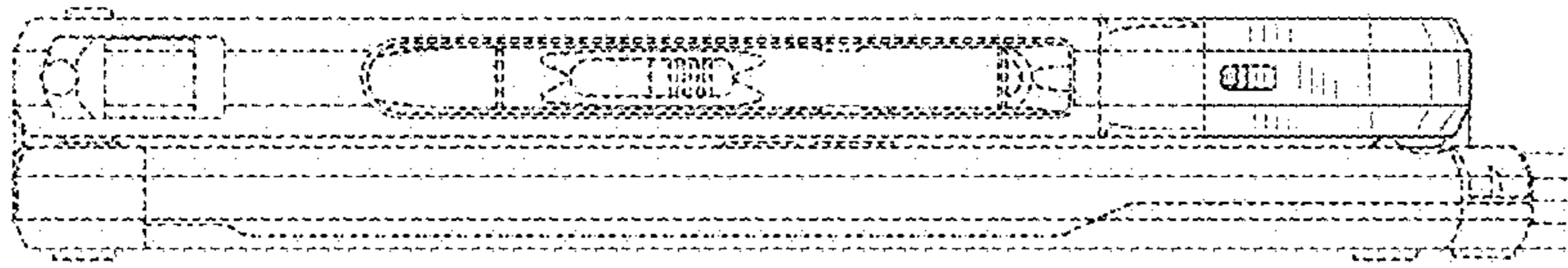


FIG. 16

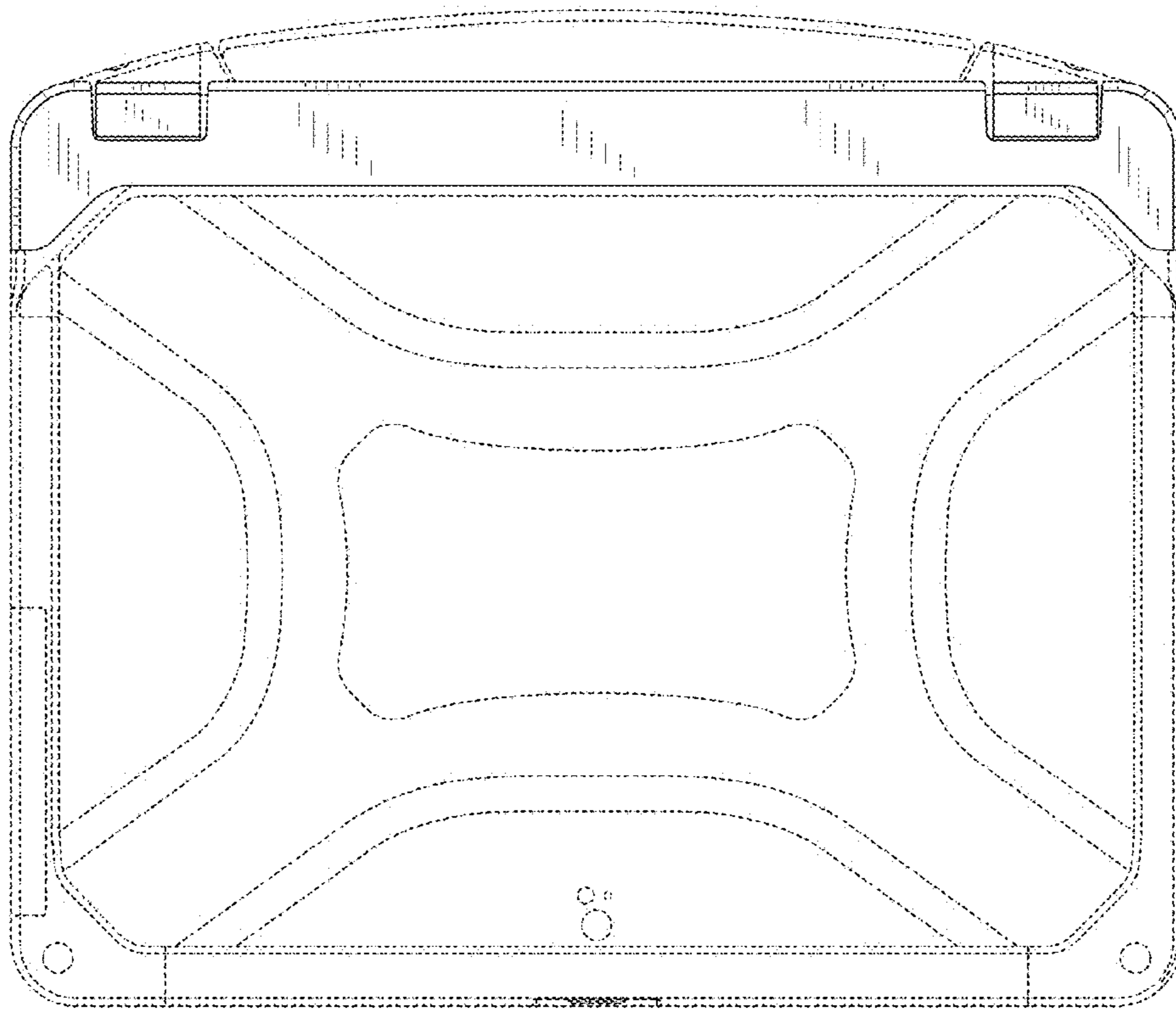


FIG. 17

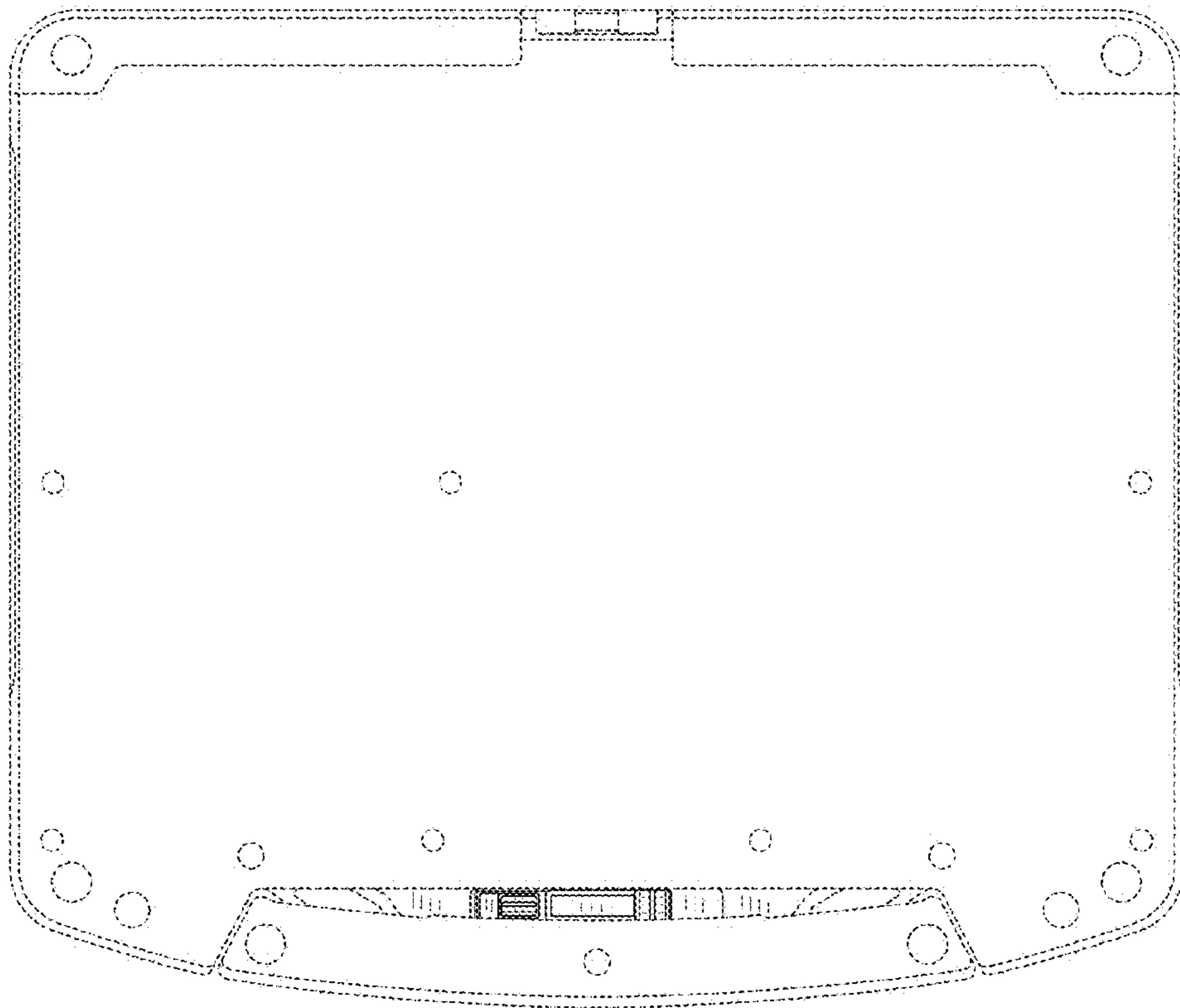


FIG. 18

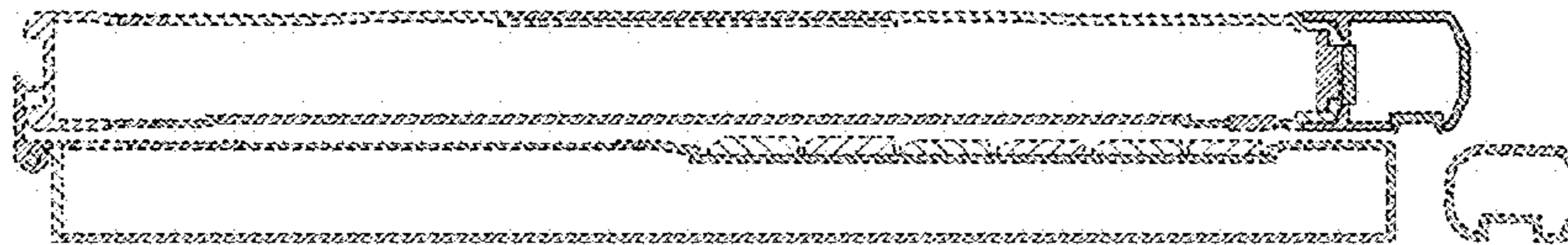


FIG. 19



FIG. 20

