

US00D766230S

(12) **United States Design Patent**
Shepard

(10) **Patent No.:** **US D766,230 S**

(45) **Date of Patent:** **** Sep. 13, 2016**

(54) **TELESCOPING HANDLE**

(71) Applicant: **Michael Shepard**, Santa Barbara, CA
(US)

(72) Inventor: **Michael Shepard**, Santa Barbara, CA
(US)

(**) Term: **14 Years**

(21) Appl. No.: **29/520,062**

(22) Filed: **Mar. 10, 2015**

(51) **LOC (10) Cl.** **14-03**

(52) **U.S. Cl.**
USPC **D14/253**; D16/243

(58) **Field of Classification Search**
USPC D14/253, 432, 434, 440, 447, 439, 451,
D14/452, 457, 250, 251; D12/415, 114,
D12/420, 417, 223; D6/406.3, 406.4, 406.5,
D6/406.6, 310, 407; D3/218; D8/349;
D16/242-244
CPC H04M 1/04; H04M 1/06; H04M 1/11;
H04M 1/12; F16M 13/00; B60R 11/00;
B60R 11/02; H05K 7/00; G03B 17/56
See application file for complete search history.

(56) **References Cited**

U.S. PATENT DOCUMENTS

D257,259 S	10/1980	Shiraishi	
D327,083 S	6/1992	Hayakawa	
D382,286 S	8/1997	Doran	
D386,510 S	11/1997	Peterson	
5,768,645 A	6/1998	Kessler	
6,007,259 A	12/1999	Mori et al.	
D482,113 S	11/2003	Jones	
D528,879 S	9/2006	Ferrara et al.	
D546,865 S	7/2007	Rietveld et al.	
D580,474 S *	11/2008	Lee	D16/242
D581,344 S *	11/2008	Richter	D12/415
D625,573 S	10/2010	Bonzer	
7,905,667 B2	3/2011	Barker	
D653,806 S	2/2012	Bewick-Lieffort	

D678,387 S	3/2013	Stump	
D715,791 S *	10/2014	Yu	D14/253
D720,344 S *	12/2014	Yu	D14/253
D747,399 S *	1/2016	Stump	D16/243
2008/0070641 A1 *	3/2008	Wang	H04M 1/04 455/569.1
2010/0200710 A1	8/2010	Shenouda	
2015/0346590 A1 *	12/2015	Lewis	G03B 17/561 362/109
2016/0091779 A1 *	3/2016	Jodoin	G03B 17/563 396/428

* cited by examiner

Primary Examiner — Susan Bennett Hattan

Assistant Examiner — Janice Hallmark

(74) *Attorney, Agent, or Firm* — Quickpatents, LLC; Kevin Prince

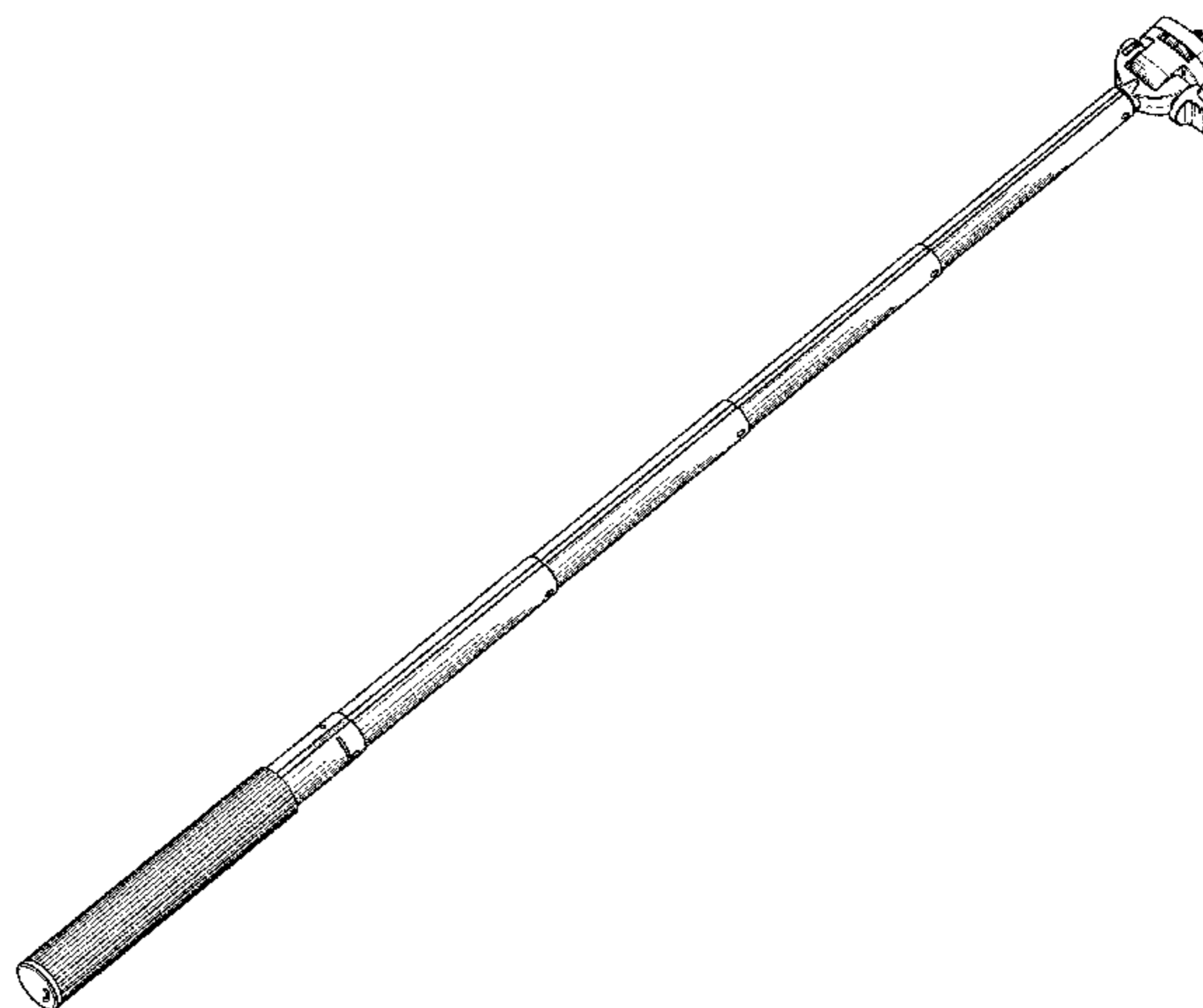
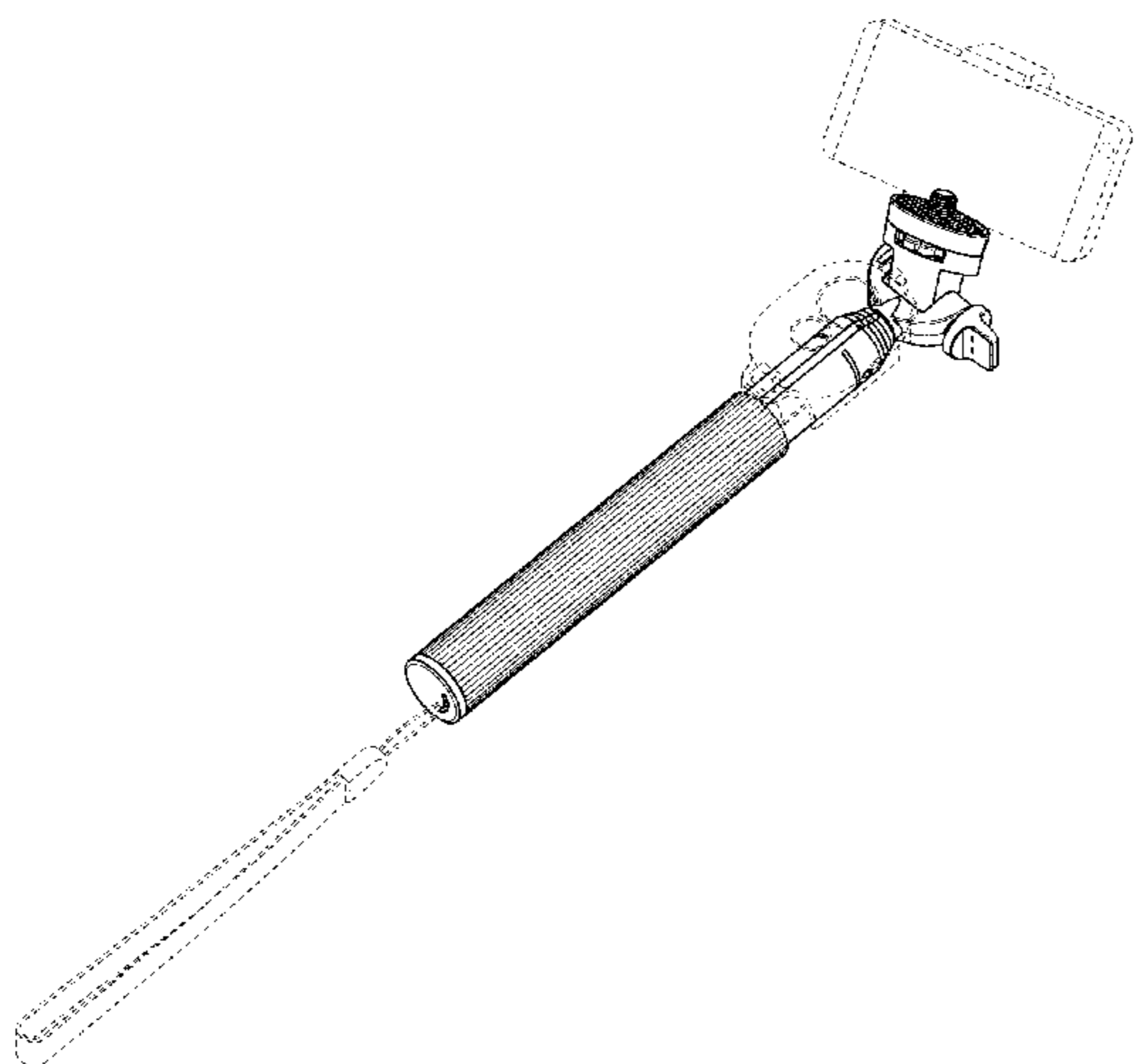
(57) **CLAIM**

I claim the ornamental design for a telescoping handle, as shown and described.

DESCRIPTION

FIG. 1 is a perspective view of a telescoping handle, showing my new design in a collapsed configuration with a mount thereof in a tilted position;
FIG. 2 is a front perspective view thereof, illustrated with the mount in a straight position;
FIG. 3 is a rear perspective view of FIG. 2;
FIG. 4 is a rear elevational view of FIG. 2;
FIG. 5 is a front elevational view of FIG. 2;
FIG. 6 is a left-side elevational view of FIG. 2;
FIG. 7 is a right-side elevational view of FIG. 2;
FIG. 8 is a top plan view of FIG. 2;
FIG. 9 is a bottom plan view of FIG. 2; and,
FIG. 10 is a perspective view thereof, illustrated in an extended position with the mount in the straight position.
The broken lines showing a portable electronic device, a detachable remote, and a handle in FIG. 1 depict environmental matter and form no part of the claimed design.

1 Claim, 5 Drawing Sheets



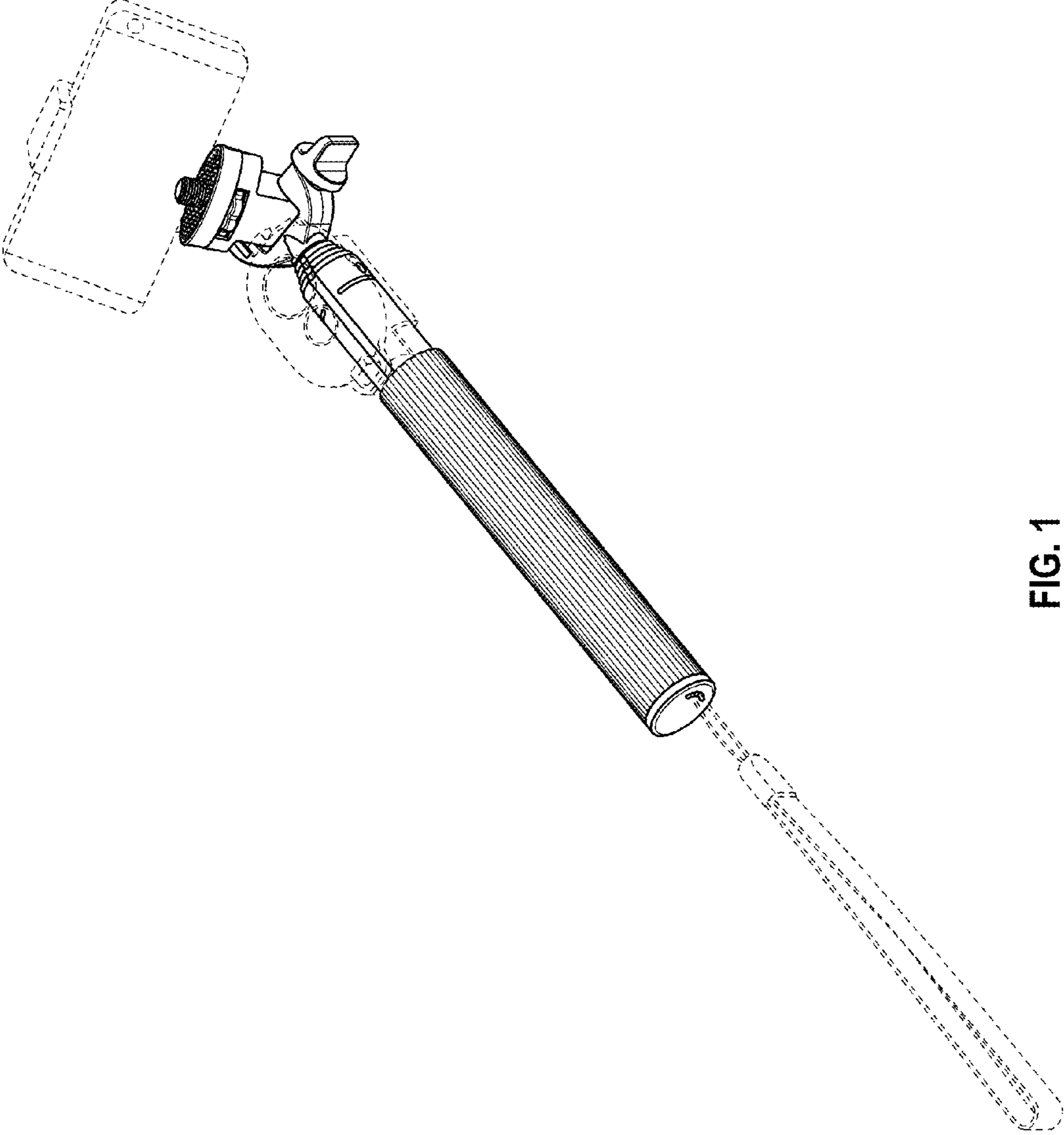


FIG. 1

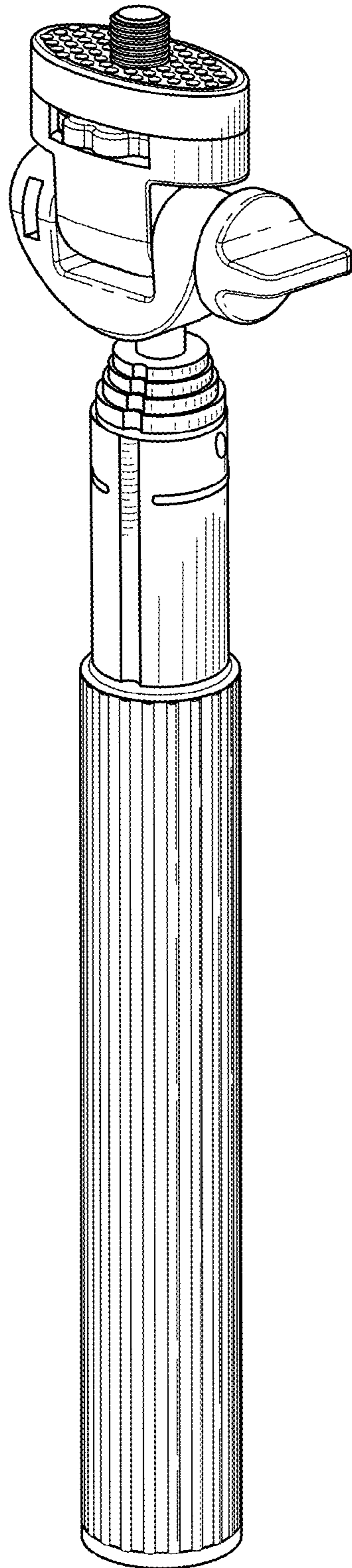


FIG. 2

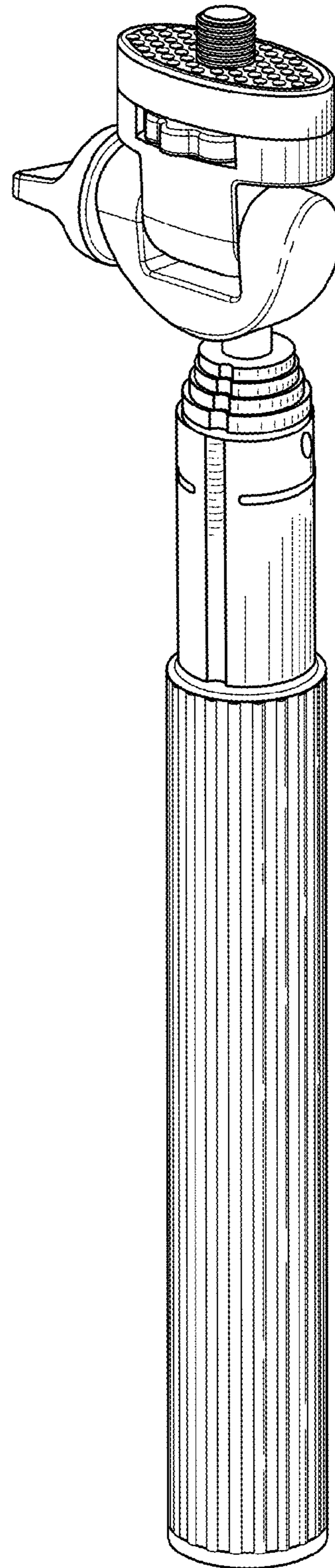


FIG. 3

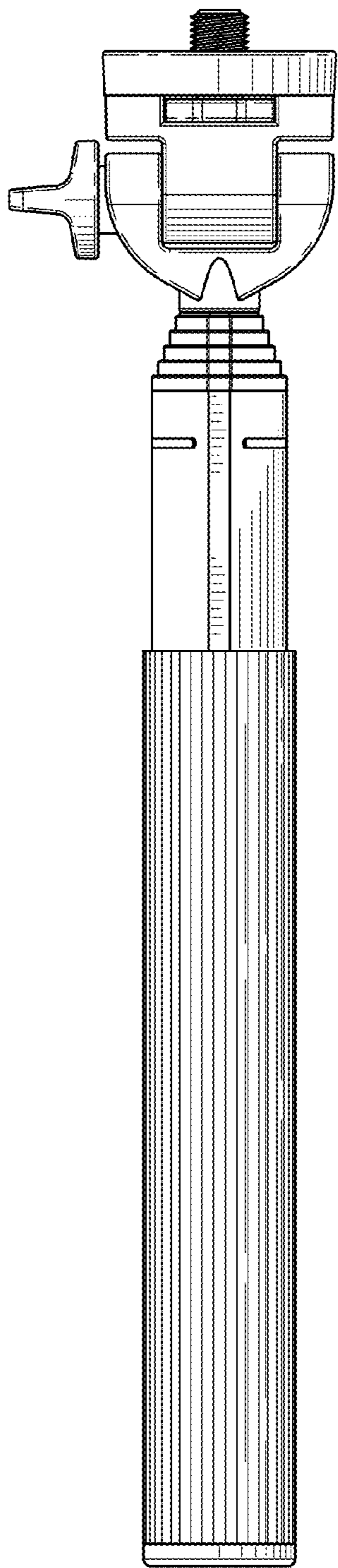


FIG. 4

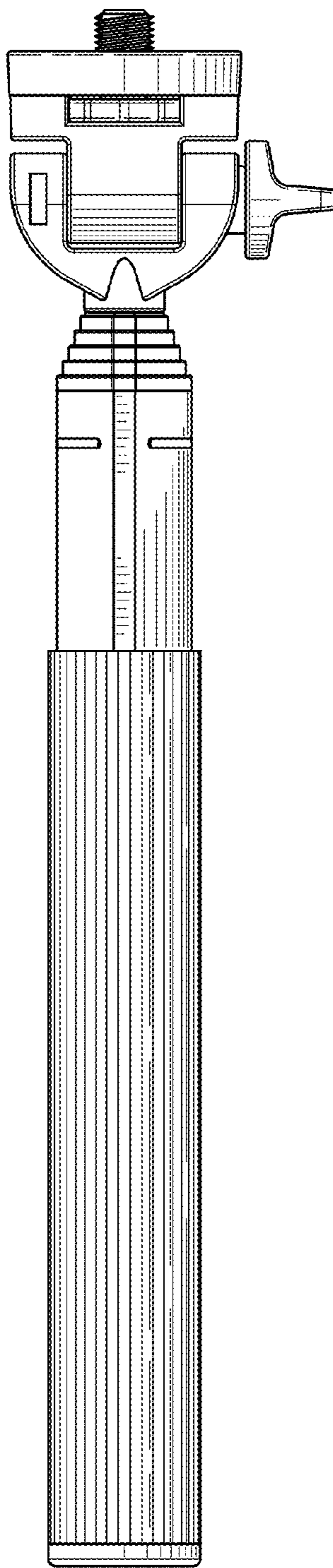


FIG. 5

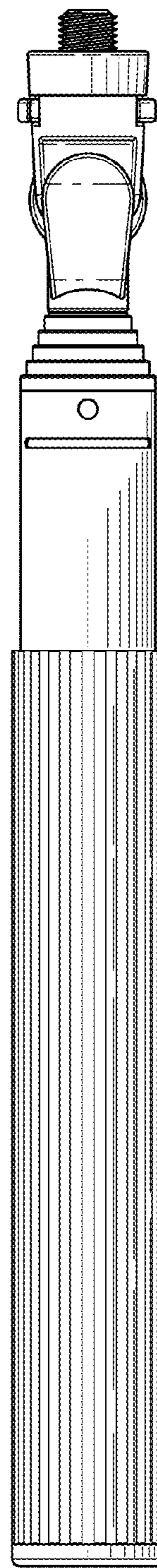


FIG. 6

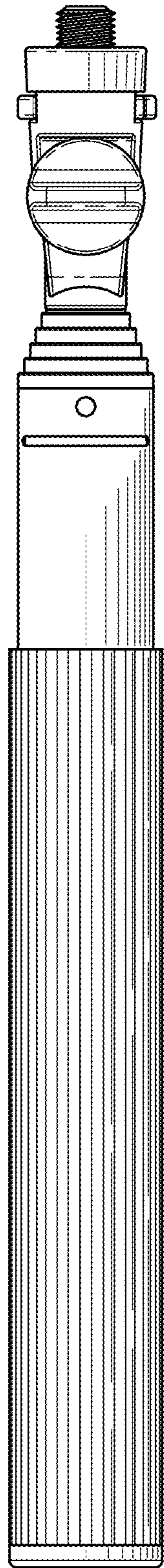


FIG. 7

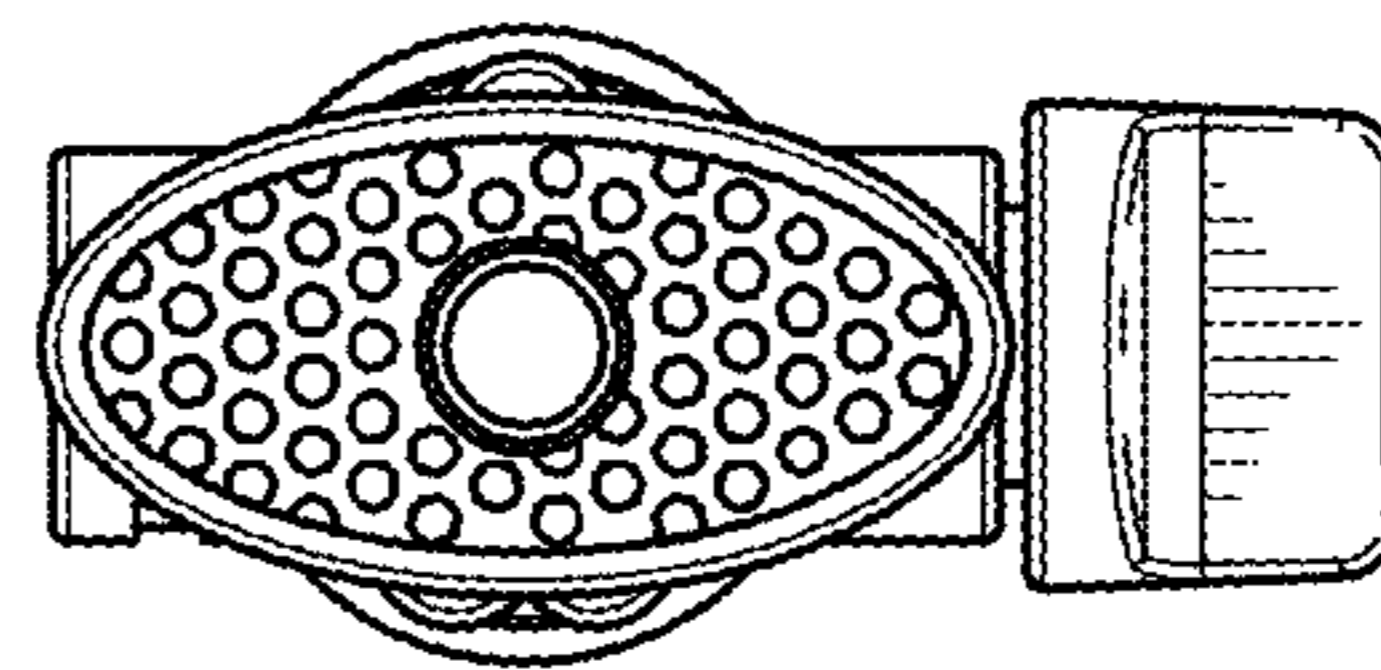


FIG. 8

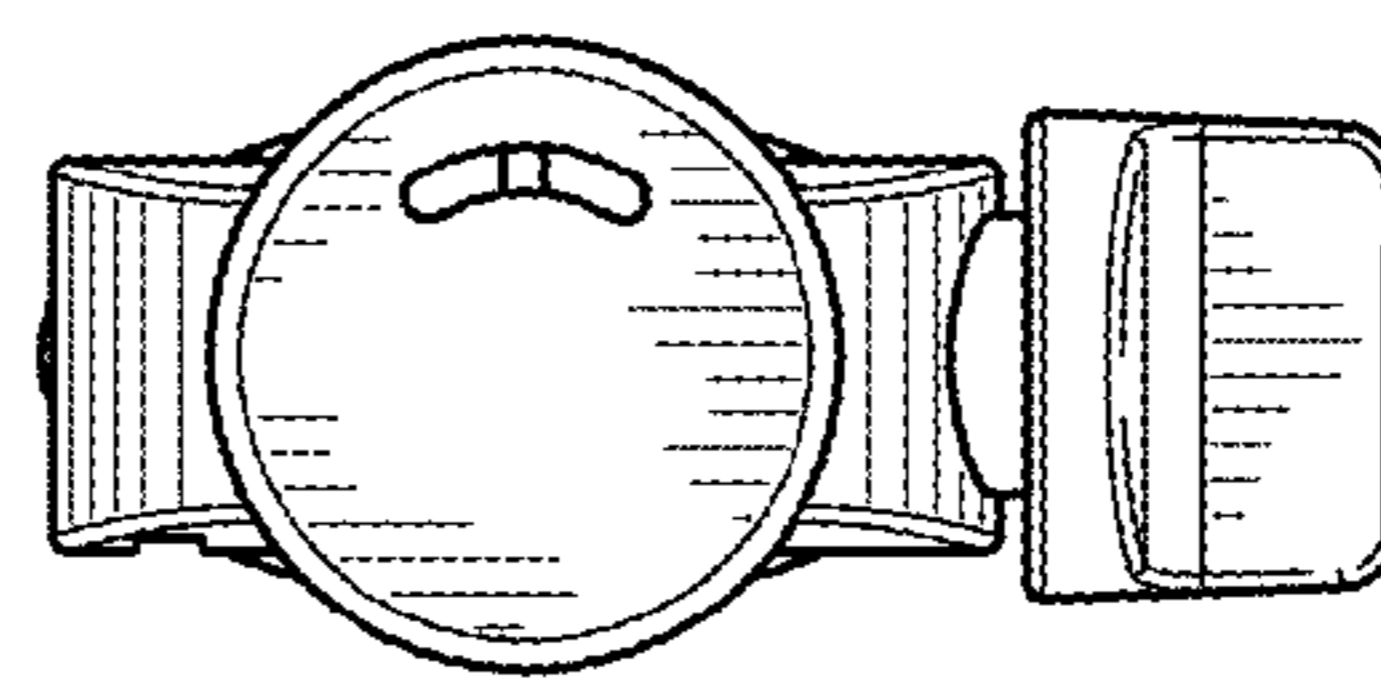


FIG. 9

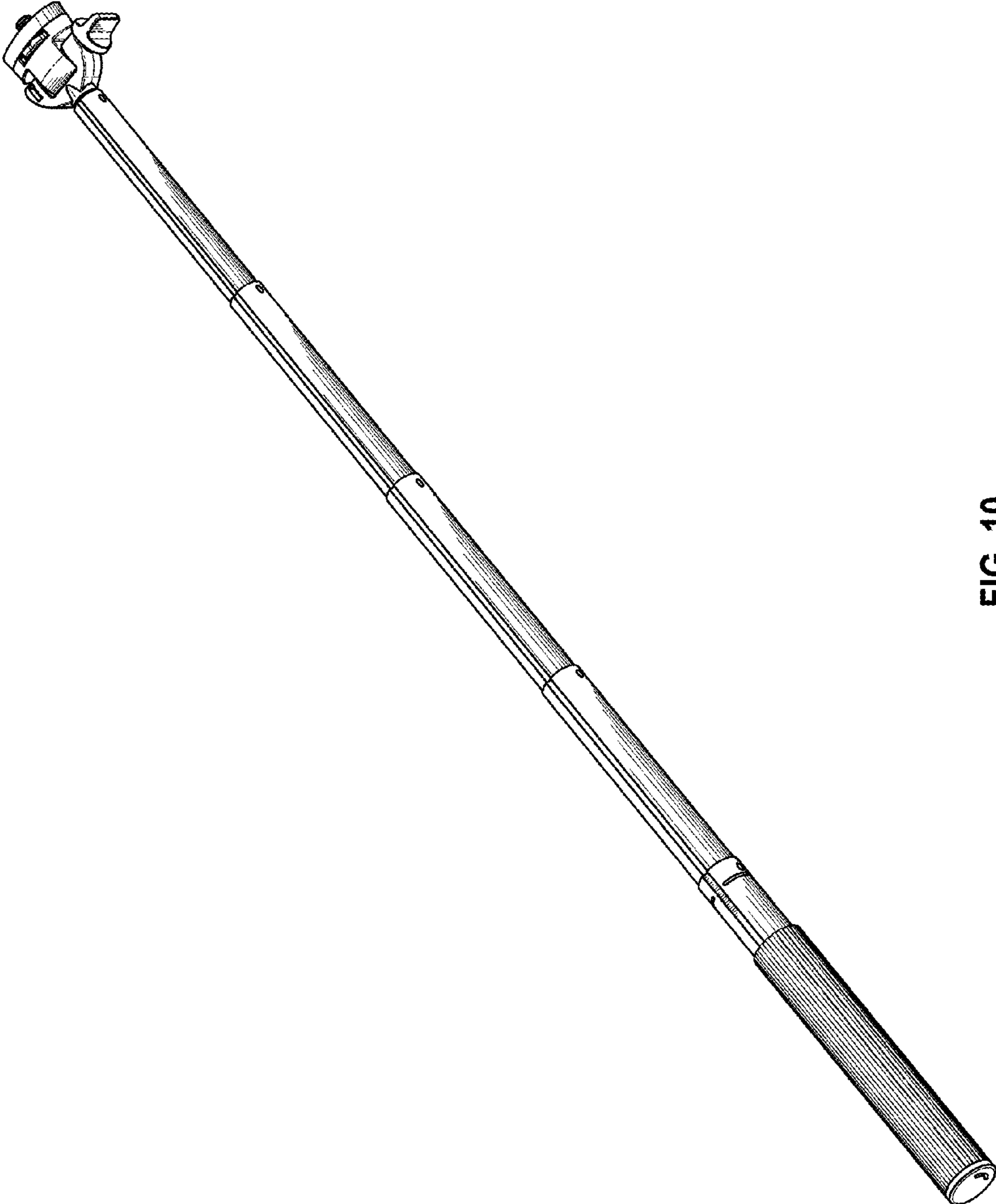


FIG. 10