



US00D766229S

(12) **United States Design Patent**
Manibog

(10) **Patent No.:** **US D766,229 S**
(45) **Date of Patent:** **** Sep. 13, 2016**

(54) **MOUNTING POLE WITH MOUNTING
PLATE ASSEMBLY FOR A MOBILE DEVICE
HOLDER**

(71) Applicant: **Bernardine Anela Manibog**, Waipahu,
HI (US)

(72) Inventor: **Bernardine Anela Manibog**, Waipahu,
HI (US)

(**) Term: **15 Years**

(21) Appl. No.: **29/549,997**

(22) Filed: **Dec. 29, 2015**

Related U.S. Application Data

(63) Continuation of application No. 29/474,596, filed on
Nov. 13, 2014, now Pat. No. Des. 750,611.

(51) **LOC (10) Cl.** **14-02**

(52) **U.S. Cl.**
USPC **D14/252**

(58) **Field of Classification Search**

USPC D14/140, 217, 238.1, 240, 251, 252,
D14/256, 432, 433, 471, 483; D16/237,
D16/242-245; 224/270, 271; 248/158;
352/242, 243; 396/419, 428
CPC F16M 11/40; F16M 13/00; F16M 13/02;
F16M 13/022

See application file for complete search history.

(56) **References Cited**

U.S. PATENT DOCUMENTS

2,510,198 A * 6/1950 Tesmer B23Q 1/285
248/160
D257,259 S * 10/1980 Shiraishi D16/244
D293,470 S * 12/1987 Adler D24/140
D308,205 S * 5/1990 Tholberg 379/455
D327,211 S * 6/1992 Tarshis D14/229
5,163,752 A * 11/1992 Copeland F16M 11/40
362/191
D376,970 S * 12/1996 Drake D8/72

D382,286 S * 8/1997 Doran 224/908
D394,669 S * 5/1998 Becker 224/908
6,705,578 B2 * 3/2004 Mulford A01M 31/02
248/187.1
D502,956 S * 3/2005 Holmes 396/428
D515,613 S * 2/2006 Holmes 396/428
8,028,963 B2 * 10/2011 Speggorin F16M 11/16
248/177.1
D658,651 S * 5/2012 Lee D14/452
D670,284 S * 11/2012 Choi D14/253
D670,752 S * 11/2012 Barber D16/242
D720,344 S * 12/2014 Yu D14/253

(Continued)

Primary Examiner — Susan Bennett Hattan

Assistant Examiner — Leanne Was

(74) *Attorney, Agent, or Firm* — Keri Ann K. S.
Krzykowski; Martin E. Hsia

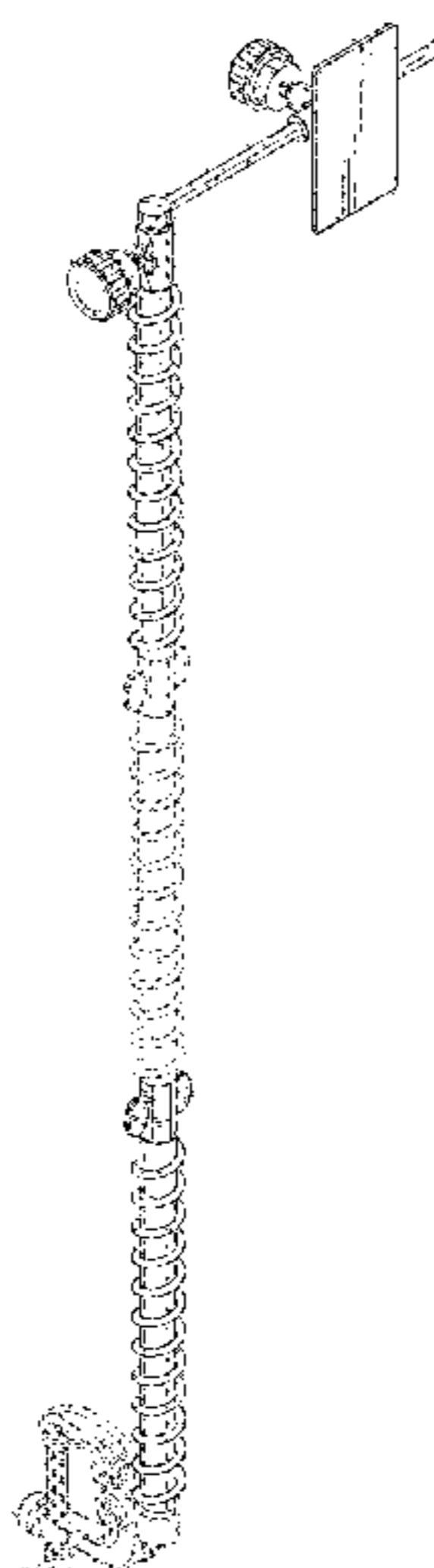
(57) **CLAIM**

The ornamental design for a mounting pole with mounting
plate assembly for a mobile device holder, as shown and
described.

DESCRIPTION

FIG. 1 is a perspective view thereof from the front top left;
FIG. 2 is a perspective view thereof from the front top left;
FIG. 3 is an elevational view thereof from the front;
FIG. 4 is an elevational view thereof from the rear;
FIG. 5 is an elevational view thereof from the left;
FIG. 6 is an elevational view thereof from the right;
FIG. 7 is a top plan view thereof;
FIG. 8 is a bottom plan view thereof; and,
FIG. 9 is a perspective view thereof from the rear top left.
The broken lines in FIG. 1 depict environment for the
mounting pole with mounting plate assembly for a mobile
device holder, and portions of the mounting pole with
mounting plate assembly for a mobile device holder that
form no part of the claimed design.
The broken lines in FIGS. 2-8 depict portions of the mount-
ing pole with mounting plate assembly for a mobile device
holder that form no part of the claimed design.

1 Claim, 6 Drawing Sheets



US D766,229 S

Page 2

(56)

References Cited

U.S. PATENT DOCUMENTS

D748,182 S * 1/2016 Polito D16/242
D748,183 S * 1/2016 Polito D16/242
D750,611 S * 3/2016 Manibog D14/252
2004/0211868 A1* 10/2004 Holmes F16M 11/40
248/231.71

2007/0262506 A1* 11/2007 Alberti B25B 5/067
269/249
2015/0173533 A1* 6/2015 Dolar A47G 1/16
248/474
2016/0007778 A1* 1/2016 Kien F16M 11/40
5/639

* cited by examiner

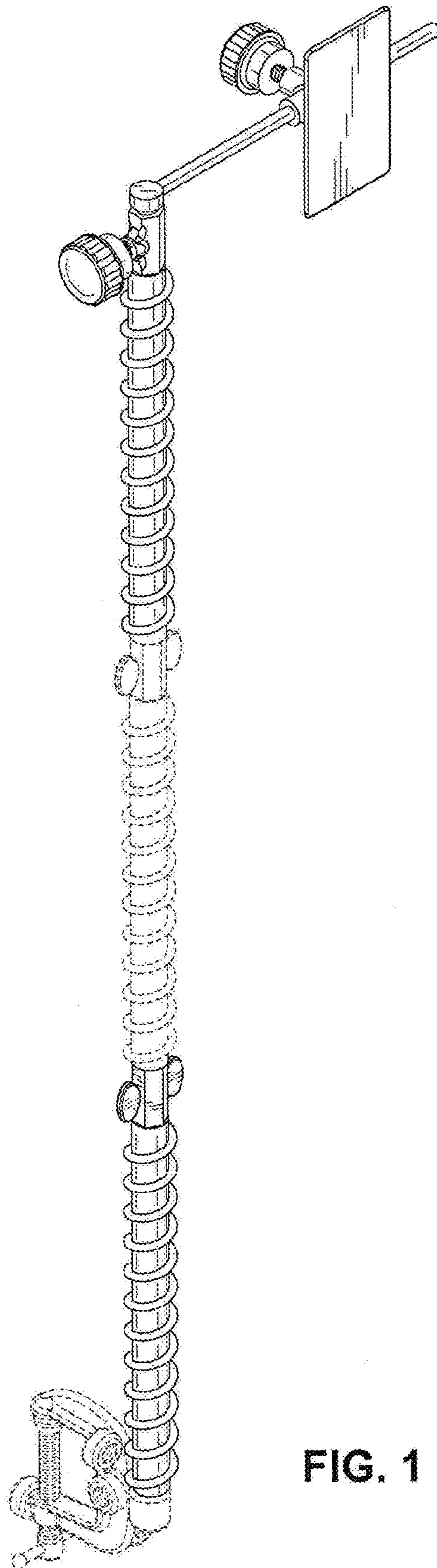


FIG. 1

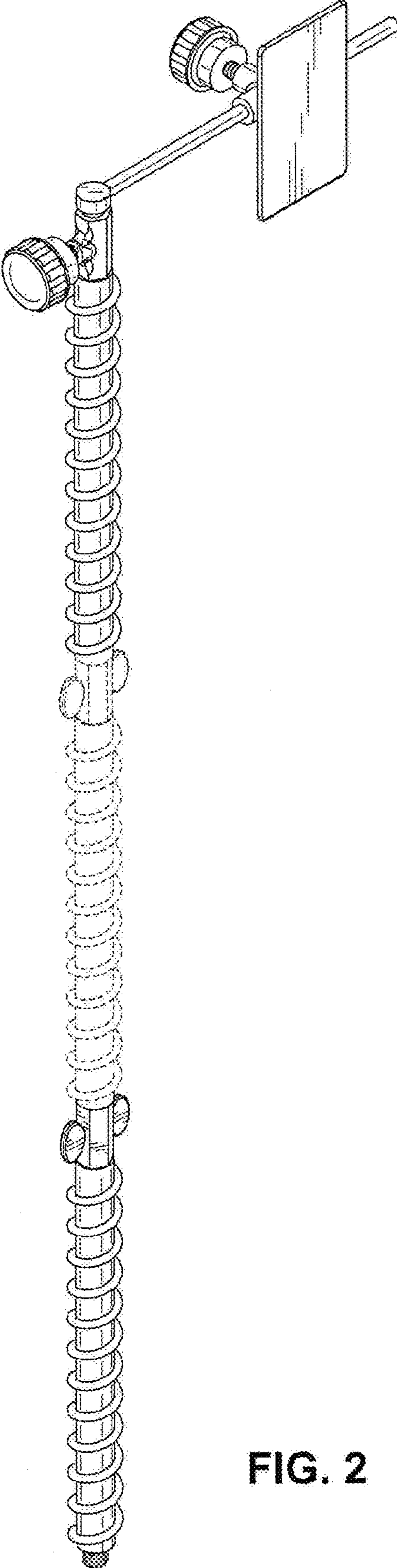


FIG. 2

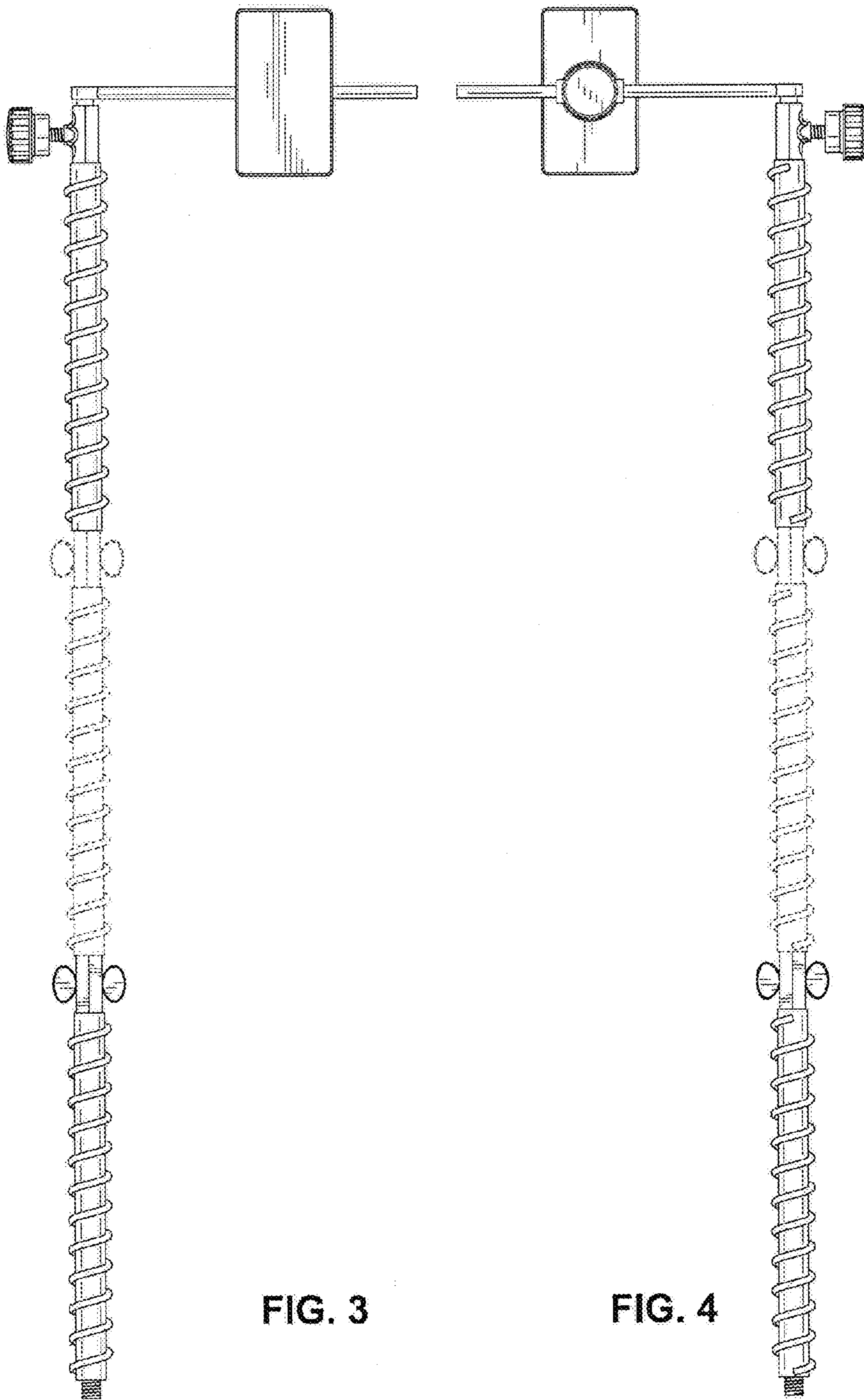


FIG. 3

FIG. 4

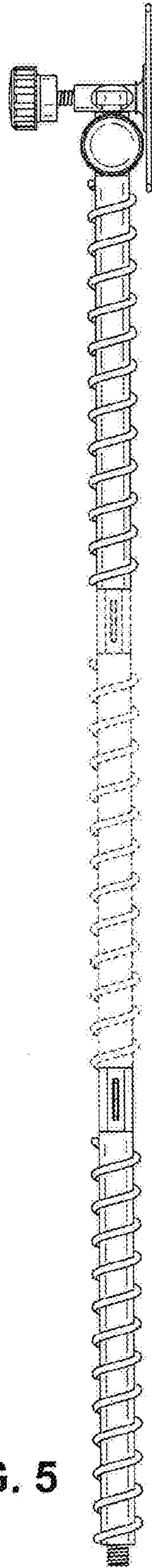


FIG. 5

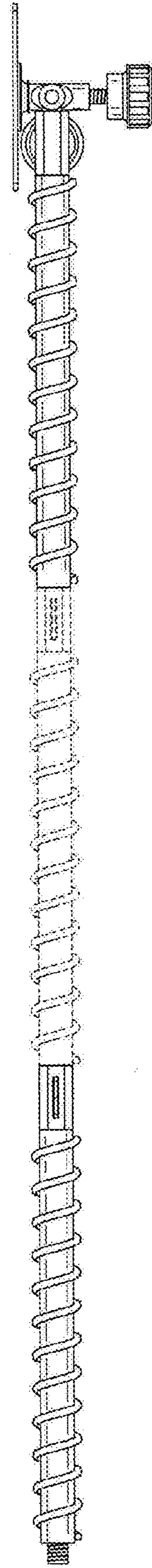


FIG. 6

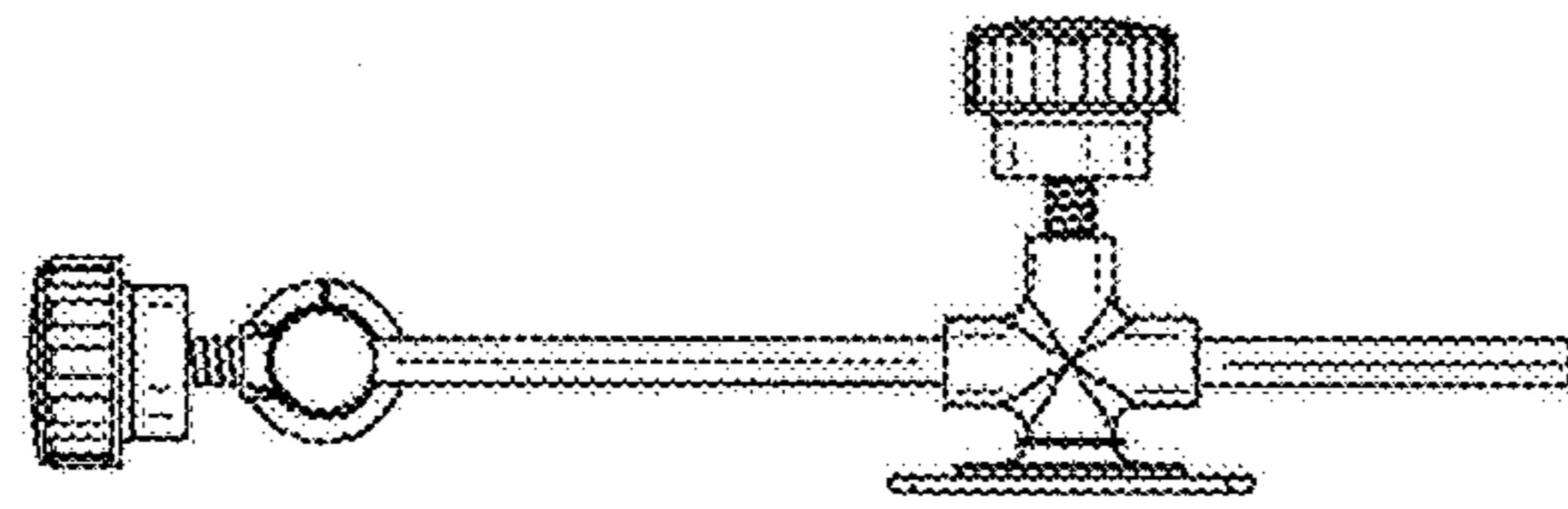


FIG. 7

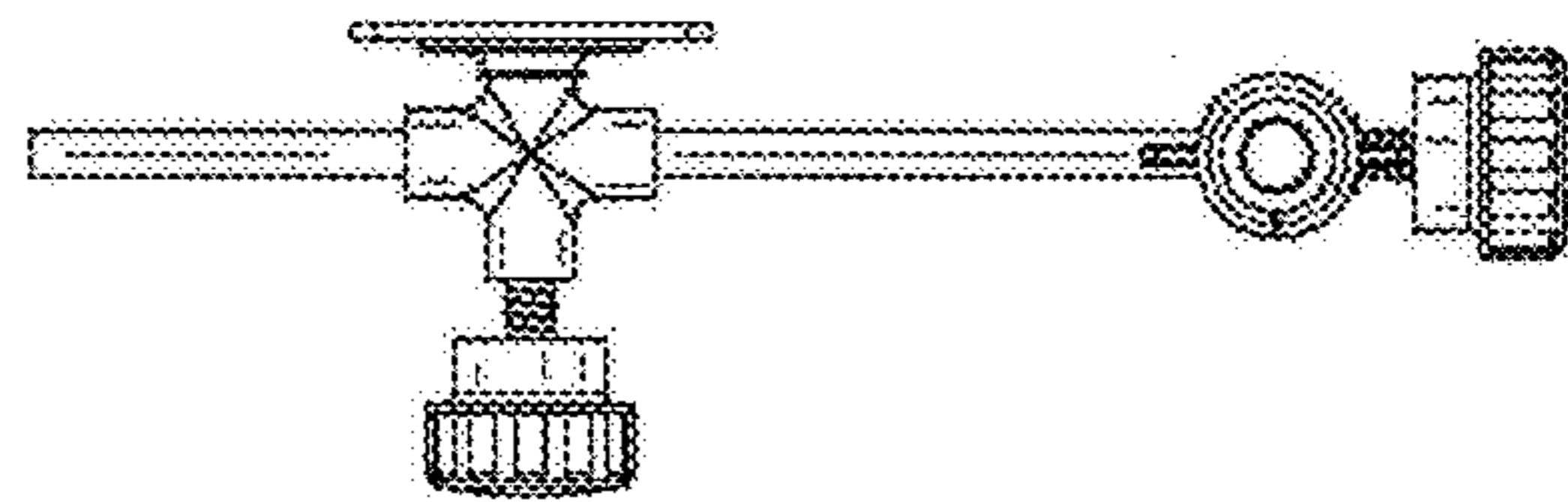


FIG. 8

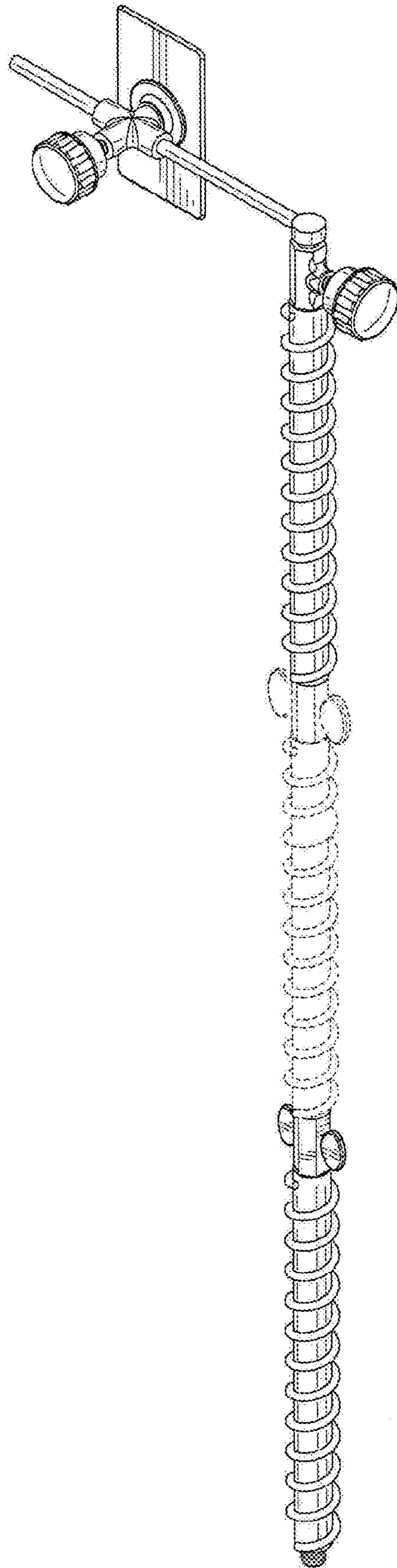


FIG. 9