



US00D766228S

(12) **United States Design Patent**  
**Haymond**

(10) **Patent No.:** **US D766,228 S**

(45) **Date of Patent:** **\*\* Sep. 13, 2016**

(54) **COMBINED SMART PHONE STAND AND  
MOUSE PAD**

(71) Applicant: **American Covers, Inc.**, Draper, UT  
(US)

(72) Inventor: **Bryce Haymond**, West Valley, UT (US)

(73) Assignee: **America Covers, Inc.**, Draper, UT  
(US)

(\*\*) Term: **15 Years**

(21) Appl. No.: **29/541,235**

(22) Filed: **Oct. 1, 2015**

(51) **LOC (10) Cl.** ..... **14-03**

(52) **U.S. Cl.**  
USPC ..... **D14/252**; D14/458; D14/253

(58) **Field of Classification Search**  
USPC ..... D14/253, 251, 252, 447, 451, 452, 440,  
D14/434, 458, 432, 439, 457, 460, 238.1,  
D14/140, 142, 149, 217, 148, 140.8, 140.11,  
D14/209.1, 151, 140.9, 250, 459; D13/107,  
D13/108; D12/415, 223, 114, 420, 417,  
D12/407, 177; D3/218; D16/242-245, 250,  
D16/237, 203, 214, 219; D8/349; D6/675,  
D6/672, 673, 675.4, 553, 676, 310, 406.3,  
D6/406.4, 406.5, 406.6, 407; D19/87, 65  
CPC ..... B60R 2011/0008; B60R 11/02; B60R  
11/0241; B60R 11/0258; B60R 11/0252;  
B60R 2011/0294; F16M 11/00; F16M 11/04;  
F16M 11/041; F16M 11/02; F16M 11/06;  
F16M 13/00; H04M 1/02; H04M 1/04;  
H04M 1/11; H04M 1/12; A47F 7/022;  
B62J 11/00; H05K 7/00; G03B 17/56

See application file for complete search history.

(56) **References Cited**

U.S. PATENT DOCUMENTS

D85,615 S *	11/1931	Johanning .....	D14/252
D148,464 S *	1/1948	Goldman .....	D14/252
D361,556 S *	8/1995	Moro .....	D14/459
D400,924 S *	11/1998	Cornell .....	D14/458
D415,142 S *	10/1999	Guy .....	D14/459
D441,010 S *	4/2001	Miyahara .....	D18/19
6,491,275 B1 *	12/2002	Goodman .....	B32B 5/18 248/346.01
D471,915 S *	3/2003	Joss .....	D14/458
D674,381 S *	1/2013	Ma .....	D14/253
2004/0089782 A1 *	5/2004	Eliason .....	G06F 3/0395 248/346.01

\* cited by examiner

*Primary Examiner* — Susan Bennett Hattan

*Assistant Examiner* — Janice Hallmark

(74) *Attorney, Agent, or Firm* — Thorpe, North & Western,  
LLP

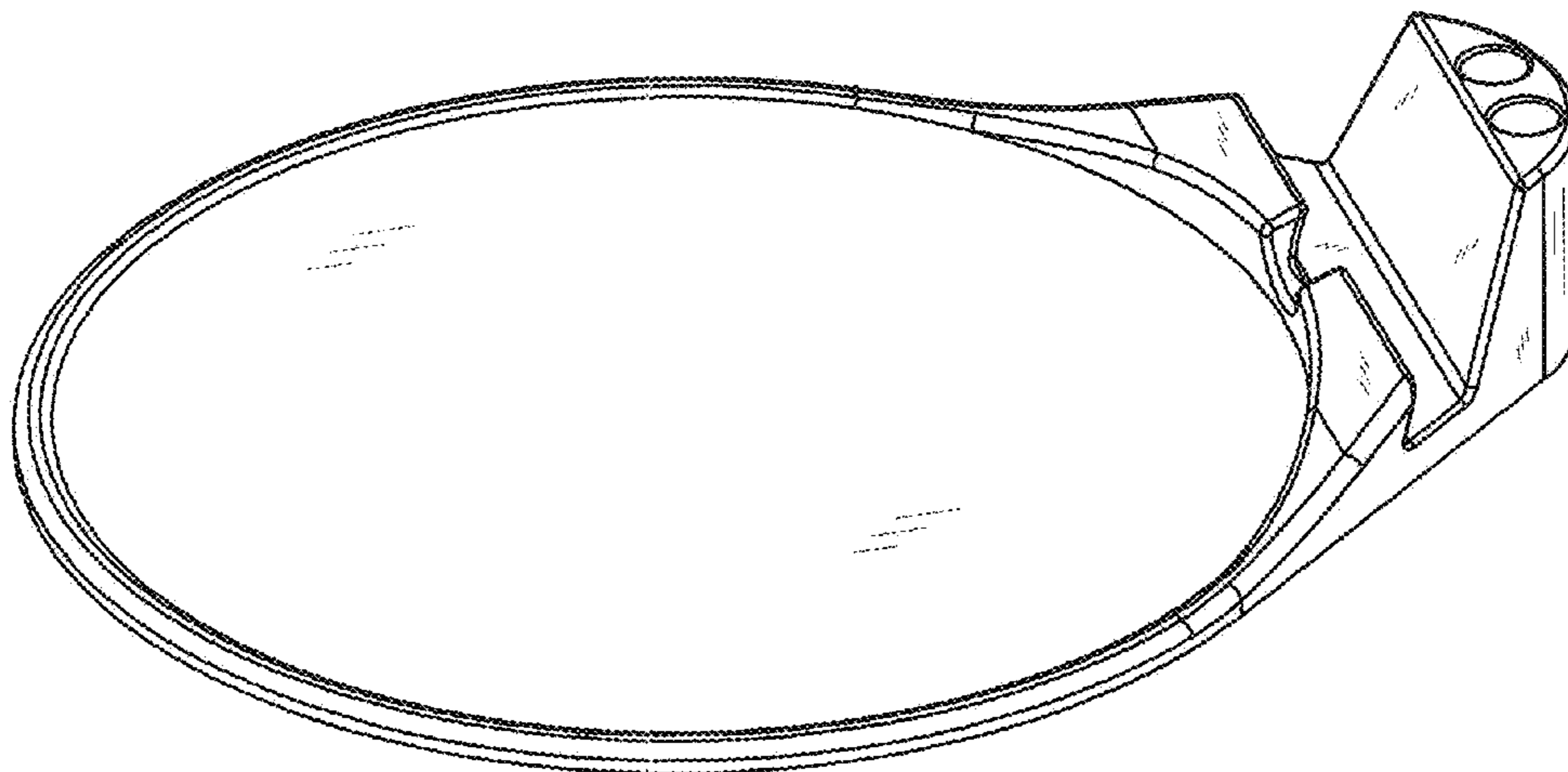
(57) **CLAIM**

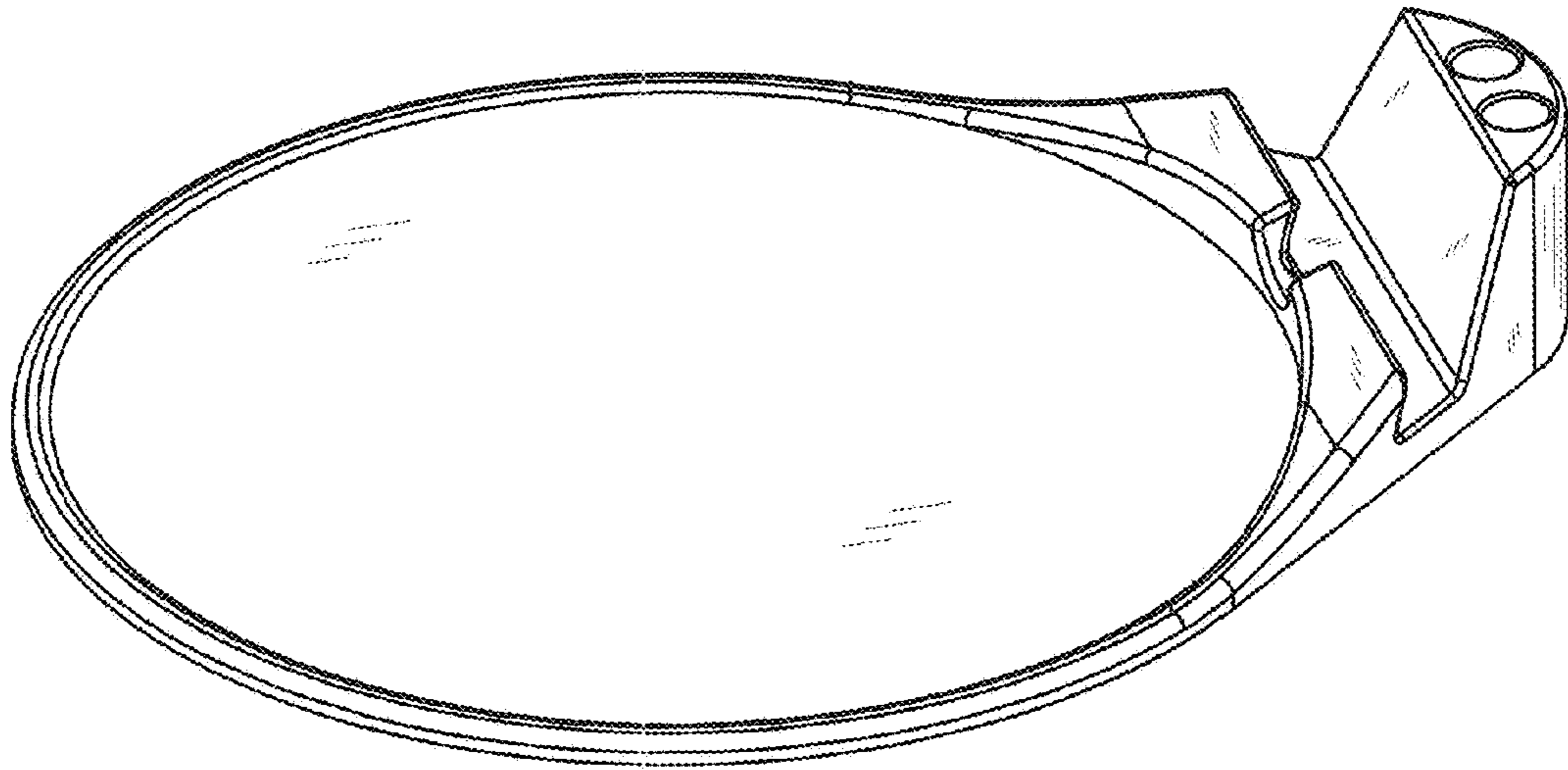
The ornamental design for the combined smart phone stand and mouse pad, as shown and described herein.

**DESCRIPTION**

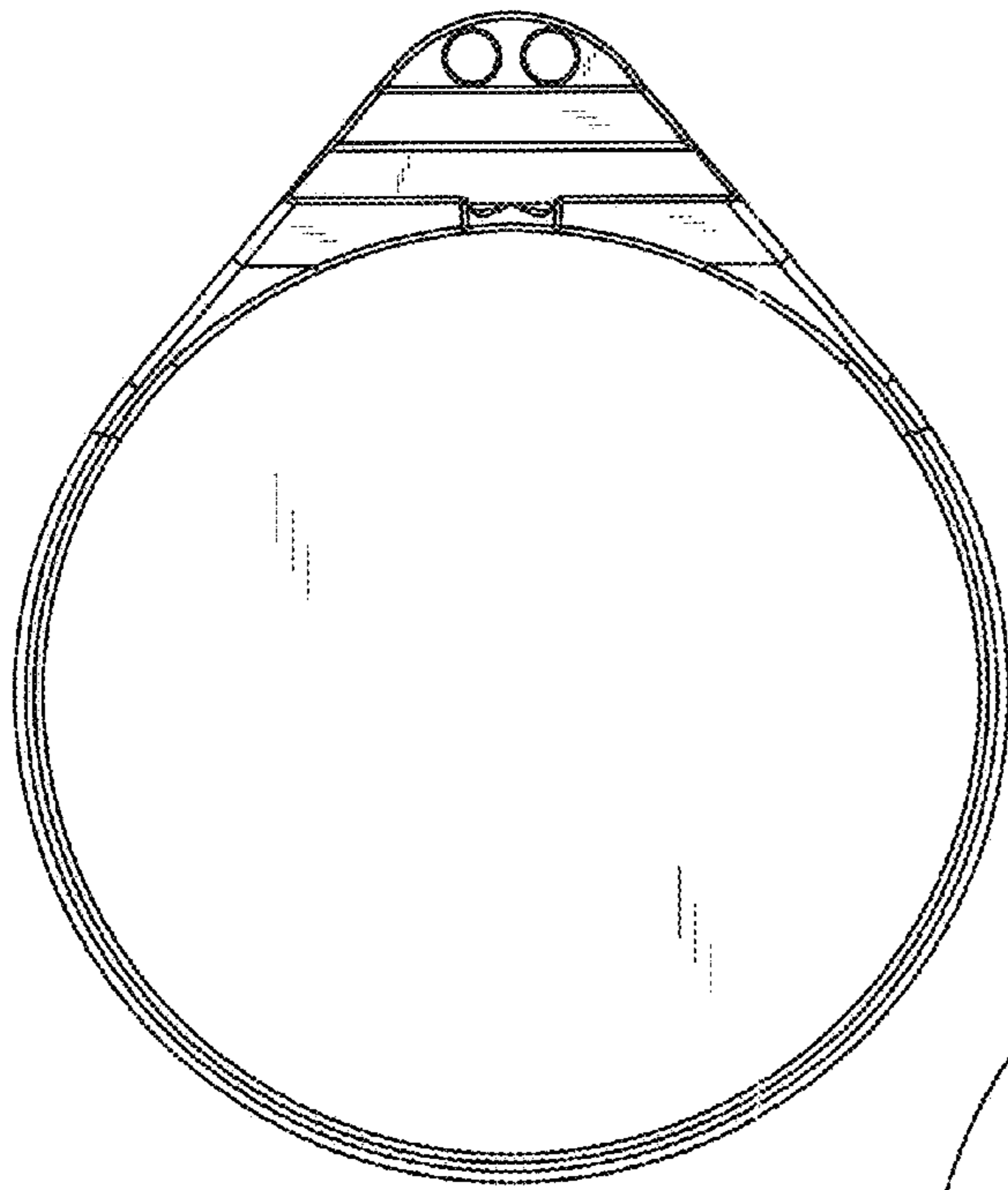
FIG. 1 is an elevated, perspective view of the combined smart phone stand and mouse pad in accordance with my invention;  
FIG. 2 is a top plan view thereof;  
FIG. 3 is a bottom plan view thereof;  
FIG. 4 is a front elevation view thereof;  
FIG. 5 is a rear elevation view thereof; and,  
FIG. 6 is a side elevation view thereof, an opposing side elevation view being the mirror image thereof.  
The broken line in FIG. 3 depicts parts of the combined smart phone stand and mouse pad that form no part of the claimed design.

**1 Claim, 2 Drawing Sheets**

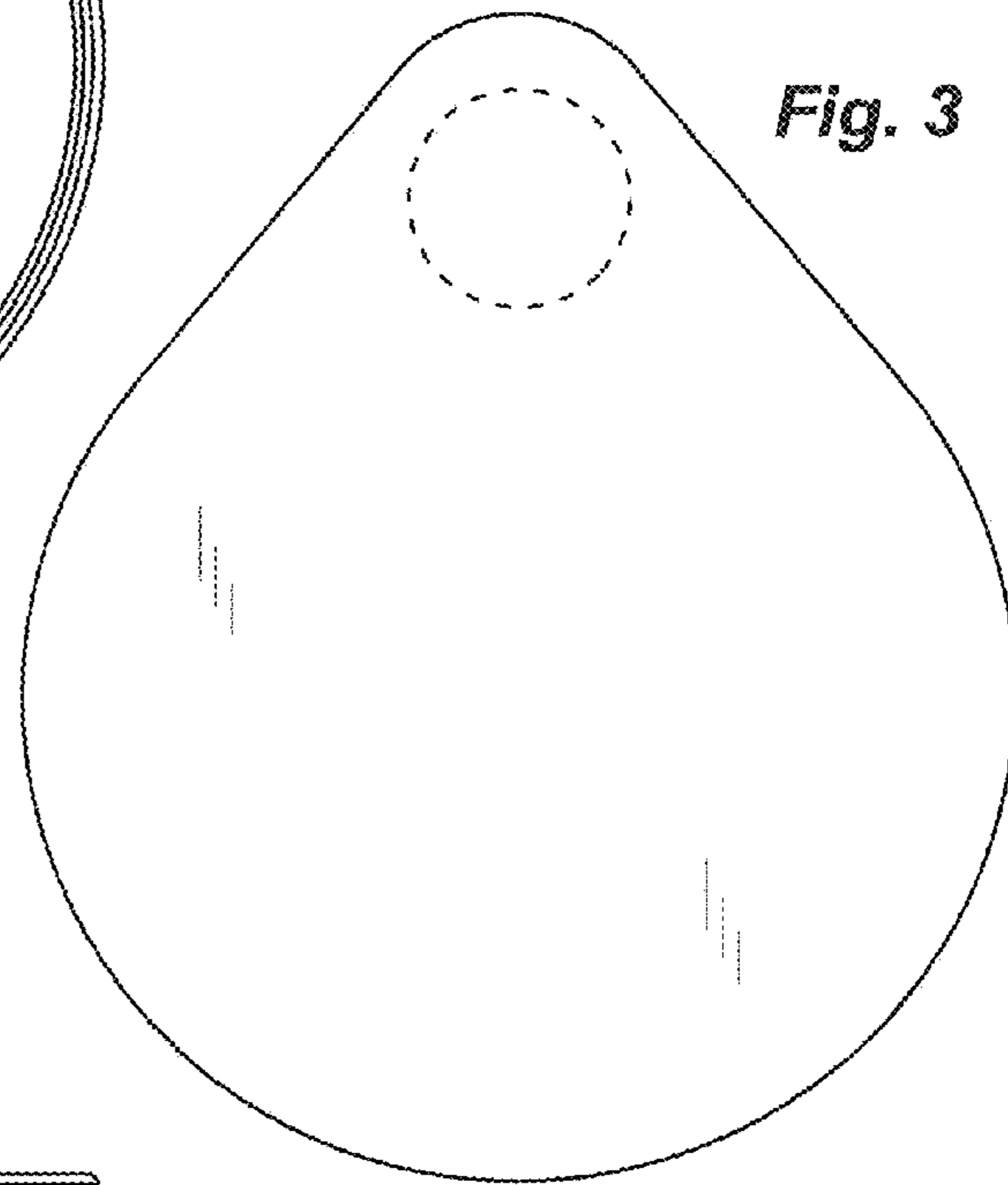




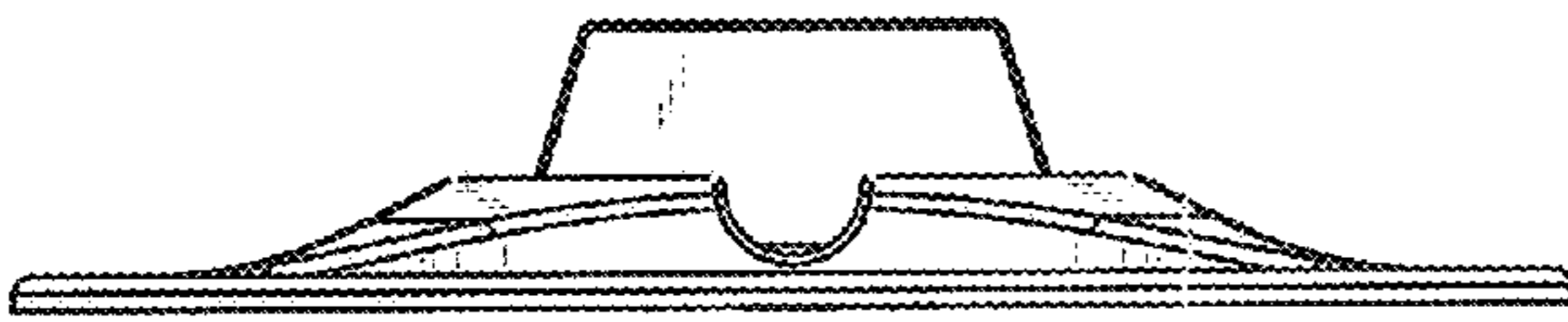
*Fig. 1*



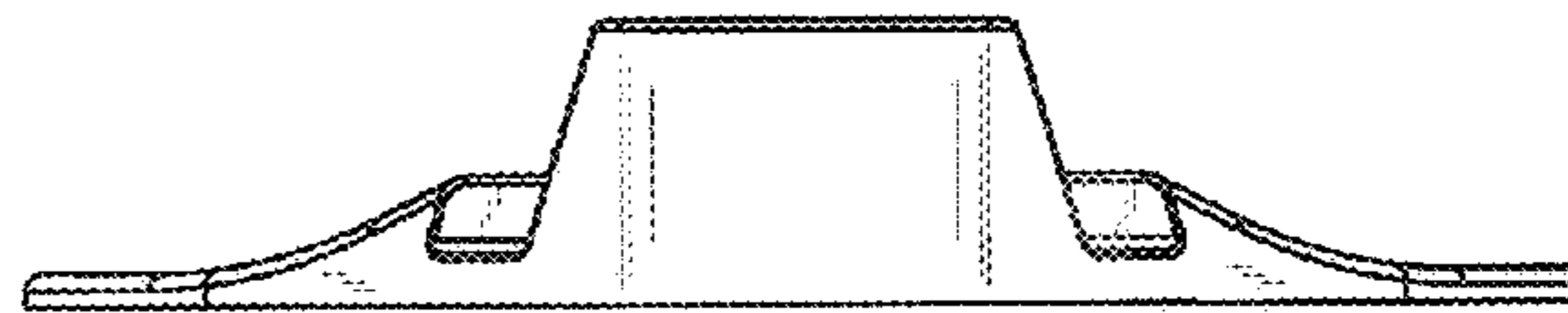
*Fig. 2*



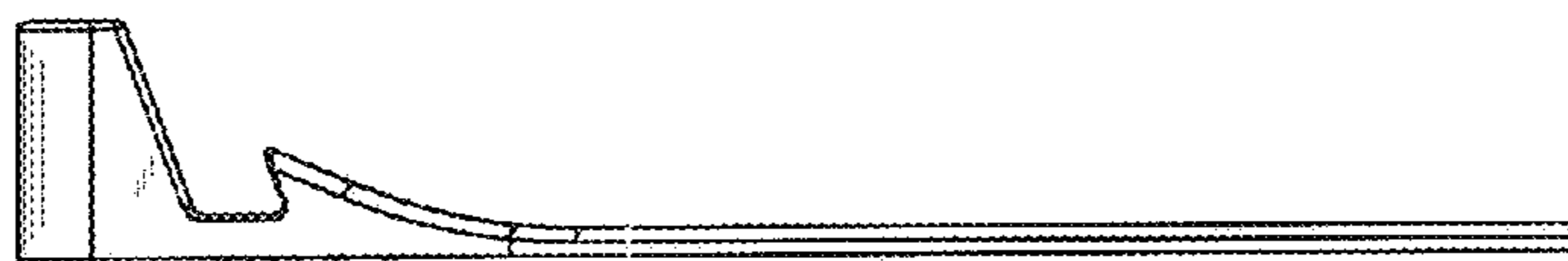
*Fig. 3*



*Fig. 4*



*Fig. 5*



*Fig. 6*

UNITED STATES PATENT AND TRADEMARK OFFICE  
**CERTIFICATE OF CORRECTION**

PATENT NO. : D766,228 S  
APPLICATION NO. : 29/541235  
DATED : September 13, 2016  
INVENTOR(S) : Haymond

Page 1 of 1

It is certified that error appears in the above-identified patent and that said Letters Patent is hereby corrected as shown below:

Title Page

“(73) America Covers, Inc., Draper, UT (US)” should read

-- (73) American Covers, Inc., Draper, UT (US) --

“(57) The ornamental design for the combined smart phone stand and mouse pad, as shown and describes herein.” should read

-- (57) The ornamental design for the combined smart phone stand and mouse pad, as shown and described. --

Signed and Sealed this  
Twenty-ninth Day of November, 2016



Michelle K. Lee  
*Director of the United States Patent and Trademark Office*