

US00D766223S

(12) **United States Design Patent**
Chen et al.

(10) **Patent No.:** **US D766,223 S**
(45) **Date of Patent:** **** Sep. 13, 2016**

(54) **GROUND TERMINAL OF HIGH DEFINITION VIDEO DOWNLINK**

(71) Applicant: **SZ DJI TECHNOLOGY CO., LTD.**,
Shenzhen, Guangdong (CN)

(72) Inventors: **Shao-jie Chen**, Shenzhen (CN);
Deng-feng Hu, Shenzhen (CN)

(73) Assignee: **SZ DJI Technology Co., Ltd.**,
Shenzhen (CN)

(**) Term: **14 Years**

(21) Appl. No.: **29/500,179**

(22) Filed: **Aug. 22, 2014**

(30) **Foreign Application Priority Data**

Apr. 11, 2014 (CN) 2014 3 0086154

(51) **LOC (10) Cl.** **14-03**

(52) **U.S. Cl.**
USPC **D14/240**

(58) **Field of Classification Search**
USPC D14/240, 242, 125, 239, 357, 358,
D14/140-140.9, 155, 137, 139, 243, 433
CPC H04L 12/00; H03K 17/00; H04W 88/00;
H04W 88/005; H04W 88/02; H04W 88/08;
H04W 88/085; H04W 88/10; H04W 88/12;
H04W 88/14; H04B 1/38

See application file for complete search history.

(56) **References Cited**

U.S. PATENT DOCUMENTS

D471,543 S * 3/2003 Yang et al. D14/240
6,776,345 B1 * 8/2004 Liang 235/486
D529,903 S * 10/2006 McRae et al. D14/240
D561,750 S * 2/2008 Liu et al. D14/240

D580,422 S * 11/2008 Lee D14/240
D596,177 S * 7/2009 Steele et al. D14/358
D602,020 S * 10/2009 Haspil et al. D14/358
D662,496 S * 6/2012 Lewis et al. D14/240
D673,935 S * 1/2013 Lee D14/240
D686,207 S * 7/2013 Lewis et al. D14/358
D733,708 S * 7/2015 Chen et al. D14/358
D738,869 S * 9/2015 Groener et al. D14/240
2006/0187890 A1 * 8/2006 Lin 370/338

OTHER PUBLICATIONS

DJI—Introducing the Lightbridge, published Feb. 10, 2014,
[online], [retrieved on Nov. 17, 2015]. Retrieved from Internet ,
<URL: https://www.youtube.com/watch?v=1ZN1_zq_S2k>.*
DJI Lightbridge Full HD Video Downlink, published Feb. 24, 2014,
[online], [retrieved on Nov. 17, 2015]. Retrieved from Internet ,
<URL: <https://www.youtube.com/watch?v=yxdefytkK0s>>.*

* cited by examiner

Primary Examiner — Bridget L Eland

(74) *Attorney, Agent, or Firm* — Sterne, Kessler, Goldstein
& Fox P.L.L.C.

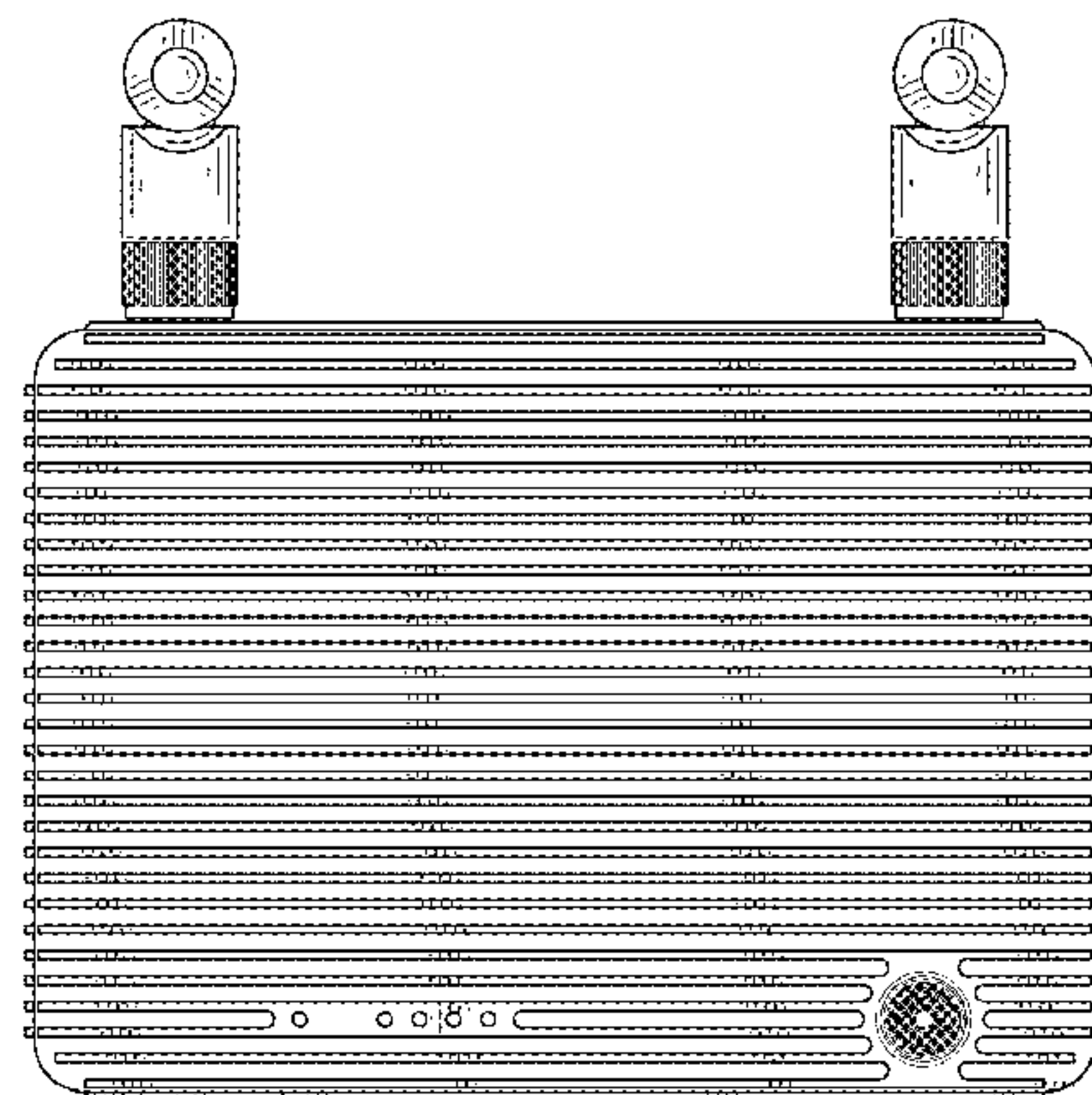
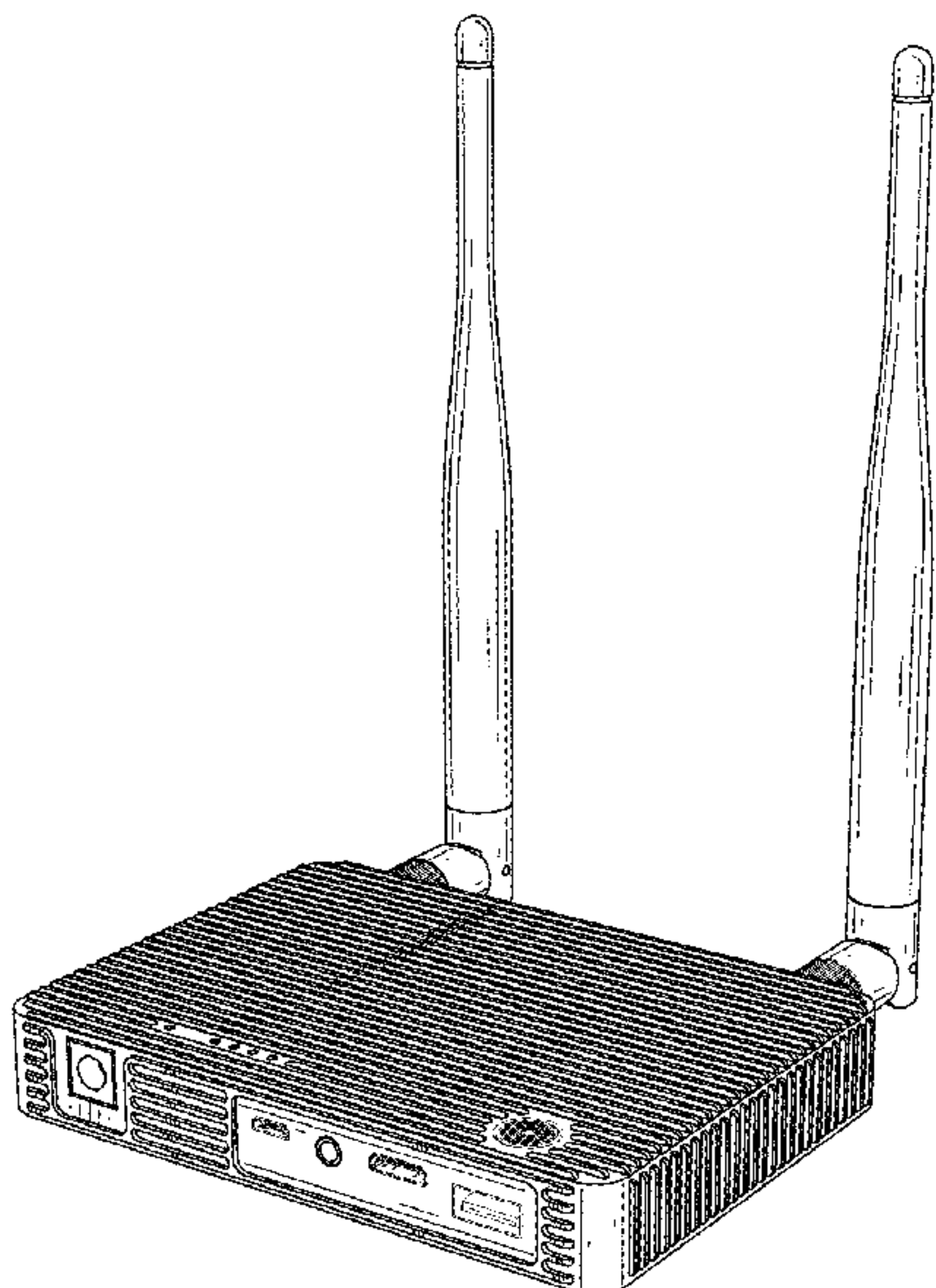
(57) **CLAIM**

The ornamental design for a ground terminal of high definition video downlink, as shown and described.

DESCRIPTION

FIG. 1 is a first perspective view of a ground terminal of high definition video downlink showing our new design; FIG. 2 is a second perspective view thereof; FIG. 3 is a front elevational view thereof; FIG. 4 is a rear elevational view thereof; FIG. 5 is a left side view thereof; FIG. 6 is a right side view thereof; FIG. 7 is a top plan view thereof; and, FIG. 8 is a bottom plan view thereof.

1 Claim, 8 Drawing Sheets



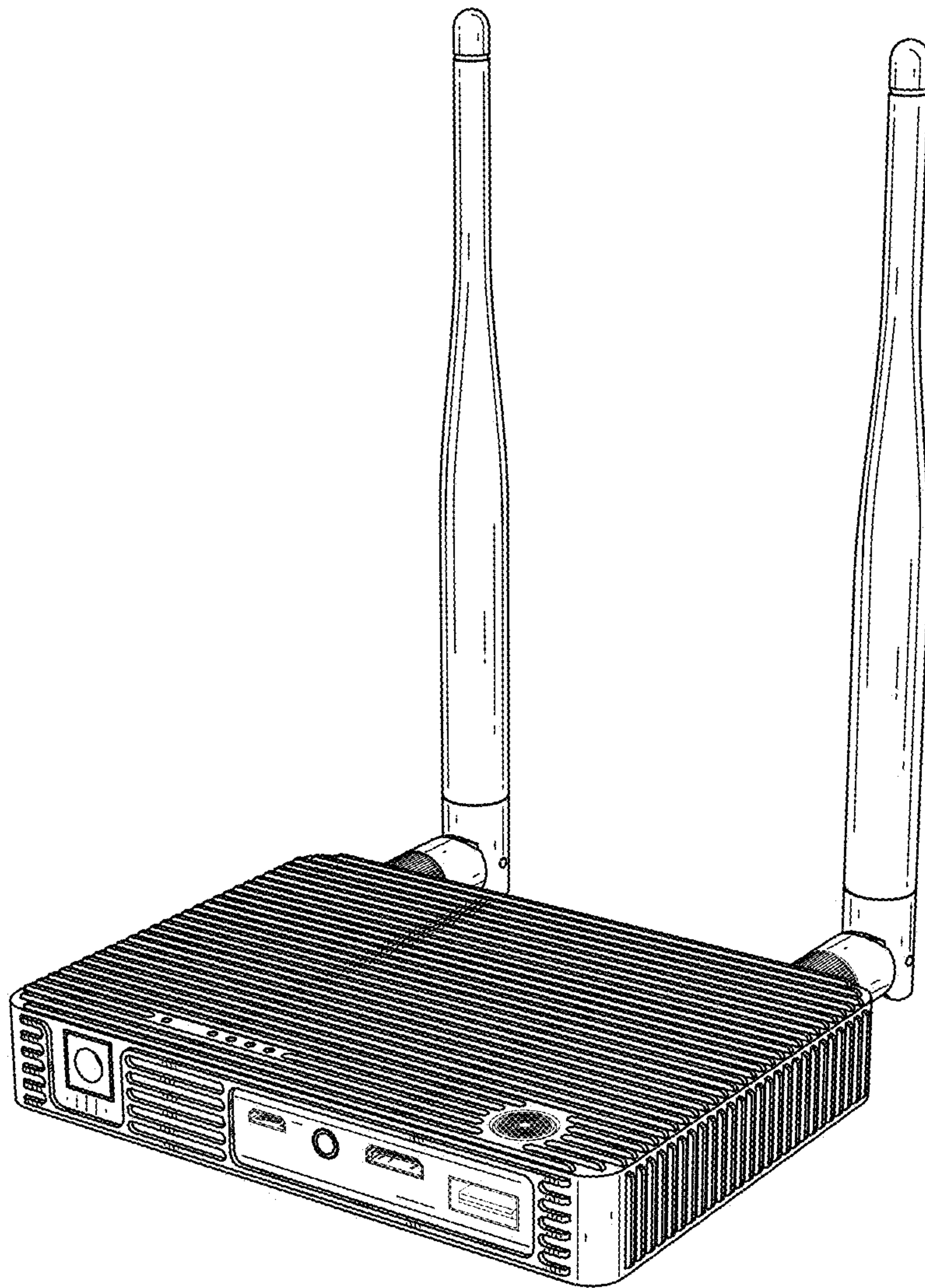


FIG. 1

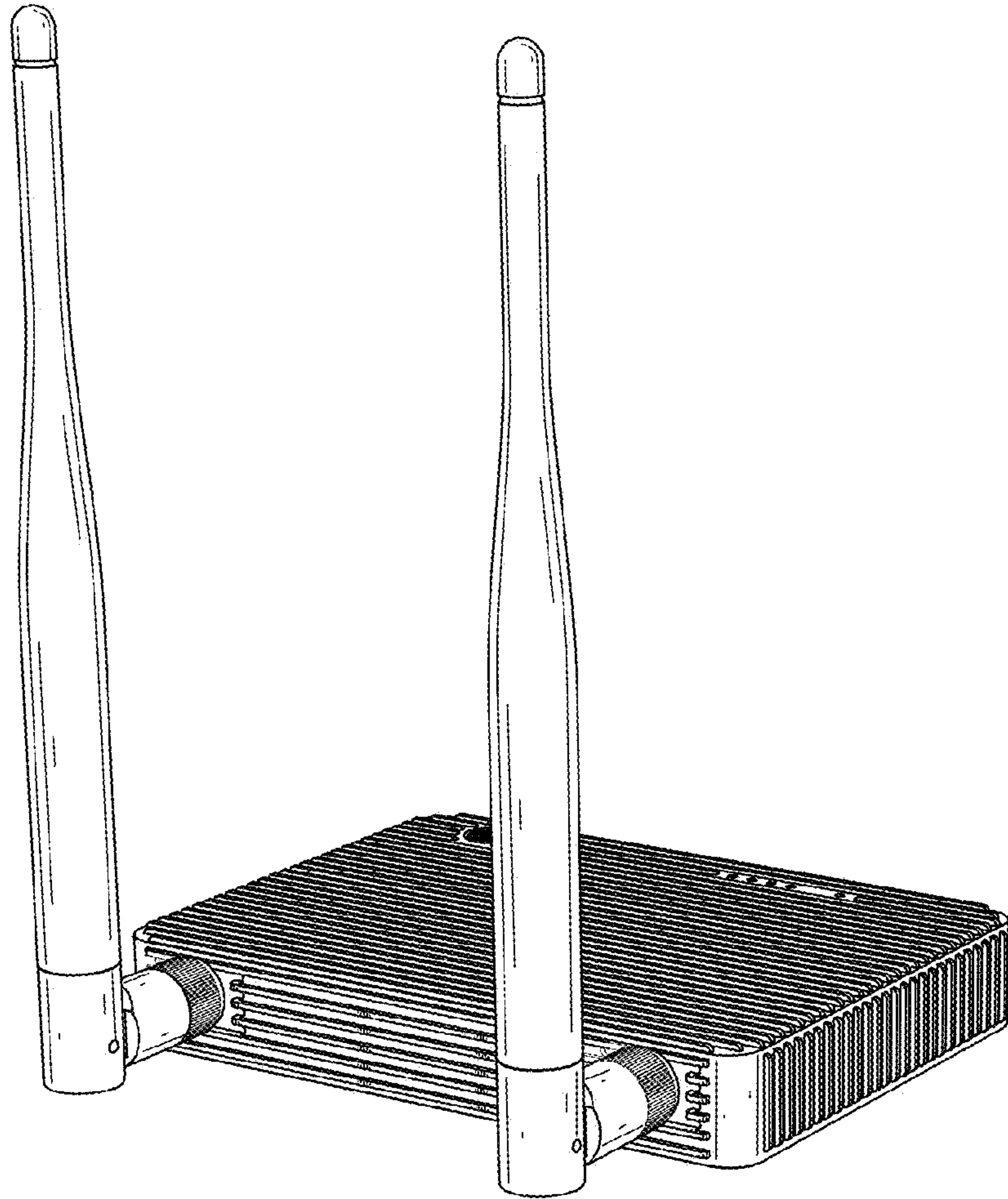


FIG. 2

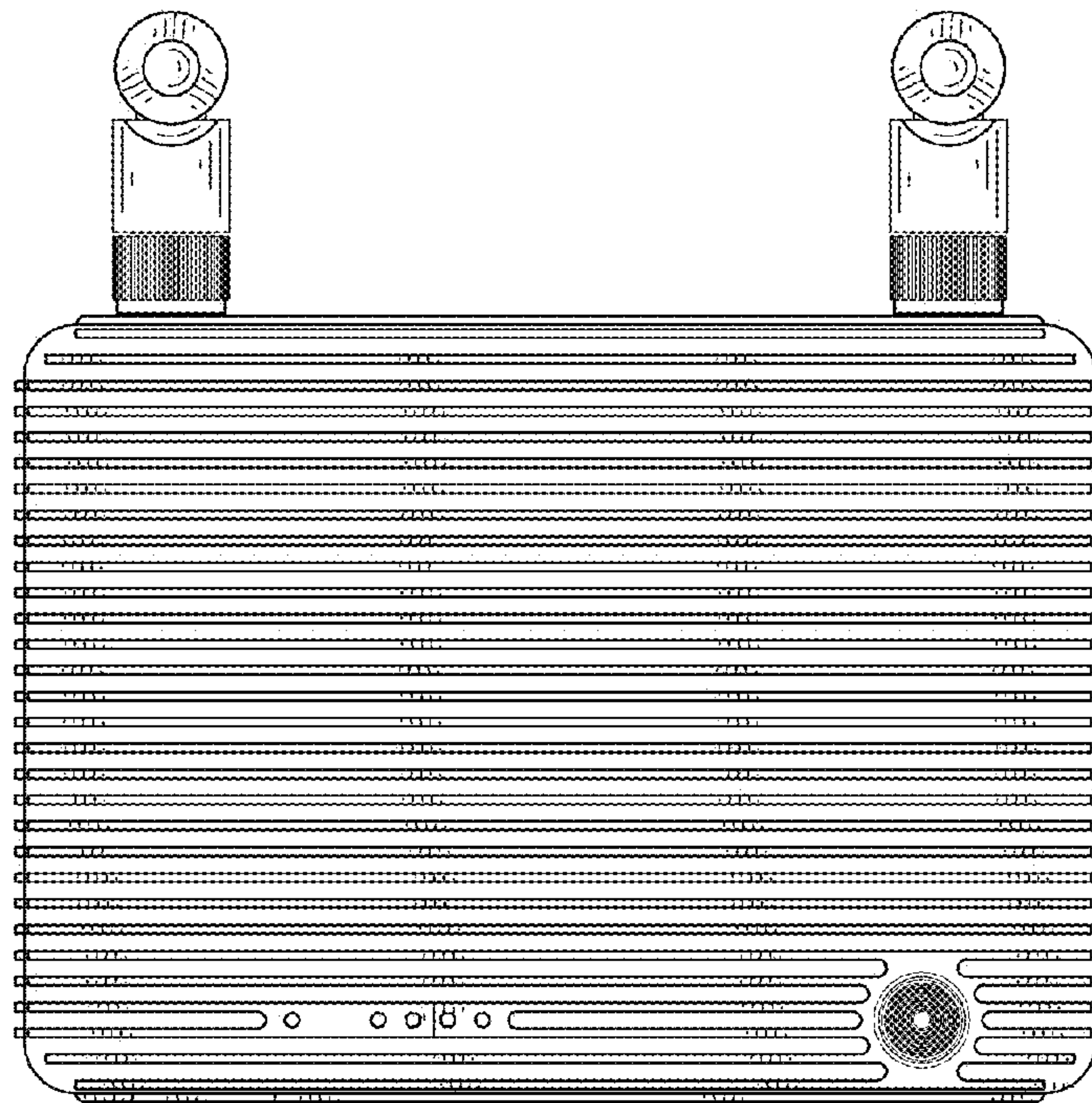


FIG. 3

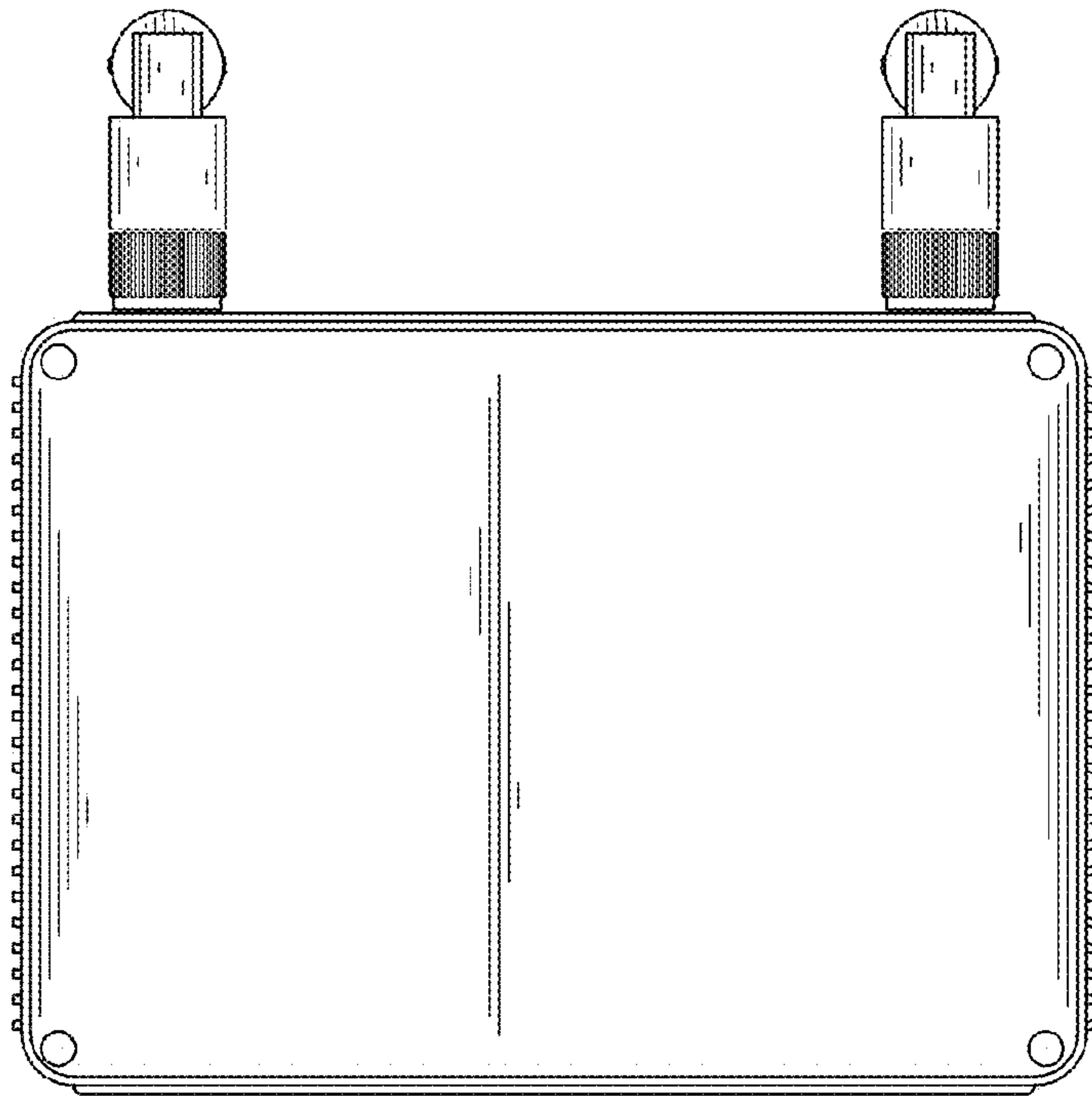


FIG. 4

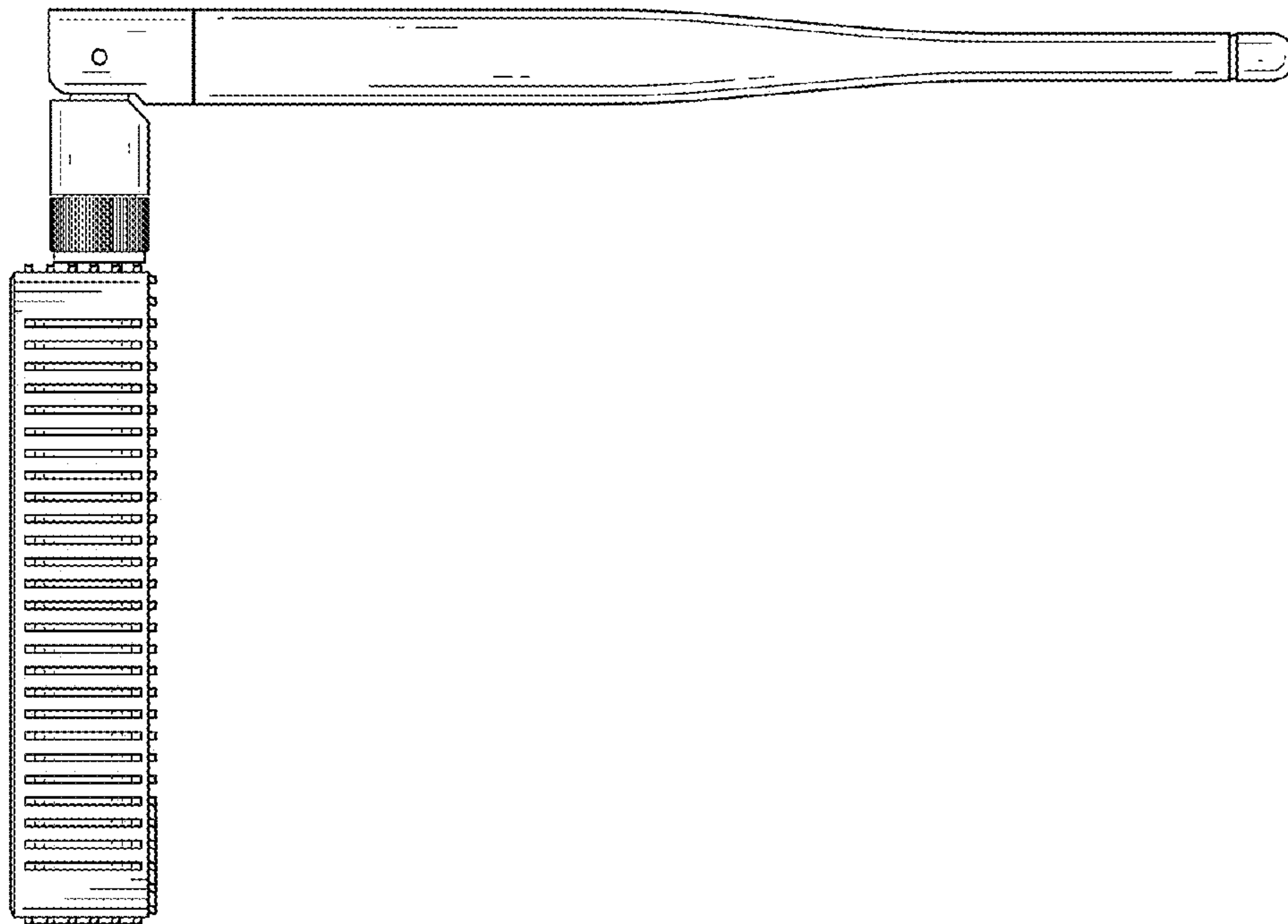


FIG. 5

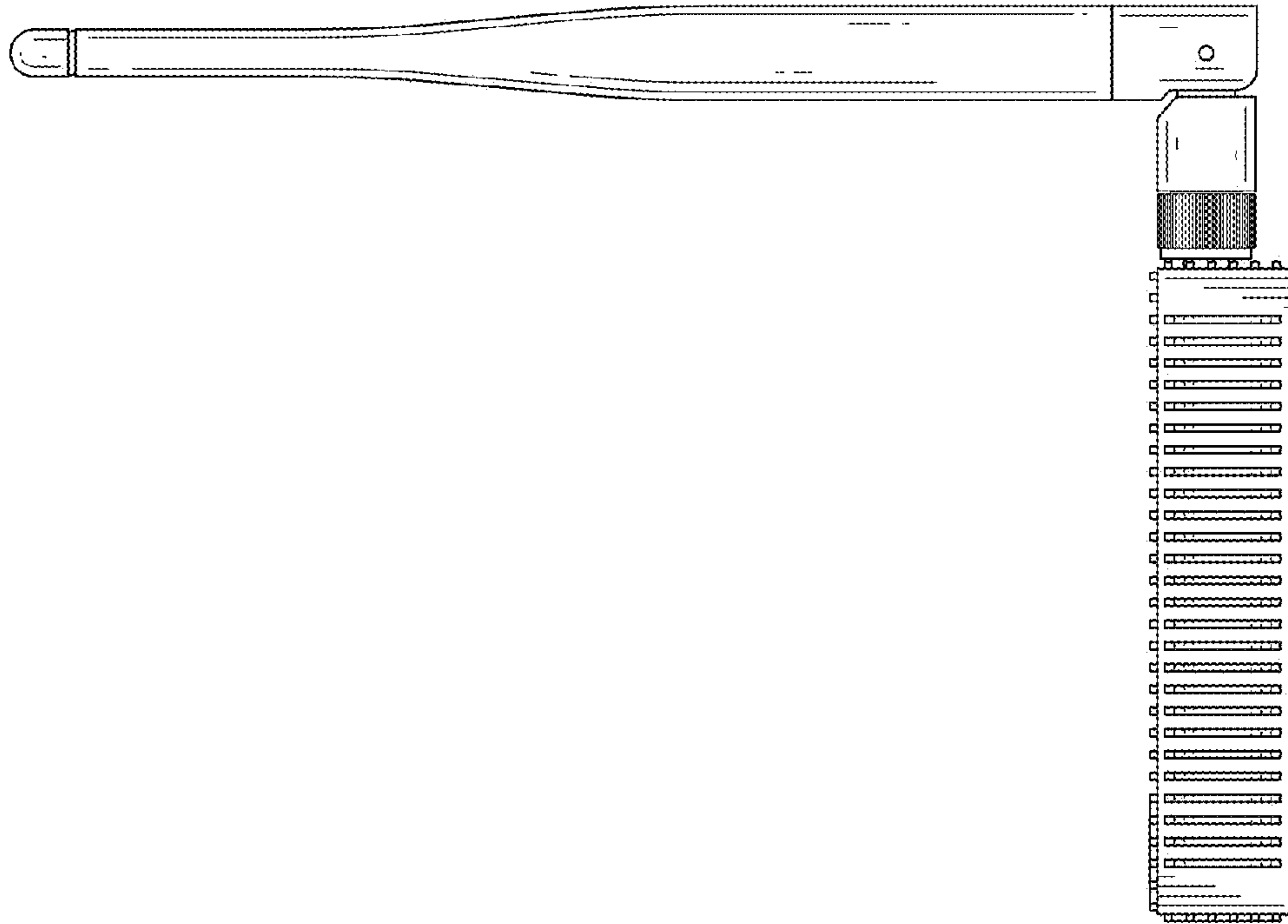


FIG. 6

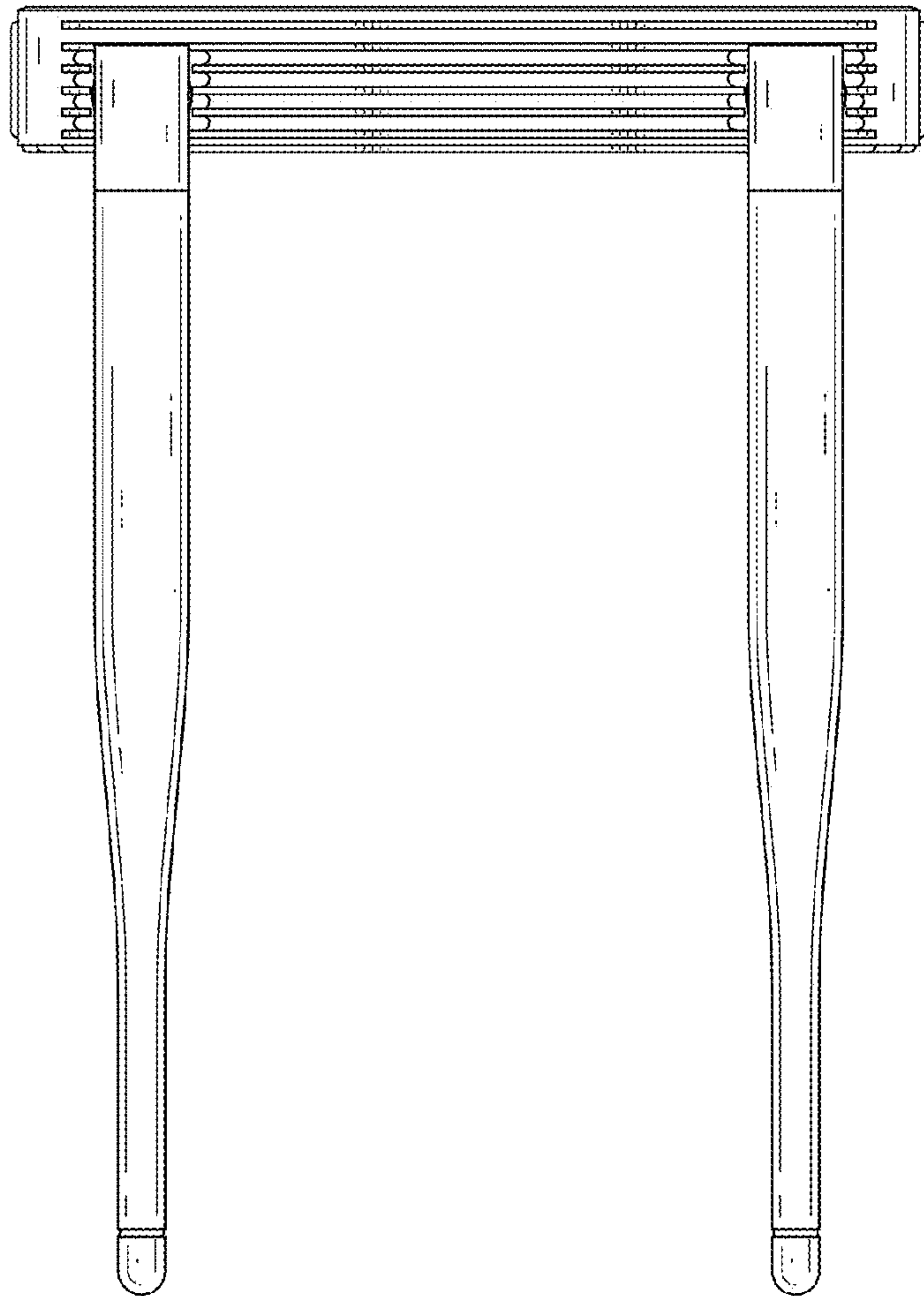


FIG. 7

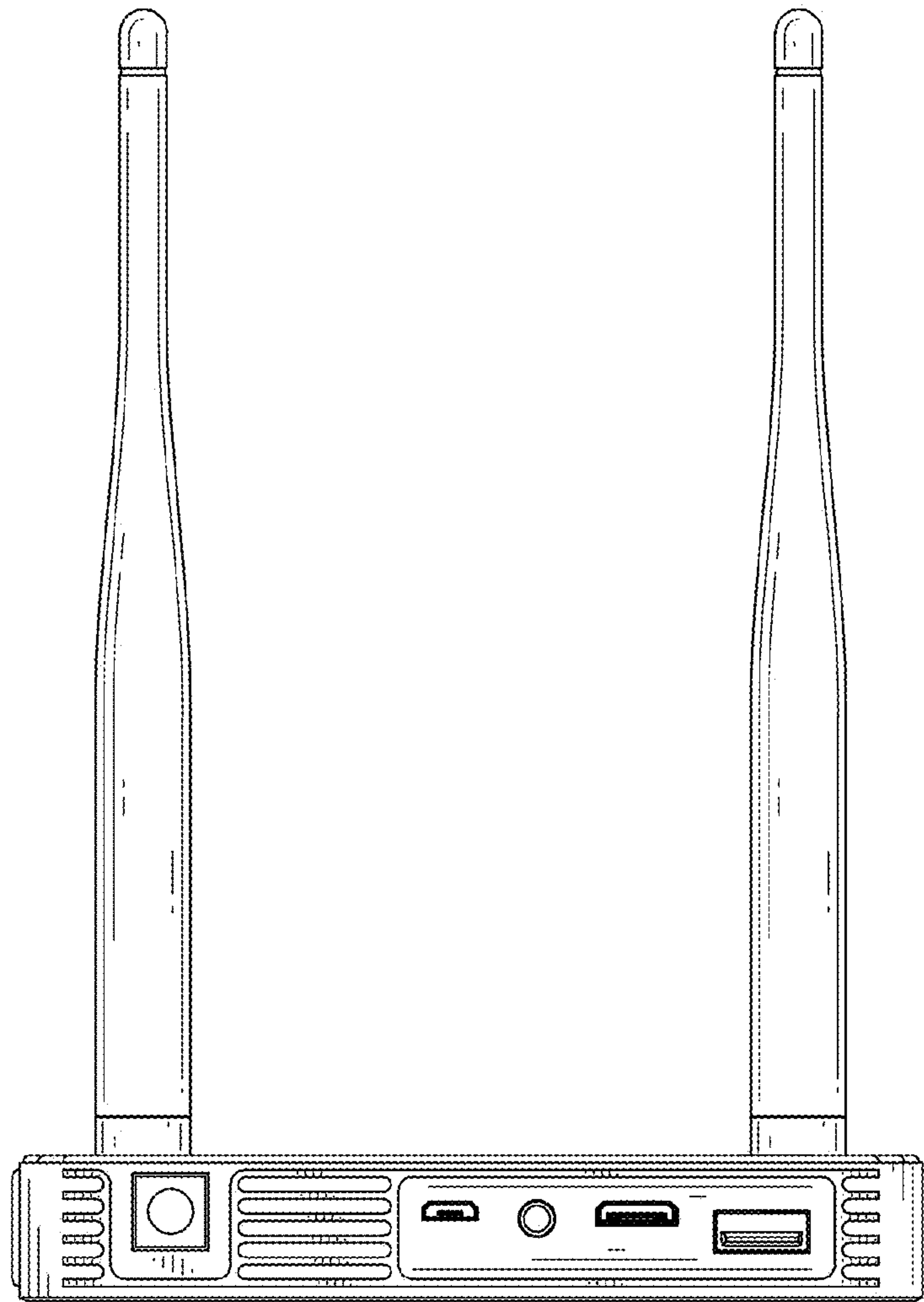


FIG. 8