



US00D766222S

(12) **United States Design Patent**
Chen et al.

(10) **Patent No.: US D766,222 S**

(45) **Date of Patent: ** Sep. 13, 2016**

(54) **SKY TERMINAL OF HIGH DEFINITION VIDEO DOWNLINK**

(71) Applicant: **SZ DJI TECHNOLOGY CO., LTD.**,
Shenzhen, Guangdong (CN)

(72) Inventors: **Shao-jie Chen**, Shenzhen (CN);
Deng-feng Hu, Shenzhen (CN)

(73) Assignee: **SZ DJI Technology Co., Ltd.**,
Shenzhen (CN)

(**) Term: **14 Years**

(21) Appl. No.: **29/500,178**

(22) Filed: **Aug. 22, 2014**

(30) **Foreign Application Priority Data**

Apr. 11, 2014 (CN) 2014 3 0086154

(51) **LOC (10) Cl.** **14-03**

(52) **U.S. Cl.**
USPC **D14/240**

(58) **Field of Classification Search**
USPC D14/240, 242, 125, 239, 357, 358,
D14/140-140.9, 155, 137, 139, 243, 433
CPC H04L 12/00; H03K 17/00; H04W 88/00;
H04W 88/005; H04W 88/02; H04W 88/08;
H04W 88/085; H04W 88/10; H04W 88/12;
H04W 88/14; H04B 1/38

See application file for complete search history.

(56) **References Cited**

U.S. PATENT DOCUMENTS

D311,389 S * 10/1990 Festa et al. D14/301
D461,798 S * 8/2002 Nagase D14/240
D530,315 S * 10/2006 Liu D14/240
D541,792 S * 5/2007 Liu et al. D14/240

D651,200 S * 12/2011 Sugime et al. D14/240
D669,059 S * 10/2012 Huang D14/240
D669,455 S * 10/2012 Huang D14/240
D705,719 S * 5/2014 Wong D13/103
D705,721 S * 5/2014 Huang D13/103
D705,762 S * 5/2014 Yu D14/240
D712,351 S * 9/2014 Zeng D13/108
D730,333 S * 5/2015 Matsumoto D14/240
D733,106 S * 6/2015 Frei et al. D14/240

OTHER PUBLICATIONS

DJI—Introducing the Lightbridge, published Feb. 10, 2014,
[online], [retrieved on Nov. 17, 2015]. Retrieved from Internet
,<URL: https://www.youtube.com/watch?v=1ZNI_zq_S2k>.*
DJI Lightbridge Full HD Video Downlink, published Feb. 24, 2014,
[online], [retrieved on Nov. 17, 2015]. Retrieved from Internet
,<URL: https://www.youtube.com/watch?v=yxdefvtkK0s>.*

* cited by examiner

Primary Examiner — Bridget L Eland

(74) *Attorney, Agent, or Firm* — Sterne, Kessler, Goldstein
& Fox P.L.L.C.

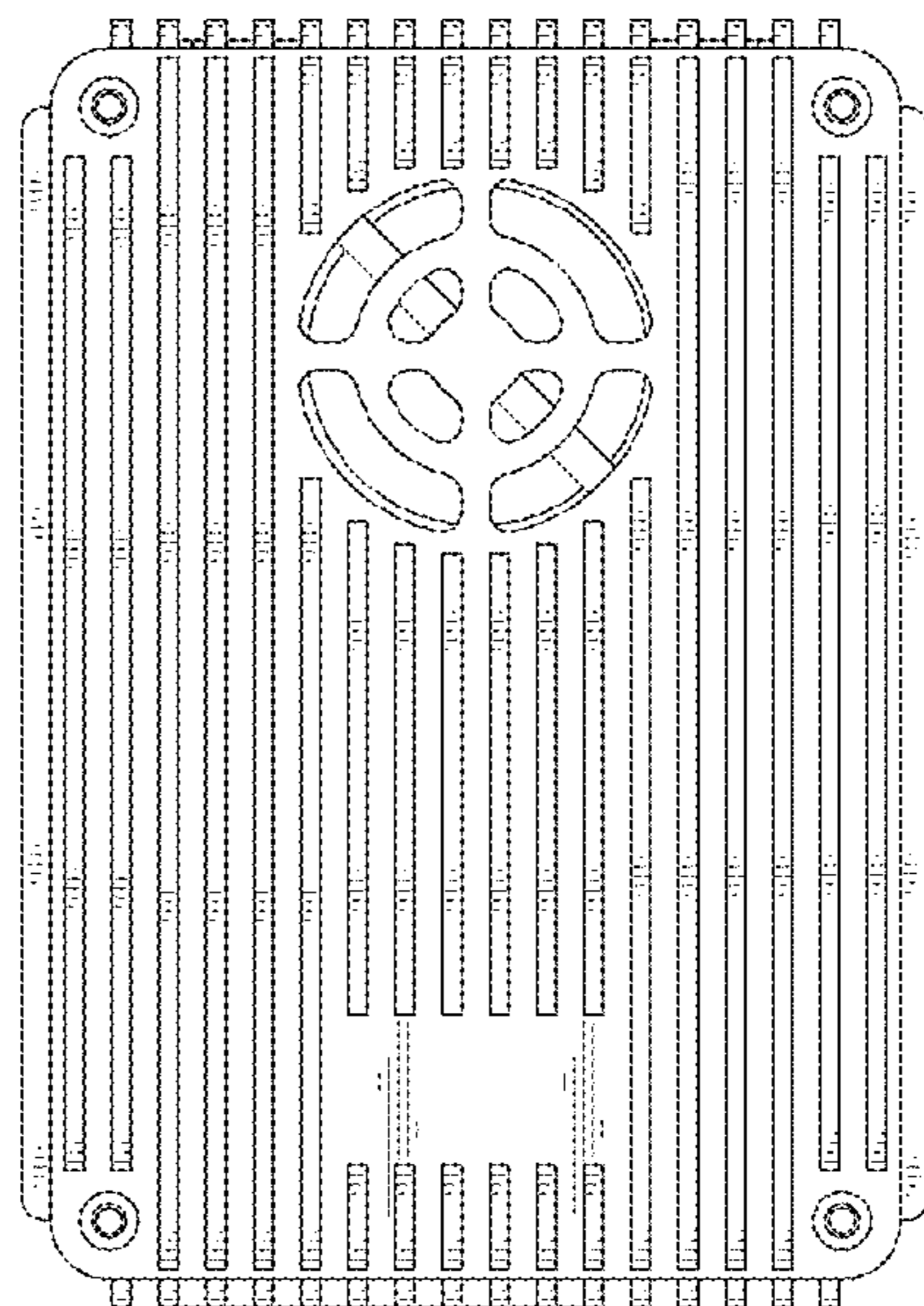
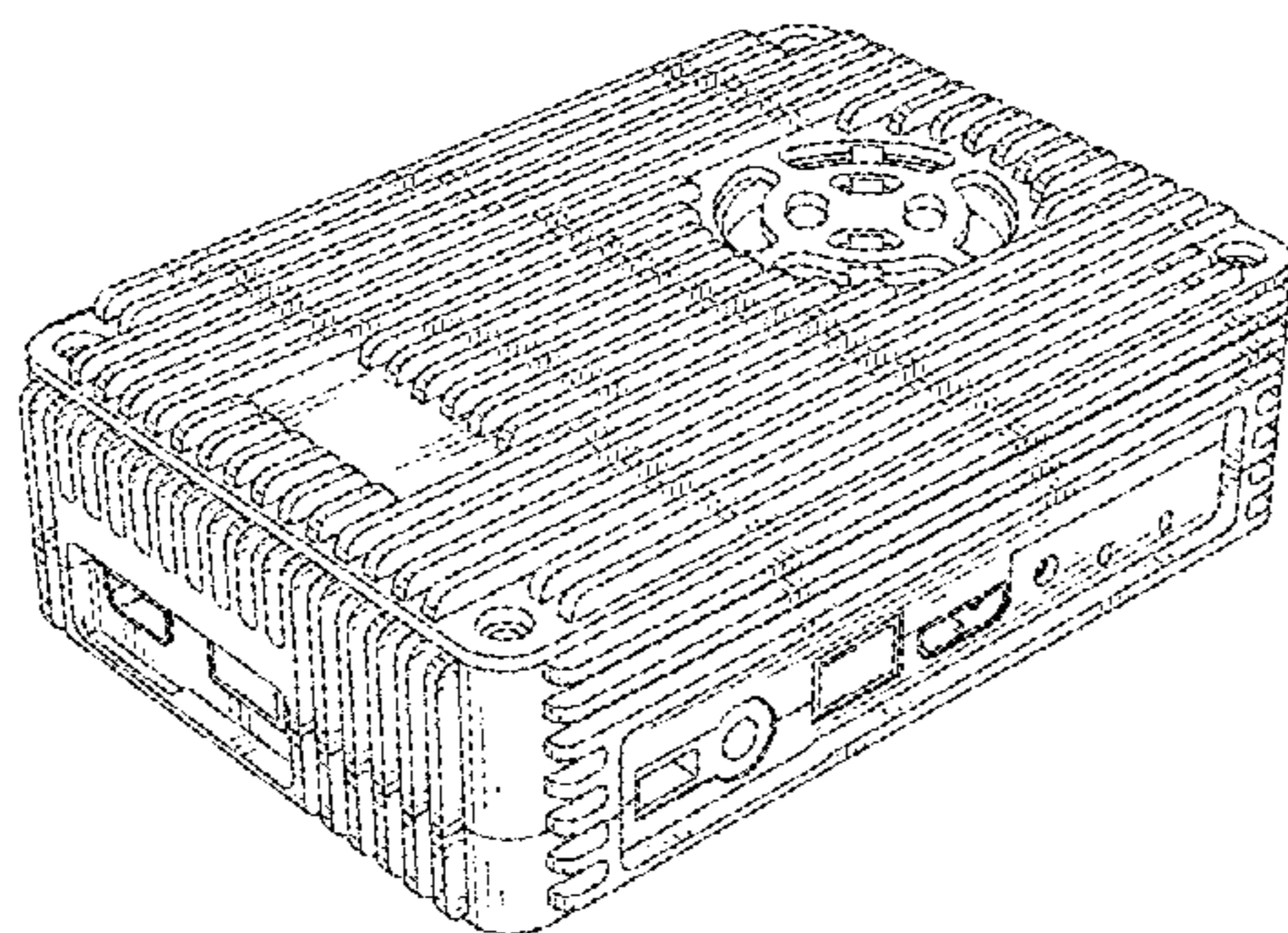
(57) **CLAIM**

The ornamental design for a sky terminal of high definition video downlink, as shown and described.

DESCRIPTION

FIG. 1 is a first perspective view of a sky terminal of high definition video downlink showing our new design;
FIG. 2 is a second perspective view thereof;
FIG. 3 is a front elevational view thereof;
FIG. 4 is a rear elevational view thereof;
FIG. 5 is a left side view thereof;
FIG. 6 is a right side view thereof;
FIG. 7 is a top plan view thereof; and,
FIG. 8 is a bottom plan view thereof.

1 Claim, 7 Drawing Sheets



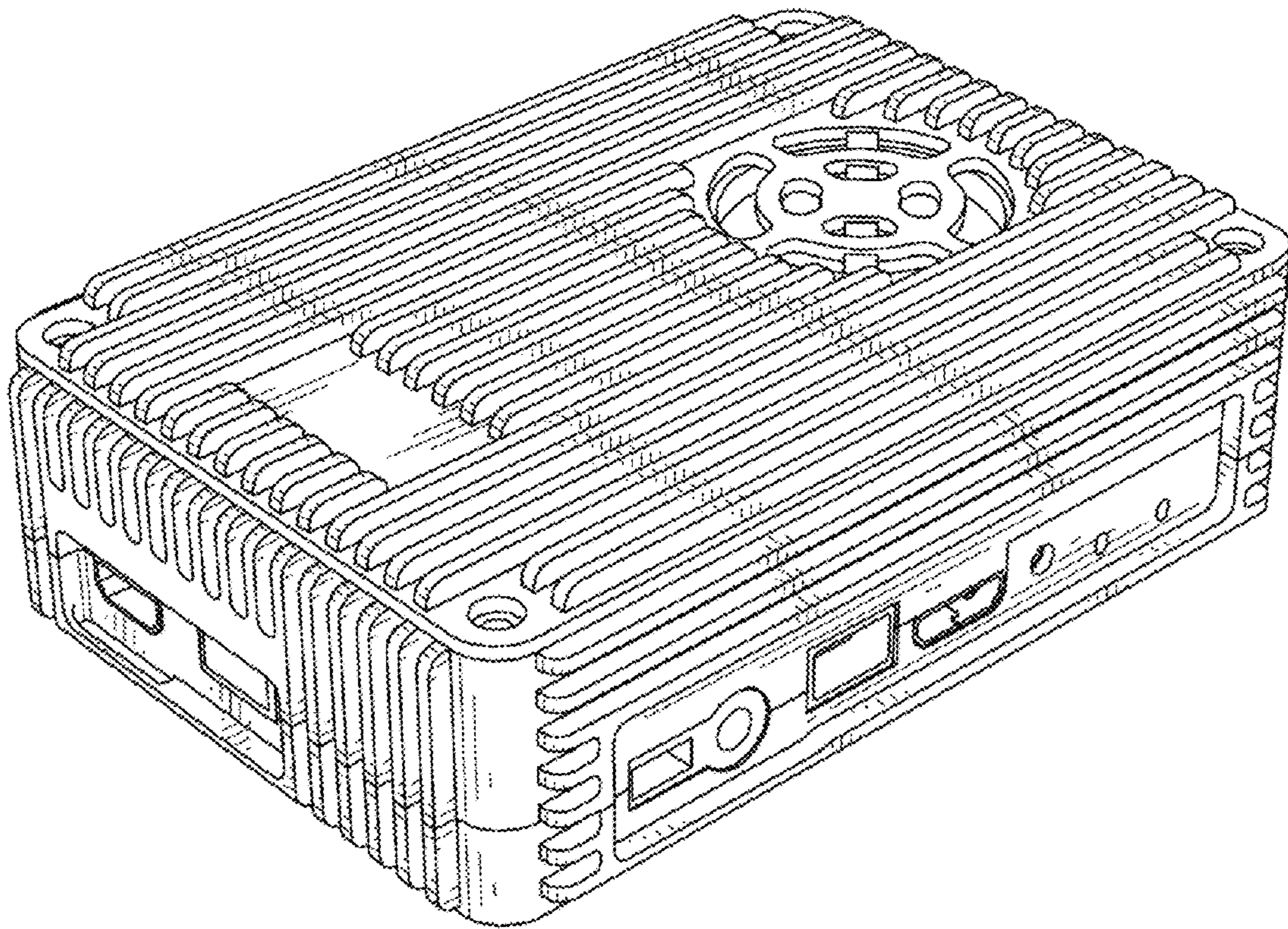


Fig. 1

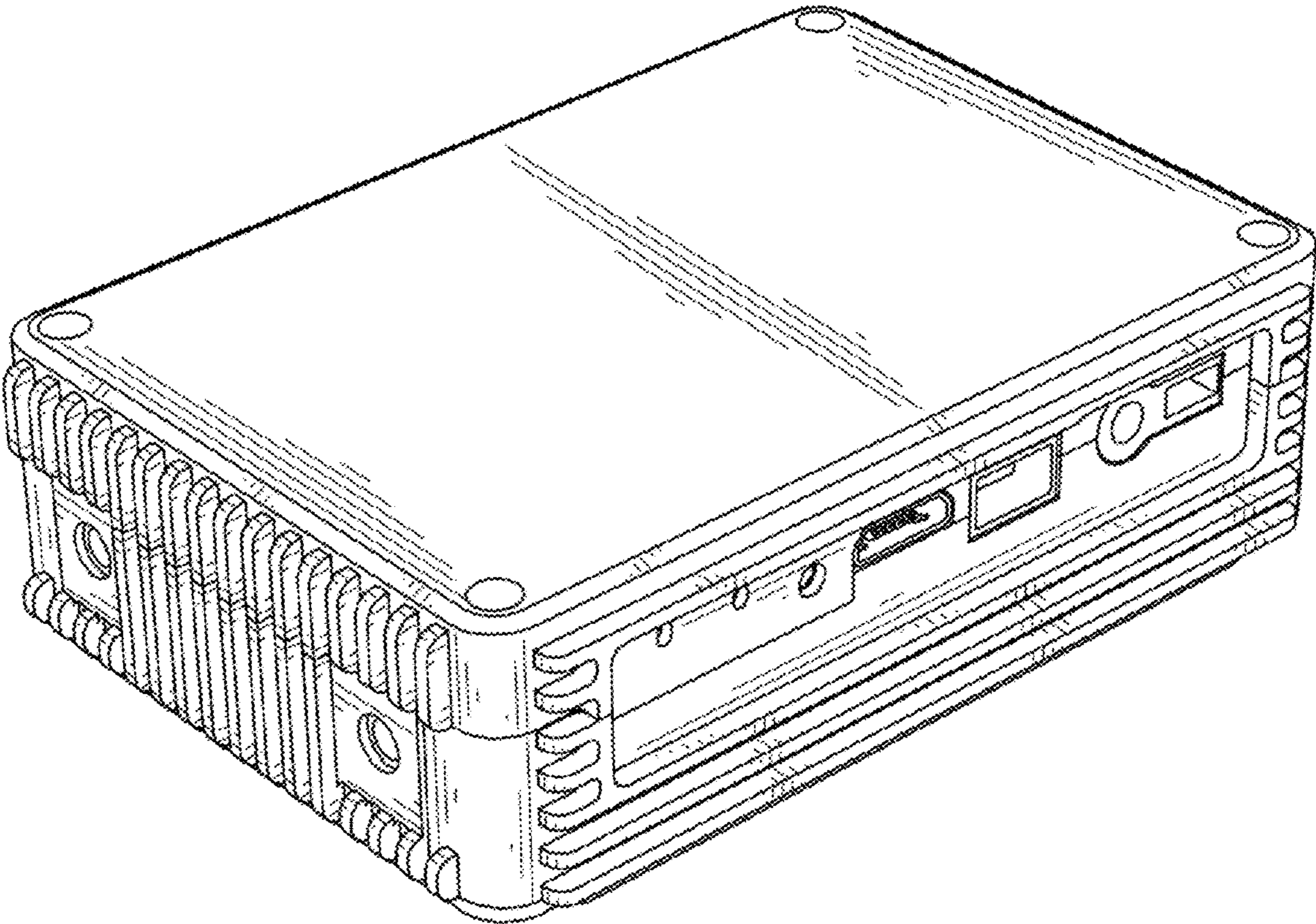


Fig. 2

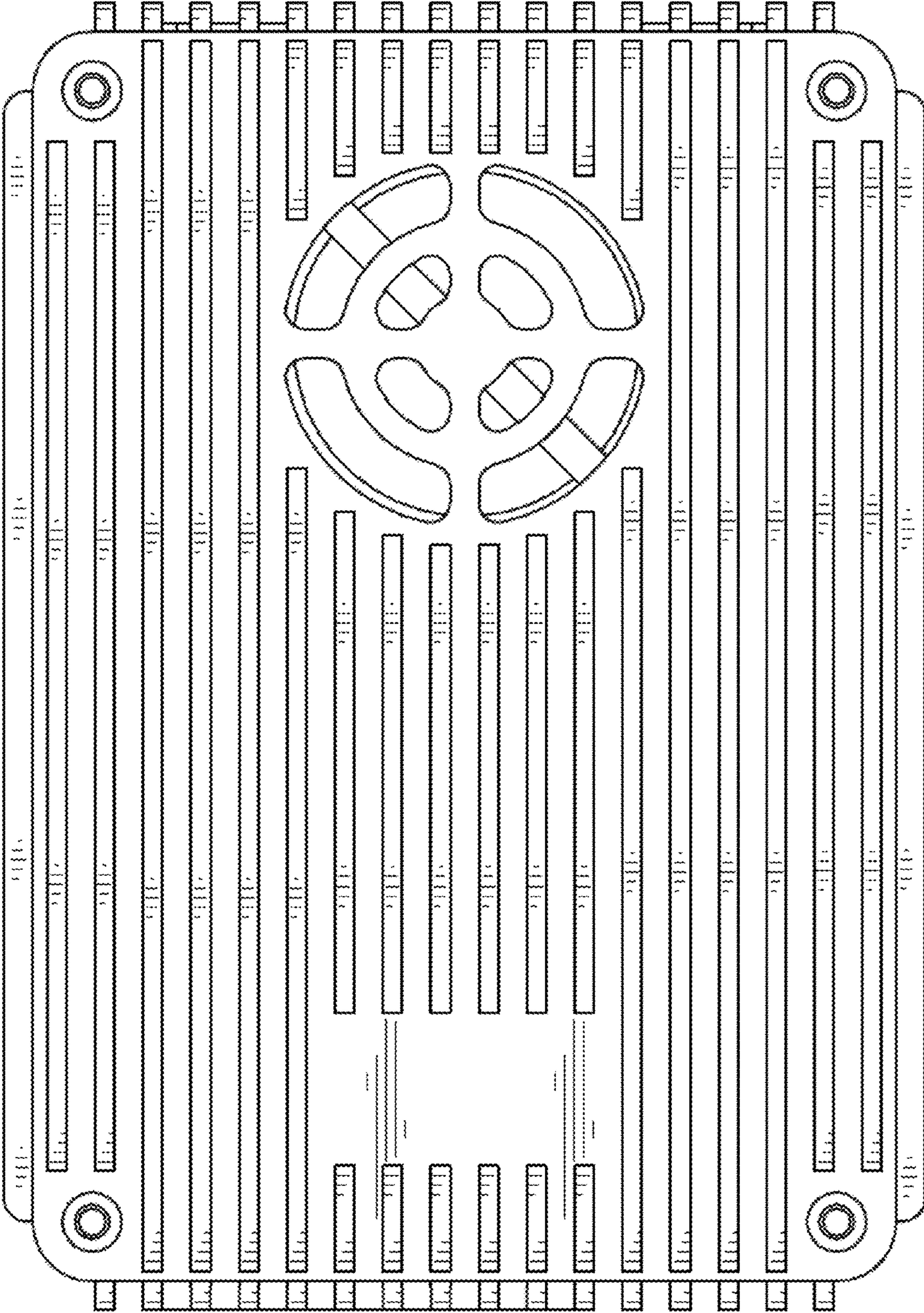


Fig. 3

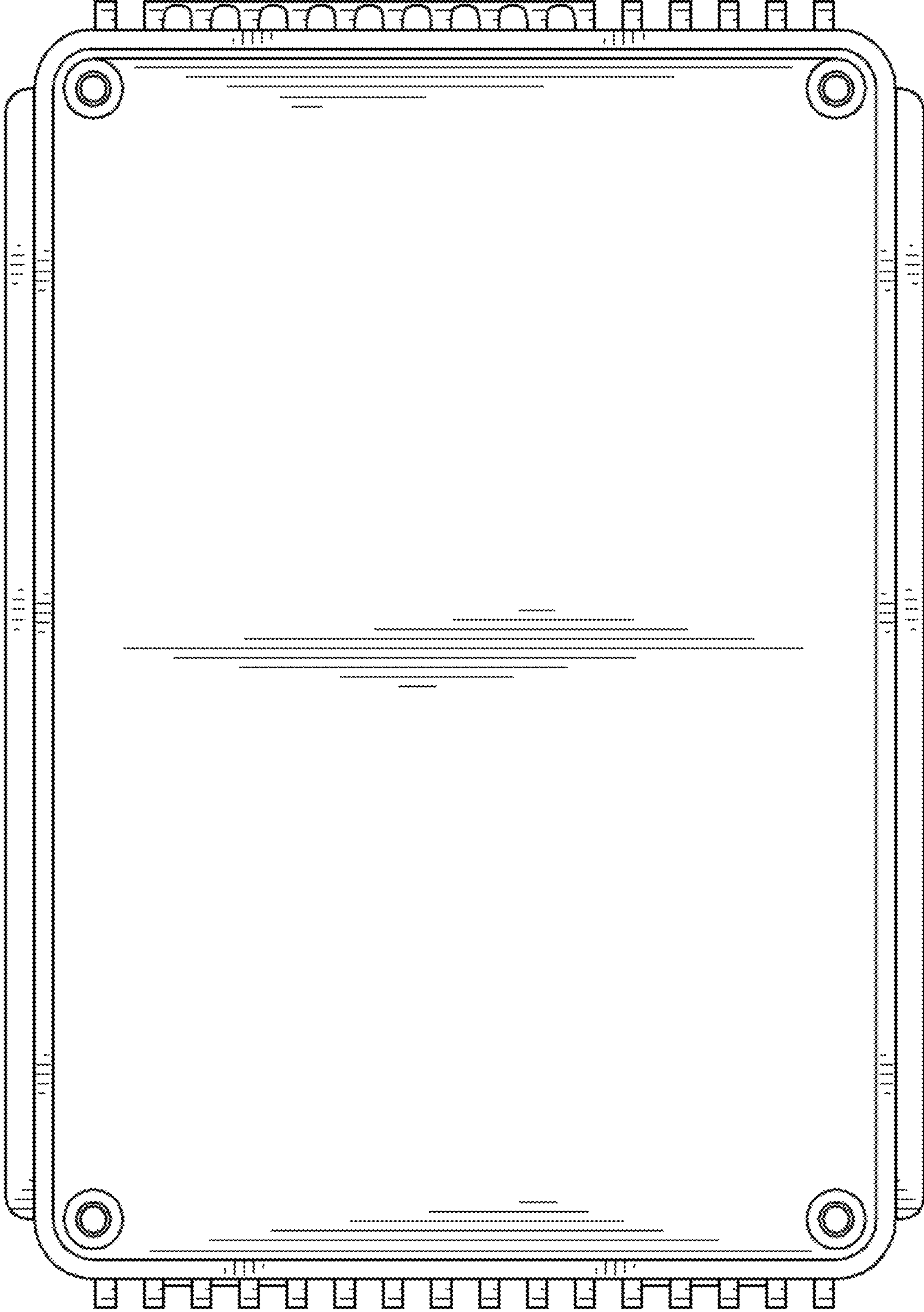


Fig. 4

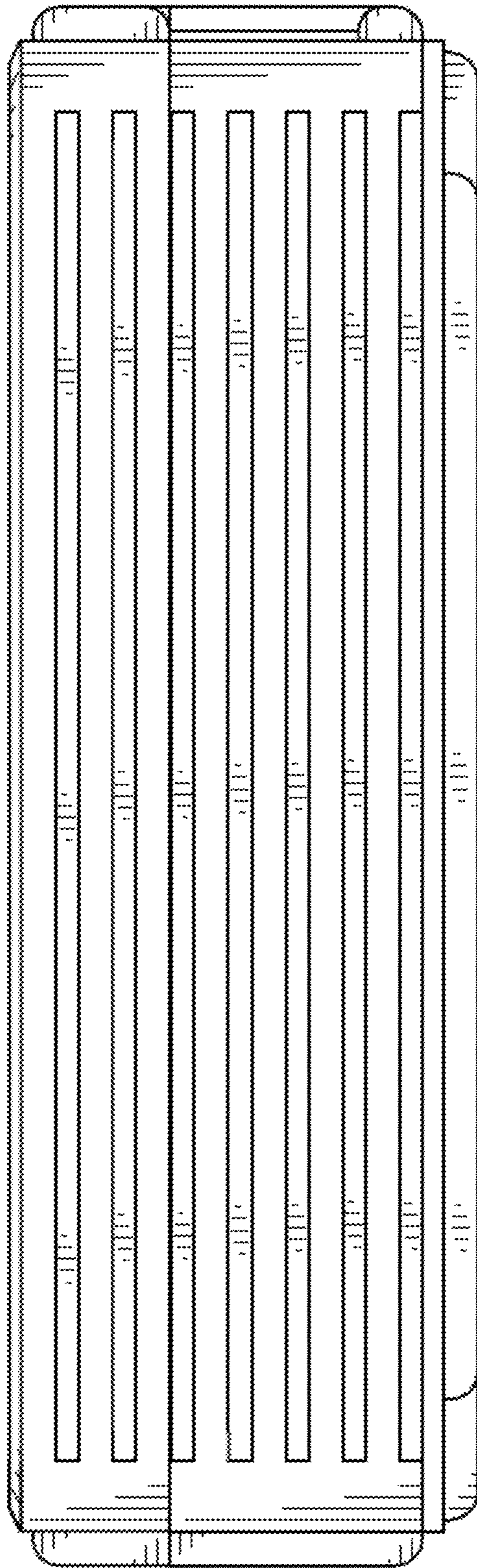


Fig. 5

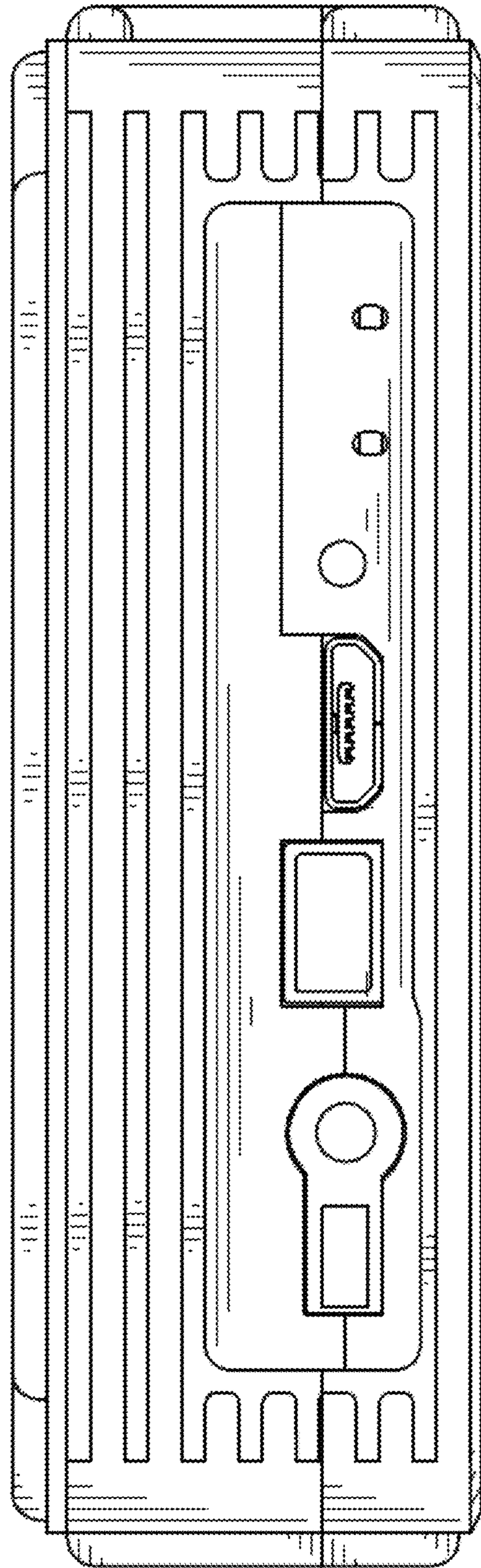


Fig. 6

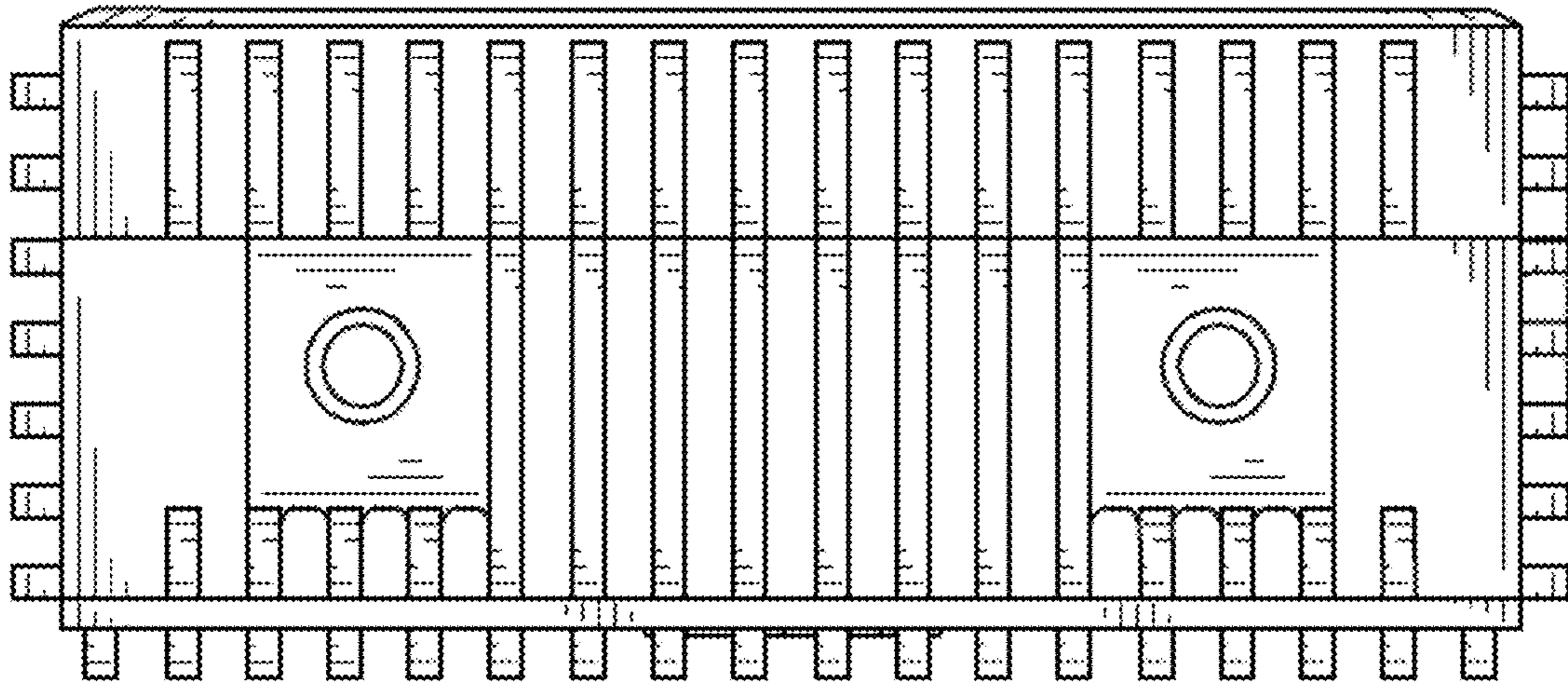


Fig. 7

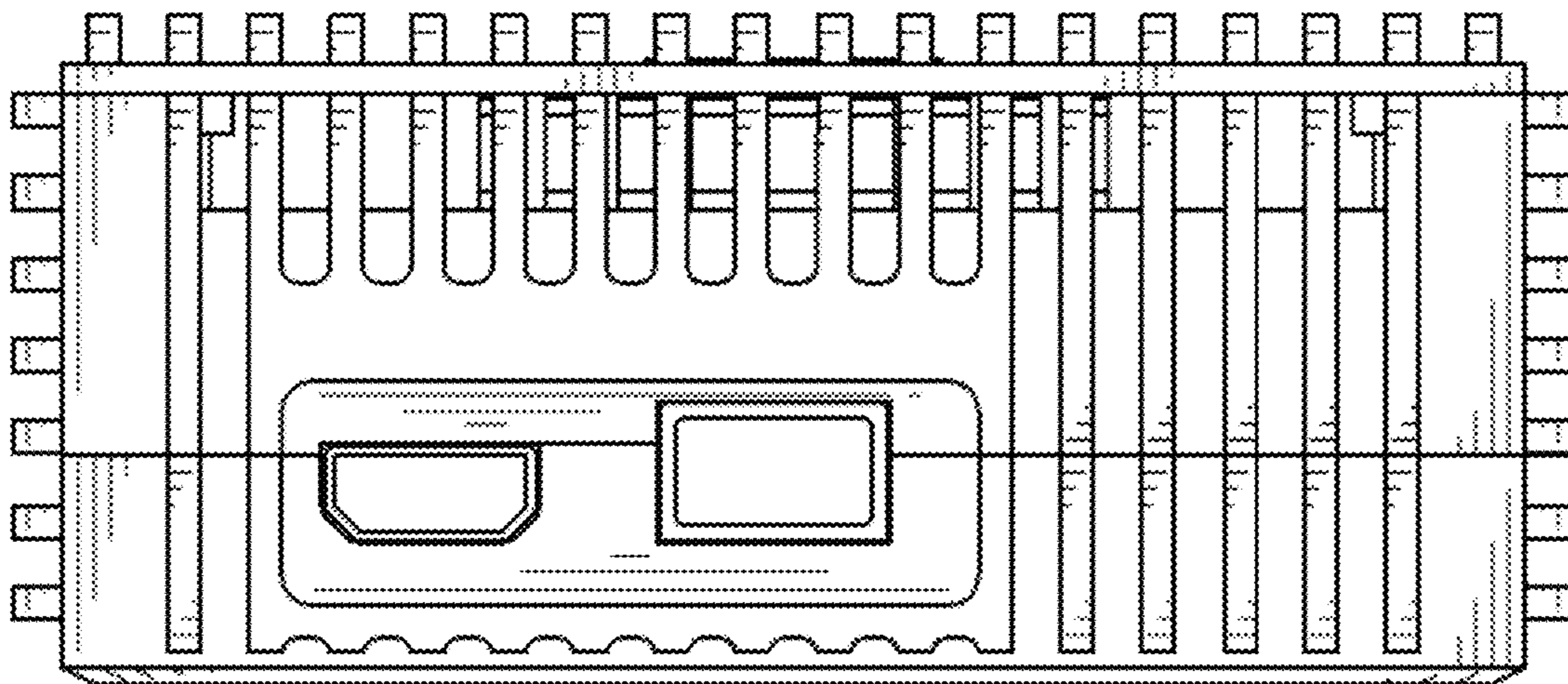


Fig. 8