



US00D766219S

(12) **United States Design Patent** (10) **Patent No.:** **US D766,219 S**
Yau et al. (45) **Date of Patent:** **** Sep. 13, 2016**

(54) **JACKET FOR A PORTABLE SPEAKER**

FOREIGN PATENT DOCUMENTS

(71) Applicant: **Fugoo Corporation**, Irvine, CA (US)

JP 1408180 S 1/2011

(72) Inventors: **Ho Koon Yau**, Yorba Linda, CA (US);
Alejandro Garfio, West Covina, CA (US);
Kit Mok, Lakewood, CA (US);
Howard Shi-How Cheng, Irvine, CA (US)

JP 1452612 S 9/2012

WO WO 2007/100706 9/2007

OTHER PUBLICATIONS

(73) Assignee: **Fugoo Corporation**, Irvine, CA (US)

Libratone Live Wireless Airplay Speakers, <https://shop.libratone.com/en-us/wireless-airplay-speakers/libratone-live/c-54/c-288/p-207/>, retrieved on Jan. 6, 2014.

(Continued)

(**) Term: **15 Years**

Primary Examiner — Prabhakar Deshmukh

(21) Appl. No.: **29/536,265**

(74) *Attorney, Agent, or Firm* — Knobbe Martens Olson & Bear LLP

(22) Filed: **Aug. 14, 2015**

Related U.S. Application Data

(62) Division of application No. 29/476,074, filed on Dec. 10, 2013, now Pat. No. Des. 736,745.

(51) **LOC (10) Cl.** **14-01**

(52) **U.S. Cl.**

USPC **D14/221**; D14/209.1

(58) **Field of Classification Search**

USPC D14/204, 204.1, 210–216, 434, 265,
D14/221, 209, 168, 170–172, 194–196;
181/143, 144, 147, 148, 150–153, 157,
181/198, 199; 381/300–306, 332, 333, 336,
381/345, 361–364

CPC B60R 11/0217; G06F 1/1688; H04M 1/035;
H04R 1/02; H04R 11/026; H04R 1/323;
H04R 2400/00

See application file for complete search history.

(56) **References Cited**

U.S. PATENT DOCUMENTS

4,439,644 A * 3/1984 Bruney, III G10K 11/002
181/151

4,805,729 A * 2/1989 Wascom H04R 1/26
181/144

(Continued)

(57) **CLAIM**

The ornamental design for a jacket for a portable speaker, as shown and described.

DESCRIPTION

FIG. 1 is a top, front and side perspective view of a jacket for a portable speaker embodying my new design.

FIG. 2 is a bottom, back and side perspective view thereof.

FIG. 3 is a back view thereof.

FIG. 4 is a front view thereof.

FIG. 5 is a bottom view thereof

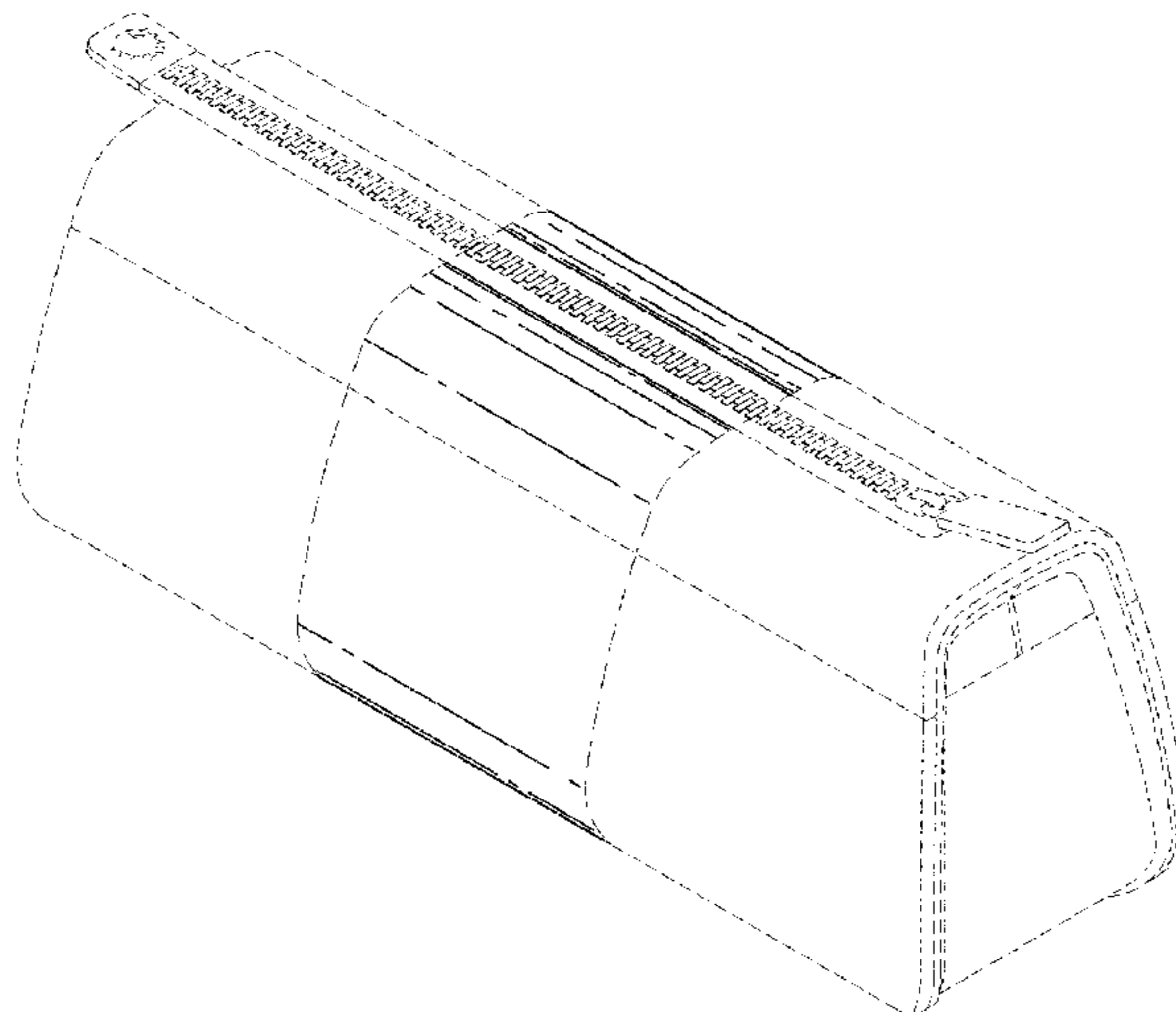
FIG. 6 is a top view thereof.

FIG. 7 is a first side view thereof; and,

FIG. 8 is a second side view thereof.

Broken lines are used to illustrate features of the jacket for a portable speaker which form no part of the claimed design. In FIGS. 1, 2, and 5-8 the jacket is shown surrounding a portable speaker which represents environmental use and forms no part of the claimed design. The larger dash-dash line represents a boundary line and forms no part of the claimed design.

1 Claim, 7 Drawing Sheets



(56)

References Cited

U.S. PATENT DOCUMENTS

| | | | | |
|--------------|-----|---------|----------------------|---------|
| 6,035,962 | A | 3/2000 | Lin | |
| D471,178 | S * | 3/2003 | Jordan | D14/212 |
| 6,665,412 | B1 | 12/2003 | Mizoguchi | |
| D503,676 | S * | 4/2005 | Krieger | D13/110 |
| 6,910,548 | B2 | 6/2005 | Powell | |
| D507,395 | S * | 7/2005 | Choi | D2/925 |
| 7,155,026 | B2 | 12/2006 | Augustin, Sr. et al. | |
| D534,897 | S | 1/2007 | Bhakta | |
| 7,221,772 | B2 | 5/2007 | Evenisse et al. | |
| 7,242,785 | B2 | 7/2007 | McNary | |
| D551,208 | S | 9/2007 | Yano | |
| D552,081 | S | 10/2007 | Yano | |
| D553,120 | S | 10/2007 | Yano | |
| 7,469,052 | B2 | 12/2008 | Peavey | |
| 7,764,806 | B2 | 7/2010 | Pei et al. | |
| D621,383 | S | 8/2010 | Hou | |
| D646,665 | S | 10/2011 | Iijima | |
| 8,090,137 | B2 | 1/2012 | Ryan | |
| 8,194,897 | B2 | 6/2012 | Choi | |
| D673,525 | S | 1/2013 | Goetzen et al. | |
| 8,351,638 | B2 | 1/2013 | Park | |
| 8,406,449 | B2 | 3/2013 | Wegener | |
| D705,753 | S | 5/2014 | Kimura | |
| D710,332 | S | 8/2014 | Baird et al. | |
| D733,099 | S | 6/2015 | Pupecki et al. | |
| D735,168 | S | 7/2015 | Cheng et al. | |
| D736,745 | S | 8/2015 | Yau et al. | |
| D736,746 | S | 8/2015 | Cheng et al. | |
| D736,747 | S | 8/2015 | Yau et al. | |
| 2009/0161903 | A1 | 6/2009 | White | |
| 2013/0177196 | A1 | 7/2013 | Lee | |

OTHER PUBLICATIONS

Libratone Zipp, http://reviews.cnet.com/bluetooth-speakers/libratone-zipp-gray/4505-34810_7-35530587.html?autoplay=true, CNET review date of Nov. 12, 2012, retrieved on Jan. 8, 2014.

JBL Flip, http://reviews.cnet.com/bluetooth-speakers/jbl-flip-black/4505-34810_7-35550919.html, CNET review date of Dec. 21, 2012, retrieved on Jan. 6, 2014.

Jawbone Jambox, http://reviews.cnet.com/portable-speakers/jawbone-jambox-black-diamond/4505-11313_7-34207708.html, CNET review date of Nov. 4, 2010, retrieved on Jan. 6, 2014.

Jawbone Big Jambox, http://reviews.cnet.com/bluetooth-speakers/jawbone-big-jambox-graphite/4505-34810_7-35244085.html, CNET review date of Apr. 30, 2012, retrieved on Jan. 6, 2014.

Logitech UE Boom, http://reviews.cnet.com/portable-speakers/logitech-ue-boom-blue/4505-11313_7-35765418.html, CNET review date of Jun. 18, 2013, retrieved on Jan. 6, 2014.

JBL Charge, http://reviews.cnet.com/portable-speakers/jbl-charge-blue/4505-11313_7-35613369.html, CNET review date of Apr. 8, 2013, retrieved on Jan. 6, 2014.

Beats Pill, http://reviews.cnet.com/portable-speakers/beats-pill-black/4505-11313_7-35493112.html, CNET review date of Nov. 21, 2012, retrieved on Jan. 6, 2014.

Jawbone Mini Jambox, <http://www.bestbuy.com/site/jawbone-mini-jambox-wireless-speaker-blue-diamond/1584782.p?id=1219056361326&skuld=1584782>, retrieved on Mar. 13, 2015.

Jensen Bluetooth Wireless Stereo Speaker, <http://www.bestbuy.com/site/jensen-bluetooth-wireless-stereo-speaker-black/6544488.p?id=1218748100411&skuld=6544488>, retrieved on Mar. 13, 2015.

* cited by examiner

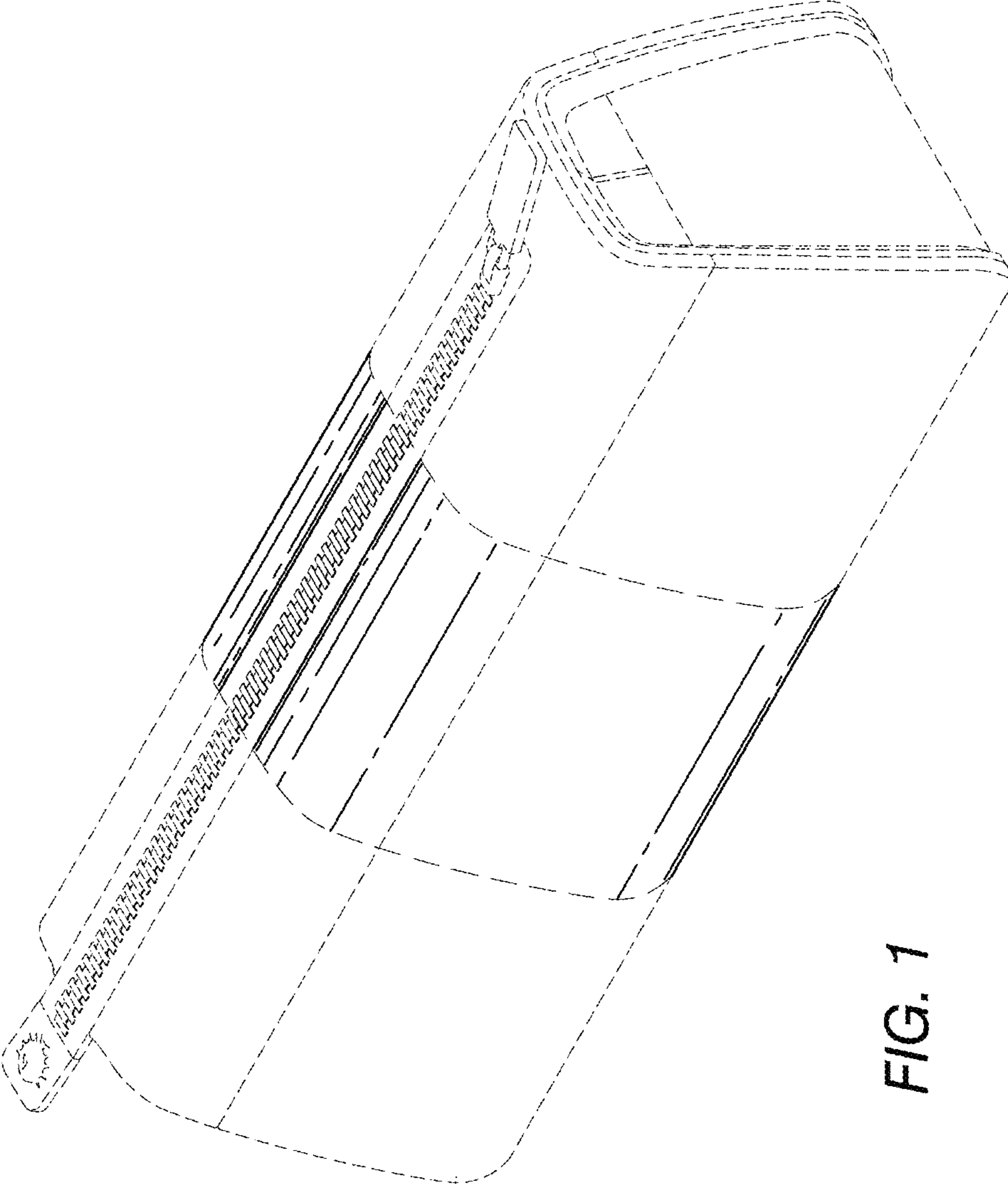


FIG. 1

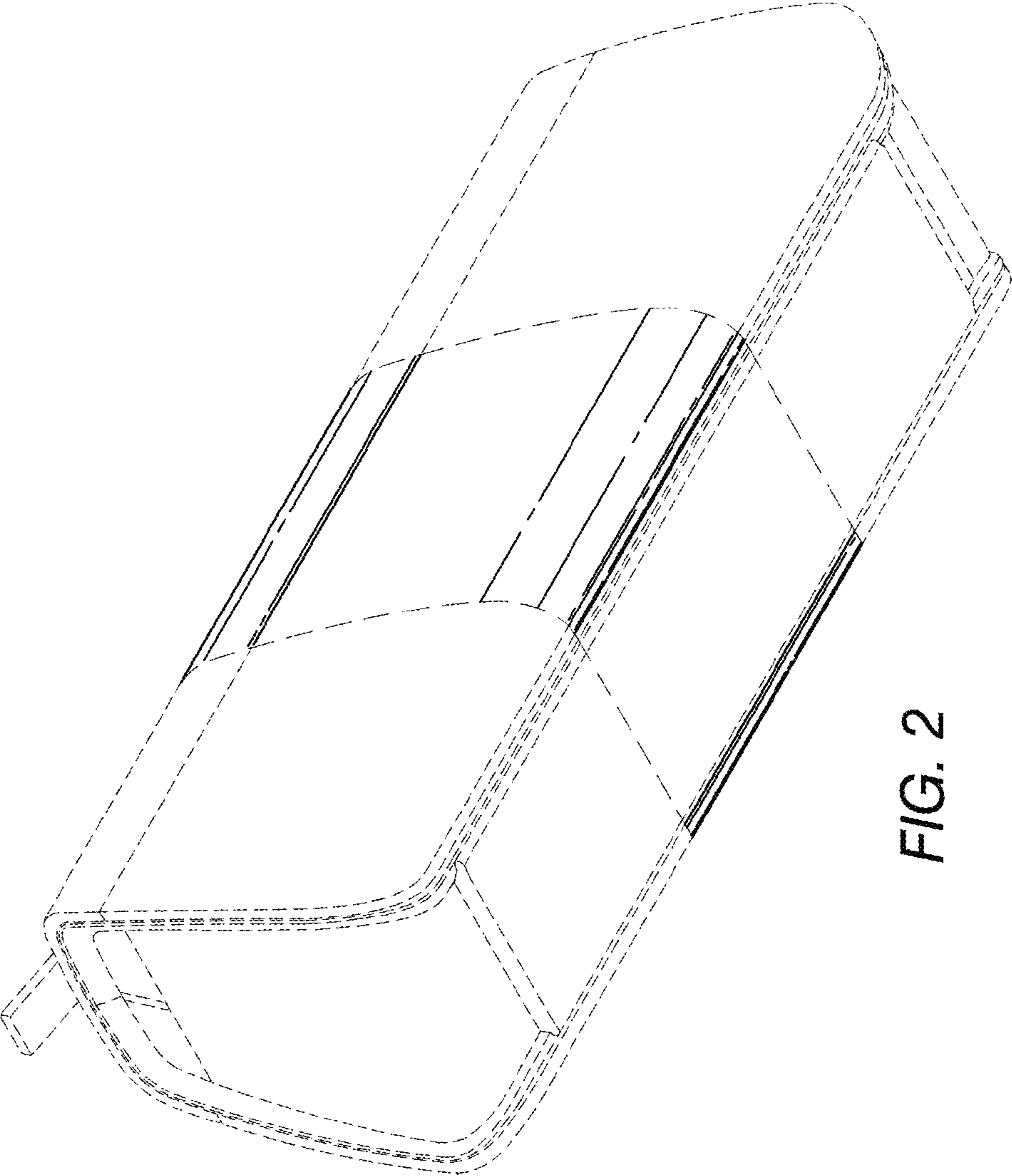


FIG. 2

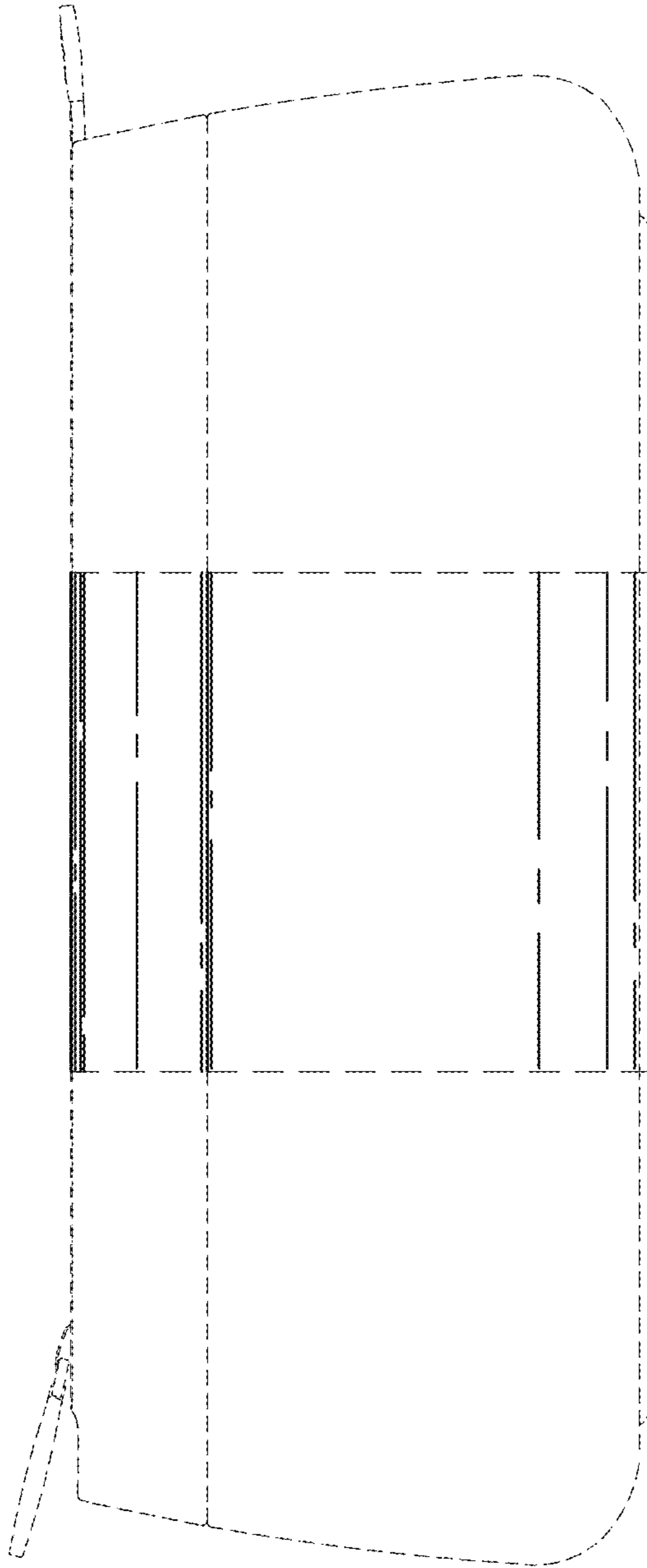


FIG. 3

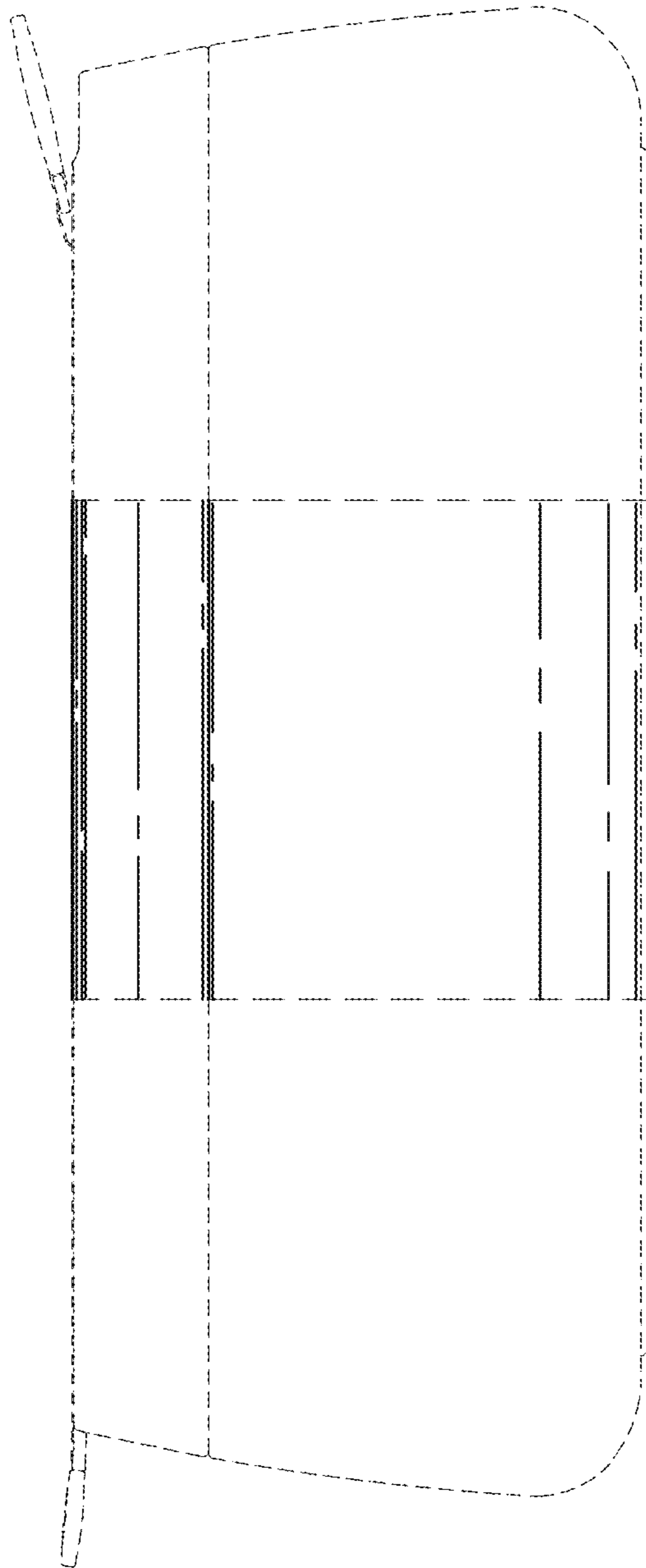


FIG. 4

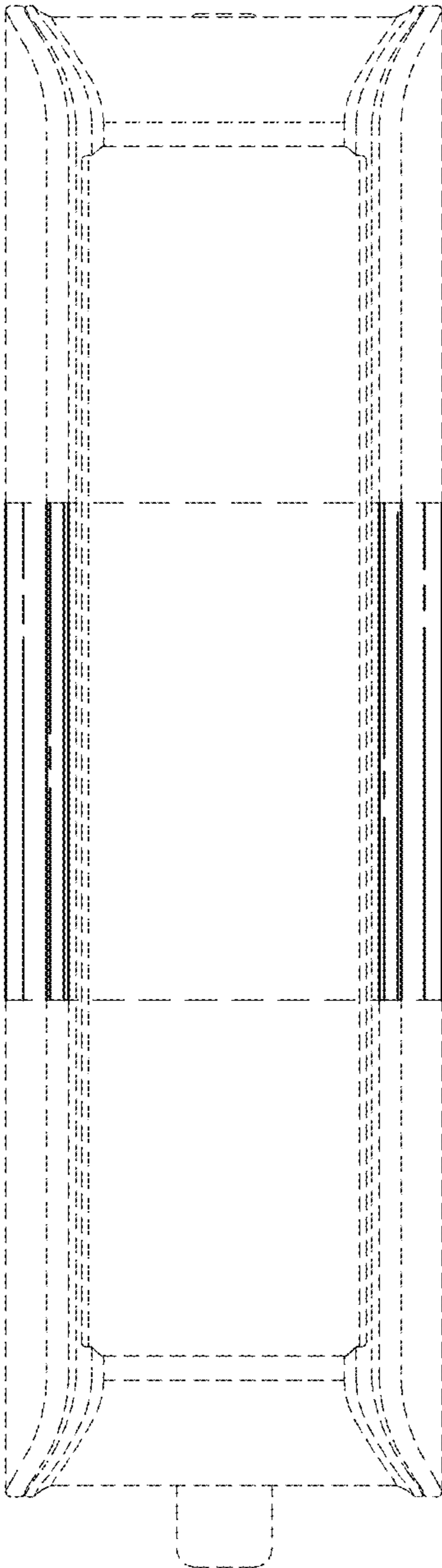


FIG. 5

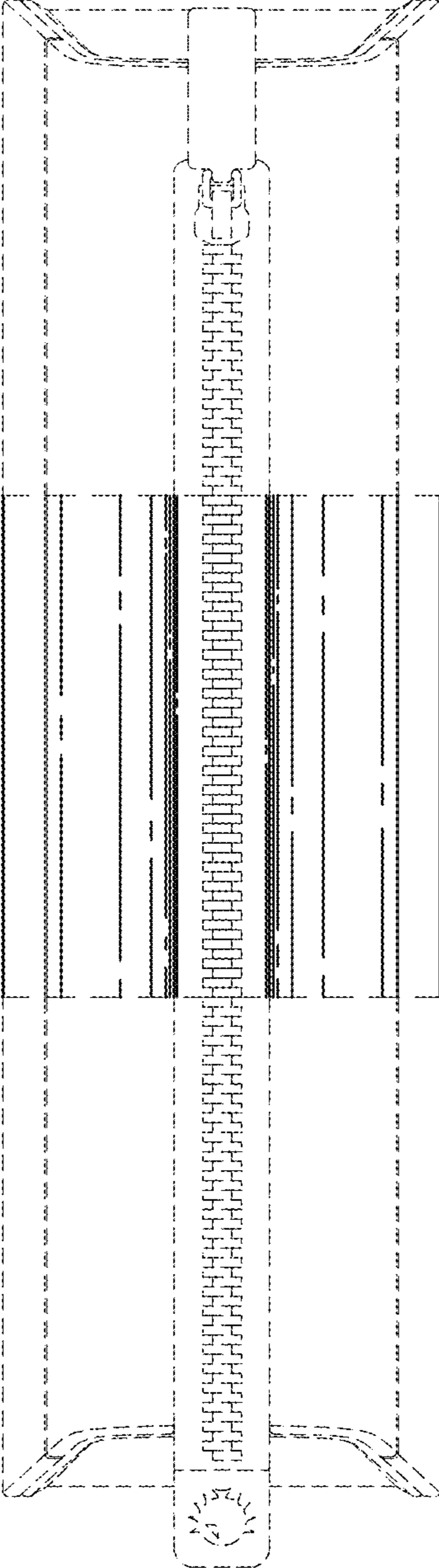


FIG. 6

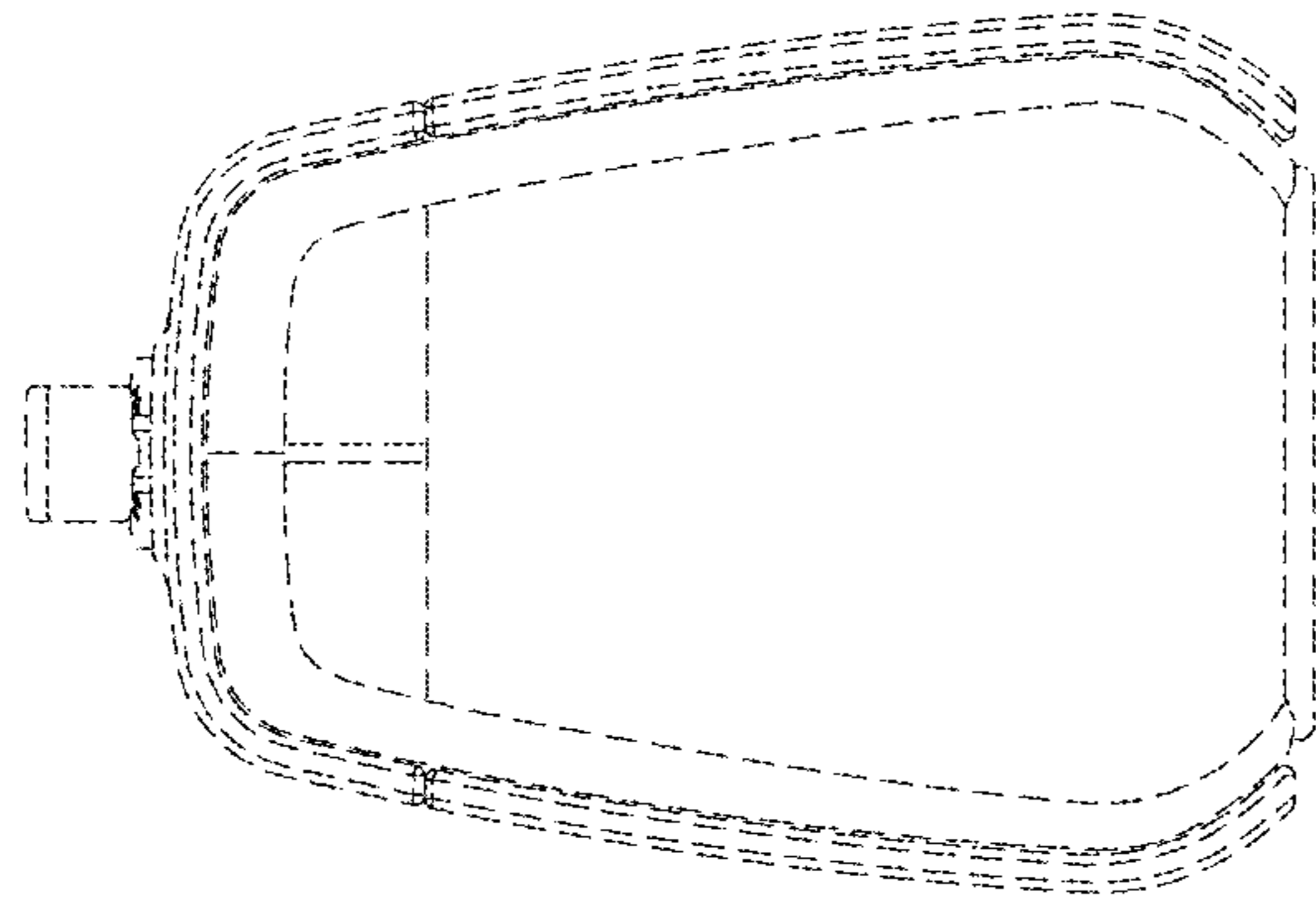


FIG. 8

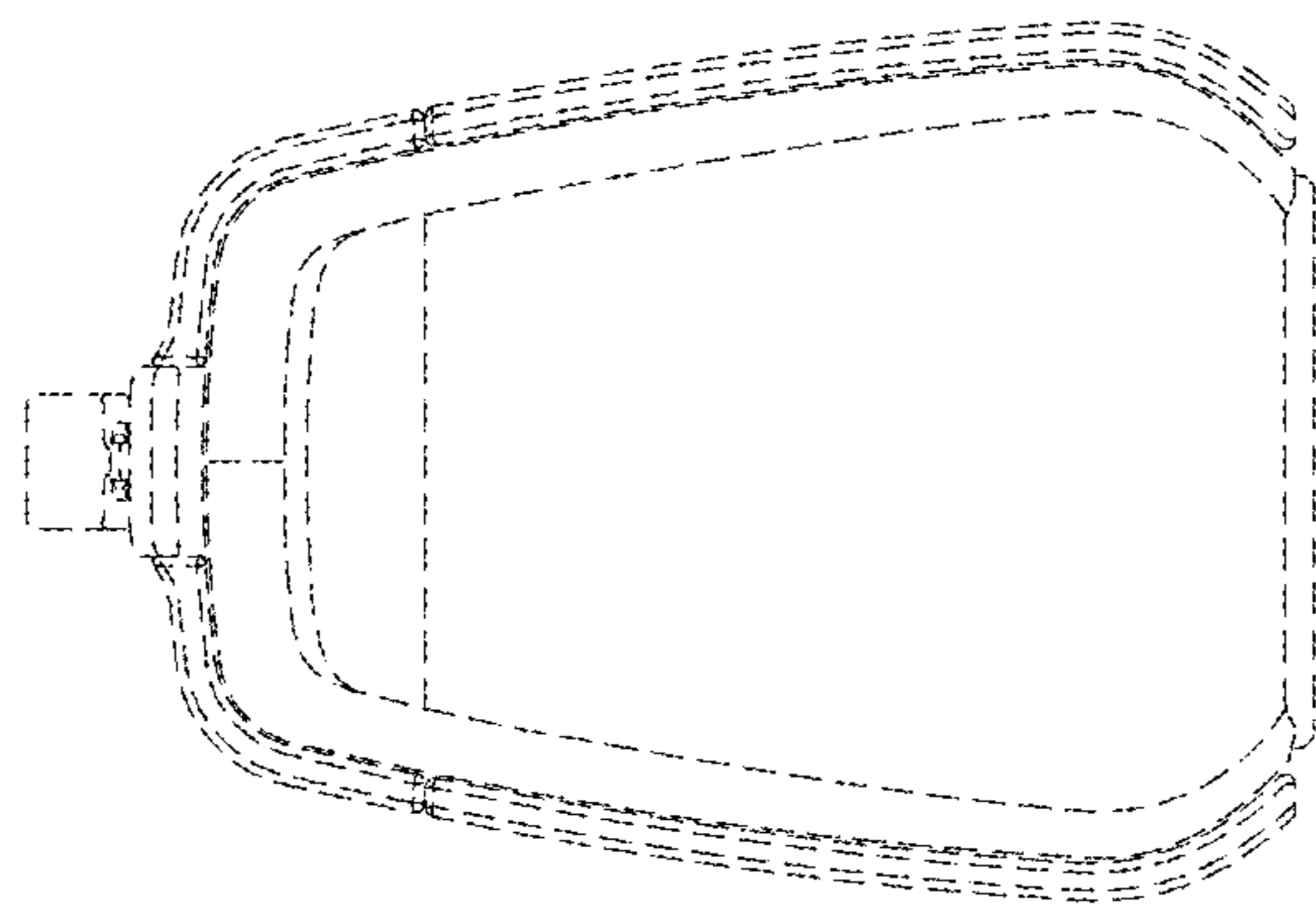


FIG. 7