



US00D766215S

(12) **United States Design Patent**
Mackiewicz et al.

(10) **Patent No.:** **US D766,215 S**

(45) **Date of Patent:** **** Sep. 13, 2016**

(54) **LOUDSPEAKER**

9/025; H04R 2201/021; H04R 2400/00;
H04R 2400/07; H04R 2499/11; H04R
2499/13; H04R 2499/15

(71) Applicant: **Harman International Industries,
Incorporated**, Northridge, CA (US)

See application file for complete search history.

(72) Inventors: **Damian Mackiewicz**, Shenzhen (CN);
Alexander Demin, Shenzhen (CN);
Hyungwoo Yoon, Shenzhen (CN)

(56)

References Cited

U.S. PATENT DOCUMENTS

(73) Assignee: **Harman International Industries,
Incorporated**, Northridge, CA (US)

D689,845 S *	9/2013	Nylen	D14/215
D712,378 S *	9/2014	Mackiewicz	D14/216
D734,741 S *	7/2015	Brunner	D14/216
D744,977 S *	12/2015	Wagner	D14/204

(**) Term: **14 Years**

* cited by examiner

(21) Appl. No.: **29/516,628**

Primary Examiner — Keli L Hill

(22) Filed: **Feb. 4, 2015**

(74) *Attorney, Agent, or Firm* — Plumsea Law Group, LLC

Related U.S. Application Data

(63) Continuation-in-part of application No. 29/496,384,
filed on Jul. 11, 2014, now abandoned.

(51) **LOC (10) Cl.** **14-03**

(52) **U.S. Cl.**
USPC **D14/216**

(58) **Field of Classification Search**
USPC D14/168, 170–172, 188, 194–196, 204,
D14/207, 210–216, 219, 221, 222, 224,
D14/496; 181/143, 144, 147, 148, 150, 153,
181/157, 198, 199; 381/300–303, 306, 332,
381/333, 336, 345, 361–364, 386–388
CPC .. B60R 11/0217; G06F 1/1688; H04M 1/03;
H04M 1/035; H04R 1/02; H04R 1/06;
H04R 1/021; H04R 1/025; H04R 1/026;
H04R 1/028; H04R 1/105; H04R 1/323;
H04R 1/403; H04R 1/2803; H04R 1/2834;
H04R 5/02; H04R 7/20; H04R 9/06; H04R

(57)

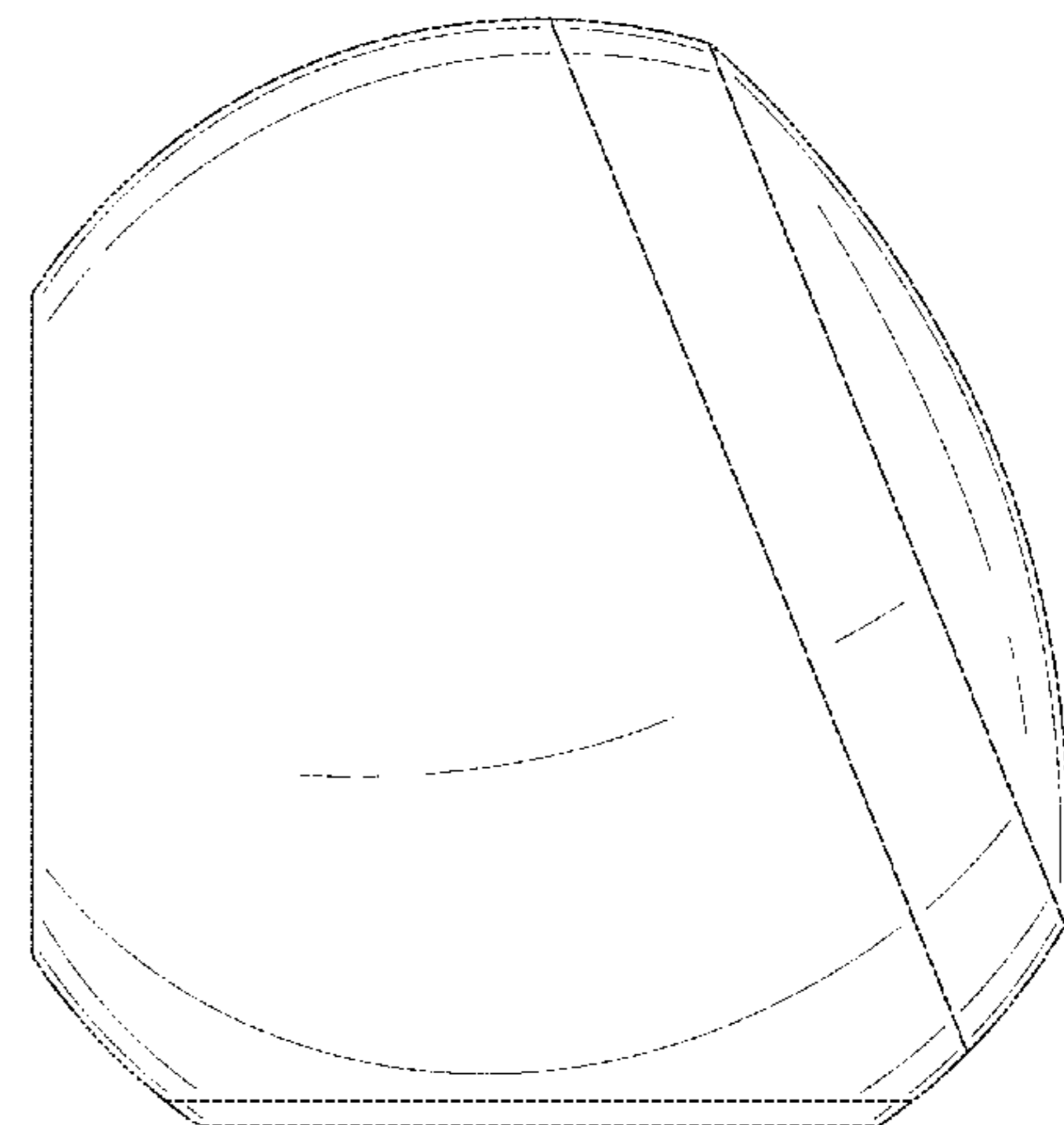
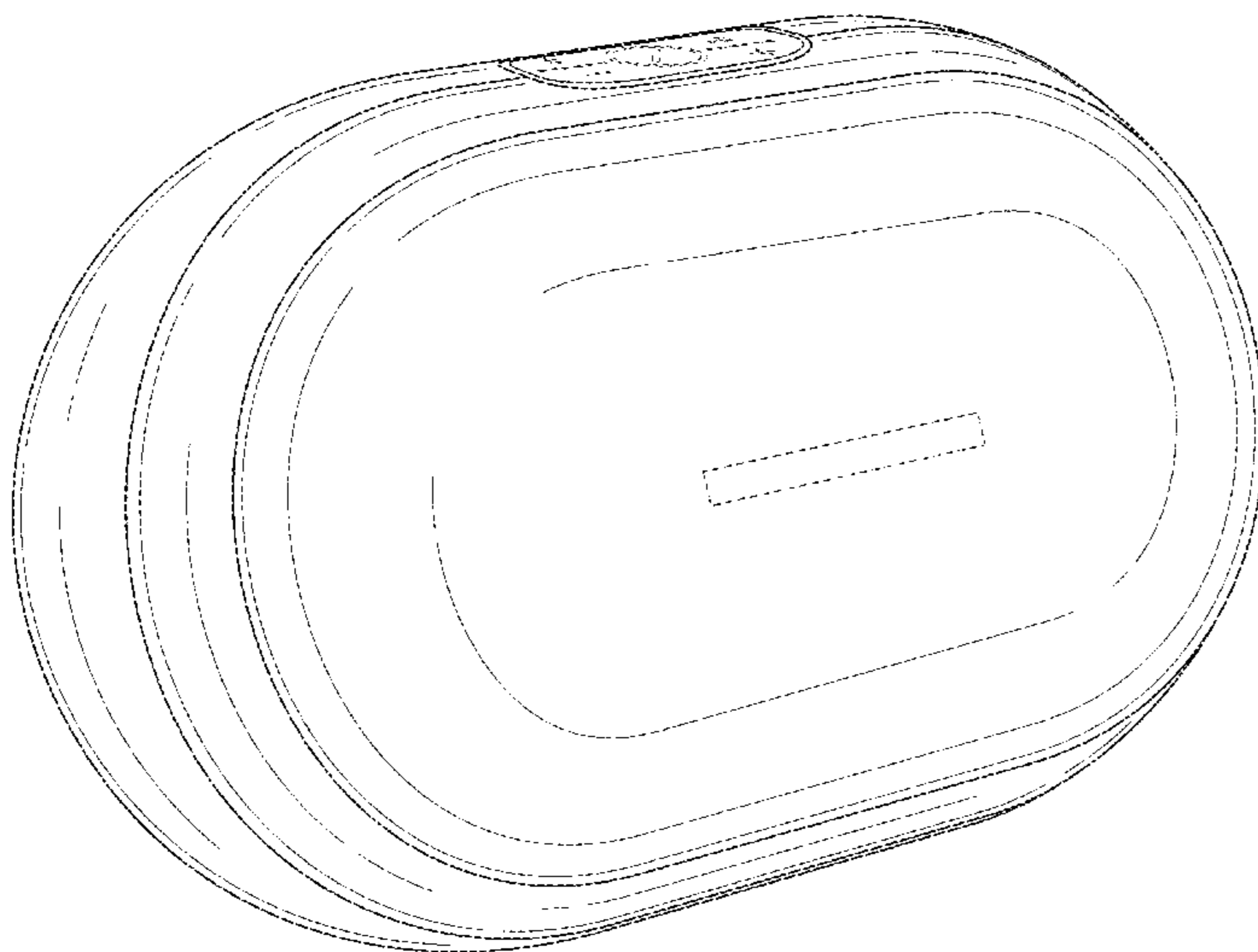
CLAIM

The ornamental design for a loudspeaker, as shown and
described.

DESCRIPTION

FIG. 1 is a perspective view of a loudspeaker showing our
new design;
FIG. 2 is a front elevational view thereof;
FIG. 3 is a side elevational view thereof;
FIG. 4 is a side elevational view of the opposite side thereof;
FIG. 5 is a top plan view thereof;
FIG. 6 is a bottom plan view thereof; and,
FIG. 7 is a rear elevational view thereof.
The broken line showings form no part of the claimed
design.

1 Claim, 7 Drawing Sheets



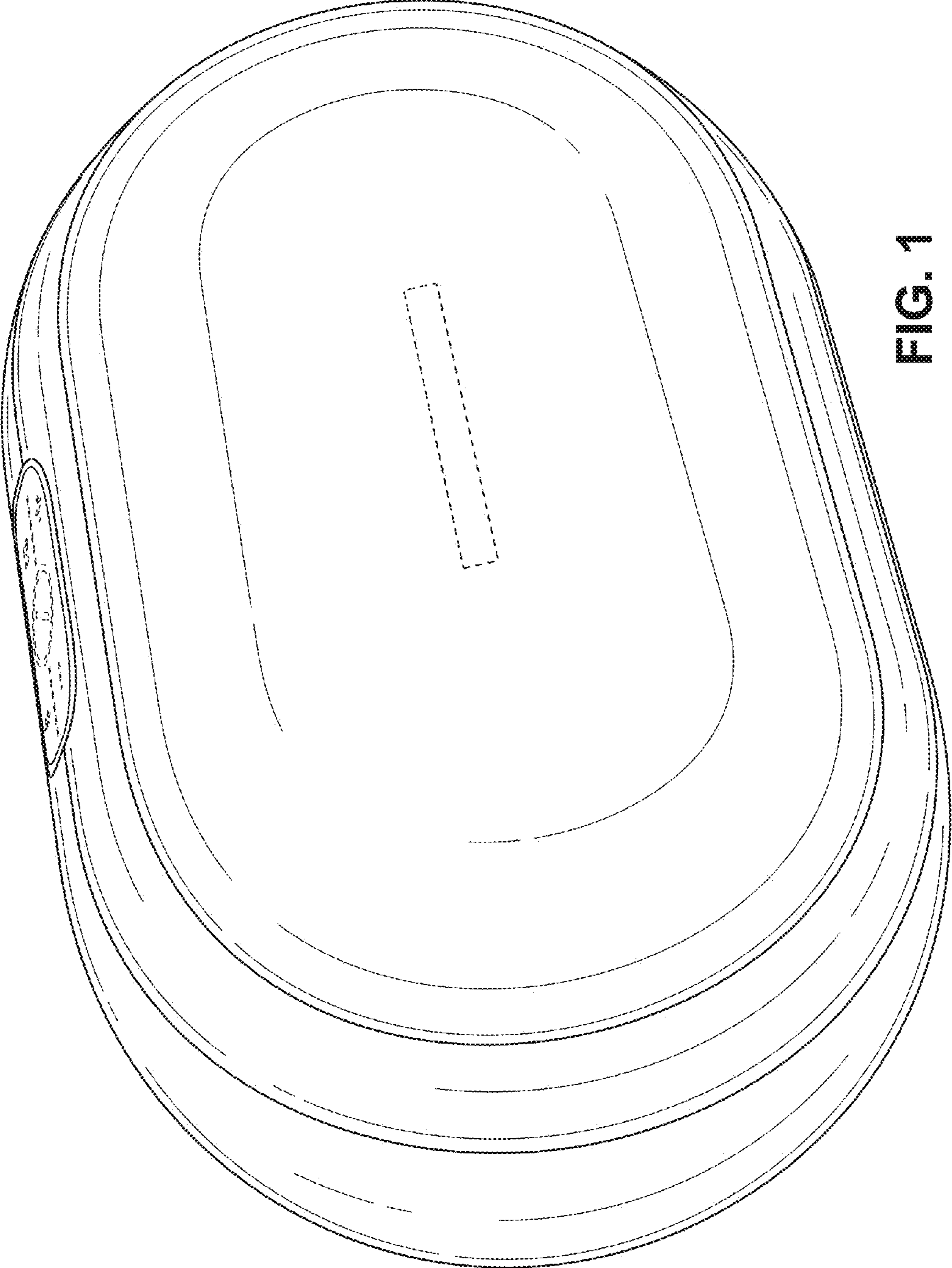


FIG. 1

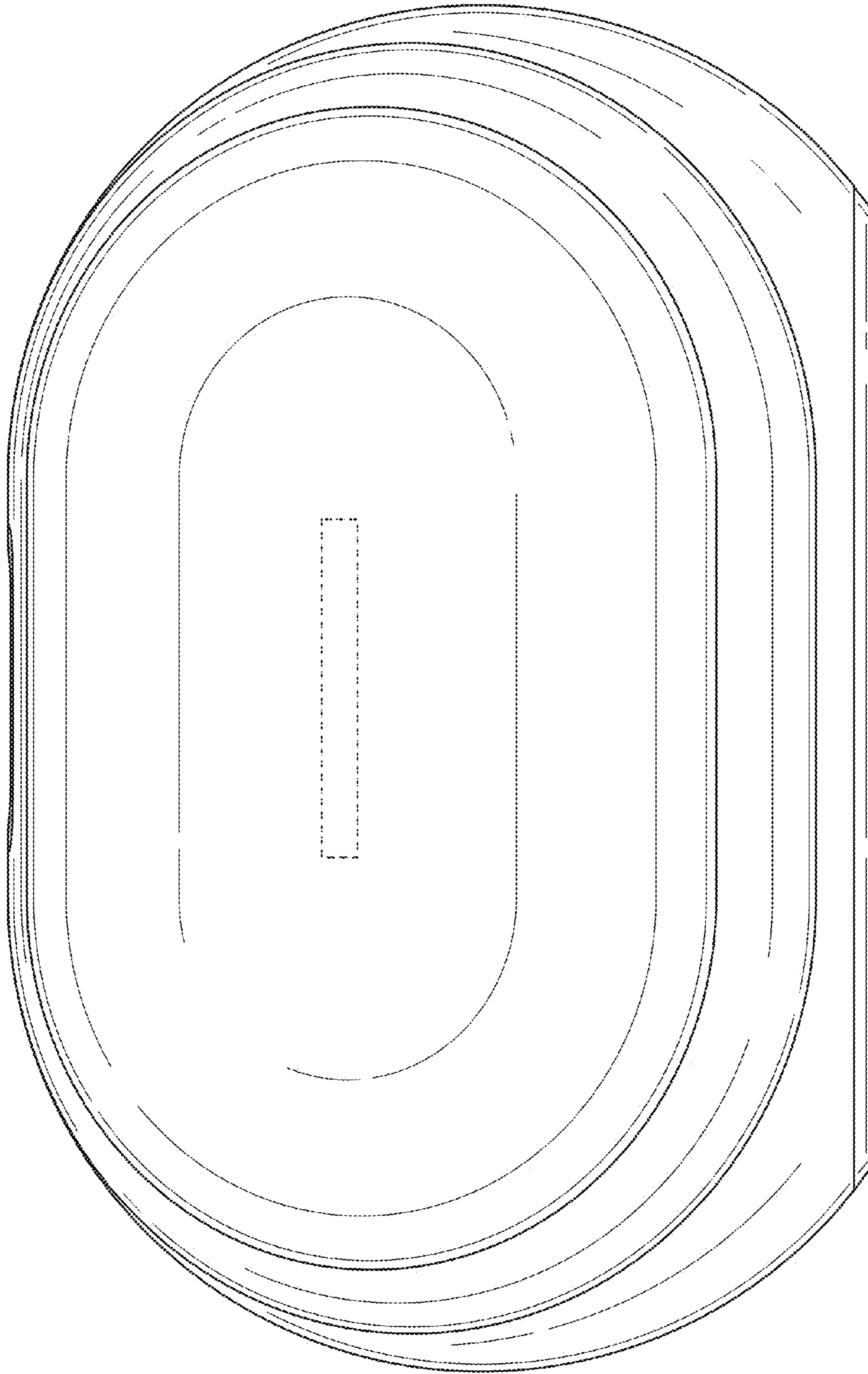


FIG. 2

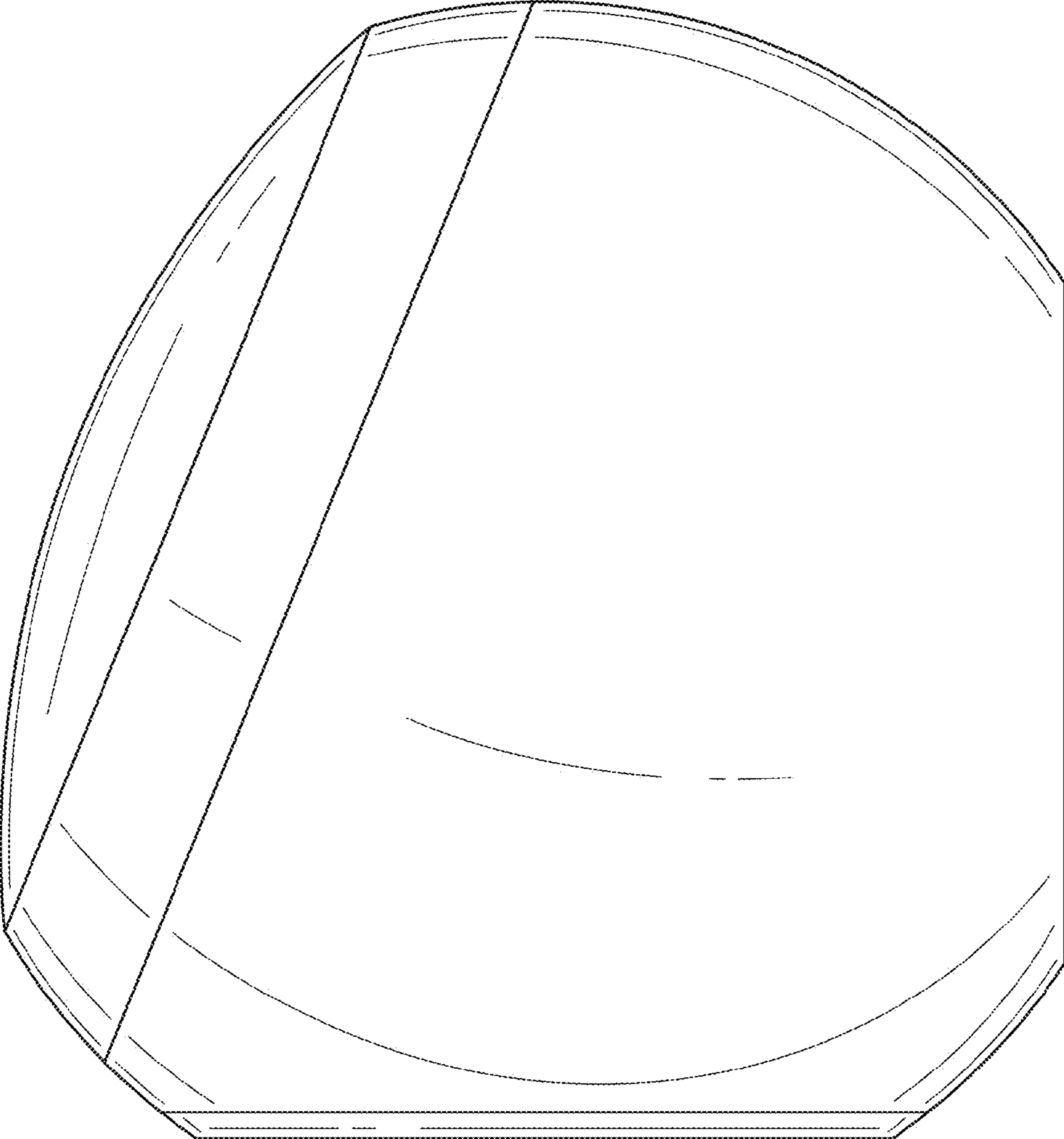


FIG. 3

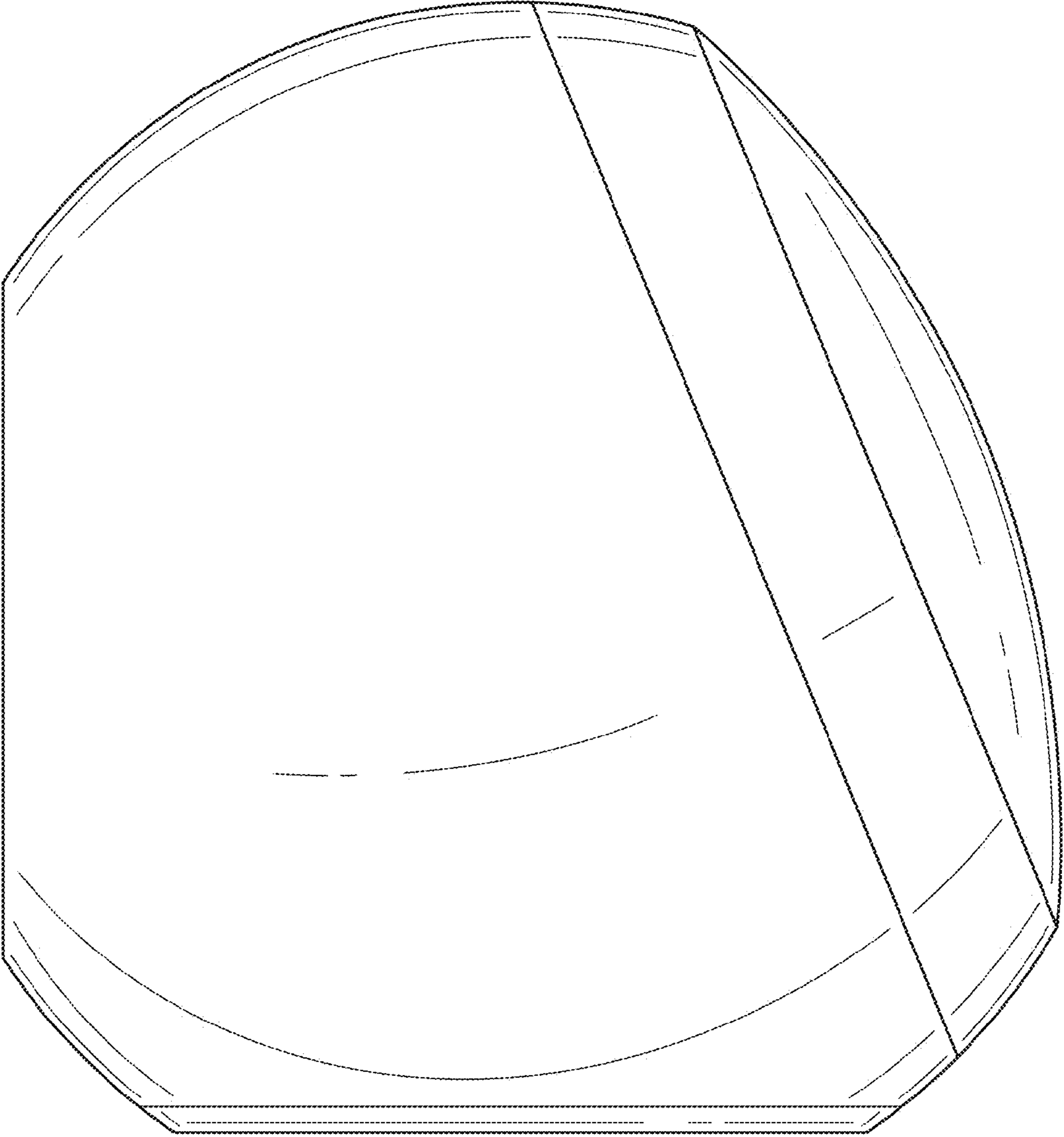


FIG. 4

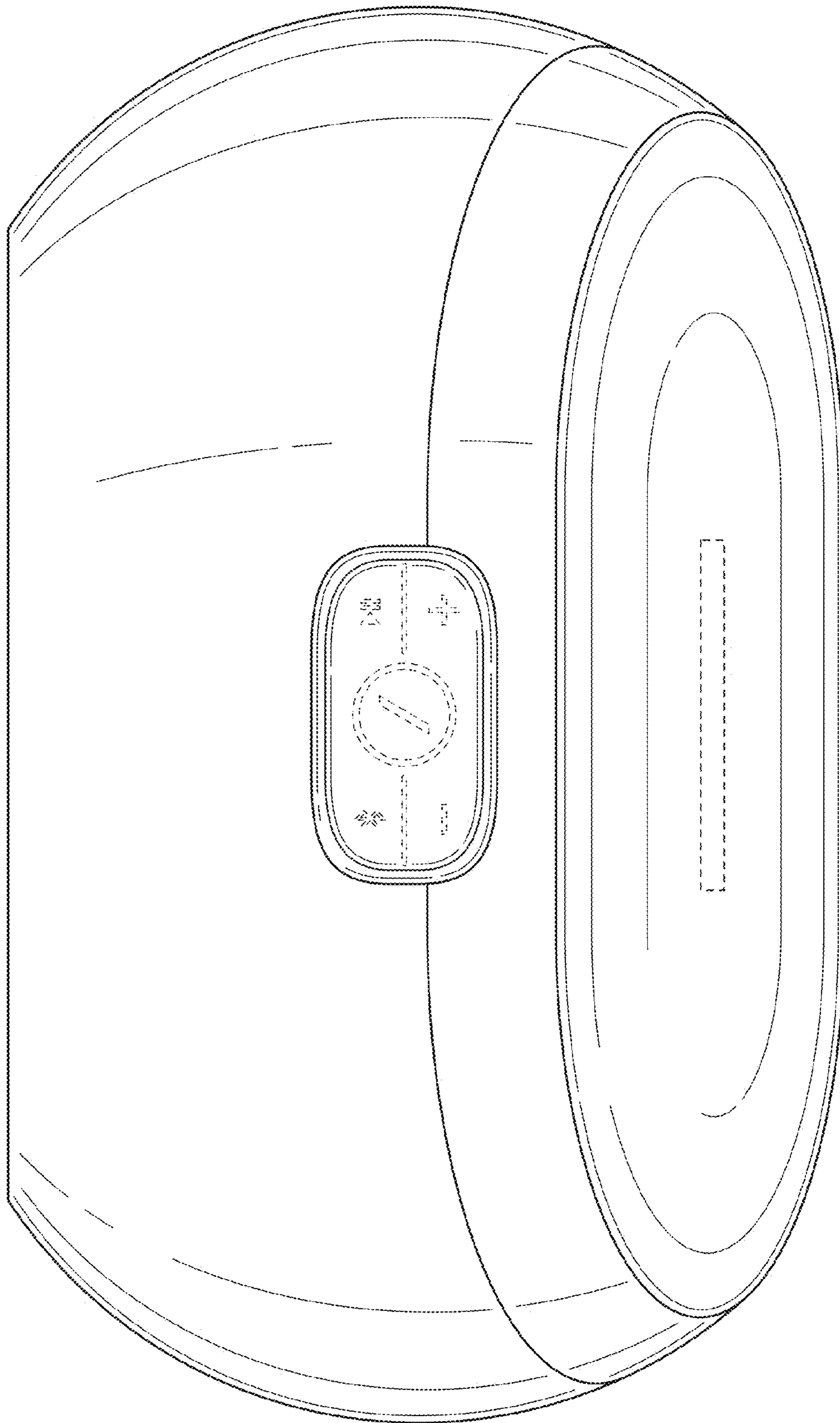


FIG. 5

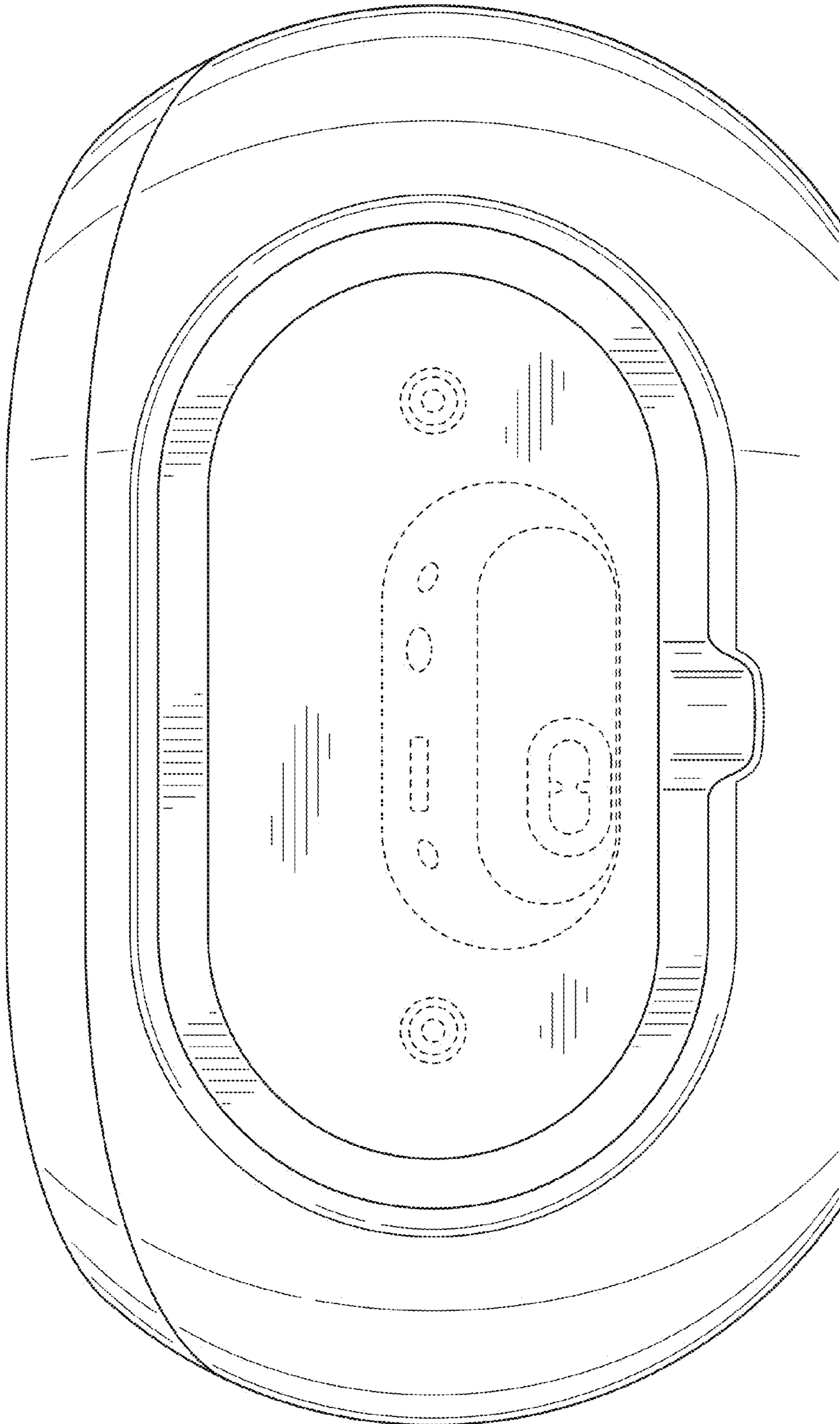


FIG. 6

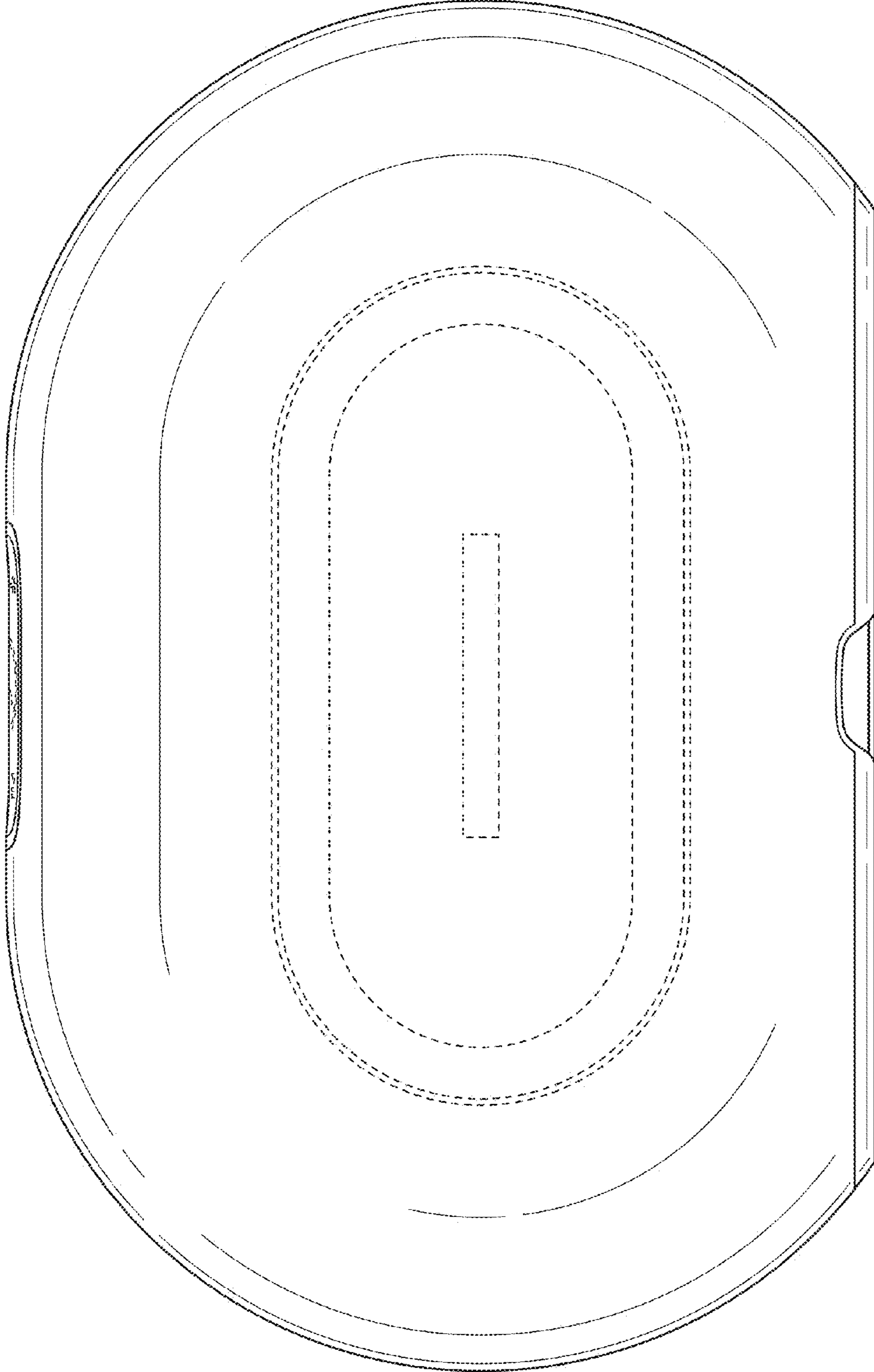


FIG. 7