

US00D766209S

(12) **United States Design Patent**
Harper

(10) **Patent No.:** **US D766,209 S**

(45) **Date of Patent:** **** *Sep. 13, 2016**

(54) **COMMUNICATIONS HEADSET**

(71) Applicant: **Plantronics, Inc.**, Santa Cruz, CA (US)

(72) Inventor: **Pierre Harper**, Santa Cruz, CA (US)

(73) Assignee: **Plantronics, Inc.**, Santa Cruz, CA (US)

(*) Notice: This patent is subject to a terminal disclaimer.

(**) Term: **14 Years**

(21) Appl. No.: **29/466,304**

(22) Filed: **Sep. 6, 2013**

(51) **LOC (10) Cl.** **14-01**

(52) **U.S. Cl.**
USPC **D14/206**

(58) **Field of Classification Search**
USPC D14/206, 223; 181/129, 130, 135;
379/430, 431, 420.01, 420.02, 420.04,
379/433.01, 433.02, 433.03; 381/370, 375,
381/380, 381; 455/90.3, 575.1
CPC H04R 25/00
See application file for complete search history.

(56) **References Cited**

U.S. PATENT DOCUMENTS

D357,921 S * 5/1995 Ming-Chin D14/223
D443,871 S * 6/2001 Hofstede et al. D14/206

D460,960 S * 7/2002 Kao D14/223
D482,348 S * 11/2003 Villaverde et al. D14/223
D490,399 S * 5/2004 Kamo et al. D14/206
D492,667 S * 7/2004 Skulley et al. D14/223
D555,153 S * 11/2007 Wilson et al. D14/223
D581,900 S 12/2008 Caddes et al.
D598,895 S * 8/2009 Bentley et al. D14/206
7,580,541 B2 * 8/2009 Hlas et al. 381/381
D604,718 S 11/2009 Paterson
D634,300 S * 3/2011 Yang et al. D14/206
D640,232 S * 6/2011 Brandis D14/206
2003/0072466 A1 * 4/2003 Eisenbraun 381/381

* cited by examiner

Primary Examiner — Paula Greene

(57) **CLAIM**

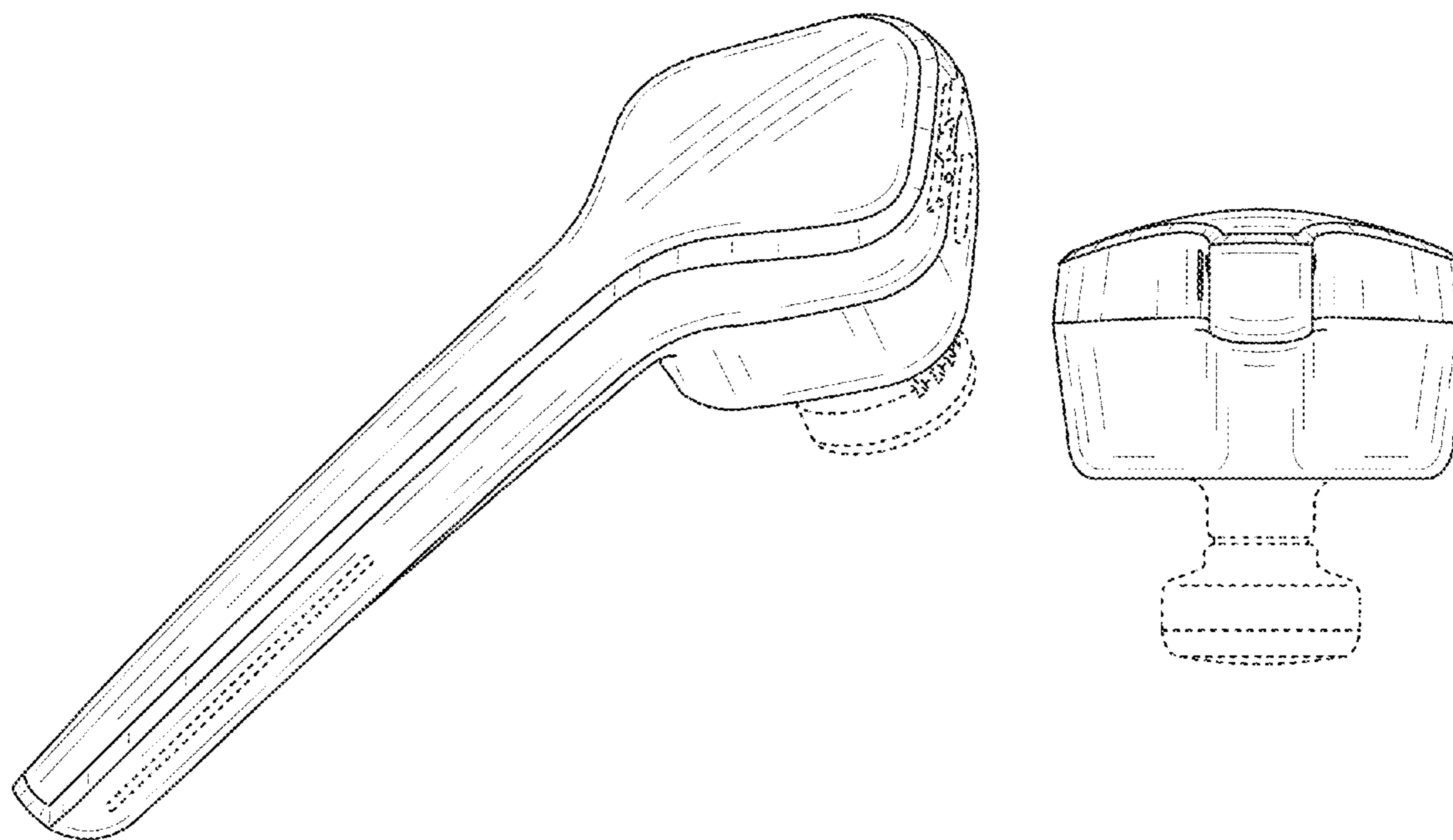
The ornamental design for a communications headset, as shown and described.

DESCRIPTION

FIG. 1 is a perspective view of a communications headset showing my new design;
FIG. 2 is a front view thereof;
FIG. 3 is a back view thereof;
FIG. 4 is a right side view thereof;
FIG. 5 is a left side view thereof;
FIG. 6 is a top view thereof; and,
FIG. 7 is a bottom view thereof.

The broken lines showing the unclaimed environment forms no part of the claimed design.

1 Claim, 3 Drawing Sheets



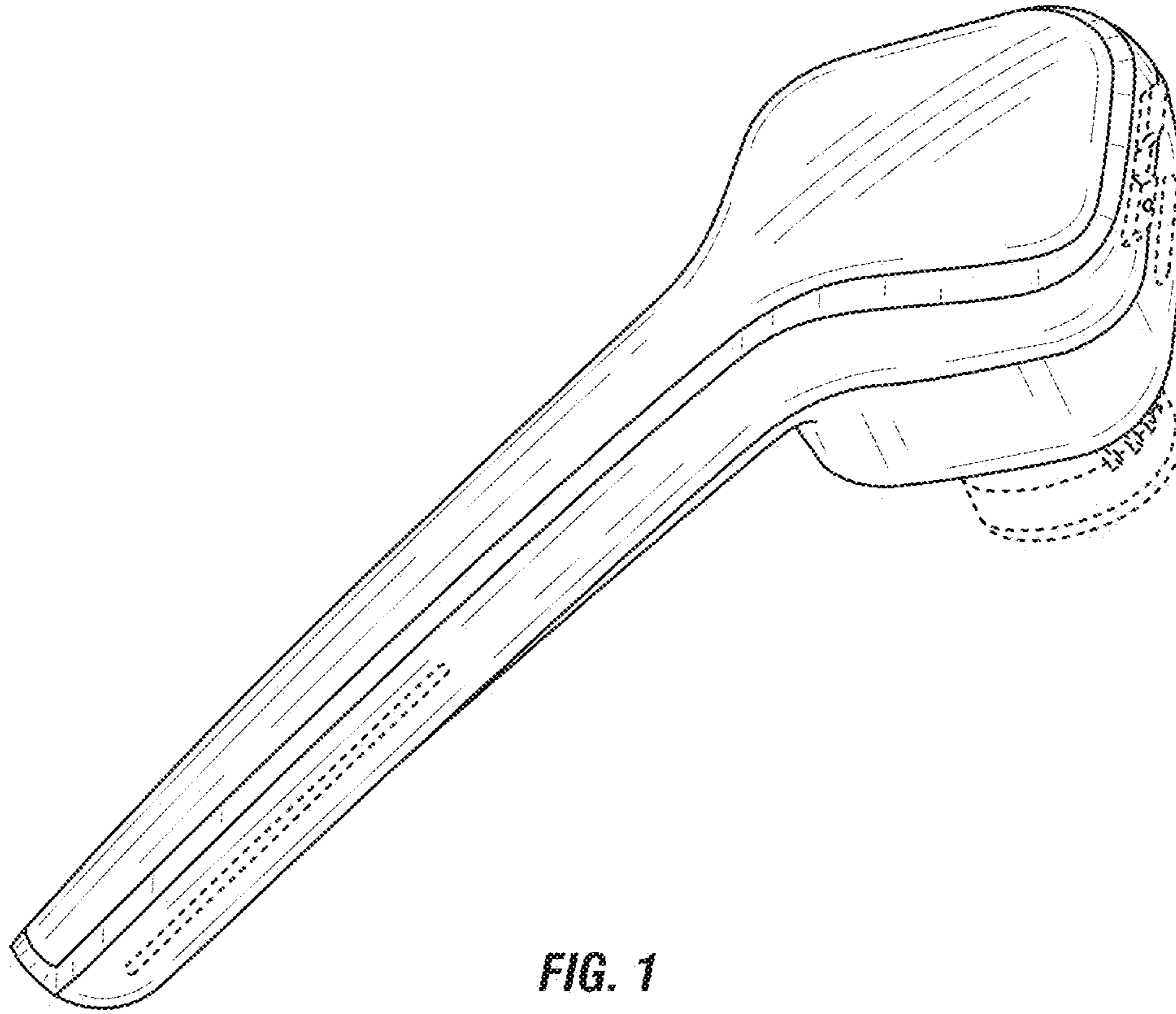


FIG. 1

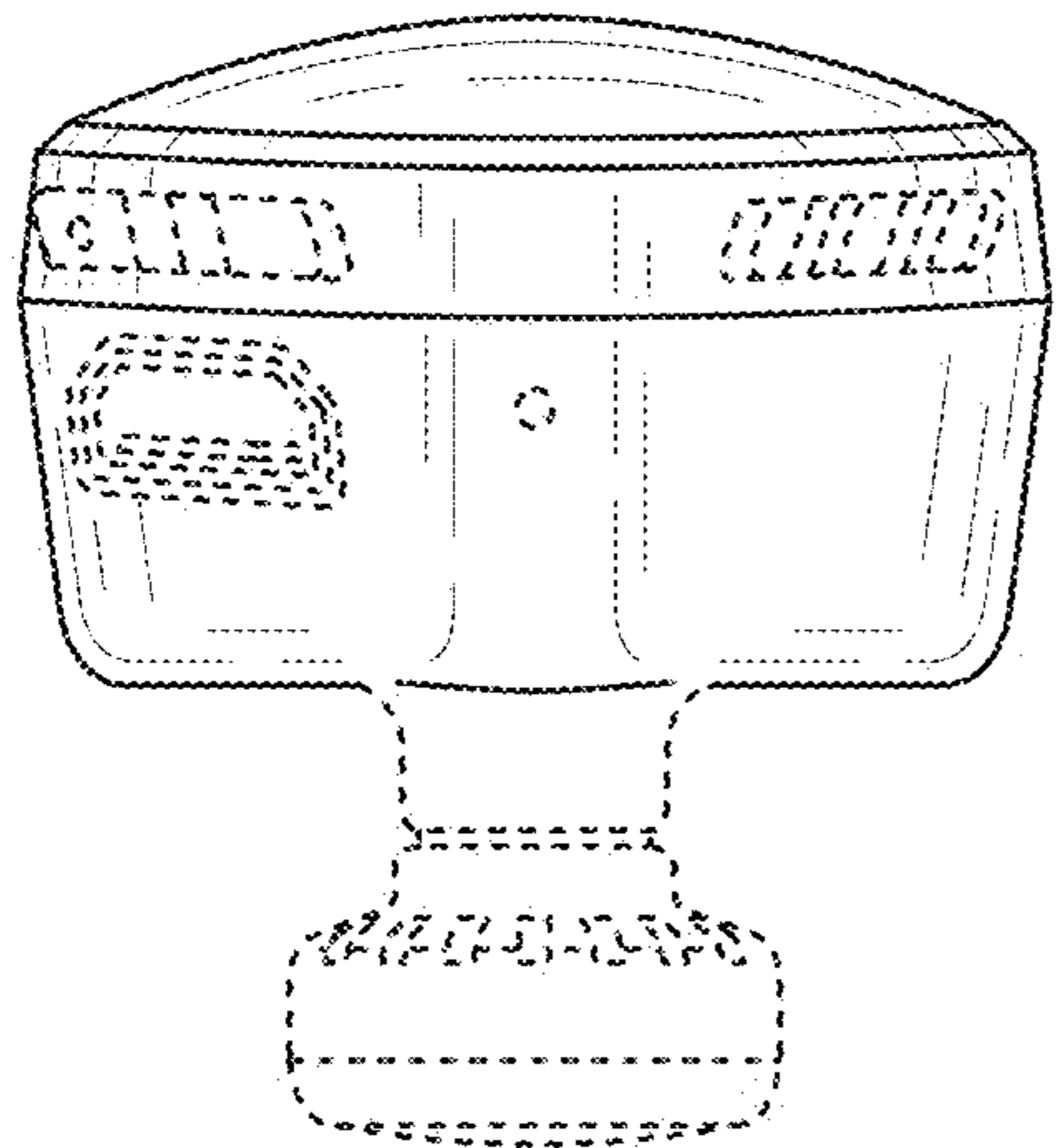


FIG. 2

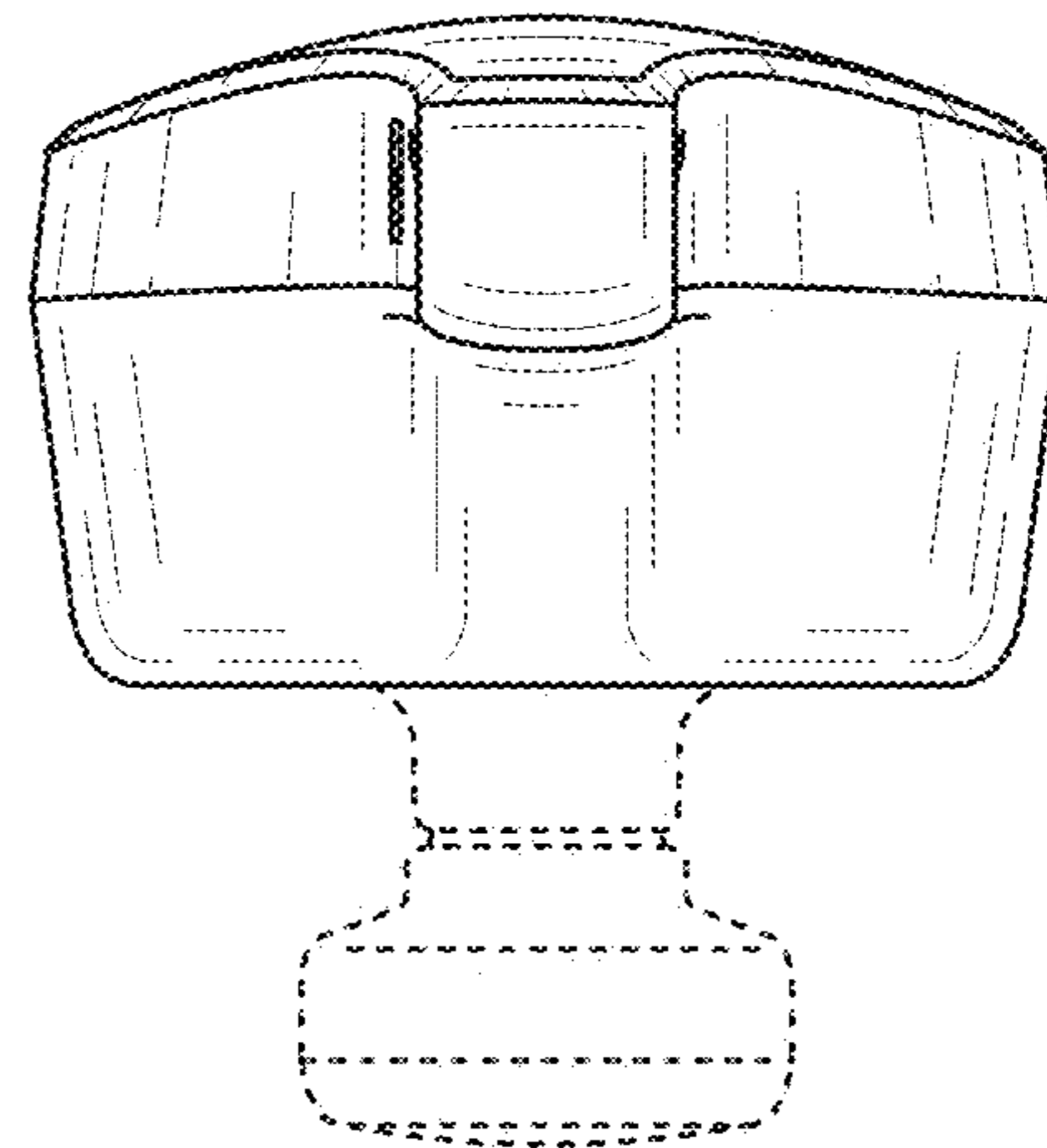


FIG. 3

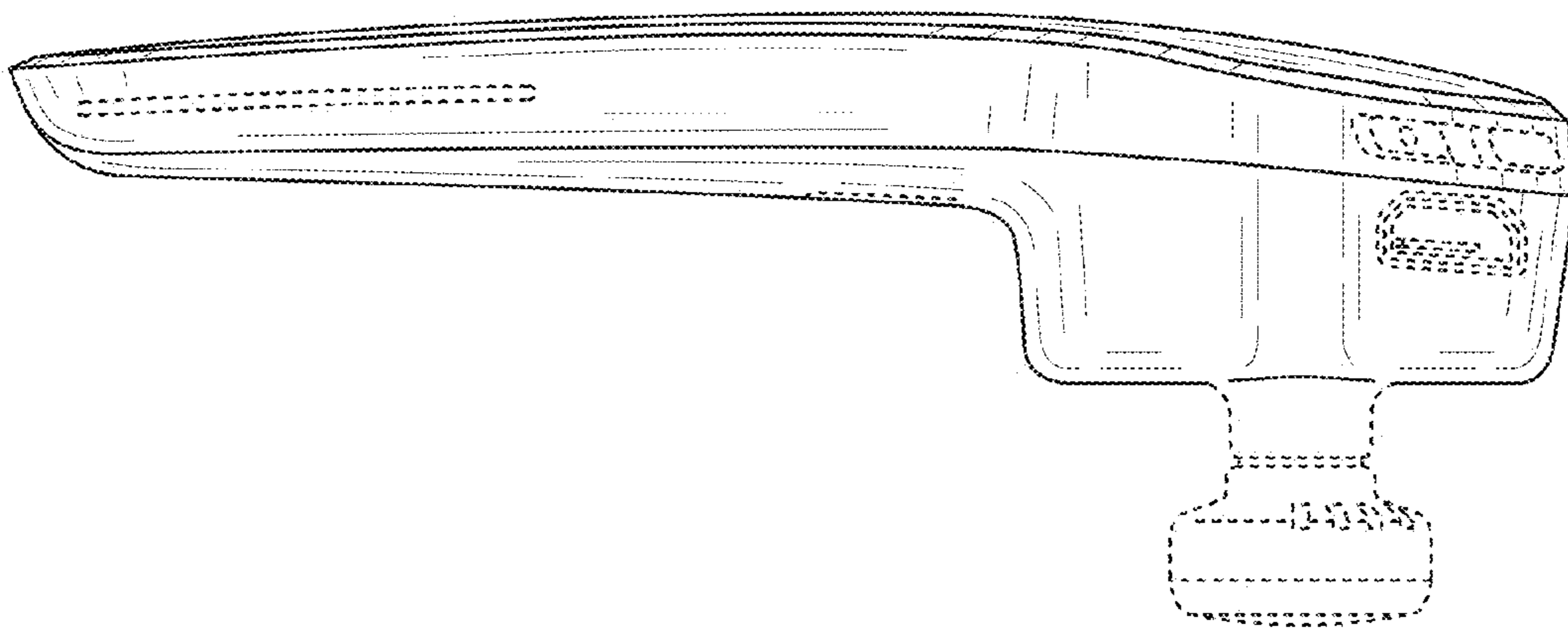


FIG. 4

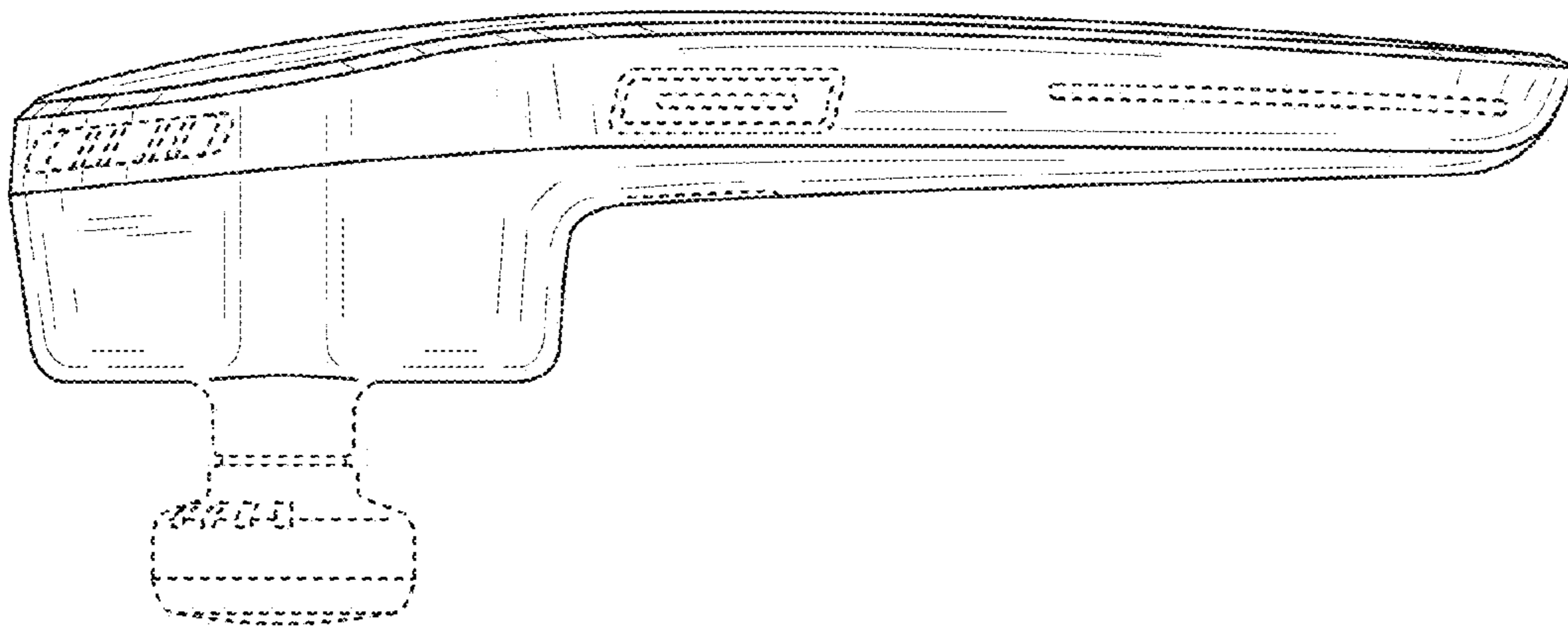


FIG. 5

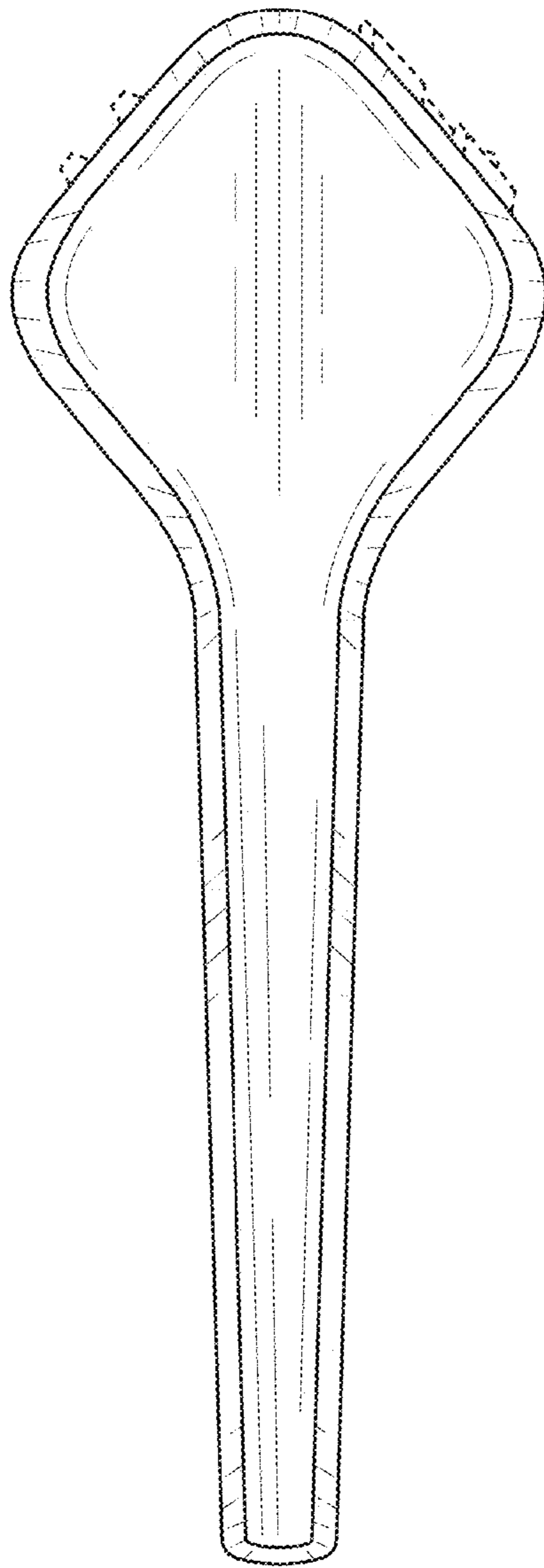


FIG. 6

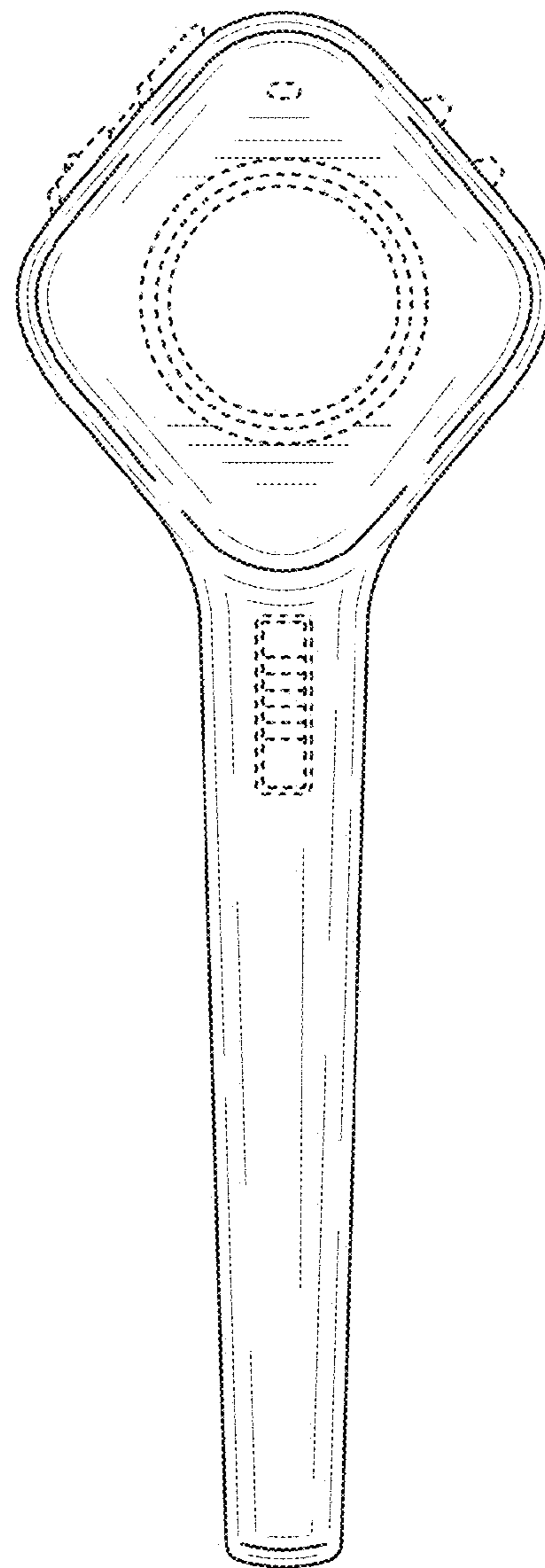


FIG. 7