



US00D766208S

(12) **United States Design Patent**
Paterson et al.

(10) **Patent No.:** **US D766,208 S**
(45) **Date of Patent:** **** Sep. 13, 2016**

(54) **COMMUNICATIONS HEADSET OR HEADPHONE**

(71) Applicant: **Plantronics, Inc.**, Santa Cruz, CA (US)

(72) Inventors: **Nicholas W Paterson**, Santa Cruz, CA (US); **Barry C Ferris**, Santa Cruz, CA (US)

(73) Assignee: **Plantronics, Inc.**, Santa Cruz, CA (US)

(**) Term: **15 Years**

(21) Appl. No.: **29/528,461**

(22) Filed: **May 28, 2015**

(51) **LOC (10) Cl.** **14-01**

(52) **U.S. Cl.**
USPC **D14/205**

(58) **Field of Classification Search**

USPC D14/205, 206, 372; D28/41; D29/112; 2/209; 181/129, 130, 135; 379/430, 379/431; 381/380, 381, 370, 371, 375, 378, 381/379, 72, 74, 151, 173; 455/90.3, 575.1
CPC H04R 1/10; H04R 25/00; H04R 1/1066; H04R 5/0335; H04R 5/033

See application file for complete search history.

(56) **References Cited**

U.S. PATENT DOCUMENTS

- 1,483,315 A * 2/1924 Saal H04R 1/1066 381/374
- 1,560,718 A * 11/1925 Nowosielski H04R 1/1066 381/377
- D70,296 S * 6/1926 Skaruda D28/41
- 2,360,027 A * 10/1944 Werner H04M 1/05 379/430
- 3,440,663 A * 4/1969 Beguin A61F 11/14 2/209
- 3,845,505 A * 11/1974 Davison A42B 3/166 2/209
- D246,242 S * 11/1977 Bellini D14/205
- D246,519 S * 11/1977 Kato D14/205
- D254,183 S * 2/1980 Doodson D14/205
- D262,019 S * 11/1981 Upshaw D14/205
- D291,198 S * 8/1987 Bellini D14/205
- D301,145 S * 5/1989 Besasie D14/205
- D313,092 S * 12/1990 Nilsson D14/205
- D315,561 S * 3/1991 Miller D14/192

- 4,999,846 A * 3/1991 Ball A42B 1/22 2/417
- 5,018,599 A * 5/1991 Dohi H04R 1/1008 181/129
- D353,818 S * 12/1994 Nakamura D14/205
- 5,406,037 A * 4/1995 Nageno H04R 5/0335 181/129
- D358,390 S * 5/1995 Hayashi D14/205
- D376,598 S * 12/1996 Hayashi D14/205
- D410,466 S * 6/1999 Mouri D14/205
- D410,921 S * 6/1999 Luchs D14/142
- 5,987,147 A * 11/1999 Nishimoto H04R 5/033 381/370
- 6,016,347 A * 1/2000 Magnasco H04R 1/1041 379/430
- D420,356 S * 2/2000 Suzuki D14/205
- D457,874 S * 5/2002 Yoneda D14/205
- D463,857 S * 10/2002 Dix D24/106
- 6,496,589 B1 * 12/2002 Pham H04R 1/08 381/370
- 6,678,897 B2 * 1/2004 Lindgren A61F 11/14 181/129
- D501,844 S * 2/2005 Hirano D14/192
- D512,981 S * 12/2005 Jacobson D14/205
- D517,527 S * 3/2006 Suzuki D14/205

(Continued)

Primary Examiner — Paula Greene

(57) **CLAIM**

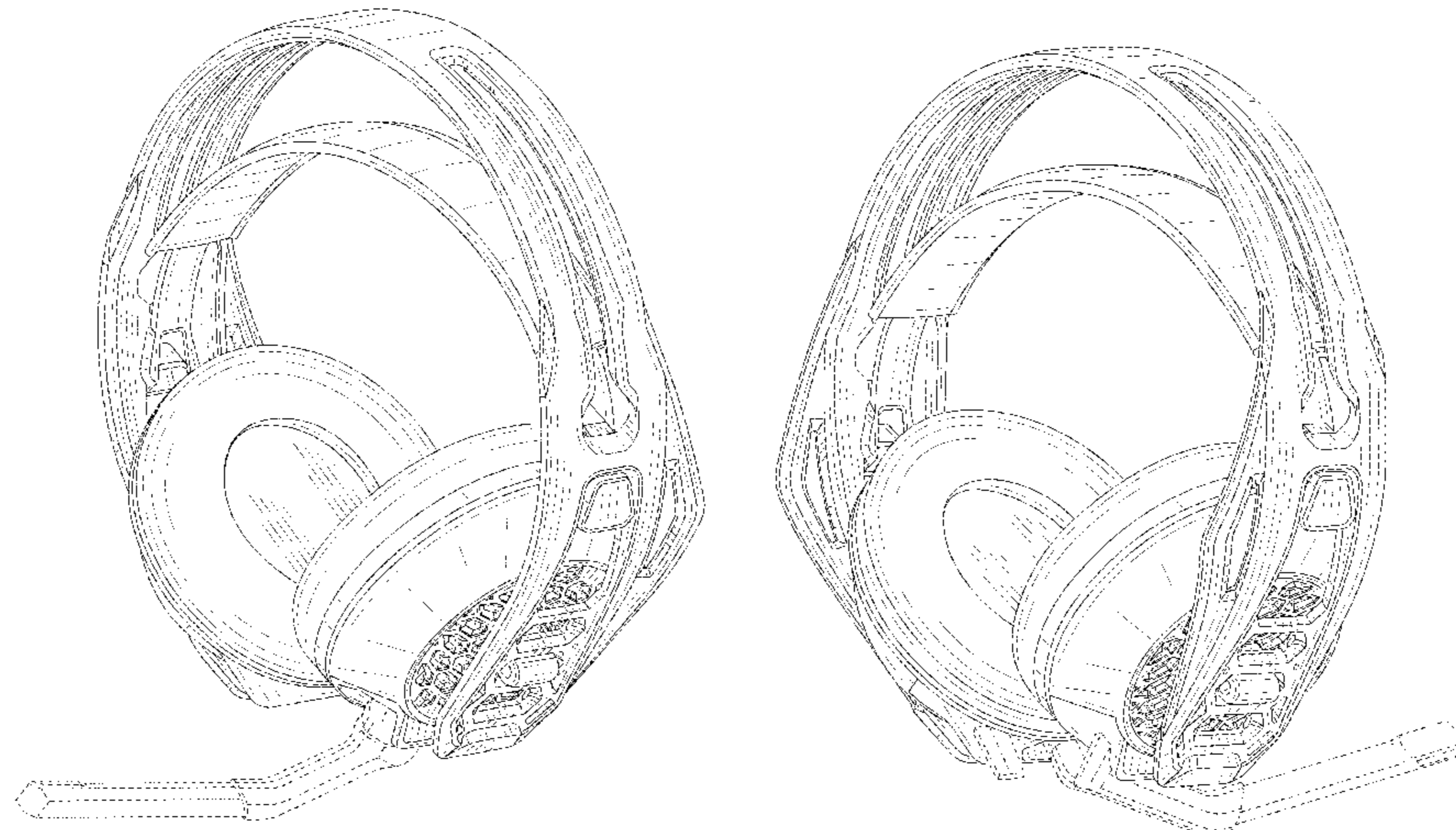
The ornamental design for a communications headset or headphone, as shown and described.

DESCRIPTION

FIG. 1 is a front-left perspective view of a communications headset or headphone showing my new design; FIG. 2 is a back-right perspective view thereof; FIG. 3 is a front view thereof; FIG. 4 is a back view thereof; FIG. 5 is a right side view thereof; FIG. 6 is a left side view thereof; FIG. 7 is a top view thereof; and, FIG. 8 is a bottom view thereof.

The broken lines showing the unclaimed features form no part of the claimed design.

1 Claim, 8 Drawing Sheets



(56)

References Cited

U.S. PATENT DOCUMENTS

D544,464 S * 6/2007 Lee D14/205
 D548,221 S * 8/2007 Huang D14/205
 D567,215 S * 4/2008 Lee D14/205
 D592,639 S * 5/2009 Kuh D14/205
 D633,894 S * 3/2011 Meyer D14/205
 D635,958 S * 4/2011 Ando D14/205
 D635,959 S * 4/2011 Hutchieson D14/205
 D654,472 S * 2/2012 Fischer D14/206
 D663,717 S * 7/2012 Hutchieson D14/206
 D664,116 S * 7/2012 Hutchieson D14/205
 D686,593 S * 7/2013 Larsen D14/205

8,732,864 B2 * 5/2014 Fountain A61F 11/14
 2/209
 D707,200 S * 6/2014 Yang D14/205
 D723,509 S * 3/2015 Garland D14/205
 D724,560 S * 3/2015 Galler D14/205
 D725,074 S * 3/2015 Boeckel D14/205
 D732,001 S * 6/2015 Licht D14/205
 D733,091 S * 6/2015 Heinonen D14/205
 D736,176 S * 8/2015 Rapitsch D14/205
 D746,791 S * 1/2016 Yuen D14/205
 2003/0210801 A1 * 11/2003 Naksen H04R 1/1066
 381/370
 2005/0220318 A1 * 10/2005 Han H04R 1/1008
 381/371

* cited by examiner

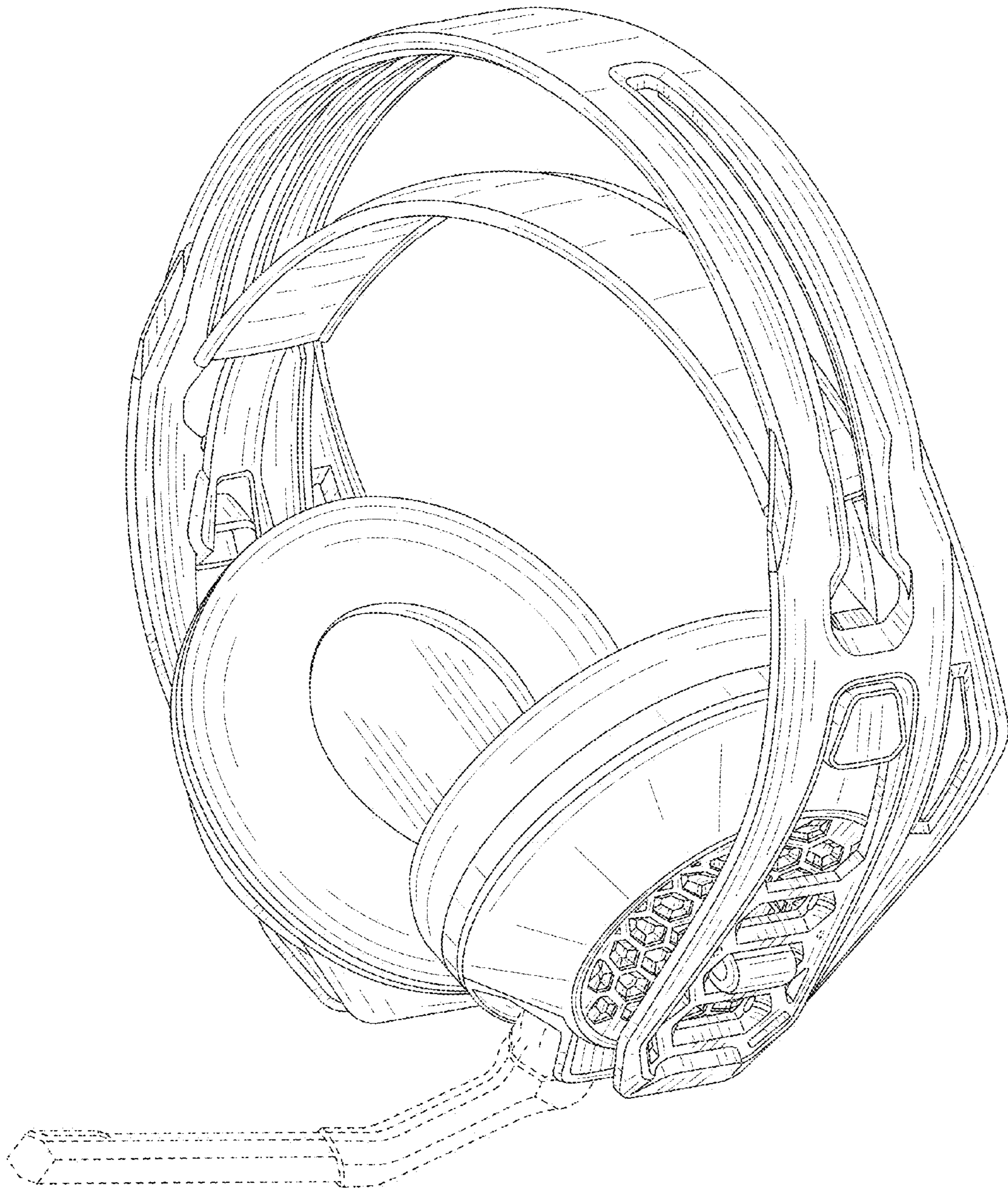


FIG. 1

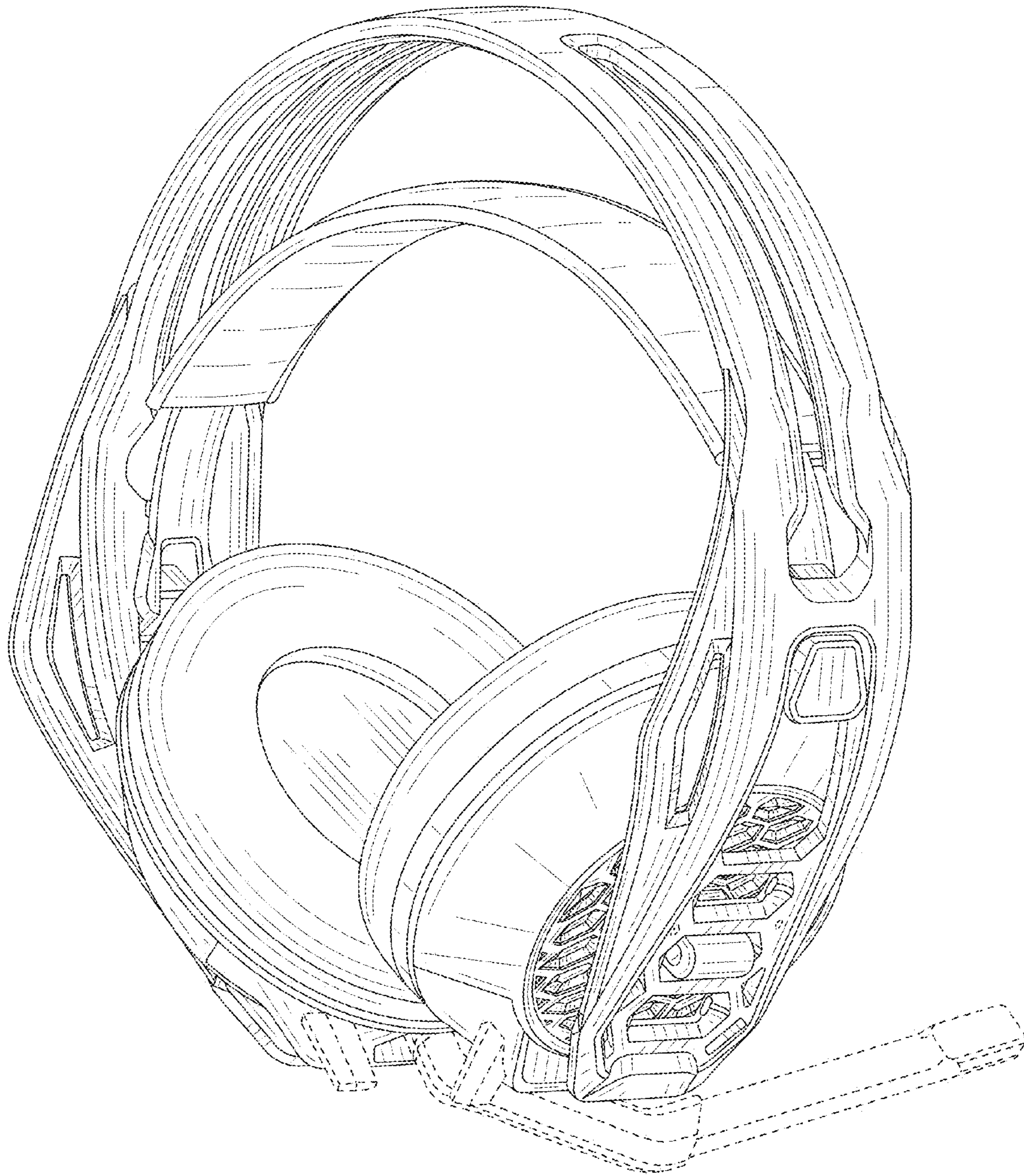


FIG. 2

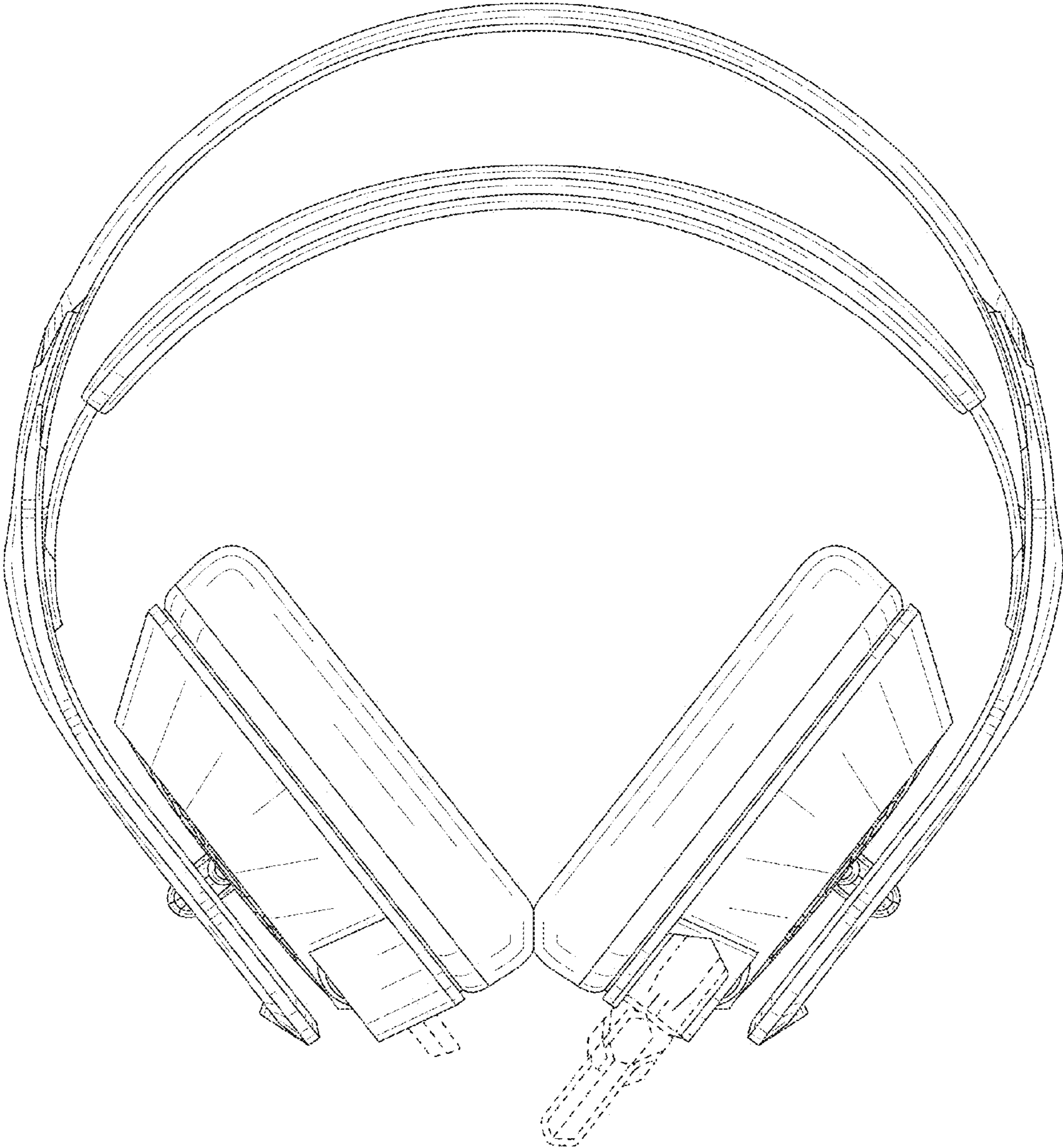


FIG. 3

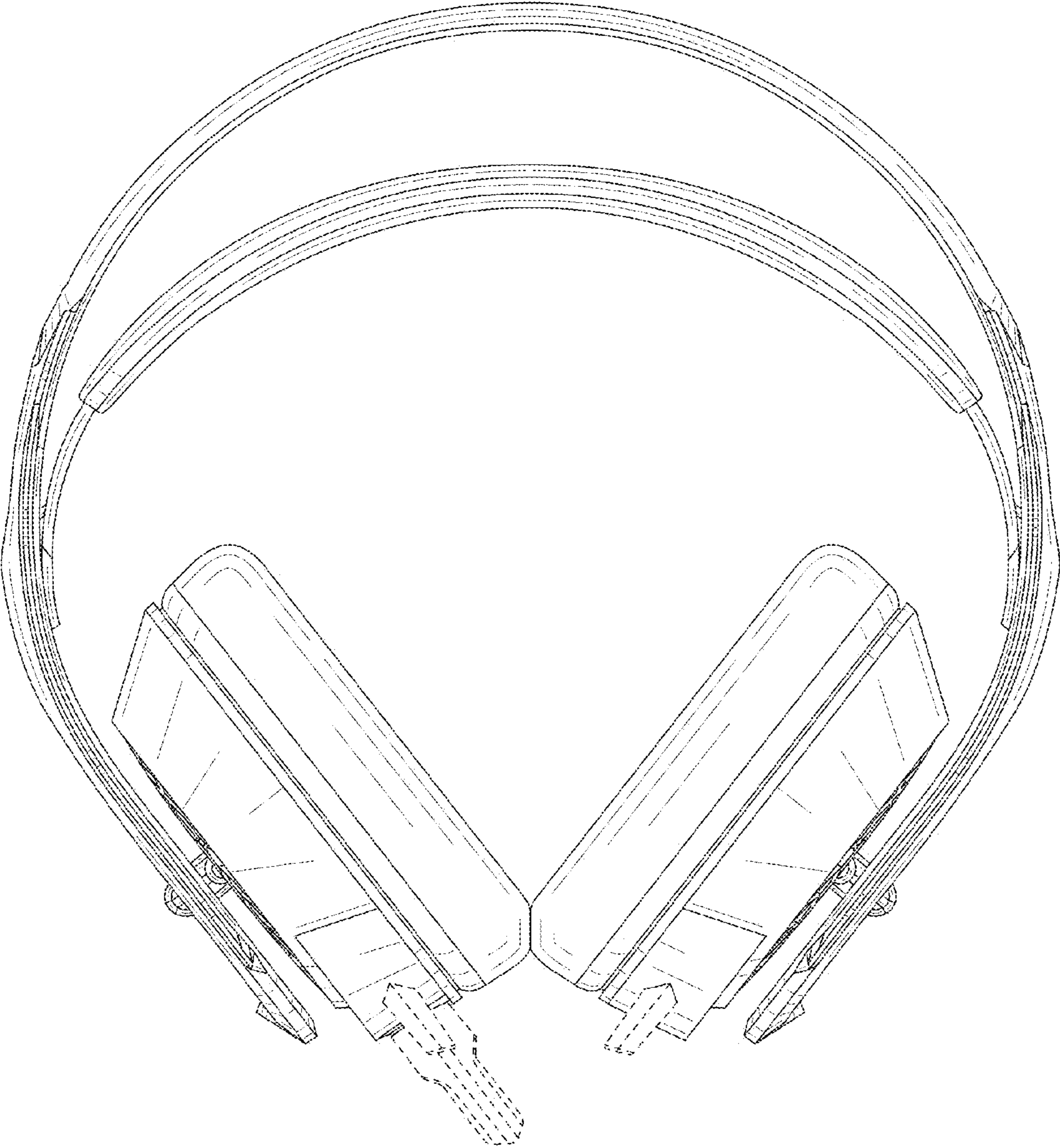


FIG. 4

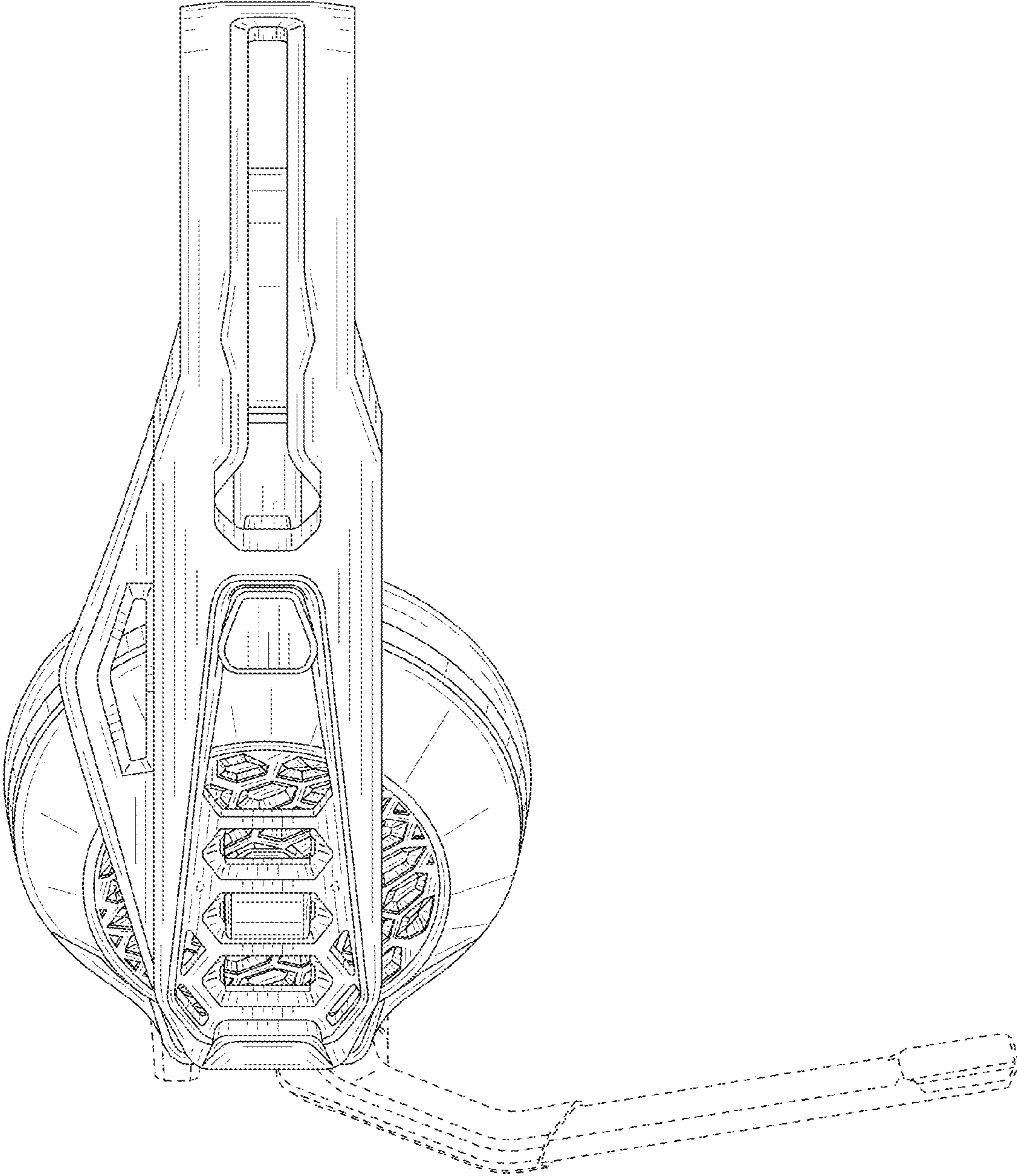


FIG. 5

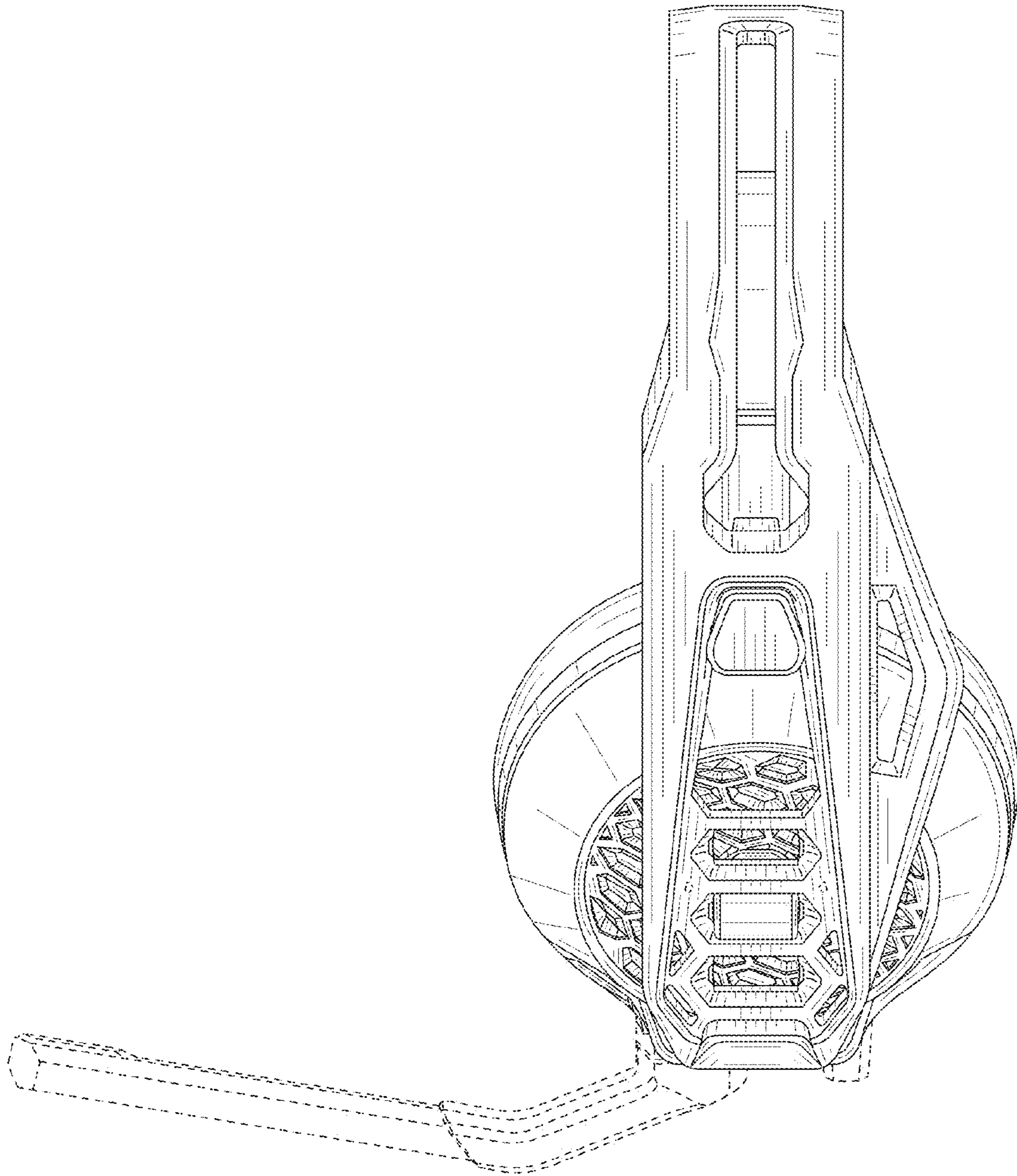


FIG. 6

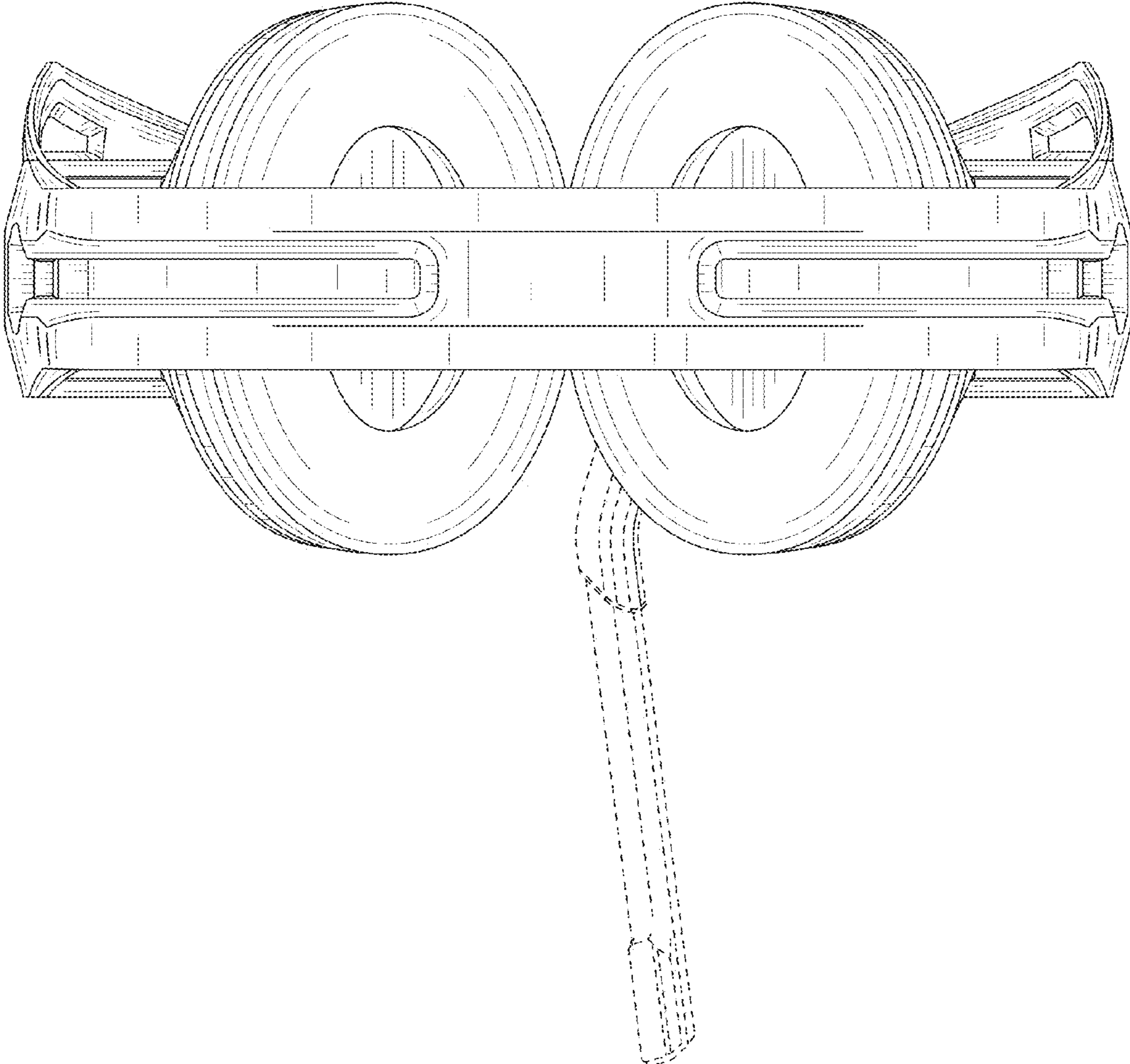


FIG. 7

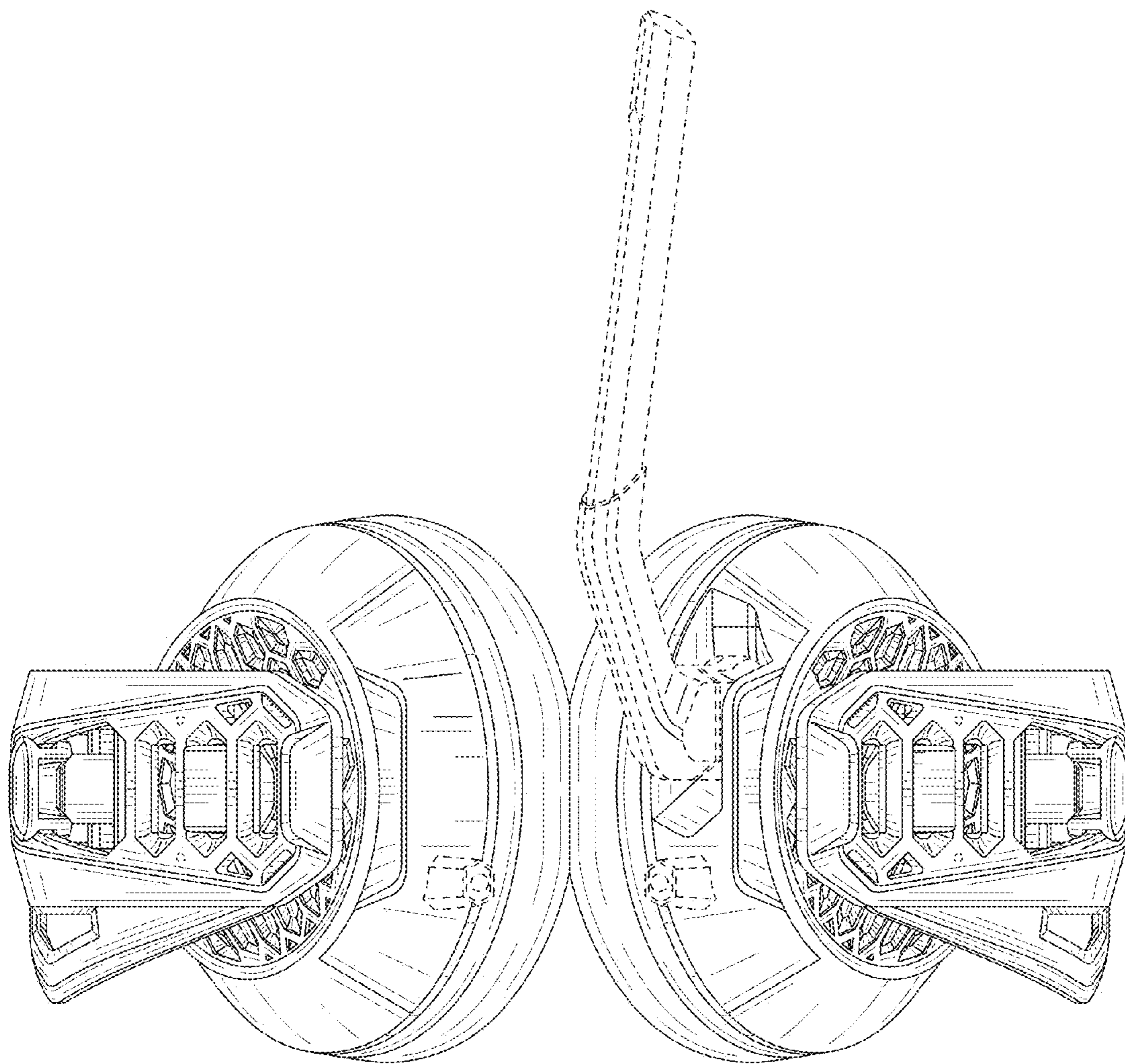


FIG. 8