



US00D766203S

(12) **United States Design Patent** (10) **Patent No.:** **US D766,203 S**
Webb (45) **Date of Patent:** **** Sep. 13, 2016**

- (54) **VOICE MASK**
- (71) Applicant: **TALK TECHNOLOGIES, INC.,**
Victoria, BC (CA)
- (72) Inventor: **Stephen Dell Webb, Victoria (CA)**
- (73) Assignee: **Talk Technologies, Inc. (CA)**
- (**) Term: **14 Years**
- (21) Appl. No.: **29/514,967**
- (22) Filed: **Jan. 19, 2015**
- (51) **LOC (10) Cl.** **14-01**
- (52) **U.S. Cl.**
USPC **D14/154**
- (58) **Field of Classification Search**
USPC D14/154, 158, 159; D24/110.1;
369/260; 379/441, 444, 447; 381/344
CPC H04M 1/05; H04M 1/19; H04R 1/08;
H04R 1/083
See application file for complete search history.

4,129,754 A 12/1978 Gore
 D427,986 S 7/2000 Webb
 6,121,881 A 9/2000 Bieback
 7,783,034 B2 8/2010 Manne
 D673,134 S 12/2012 Webb
 2008/0019540 A1 1/2008 van Kats
 2009/0141909 A1 6/2009 van Katz

Primary Examiner — Sandra Morris
 (74) *Attorney, Agent, or Firm* — Marc Baumgartner;
 Baumgartner Patent Law

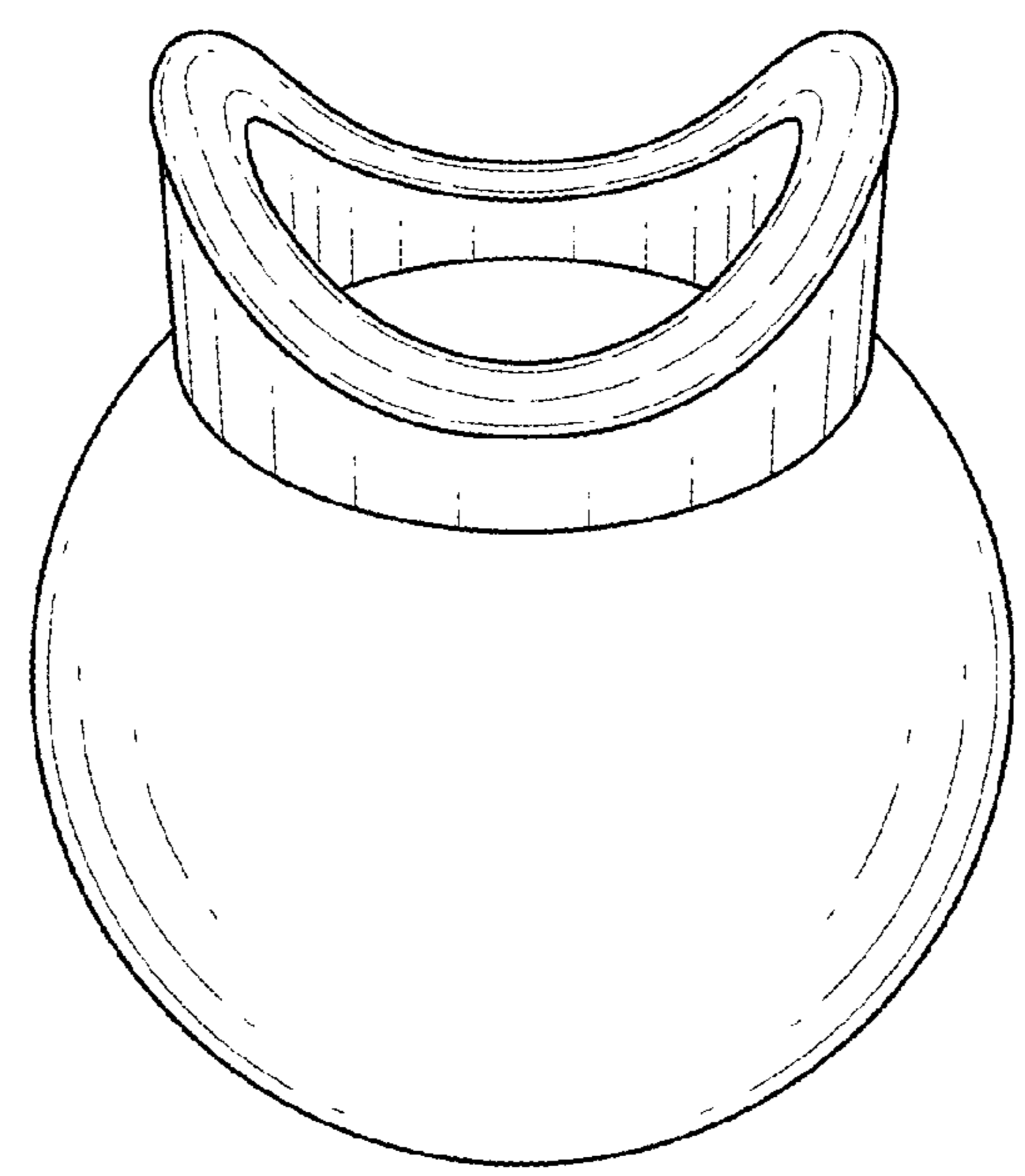
(57) **CLAIM**
 The ornamental design for a voice mask, as shown and described.

DESCRIPTION

FIG. 1 is an angled front perspective view of the voice mask; FIG. 2 is the front perspective view of the voice mask shown in FIG. 1; FIG. 3 is the rear perspective view of the voice mask shown in FIG. 1; FIG. 4 is the top perspective view of the voice mask shown in FIG. 1; and, FIG. 5 is the bottom perspective view of the voice mask shown in FIG. 1.

- (56) **References Cited**
 U.S. PATENT DOCUMENTS
 3,114,802 A 12/1963 Begijn
 3,193,624 A 7/1965 Webb

1 Claim, 3 Drawing Sheets



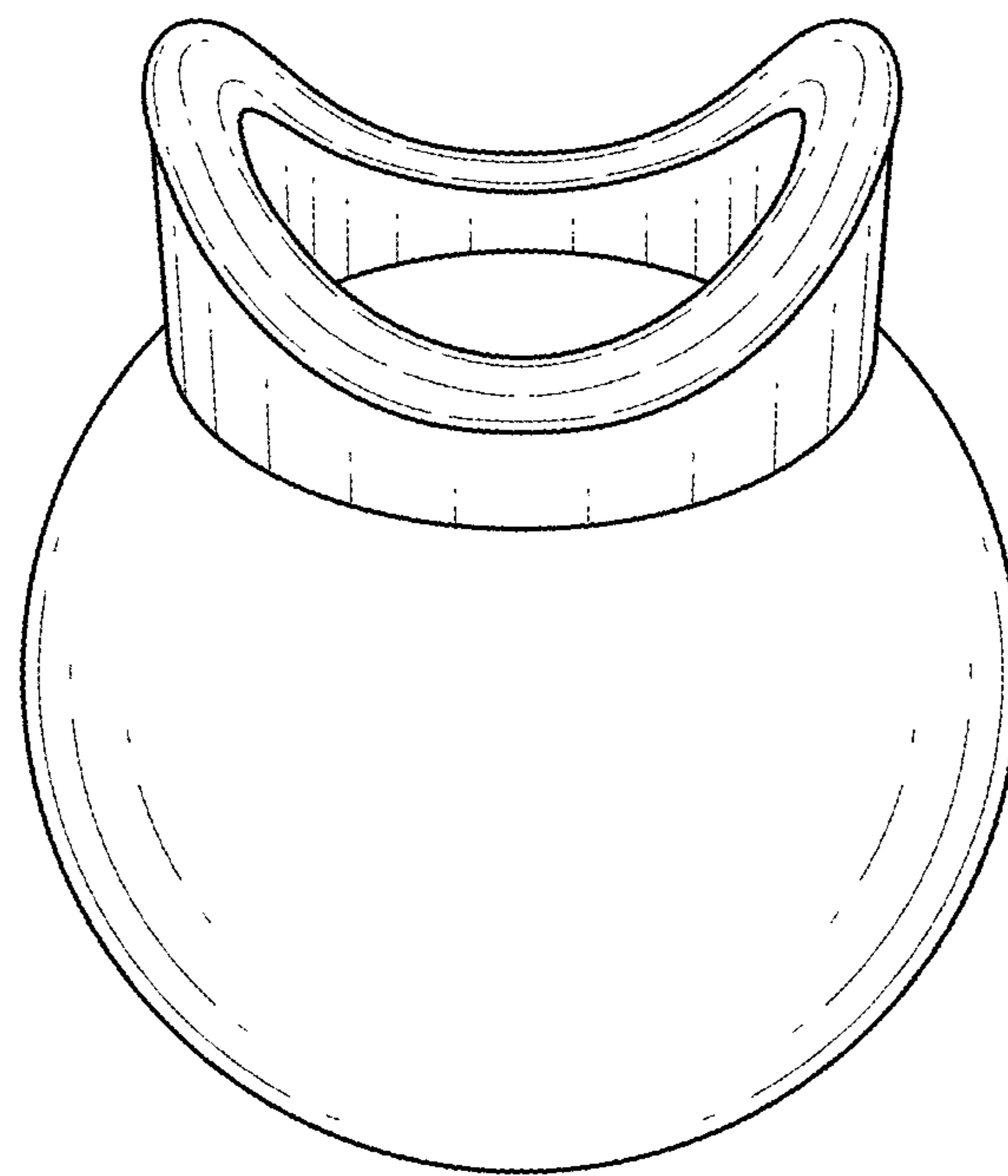


FIG. 1

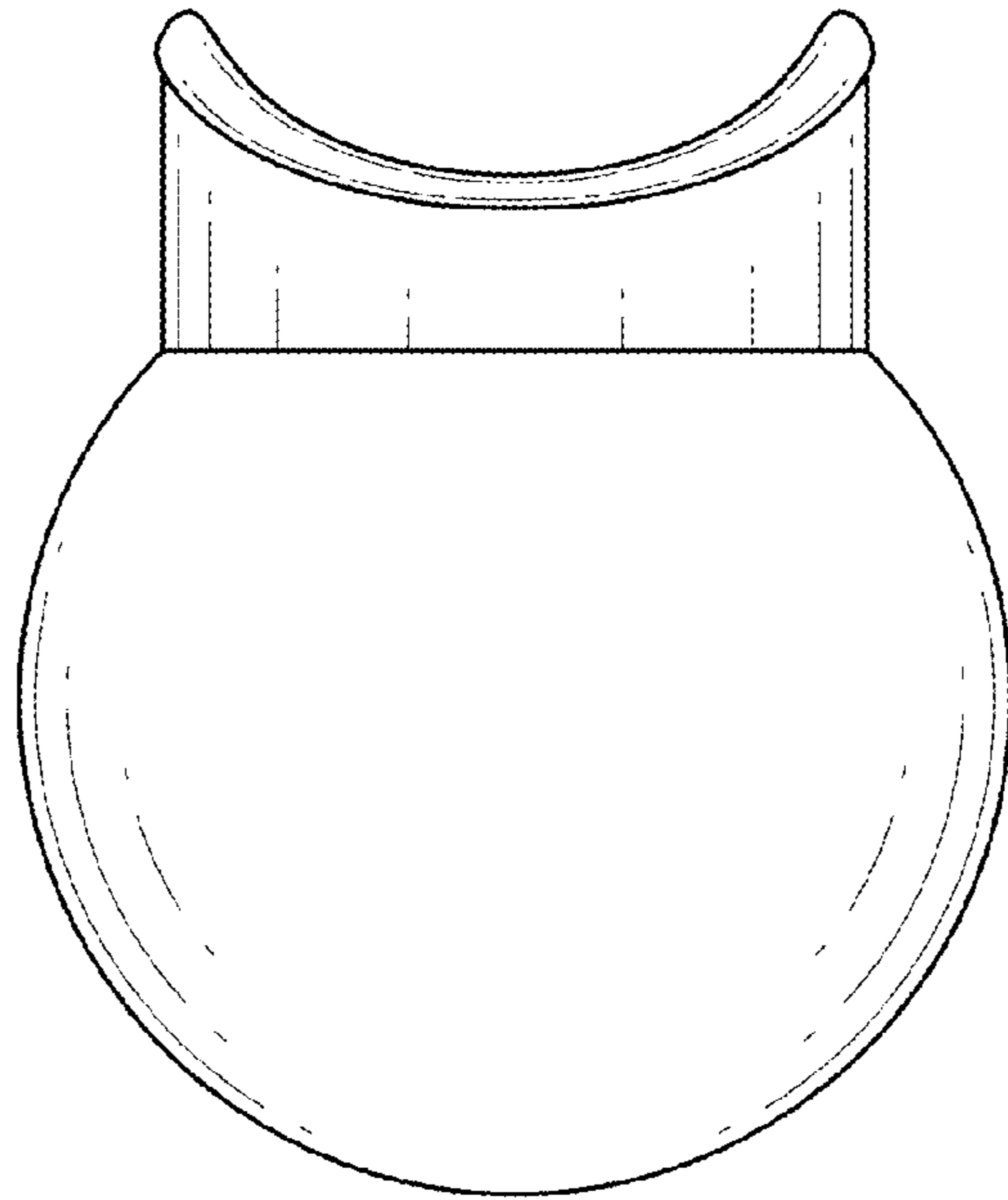


FIG. 2

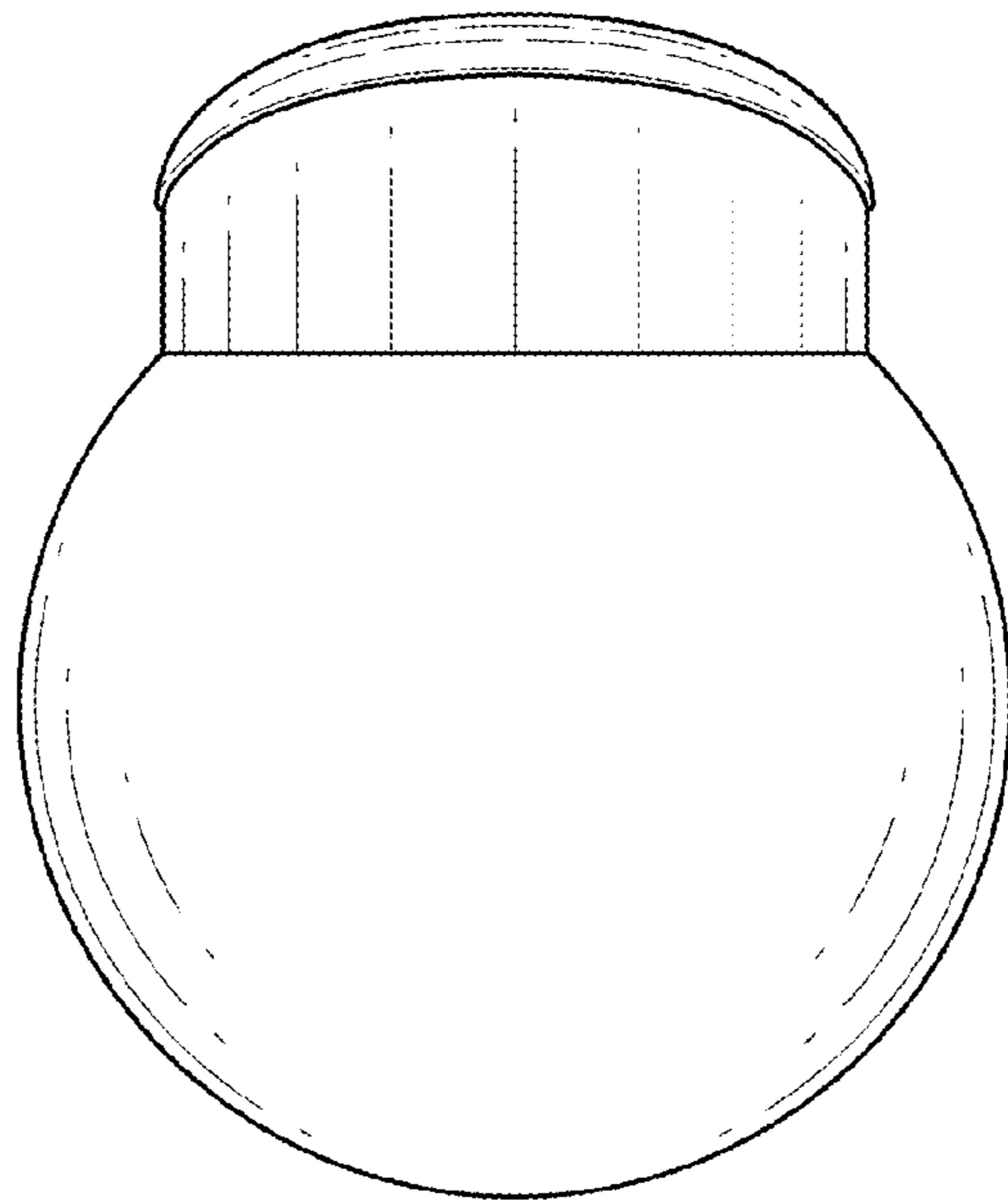


FIG. 3

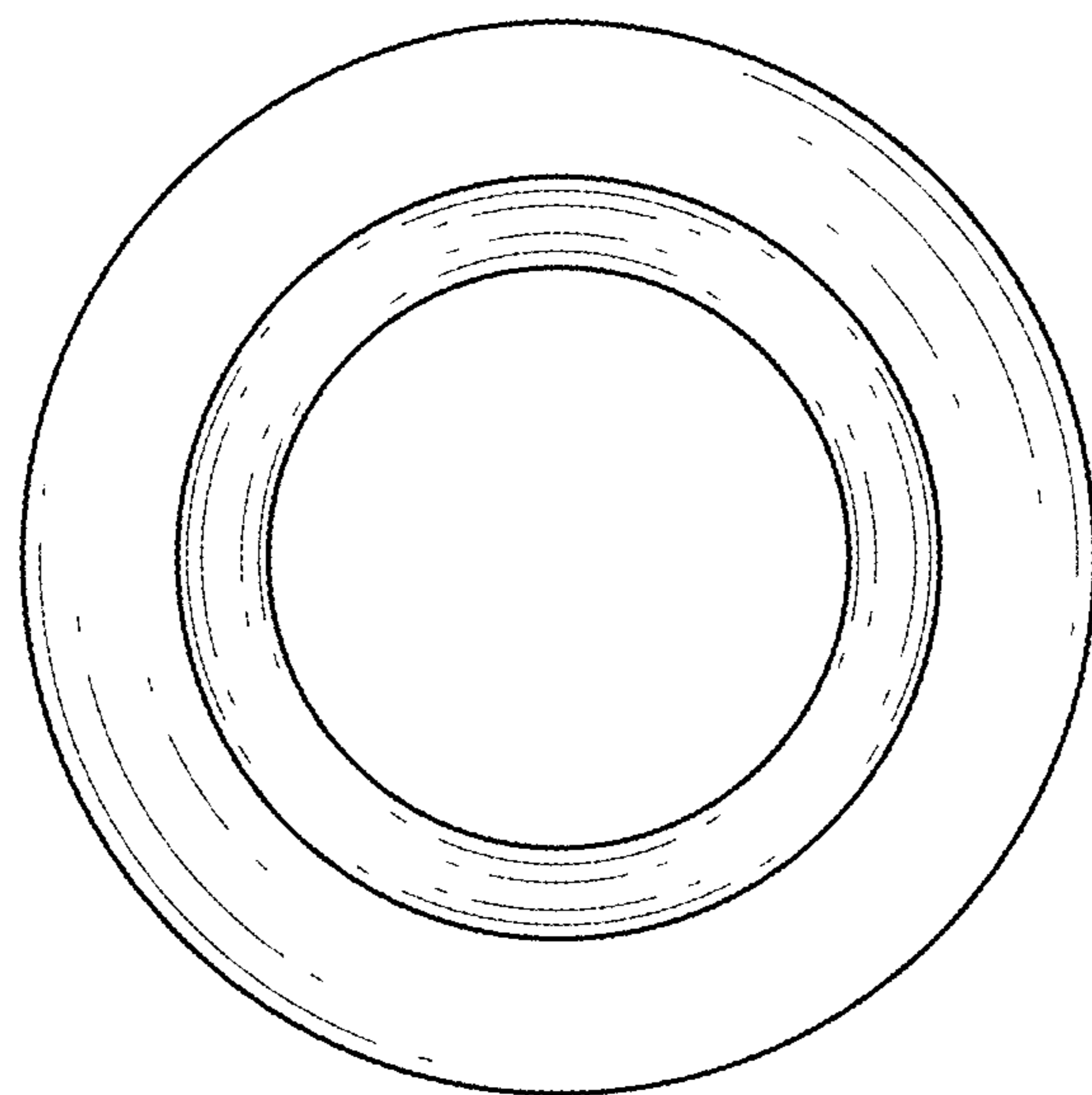


FIG. 4

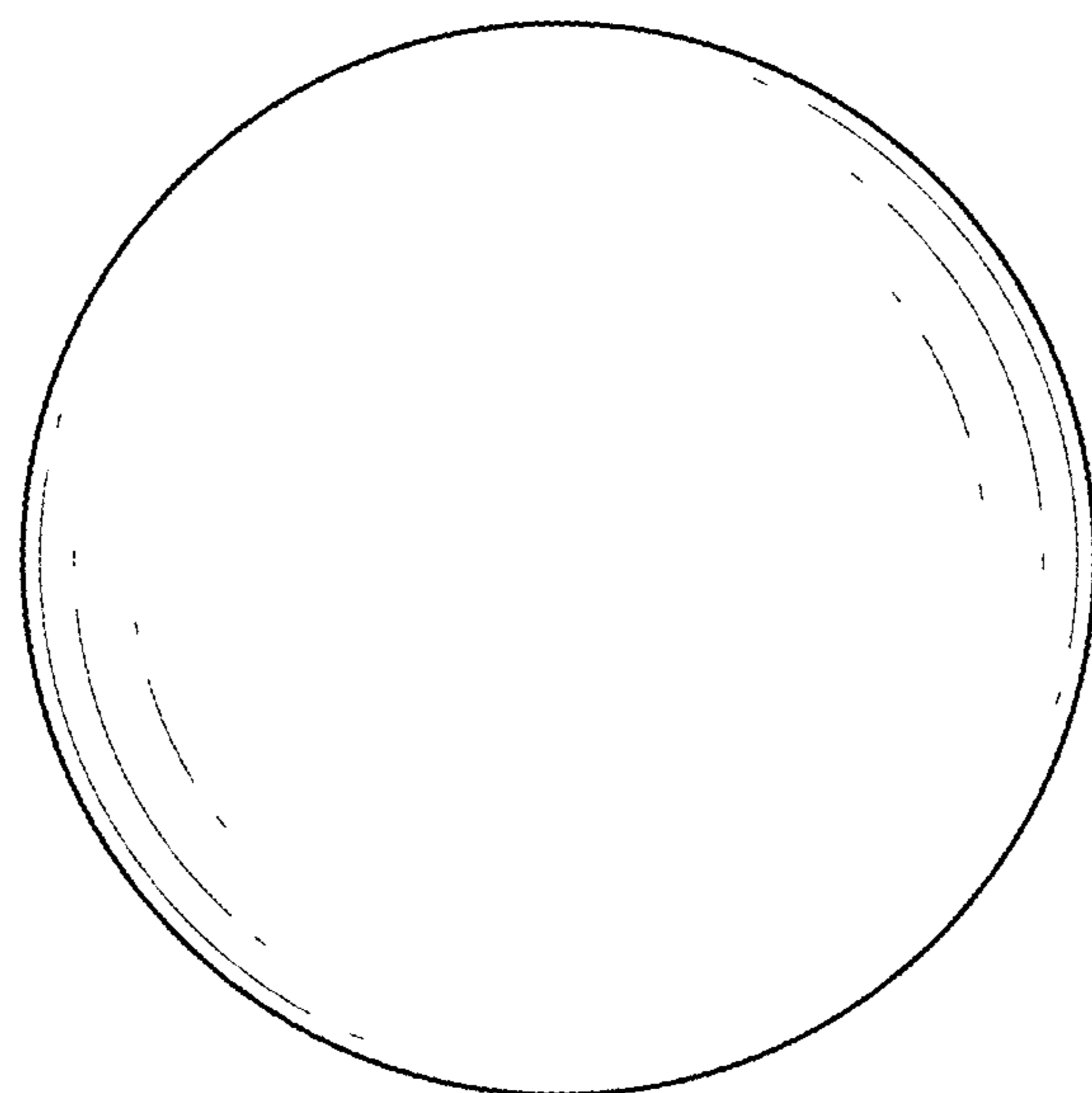


FIG. 5