



US00D766194S

(12) **United States Design Patent** (10) **Patent No.:** **US D766,194 S**
Zheng et al. (45) **Date of Patent:** **** Sep. 13, 2016**

(54) **CAM SWITCH**

(71) Applicant: **ABB Oy**, Helsinki (FI)

(72) Inventors: **Qifeng Zheng**, Quanzhou (CN); **Qishun Guo**, Xiamen SEZ (CN); **Xinde Lin**, WenLing (CN); **Jiejun Lu**, Xiamen SEZ (CN); **Shujing Ye**, Xiamen SEZ (CN)

(73) Assignee: **ABB Oy**, Helsinki (FI)

(**) Term: **15 Years**

(21) Appl. No.: **29/531,193**

(22) Filed: **Jun. 24, 2015**

4,851,620 A 7/1989 Schaeffer
 4,861,949 A 8/1989 Bortolloni et al.
 D393,626 S 4/1998 Siat
 6,072,128 A 6/2000 Ansorge et al.
 6,423,912 B1 7/2002 Arenz et al.
 6,576,851 B1 6/2003 Barlian et al.
 6,969,813 B1 11/2005 Winslett et al.
 7,368,675 B2 5/2008 Ishido et al.
 7,514,645 B2 4/2009 Shahmuradyan
 7,870,810 B2 1/2011 Da Dalt et al.
 D658,597 S 5/2012 Kuwae et al.
 D738,322 S * 9/2015 Zheng D13/158
 D738,323 S * 9/2015 Zheng D13/158
 D738,324 S * 9/2015 Zheng D13/158
 D749,048 S * 2/2016 Zheng D13/158
 D749,049 S * 2/2016 Zheng D13/158
 D749,050 S * 2/2016 Zheng D13/158
 D749,528 S * 2/2016 Zheng D13/158
 D749,529 S * 2/2016 Zheng D13/158
 D749,530 S * 2/2016 Zheng D13/158

Related U.S. Application Data

(62) Division of application No. 29/443,102, filed on Jan. 14, 2013.

(30) **Foreign Application Priority Data**

Jul. 16, 2012 (CN) 2012 3 0328647

(51) **LOC (10) Cl.** **13-03**

(52) **U.S. Cl.**
 USPC **D13/169**; D13/158

(58) **Field of Classification Search**

USPC D13/158, 160, 162, 169, 178
 CPC H01H 1/02; H01H 1/08; H01H 1/20;
 H01H 3/20; H01H 3/40; H01H 3/42; H01H
 9/22; H01H 9/282; H01H 19/00; H01H
 19/035; H01H 19/114; H01H 19/6355;
 H01H 19/64

See application file for complete search history.

(56) **References Cited**

U.S. PATENT DOCUMENTS

4,335,288 A 6/1982 Ludwig et al.
 4,713,498 A 12/1987 Ludwig et al.

(Continued)

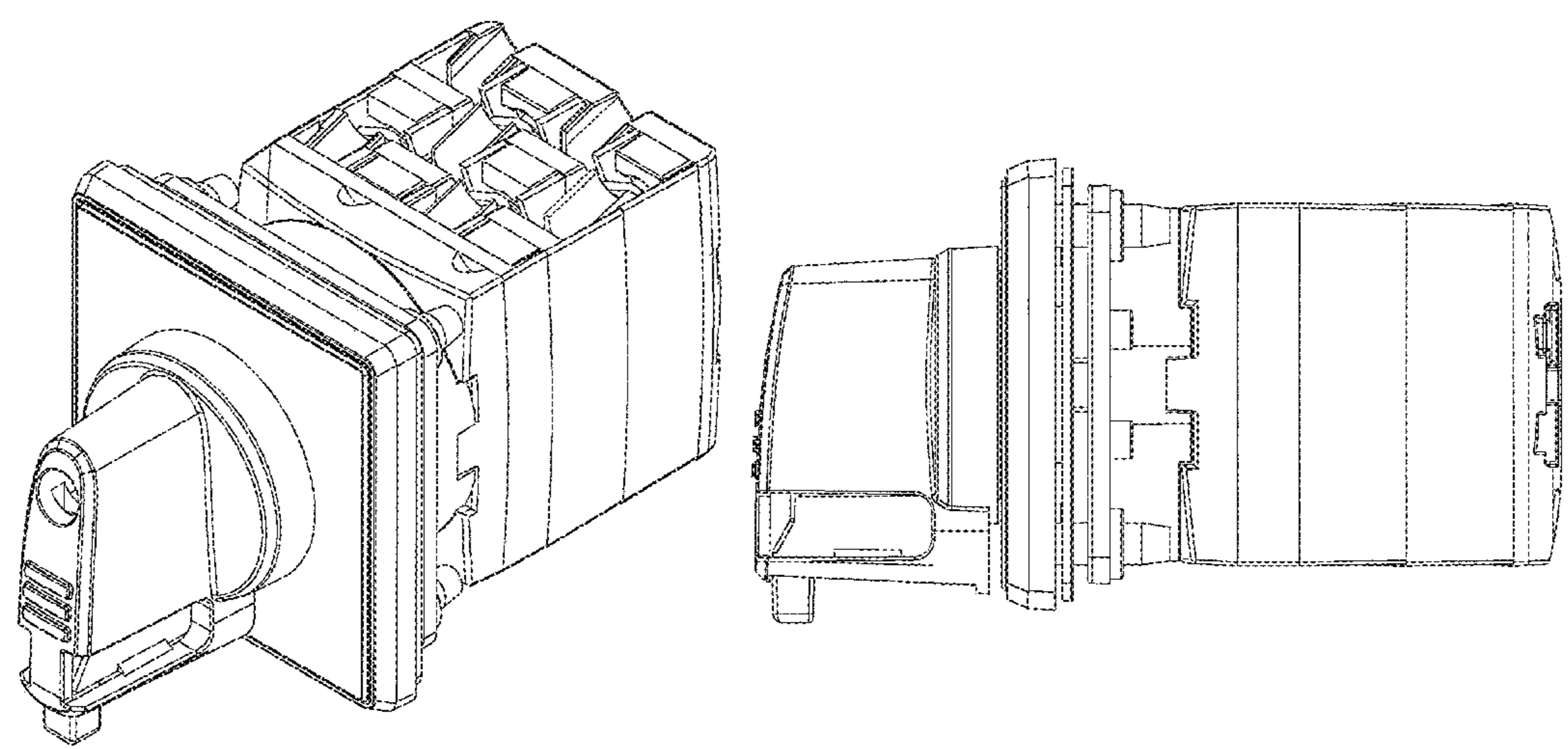
Primary Examiner — Selina Sikder
 (74) *Attorney, Agent, or Firm* — Taft Stettinius & Hollister
 LLP

(57) **CLAIM**
 The ornamental design for a cam switch, as shown and described.

DESCRIPTION

FIG. 1 is a perspective view of a cam switch showing our new design.
 FIG. 2 is a front elevational view thereof.
 FIG. 3 is a rear elevational view thereof.
 FIG. 4 is a left side elevational view thereof.
 FIG. 5 is a right side elevational view thereof.
 FIG. 6 is a top plan view thereof; and,
 FIG. 7 is a bottom plan view thereof.
 The broken line showing of the cam switch is for the purpose of illustrating environmental structure and forms no part of the claimed design.

1 Claim, 7 Drawing Sheets



US D766,194 S

Page 2

(56)

References Cited

U.S. PATENT DOCUMENTS

D750,576 S * 3/2016 Zheng D13/158
D752,525 S * 3/2016 Zheng D13/158

D752,526 S * 3/2016 Zheng D13/158
D753,610 S * 4/2016 Zheng D13/158
2012/0080298 A1 4/2012 Lee
2014/0326585 A1 11/2014 Reinhart et al.

* cited by examiner

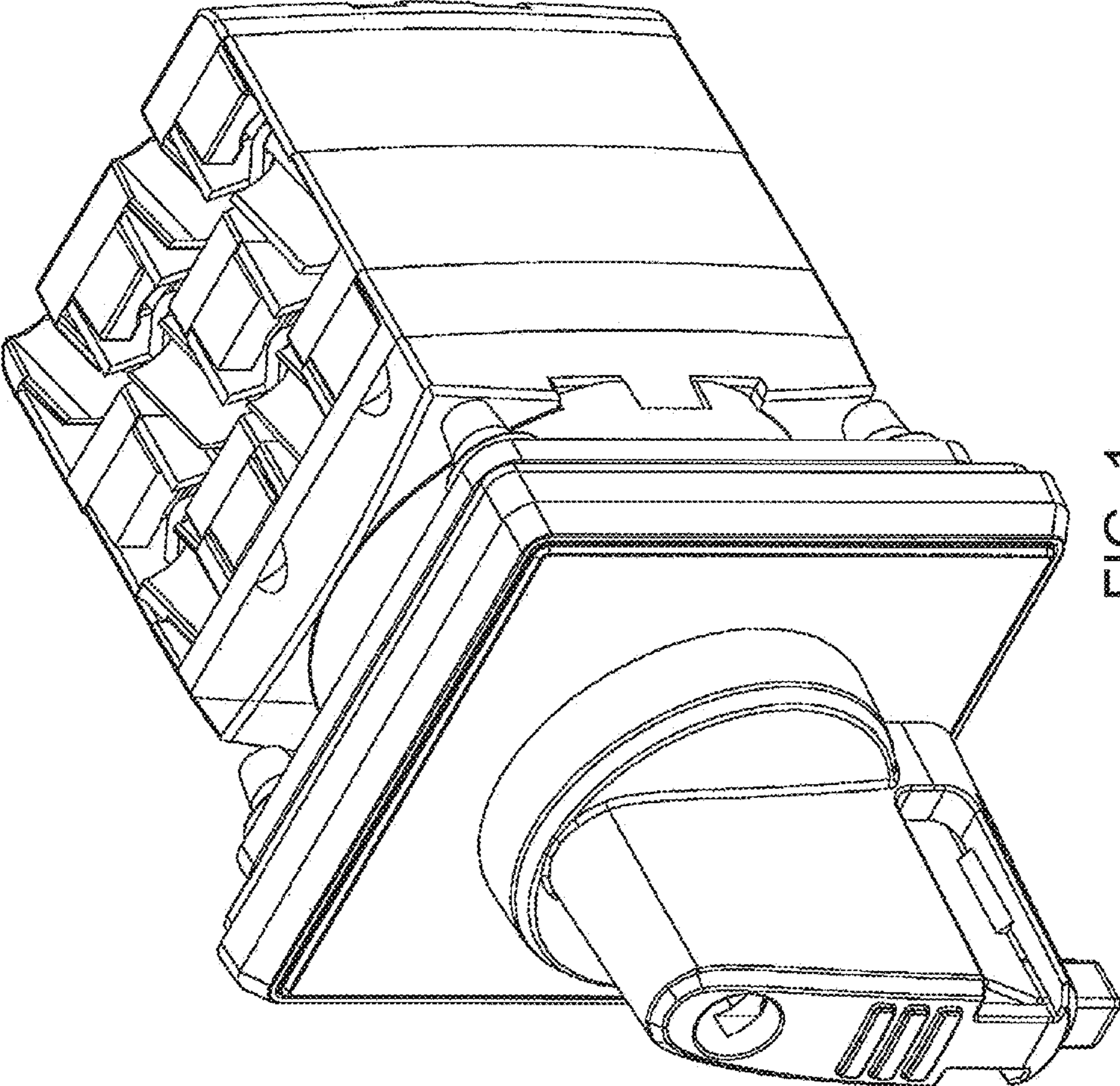


FIG. 1

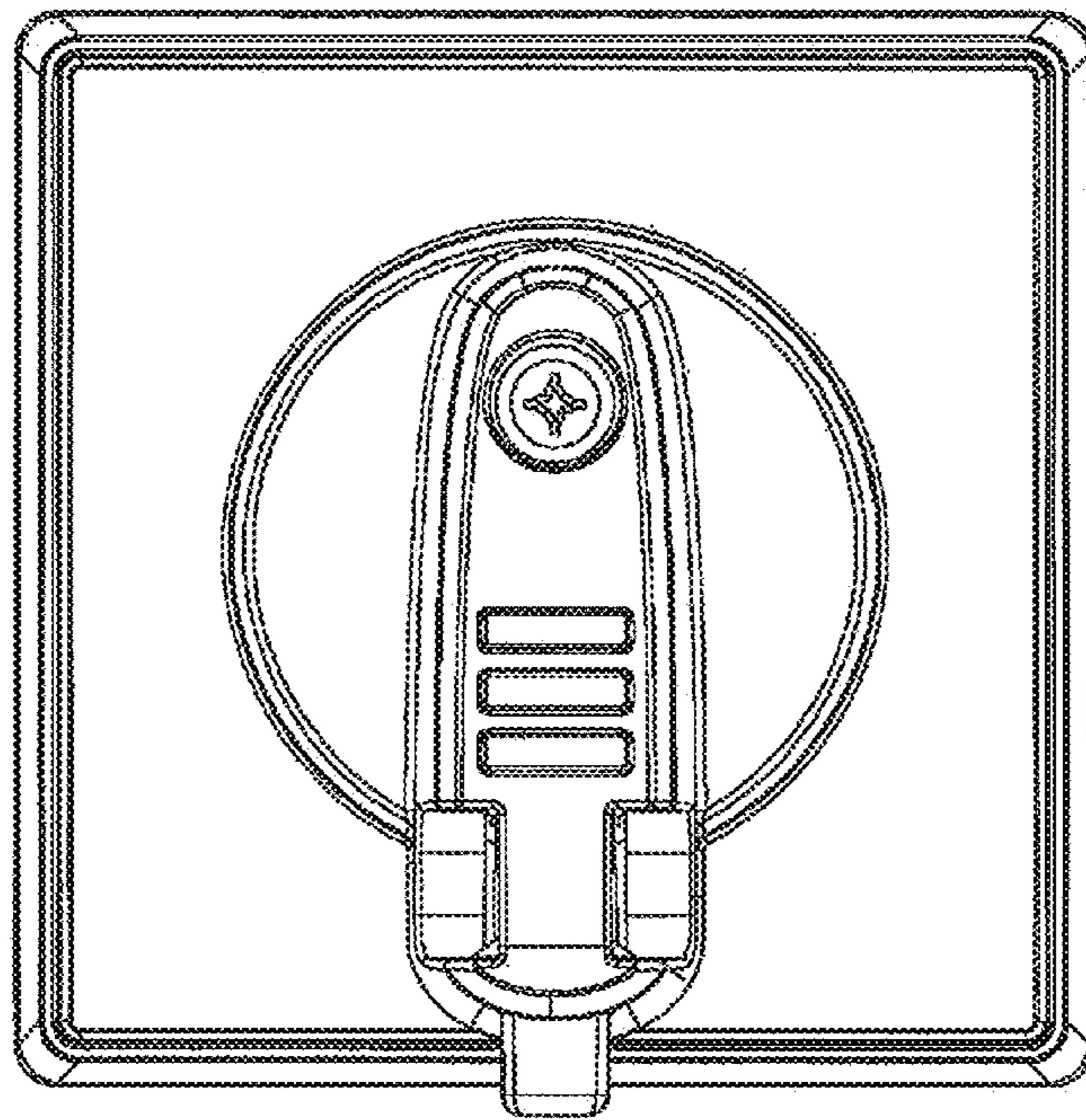


FIG. 2

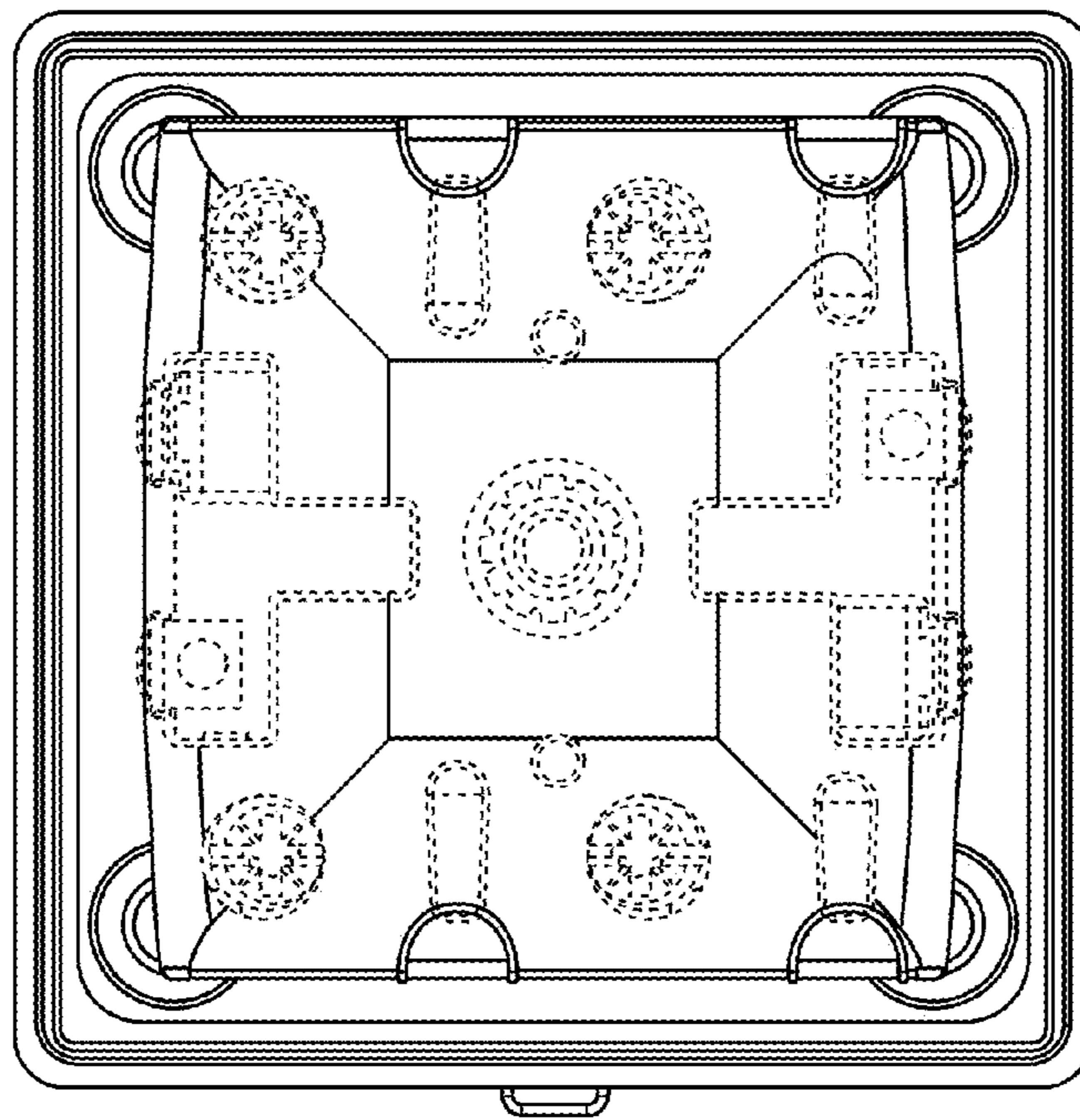


FIG. 3

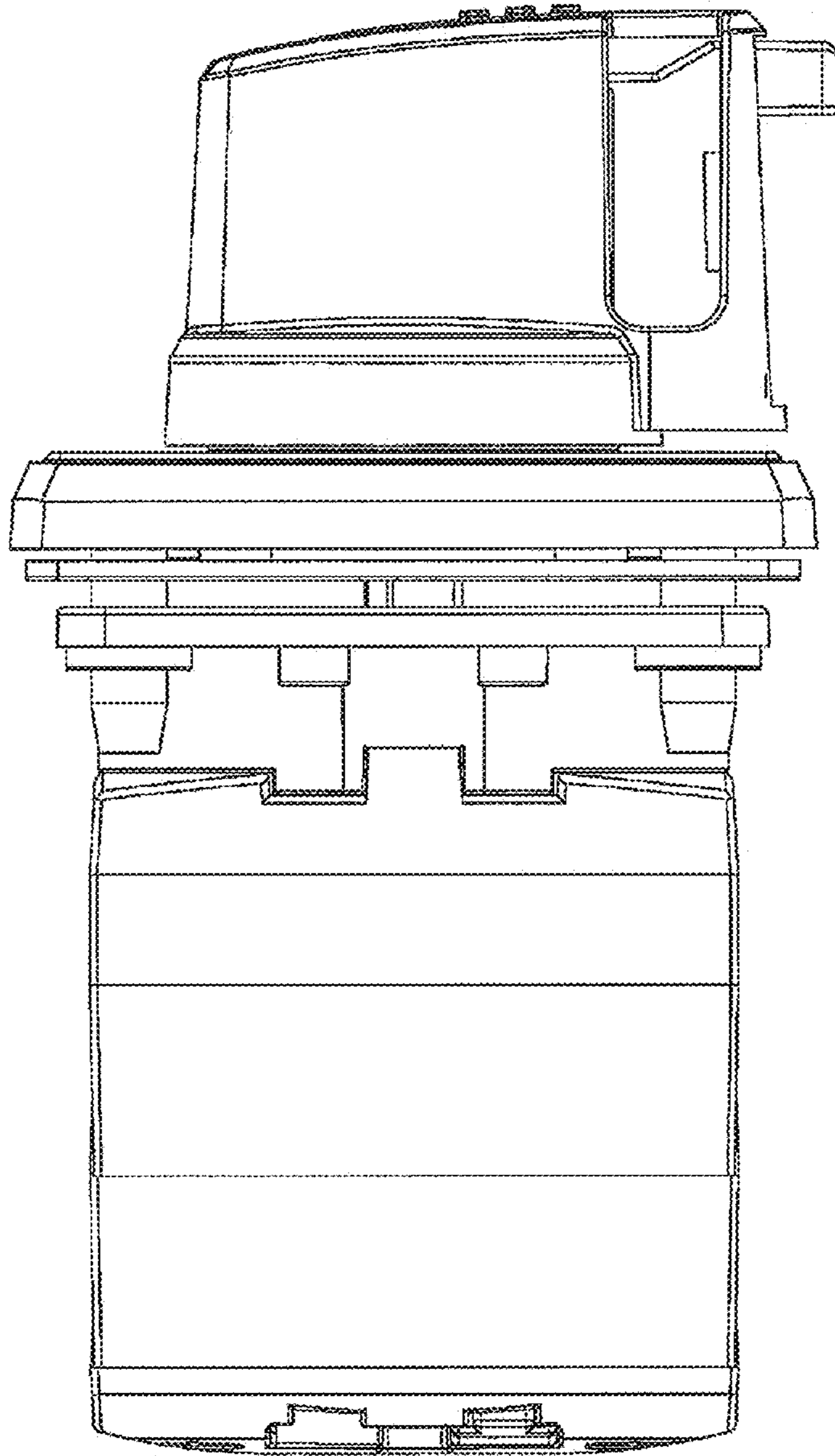


FIG. 4

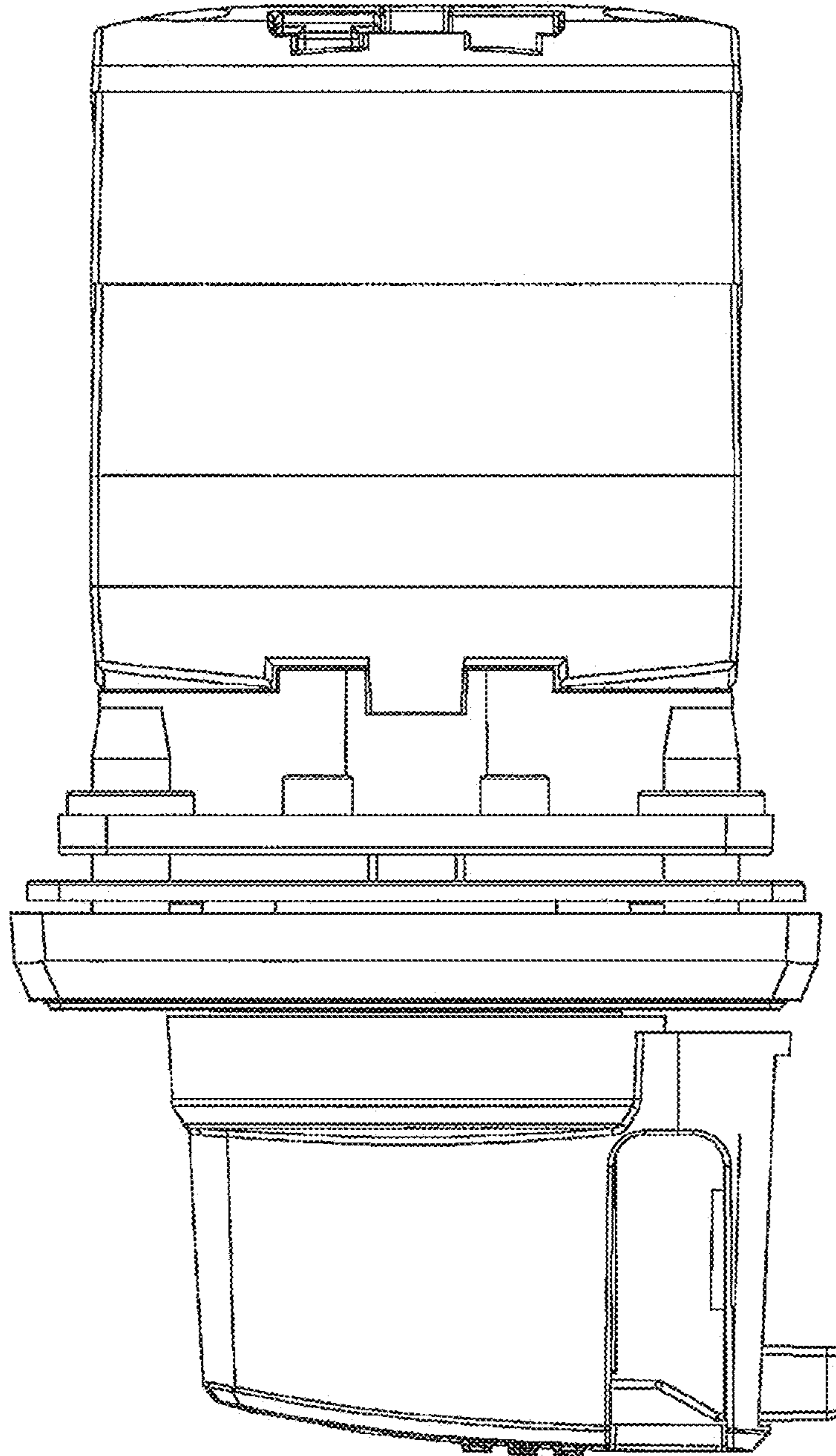


FIG. 5

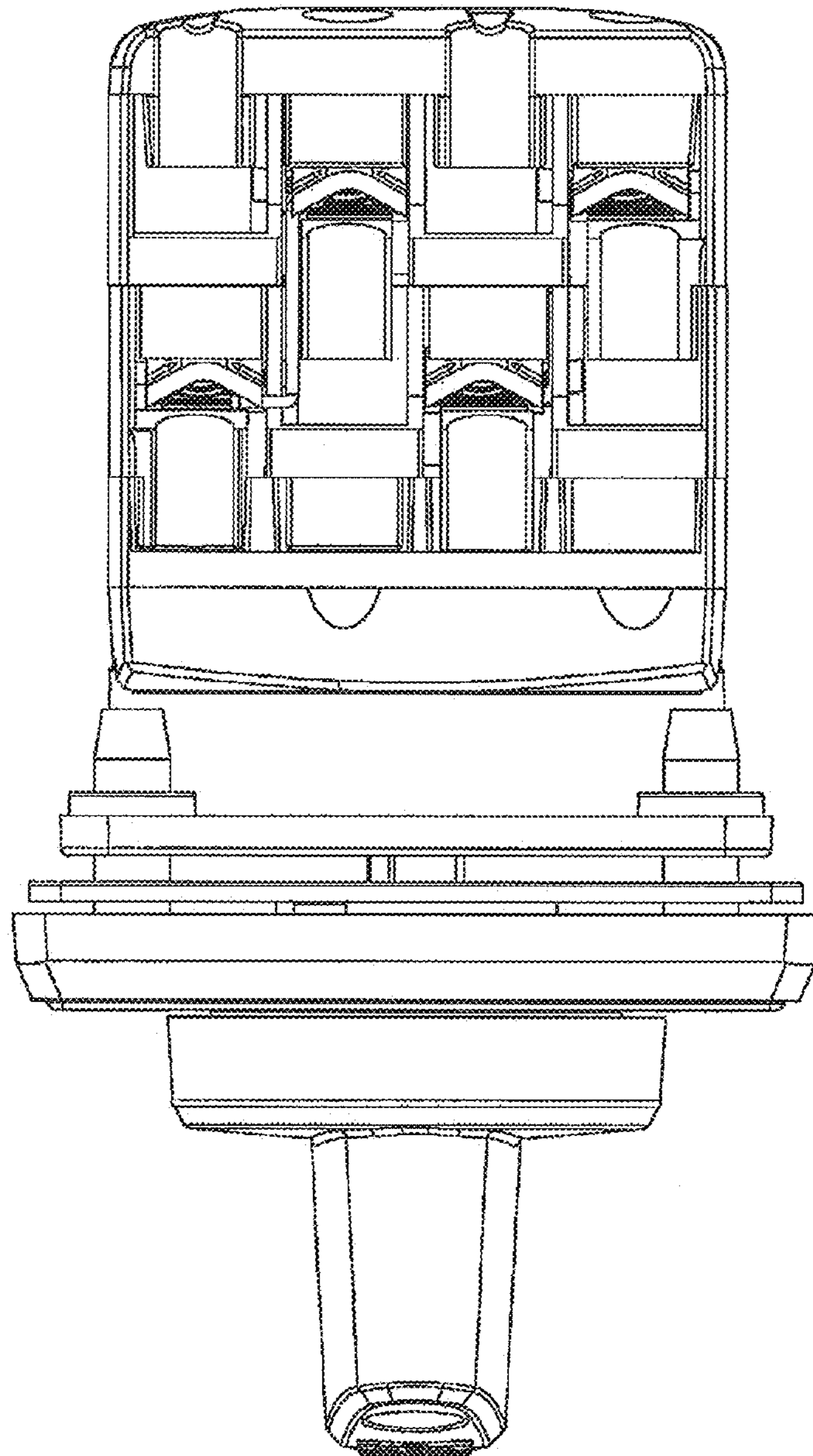


FIG. 6

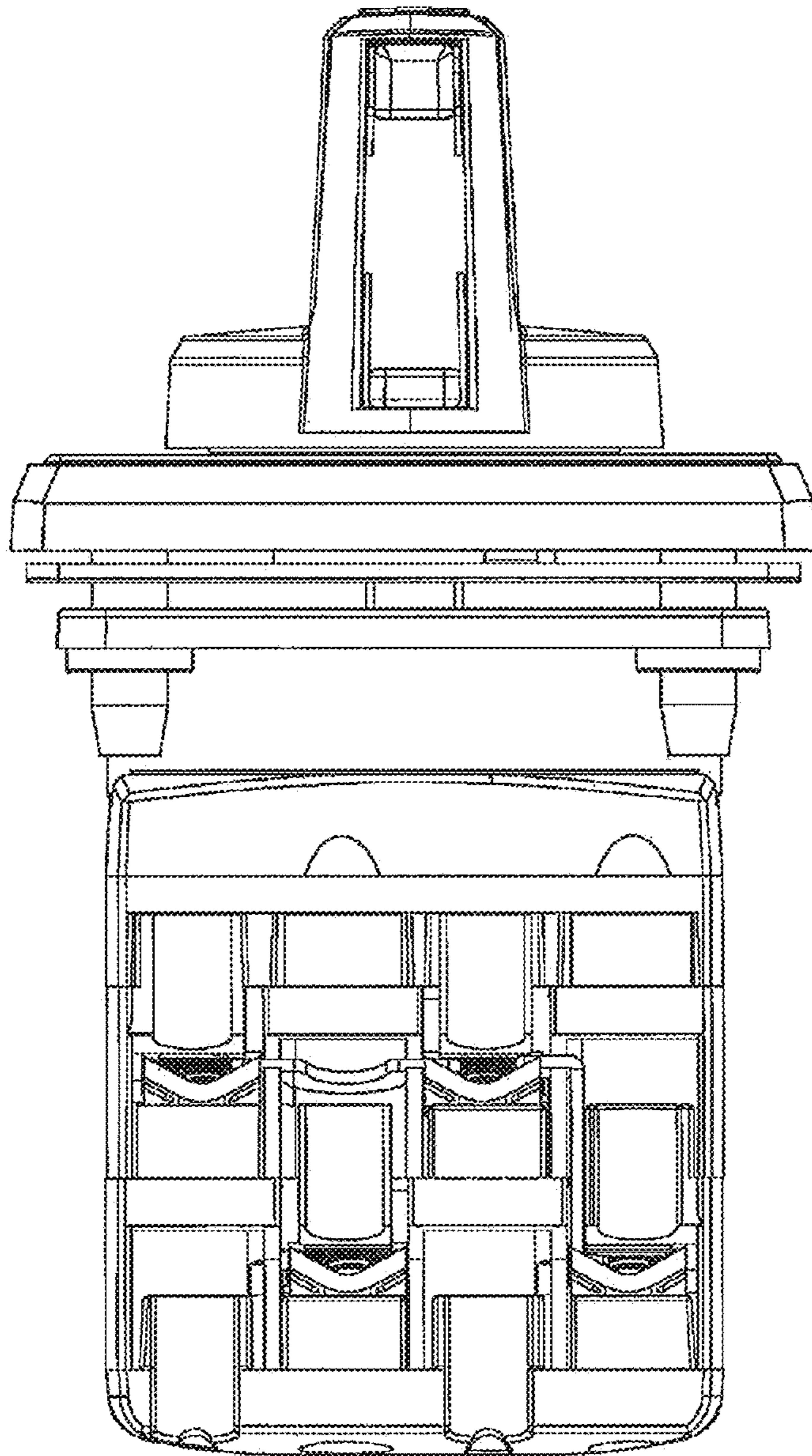


FIG. 7