

US00D766192S

(12) **United States Design Patent** (10) **Patent No.:** **US D766,192 S**
Daubenmerkl et al. (45) **Date of Patent:** **** *Sep. 13, 2016**

(54) **FLAT PANEL DISPLAY DEVICE**
(71) Applicant: **Siemens Aktiengesellschaft**, Munich (DE)
(72) Inventors: **Christian Daubenmerkl**, Hahnbach (DE); **Philip Fuerstenhöfer**, Fuerth (DE); **Stephan Huehne**, Fuerth (DE); **Oliver Joehnßen**, Erlangen (DE); **Alexander Mueller**, Langensendelbach (DE); **Tobias Reese**, Bamberg (DE); **Ulrich Ringer**, Amberg (DE); **Heinrich Schlichting**, Wenzenbach (DE); **Torsten Vogt**, Altdorf b. Nbg. (DE); **Gerd Webermann**, Herzogenaurach (DE)
(73) Assignee: **Siemens Aktiengesellschaft**, Munich (DE)
(*) Notice: This patent is subject to a terminal disclaimer.
(**) Term: **14 Years**
(21) Appl. No.: **29/520,244**
(22) Filed: **Mar. 12, 2015**
(30) **Foreign Application Priority Data**
Sep. 23, 2014 (EM) 001422505
(51) **LOC (10) Cl.** **13-03**
(52) **U.S. Cl.**
USPC **D13/162; D13/168**
(58) **Field of Classification Search**
USPC D13/162, 164, 168; D14/400, 401, 341; D21/333; 361/679.01
CPC B60R 11/0235; B60R 11/0264; G05B 15/02; G05B 11/01; G05B 19/02; G05B 19/04; G05B 19/05; G05B 19/409; H05K 5/0017; H05K 5/02; H05K 5/0234; H05K 5/0247; H05K 5/03; H05K 5/069; G06F 9/00

See application file for complete search history.

(56) **References Cited**
U.S. PATENT DOCUMENTS
D541,798 S * 5/2007 Ichida D13/162.1
D557,221 S * 12/2007 Ewringmann D13/164
D558,152 S * 12/2007 Tatsuyama D13/162
D566,597 S * 4/2008 Schneor D10/103
7,528,710 B2 * 5/2009 Halfmann G05B 9/02
340/438
D608,302 S * 1/2010 Liu D13/164
7,783,387 B2 * 8/2010 Calcagno G05B 19/42
318/567
7,864,158 B1 * 1/2011 McGeever G05B 19/409
345/158
8,423,185 B2 * 4/2013 Sakaguchi G05B 19/409
700/248
D689,443 S * 9/2013 Ewringmann D13/164
D735,680 S * 8/2015 Harrison D13/162
D748,065 S * 1/2016 Trochum D13/162
2004/0248619 A1 * 12/2004 Graiger G05B 19/409
455/566
2005/0141681 A1 * 6/2005 Graiger G05B 19/409
379/90.01
2006/0164801 A1 * 7/2006 Yoo B60R 11/0235
361/679.01
2008/0112118 A1 * 5/2008 Osaka G05B 19/05
361/679.01

(Continued)

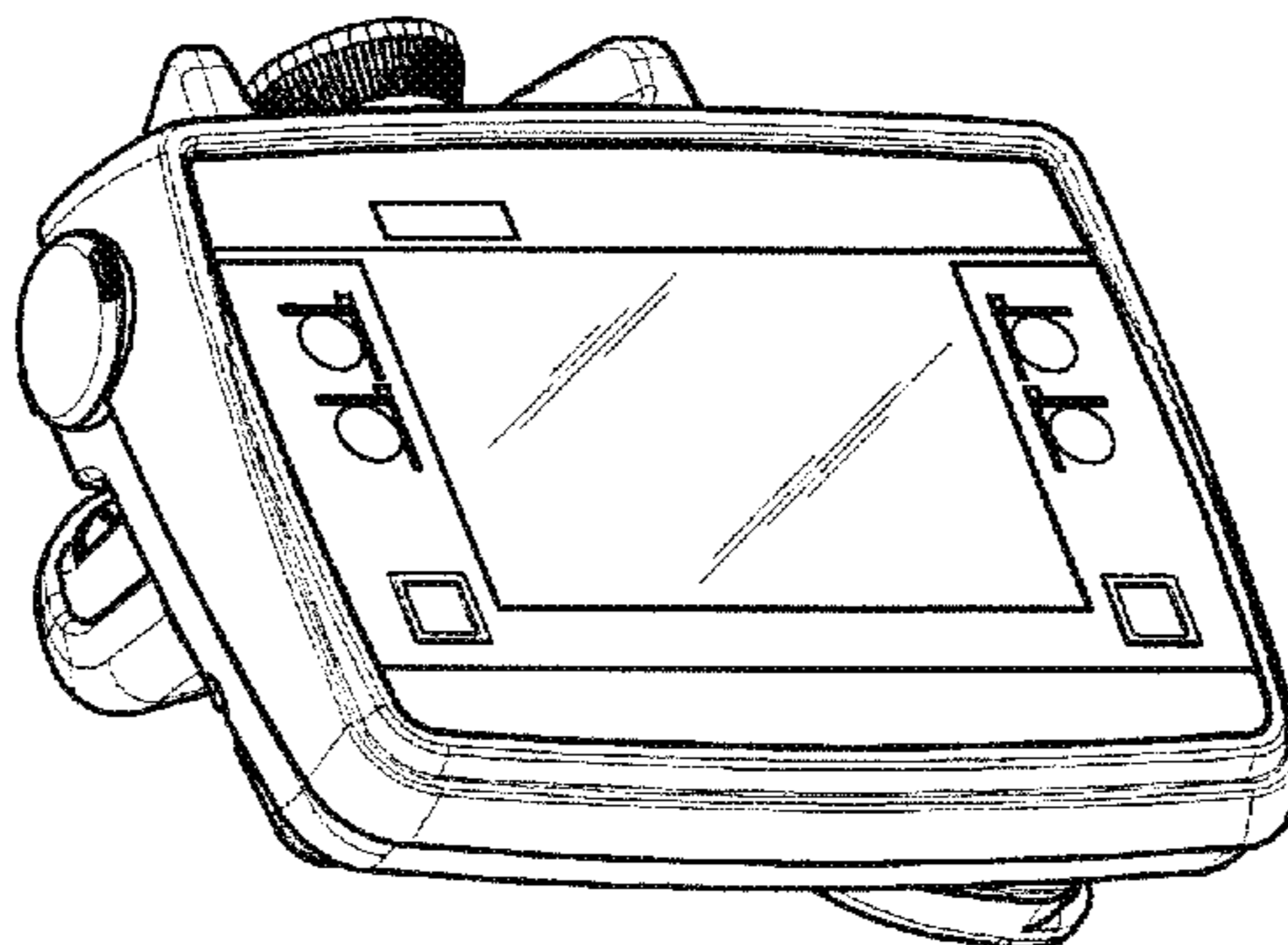
Primary Examiner — Selina Sikder
(74) *Attorney, Agent, or Firm* — Cozen O'Connor

(57) **CLAIM**
The ornamental design for a flat panel display device, as shown and described.

DESCRIPTION

FIG. 1 is a front elevational view of a flat panel display device showing our new design;
FIG. 2 is a rear elevational view thereof;
FIG. 3 is a top plan view thereof;
FIG. 4 is a bottom plan view thereof;
FIG. 5 is a right-side elevation view thereof;
FIG. 6 is left-side elevation view thereof; and,
FIG. 7 is a front, top and left-side perspective view thereof.

1 Claim, 7 Drawing Sheets



US D766,192 S

Page 2

(56)

References Cited

U.S. PATENT DOCUMENTS

2012/0281345 A1*	11/2012	Masaki	G02F 1/1333 361/679.01	2014/0049888 A1*	2/2014	Ahn	G06F 1/1624 361/679.01
2013/0258567 A1*	10/2013	Eul	B60R 11/0264 361/679.01	2014/0211387 A1*	7/2014	Richardson	G06F 1/1626 361/679.01
				2015/0028731 A1*	1/2015	Etlinger	H05K 5/061 312/223.1

* cited by examiner

FIG 1

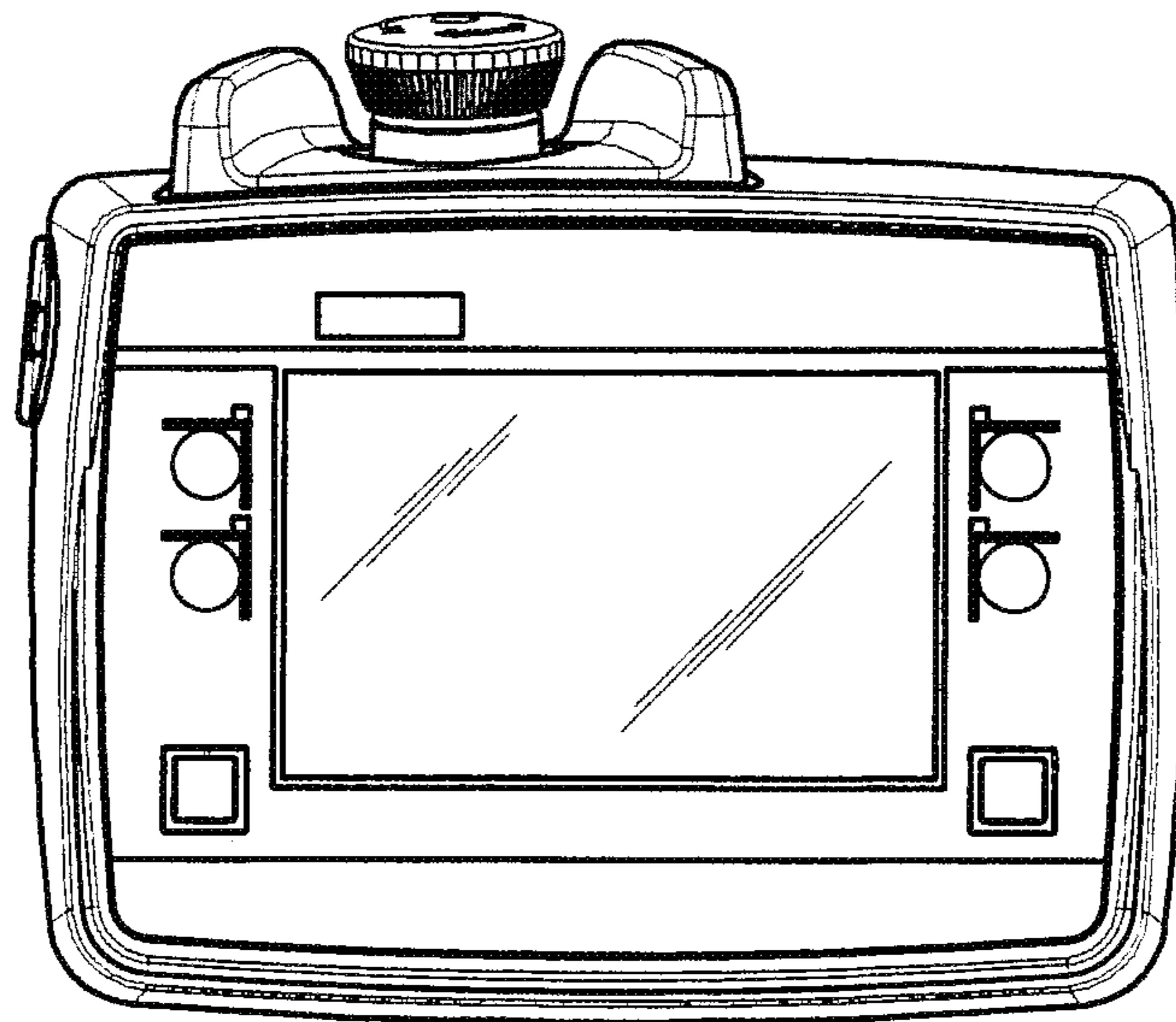


FIG 2

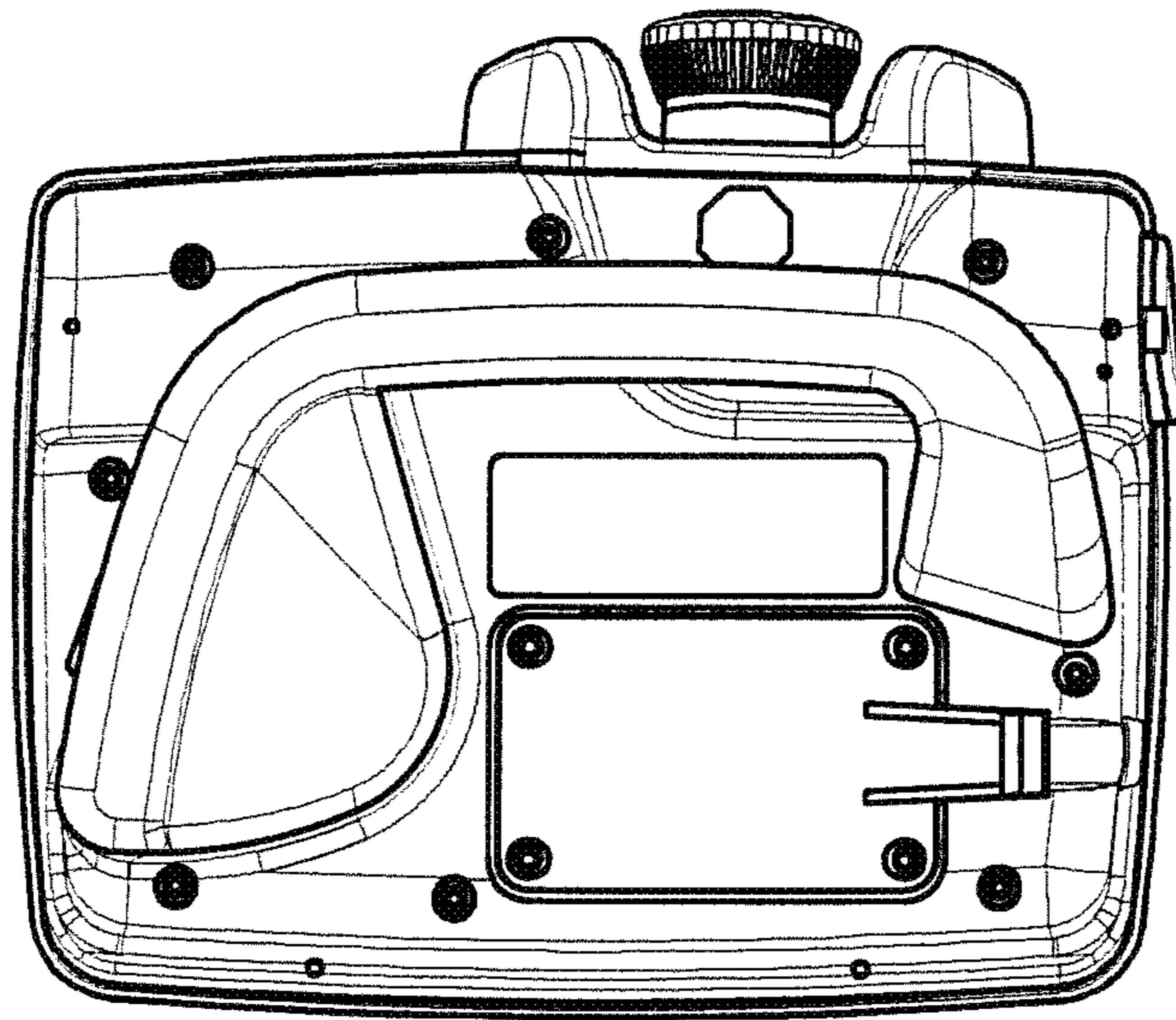


FIG 3

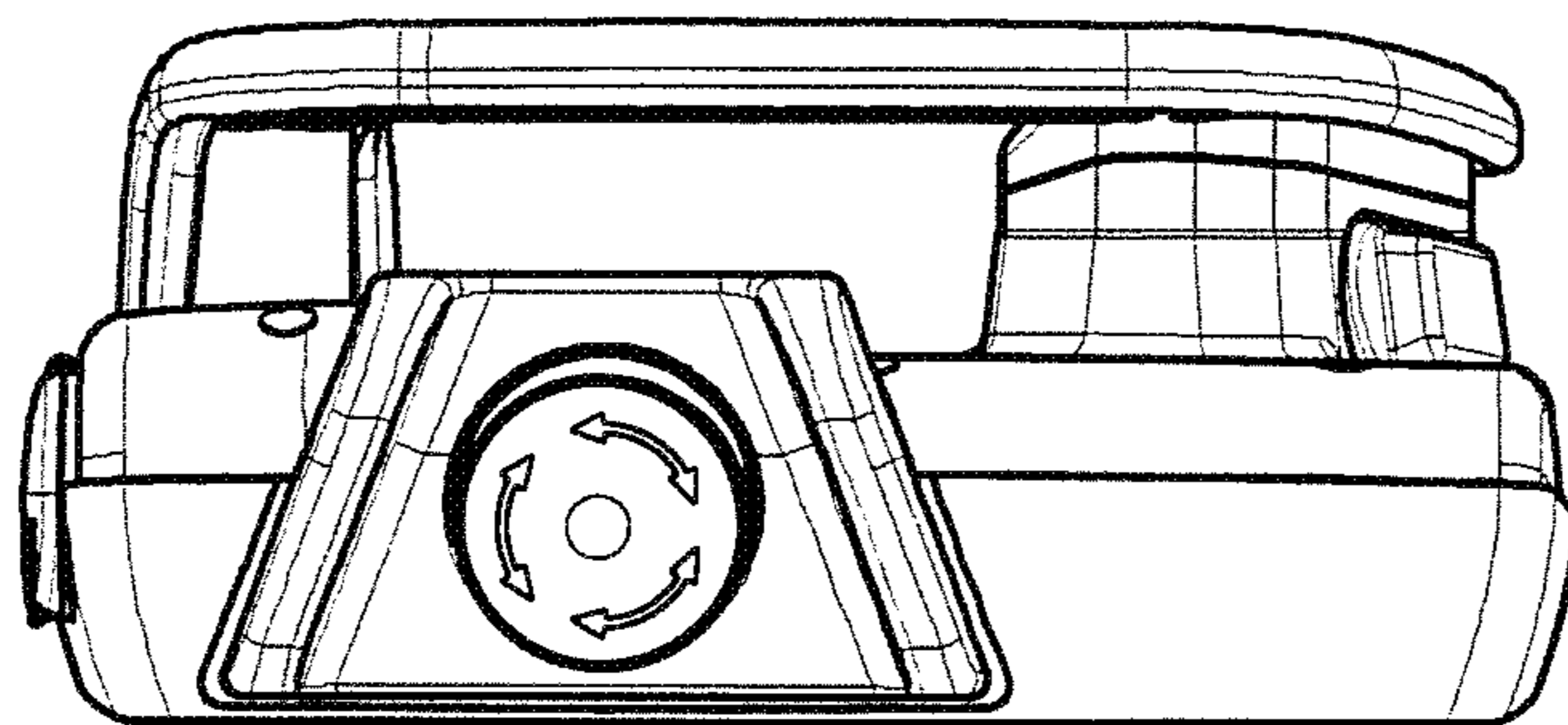


FIG 4

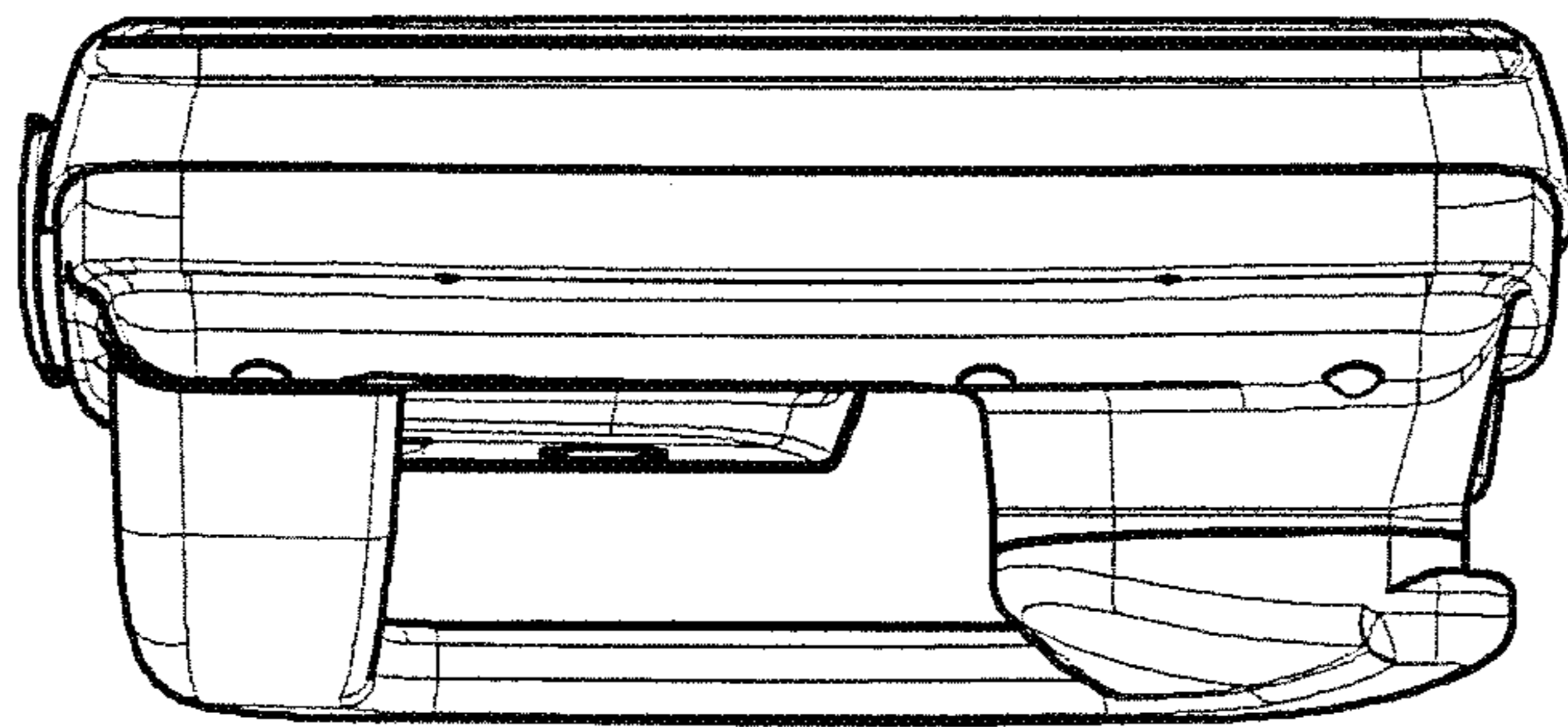


FIG 5

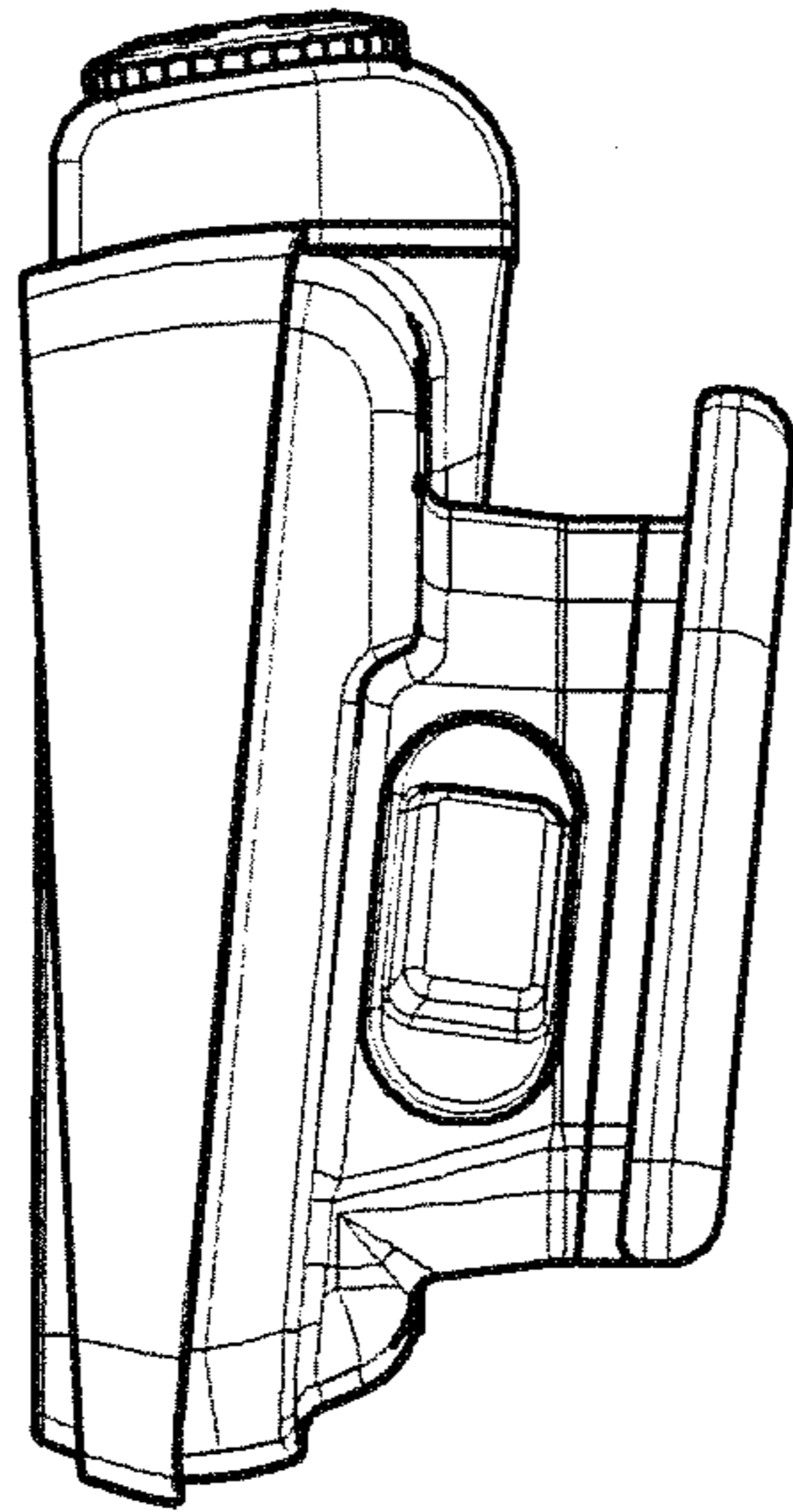


FIG 6

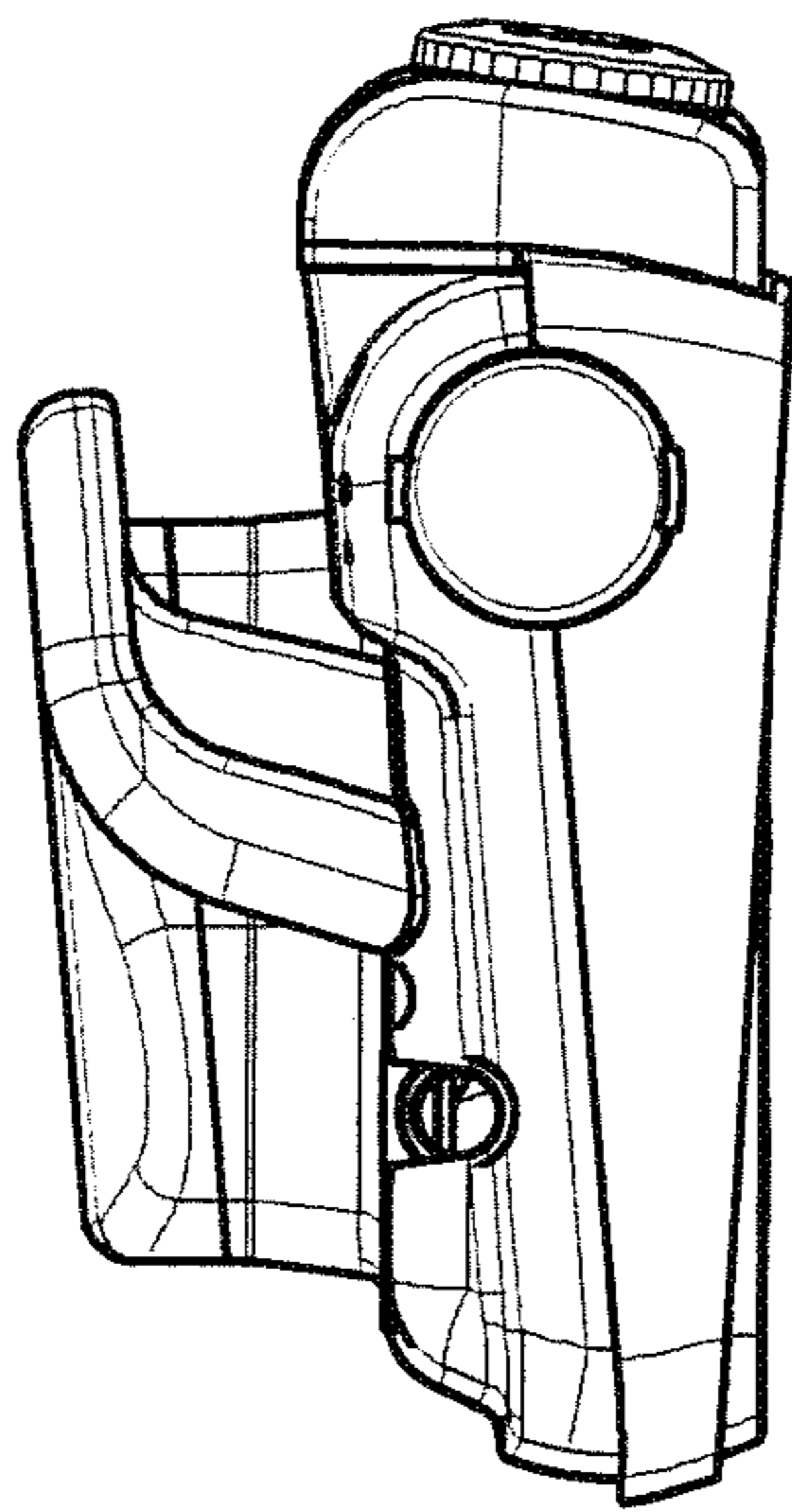


FIG 7

