



US00D766189S

(12) **United States Design Patent**
Gieski et al.

(10) **Patent No.:** **US D766,189 S**
(45) **Date of Patent:** **** Sep. 13, 2016**

(54) **ELECTRICAL CONNECTOR HOUSING**

(71) Applicants: **Christopher S. Gieski**, Dillsburg, PA (US); **William E. Tanis**, Mechanicsburg, PA (US); **Gregory A. Hull**, York, PA (US)

(72) Inventors: **Christopher S. Gieski**, Dillsburg, PA (US); **William E. Tanis**, Mechanicsburg, PA (US); **Gregory A. Hull**, York, PA (US)

(73) Assignee: **FCI Americas Technology LLC**, Carson City, NV (US)

(**) Term: **15 Years**

(21) Appl. No.: **29/544,493**

(22) Filed: **Nov. 4, 2015**

Related U.S. Application Data

(63) Continuation of application No. 29/473,975, filed on Nov. 27, 2013, now Pat. No. Des. 742,835.

(51) **LOC (10) Cl.** **13-03**

(52) **U.S. Cl.**
USPC **D13/154**; D13/147

(58) **Field of Classification Search**
USPC D13/146, 147, 154, 184, 199
See application file for complete search history.

(56) **References Cited**

U.S. PATENT DOCUMENTS

D517,992 S	3/2006	Riku	
D520,454 S	5/2006	Riku	
D616,827 S	6/2010	Ngo et al.	
D626,074 S	10/2010	Ngo et al.	
D629,761 S	12/2010	Ngo et al.	
D636,737 S	4/2011	Ngo et al.	
D713,356 S	9/2014	Buck et al.	
D742,835 S *	11/2015	Gieski D13/154
2013/0273781 A1	10/2013	Buck et al.	

OTHER PUBLICATIONS

U.S. Appl. No. 29/544,497, filed Nov. 4, 2015, Gieski.
U.S. Appl. No. 29/473,981, filed Nov. 27, 2013, Gieski et al.

* cited by examiner

Primary Examiner — Daniel Bui

(57) **CLAIM**

The ornamental design for an electrical connector housing, as shown and described.

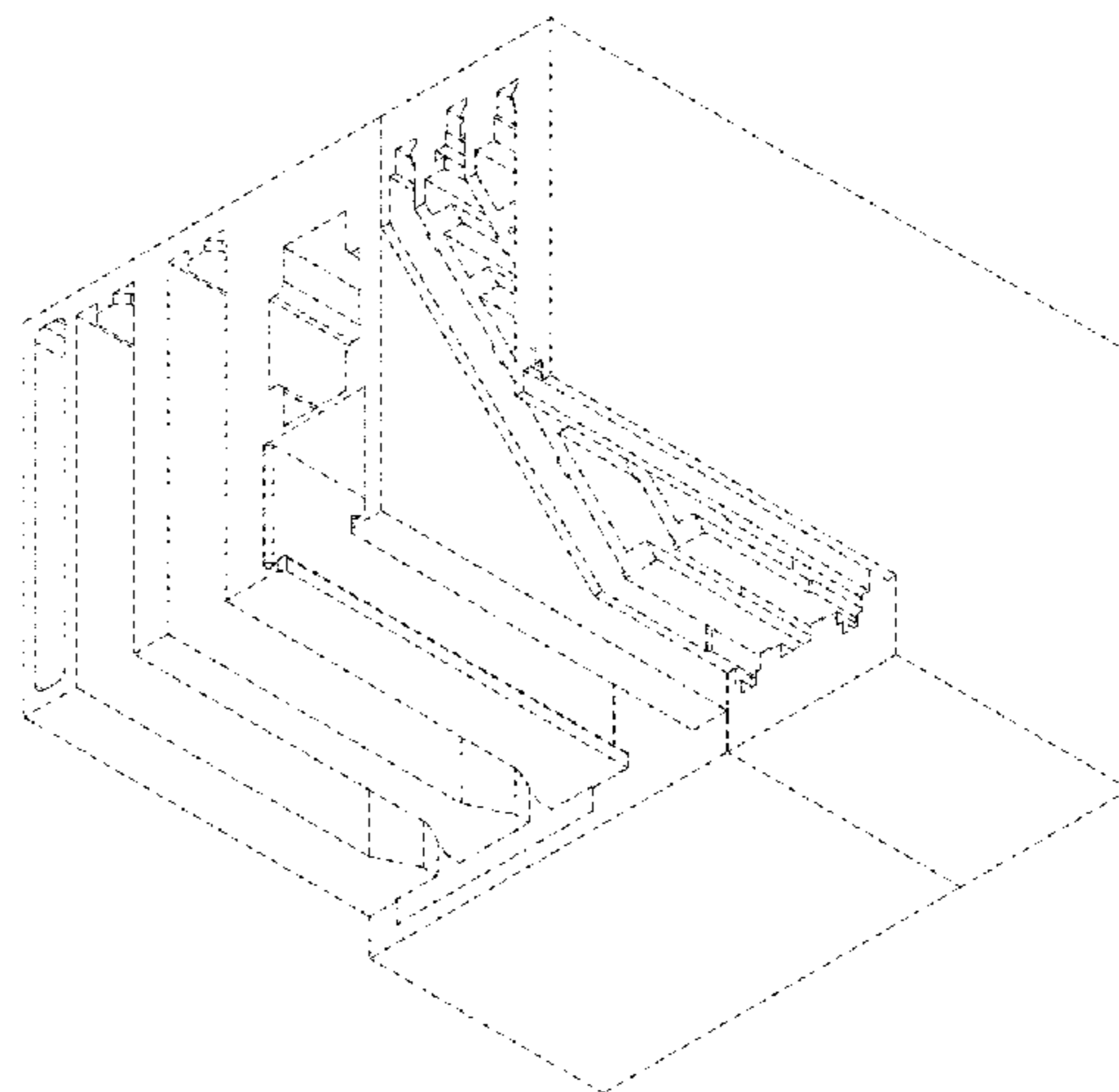
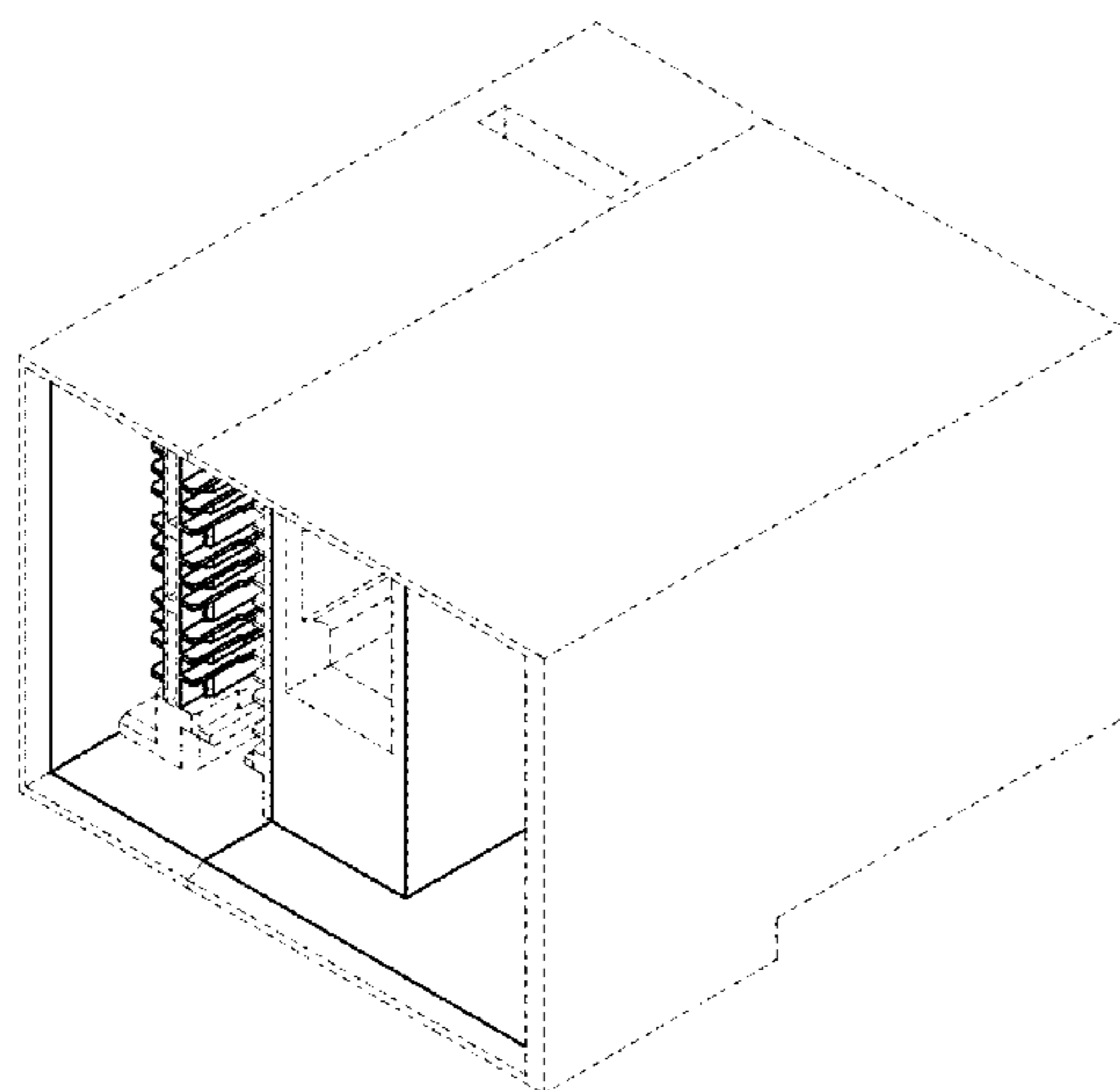
DESCRIPTION

FIG. 1 is a top, left, front perspective view of an electrical connector housing showing our new design; FIG. 2 is a bottom, right, rear perspective view thereof; FIG. 3 is a bottom, right, front perspective view thereof; FIG. 4 is an enlarge view of area 4 of FIG. 3; FIG. 5 is an enlarge view of area 5 of FIG. 3; FIG. 6 is another top, left, front perspective view thereof; FIG. 7 is an enlarge view of area 7 of FIG. 6; FIG. 8 is a top, left, rear perspective view thereof; FIG. 9 is an enlarge view of area 9 of FIG. 8; FIG. 10 is another bottom, right, rear perspective view thereof; FIG. 11 is an enlarge view of area 11 of FIG. 10; FIG. 12 is a front elevation view thereof; FIG. 13 is a rear elevation view thereof; FIG. 14 is a top plan view thereof; FIG. 15 is a bottom plan view thereof; FIG. 16 is a right side elevation view thereof; and, FIG. 17 is a left side elevation view thereof.

The broken line portion of the figure drawings is included to show unclaimed subject matter only for the purpose of illustrating environment and forms no part of the claimed design.

In a preferred embodiment, the nature of this product is an electrical connector housing for supporting electrical contacts.

1 Claim, 12 Drawing Sheets



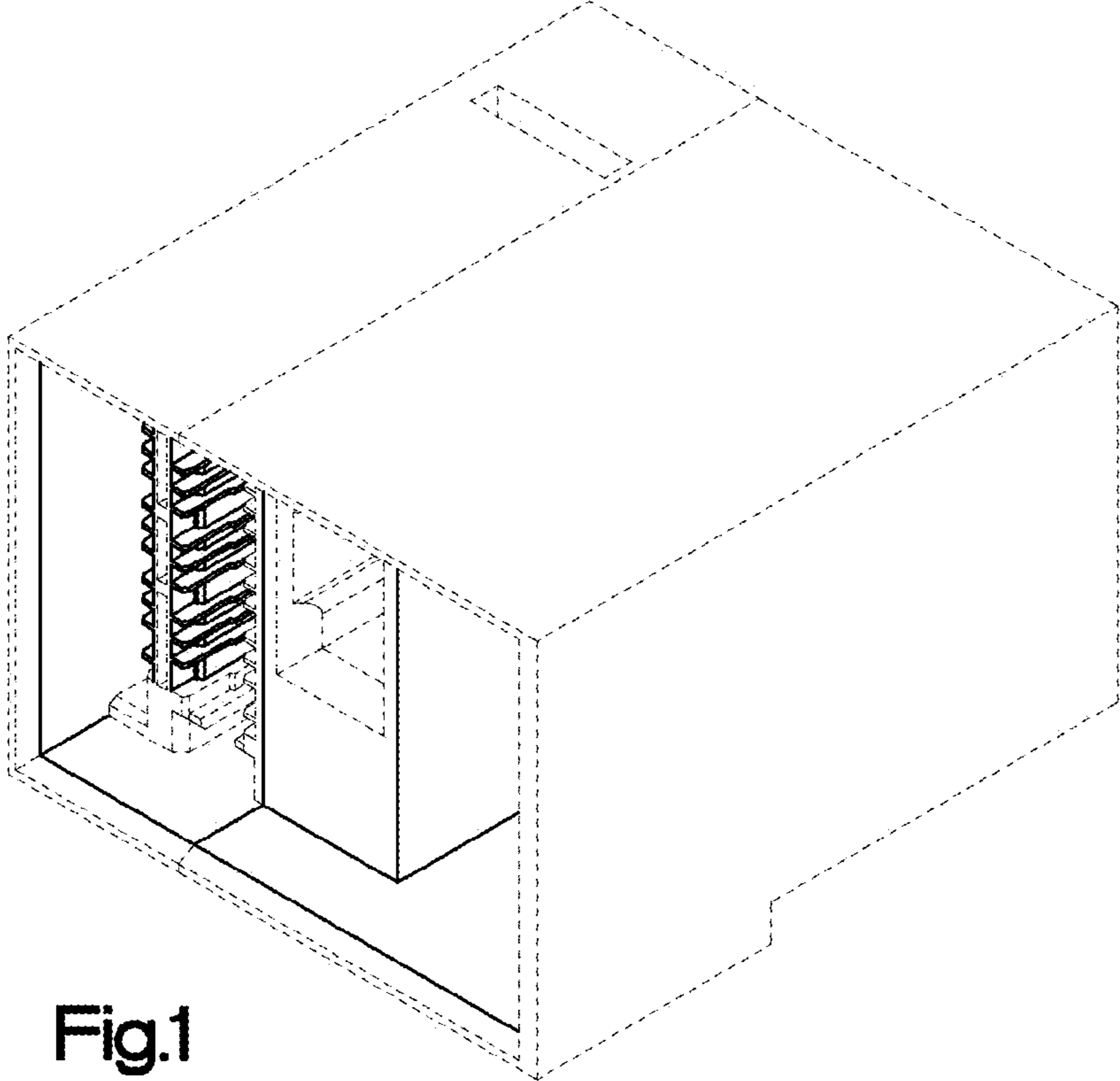


Fig.1

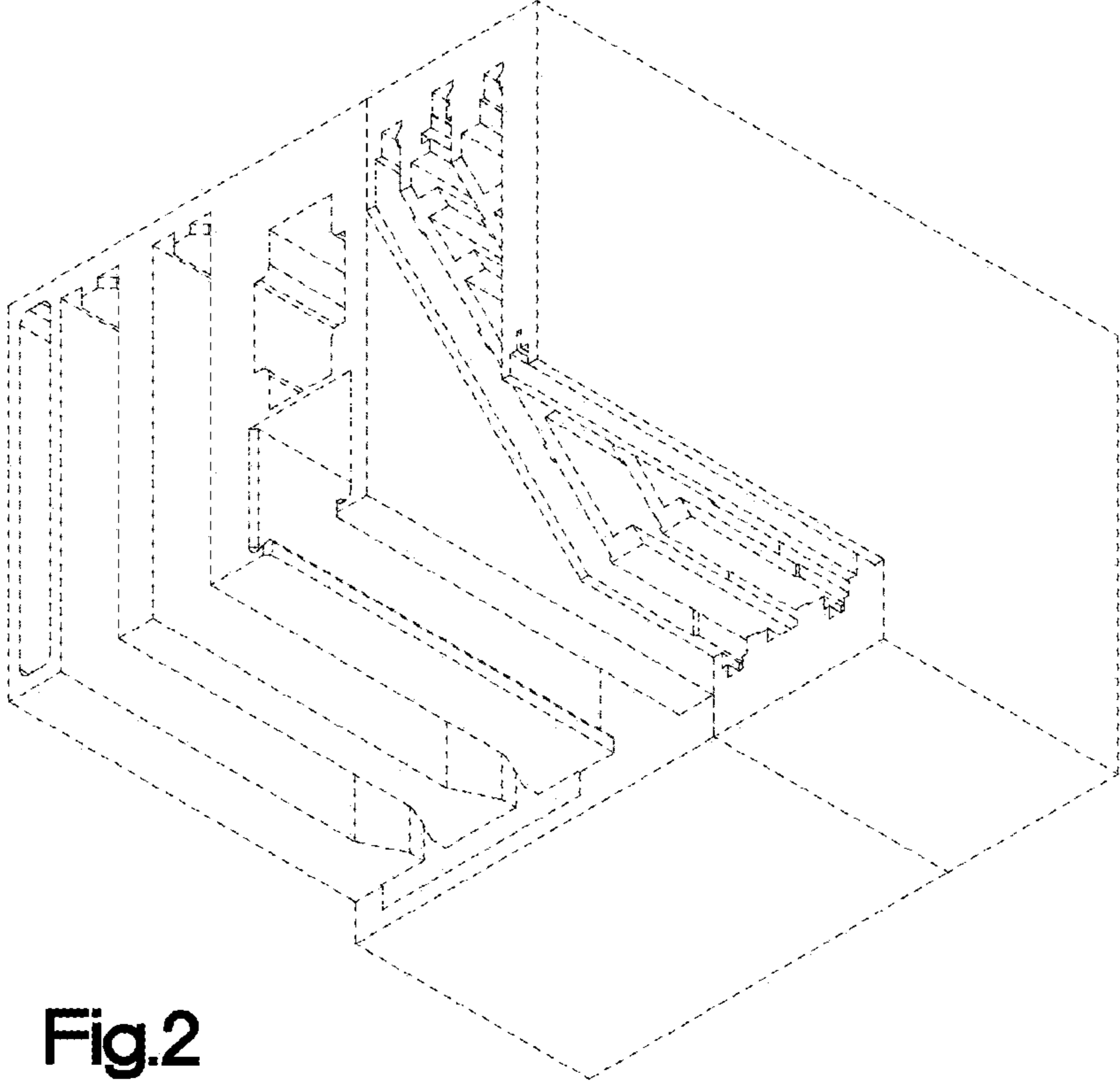


Fig.2

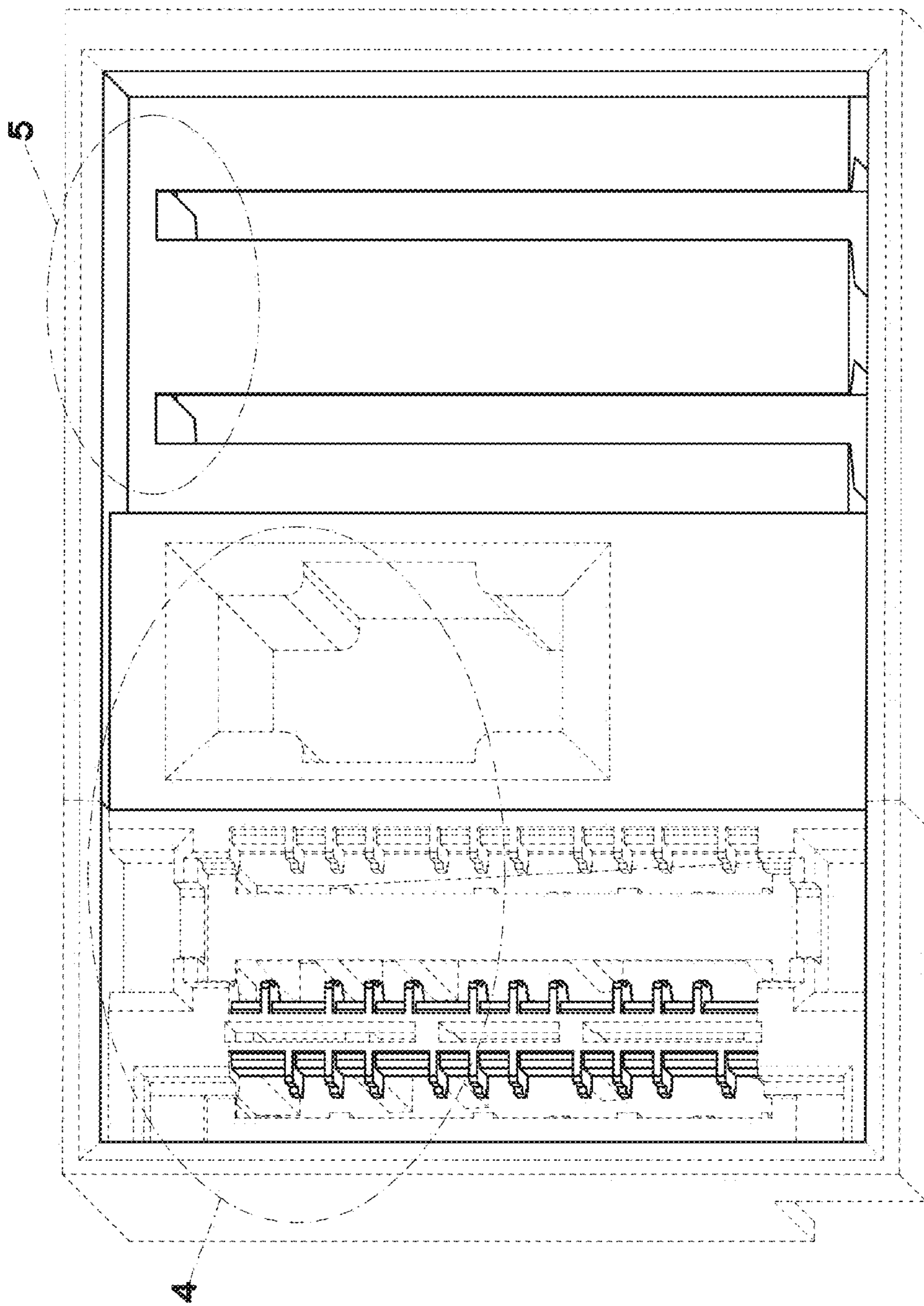


Fig.3

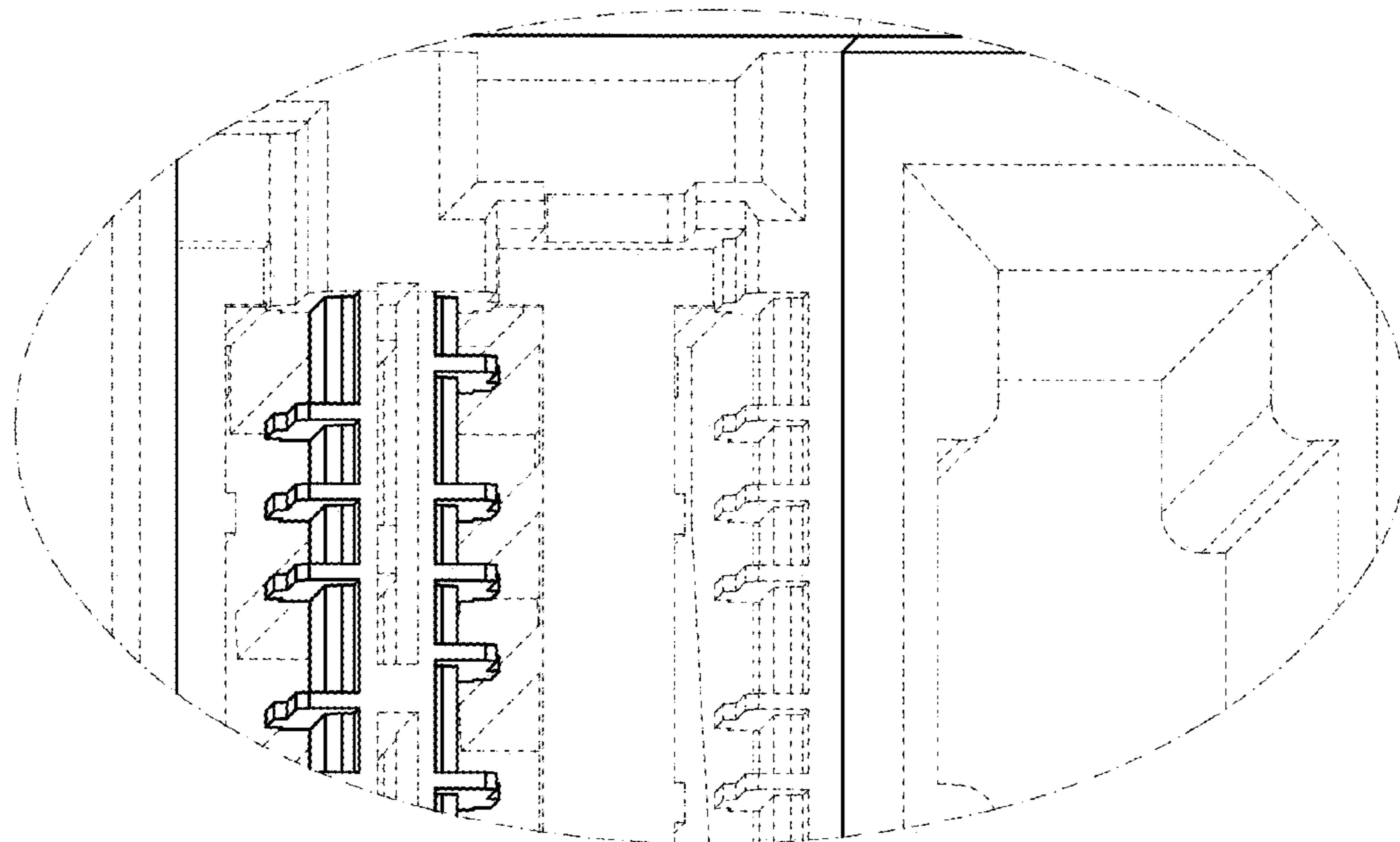


Fig.4

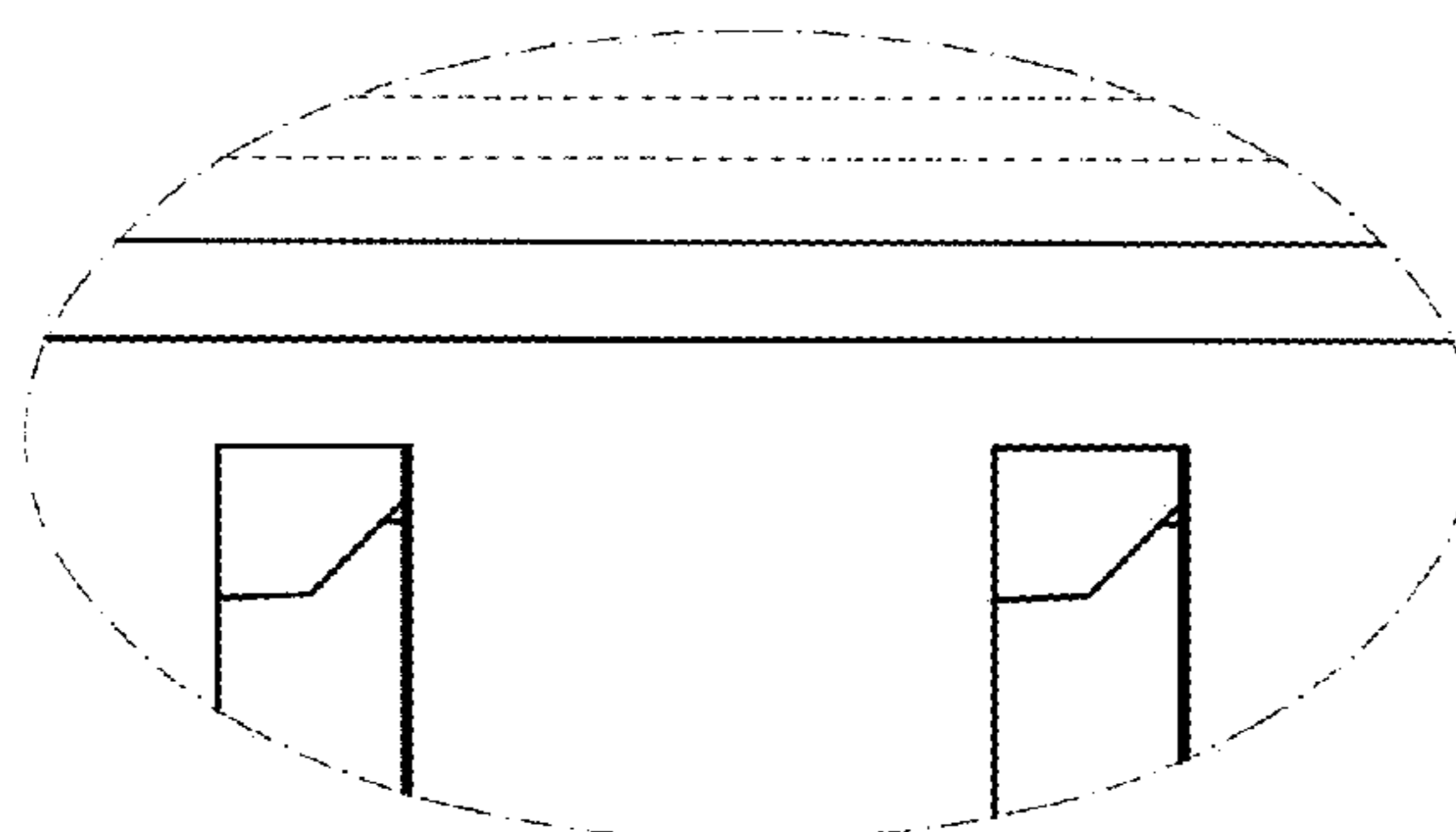


Fig.5

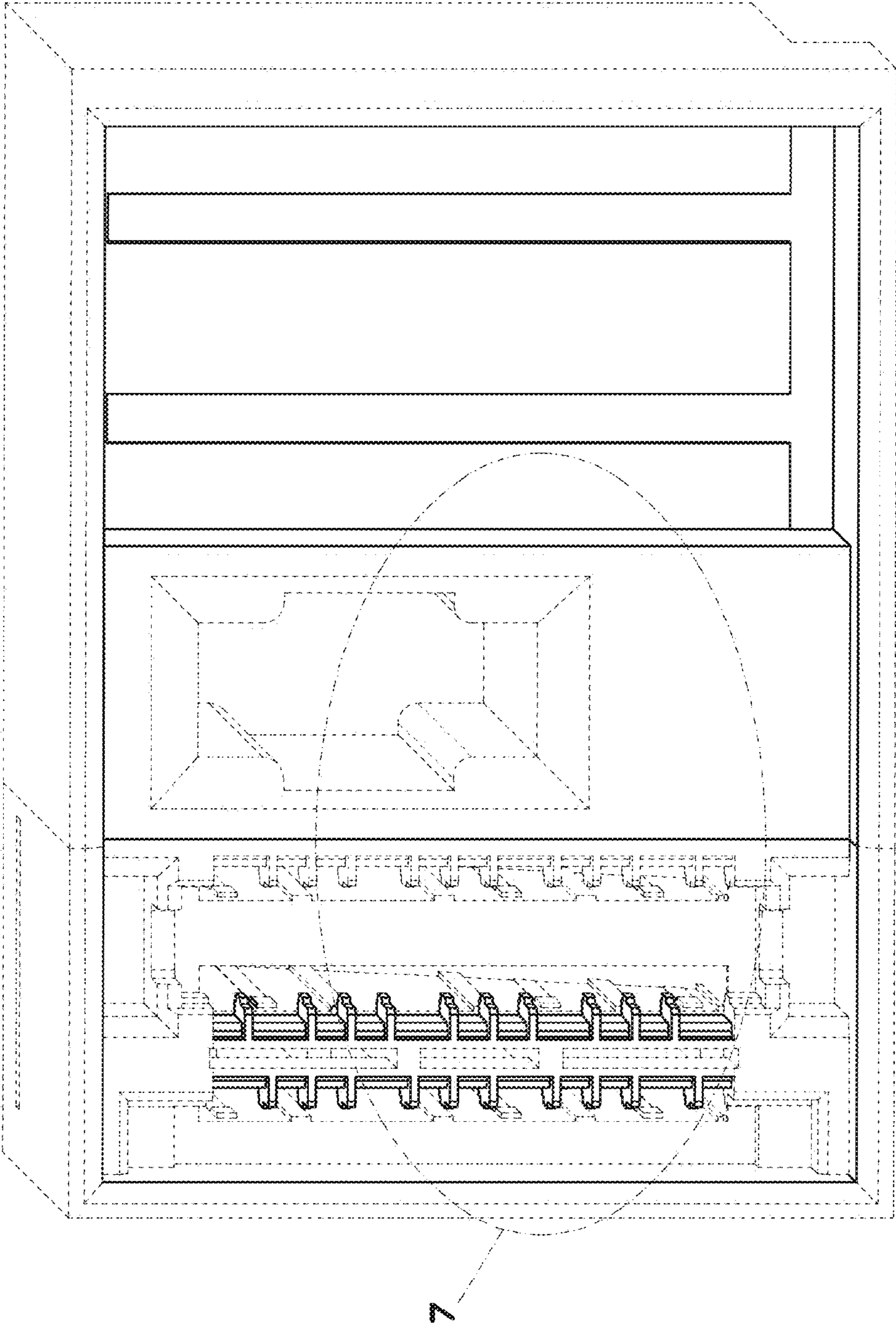


Fig.6

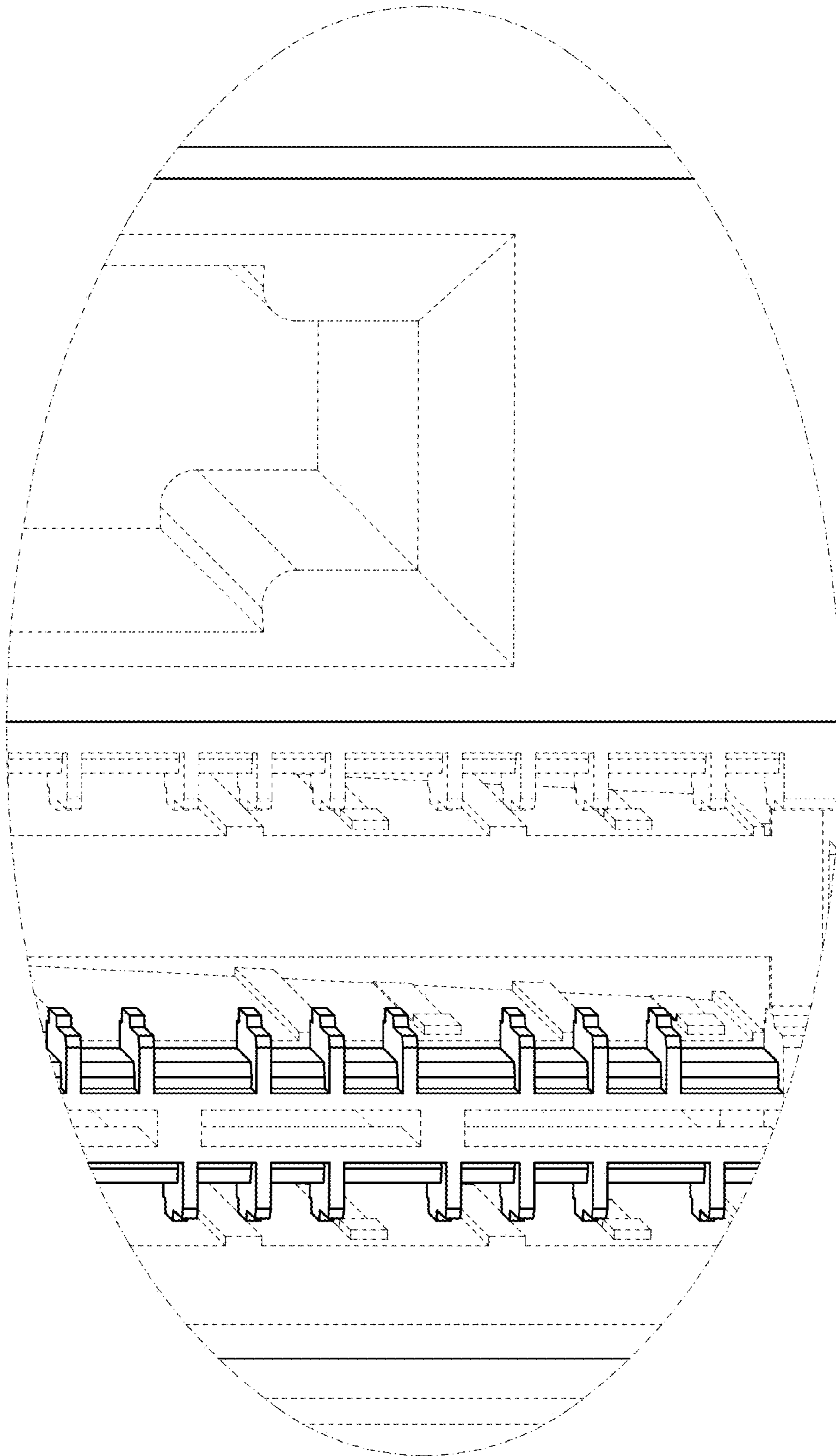


Fig.7

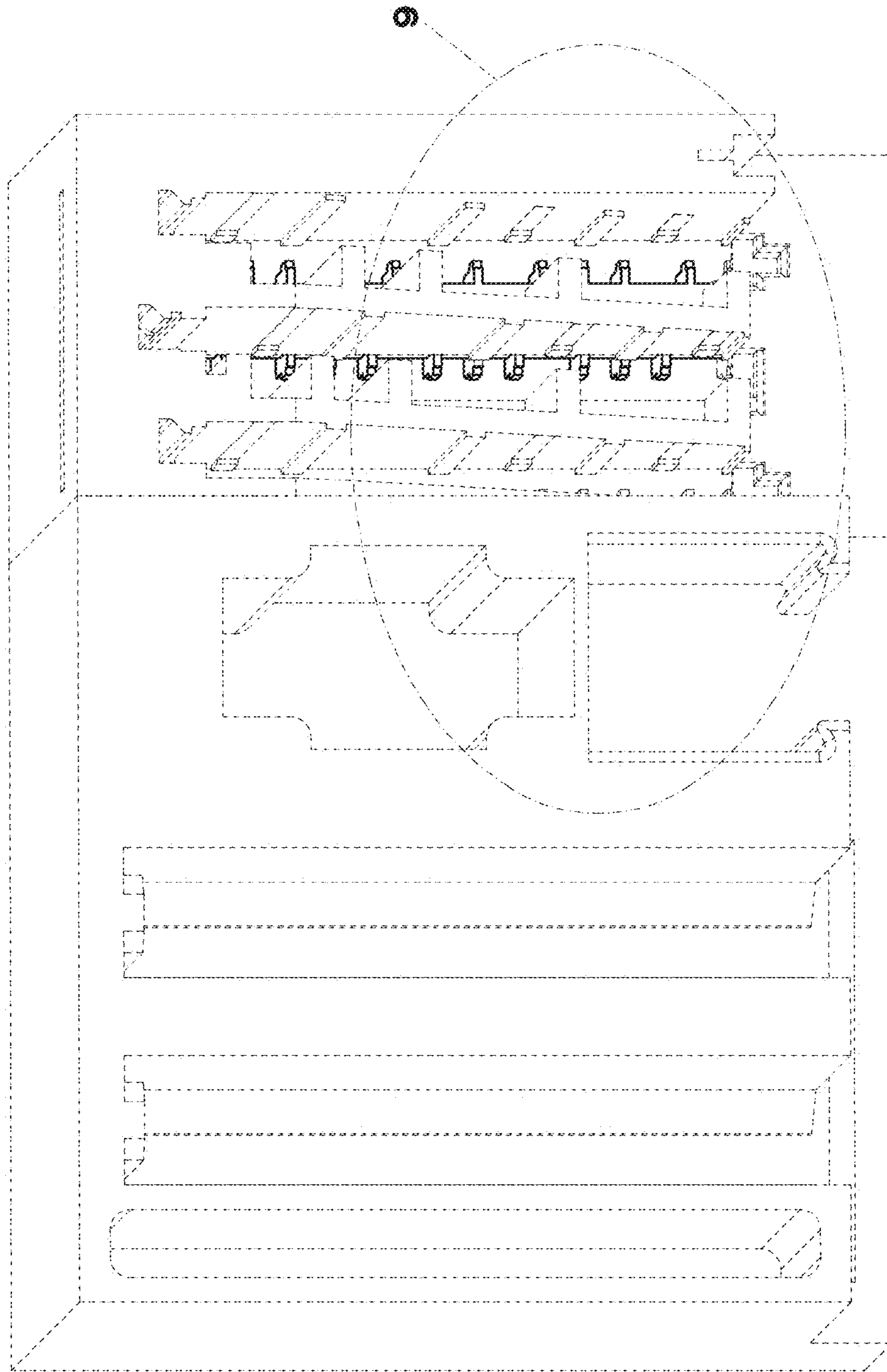


Fig. 8

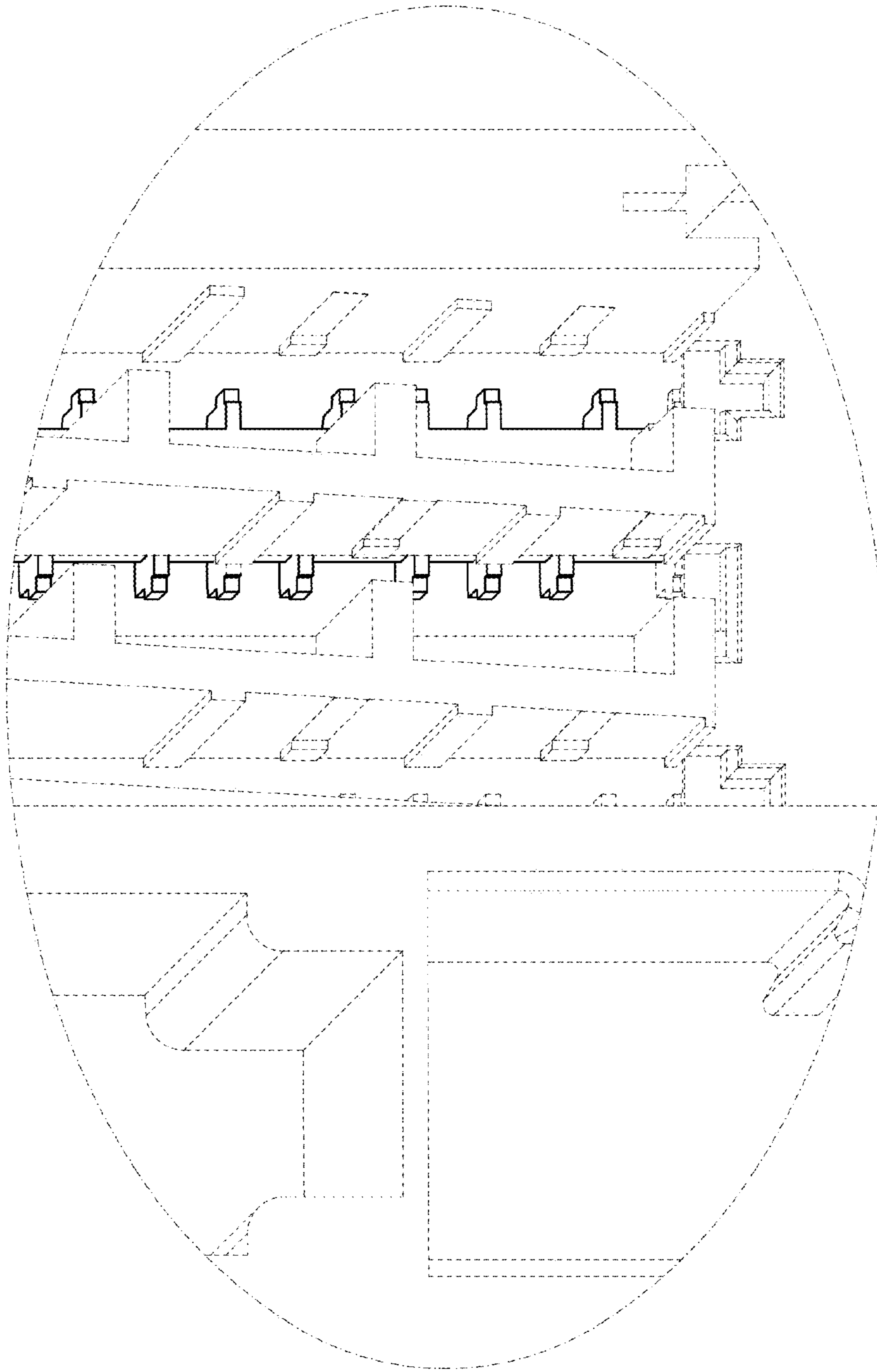


Fig.9

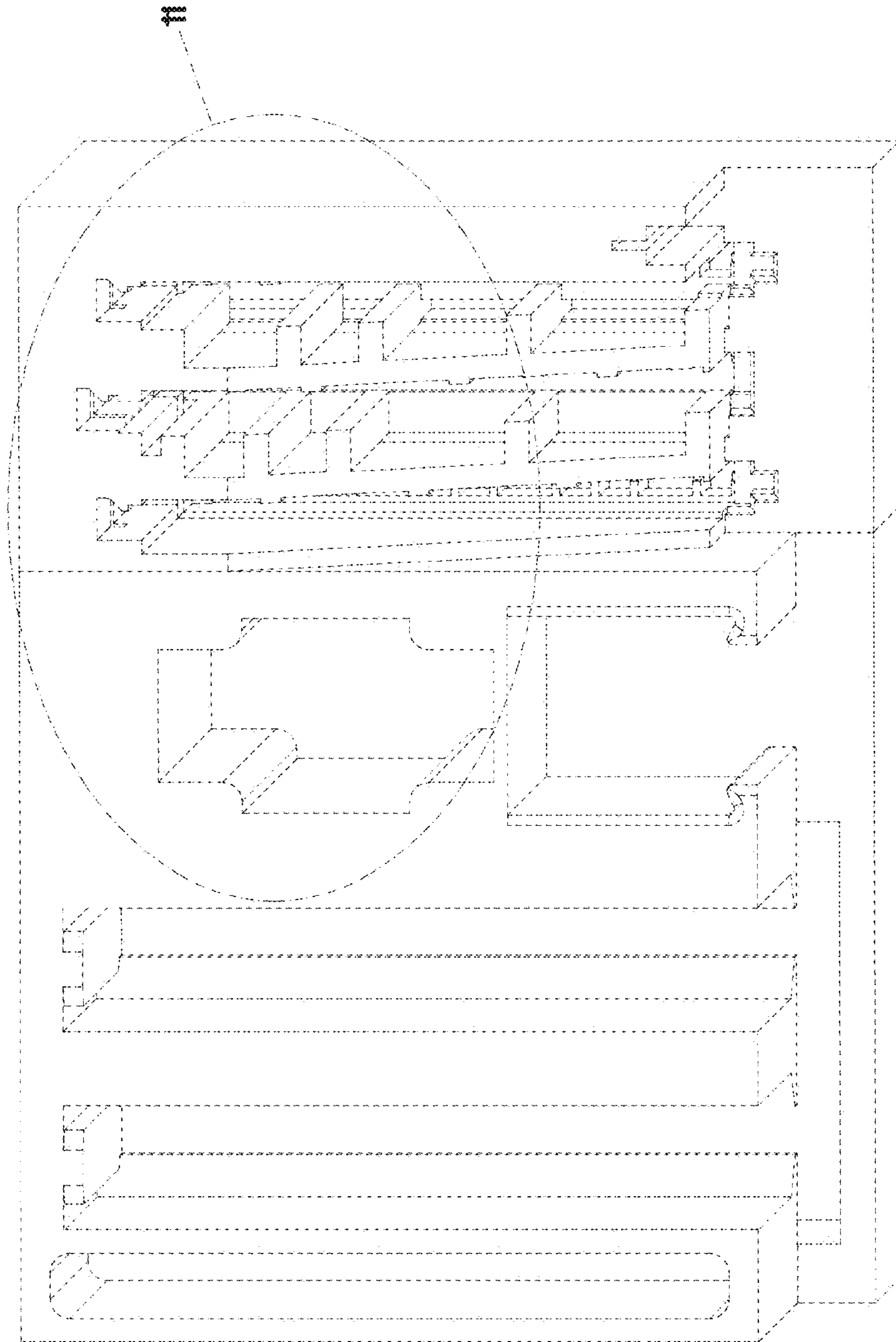


Fig.10

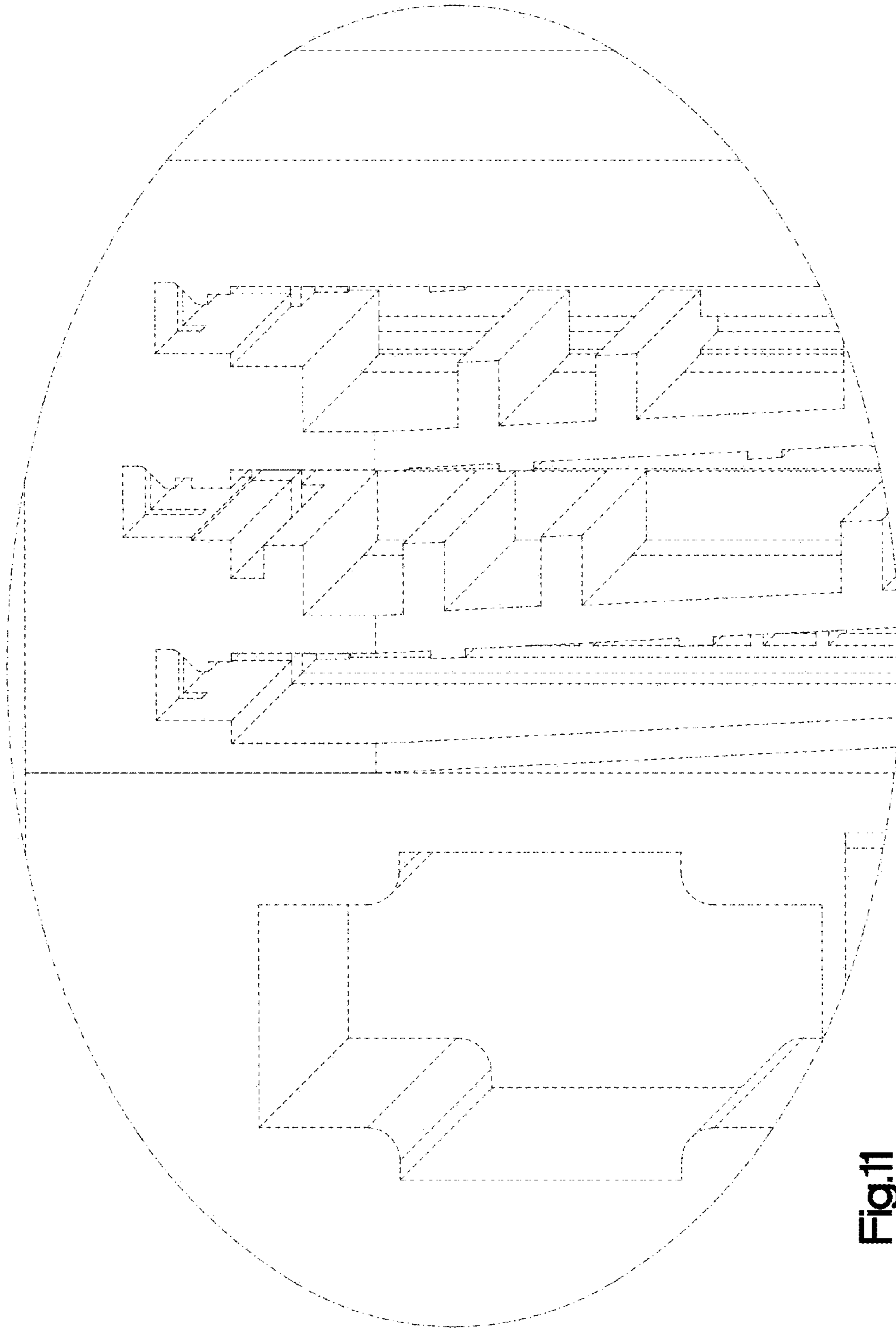


Fig.11

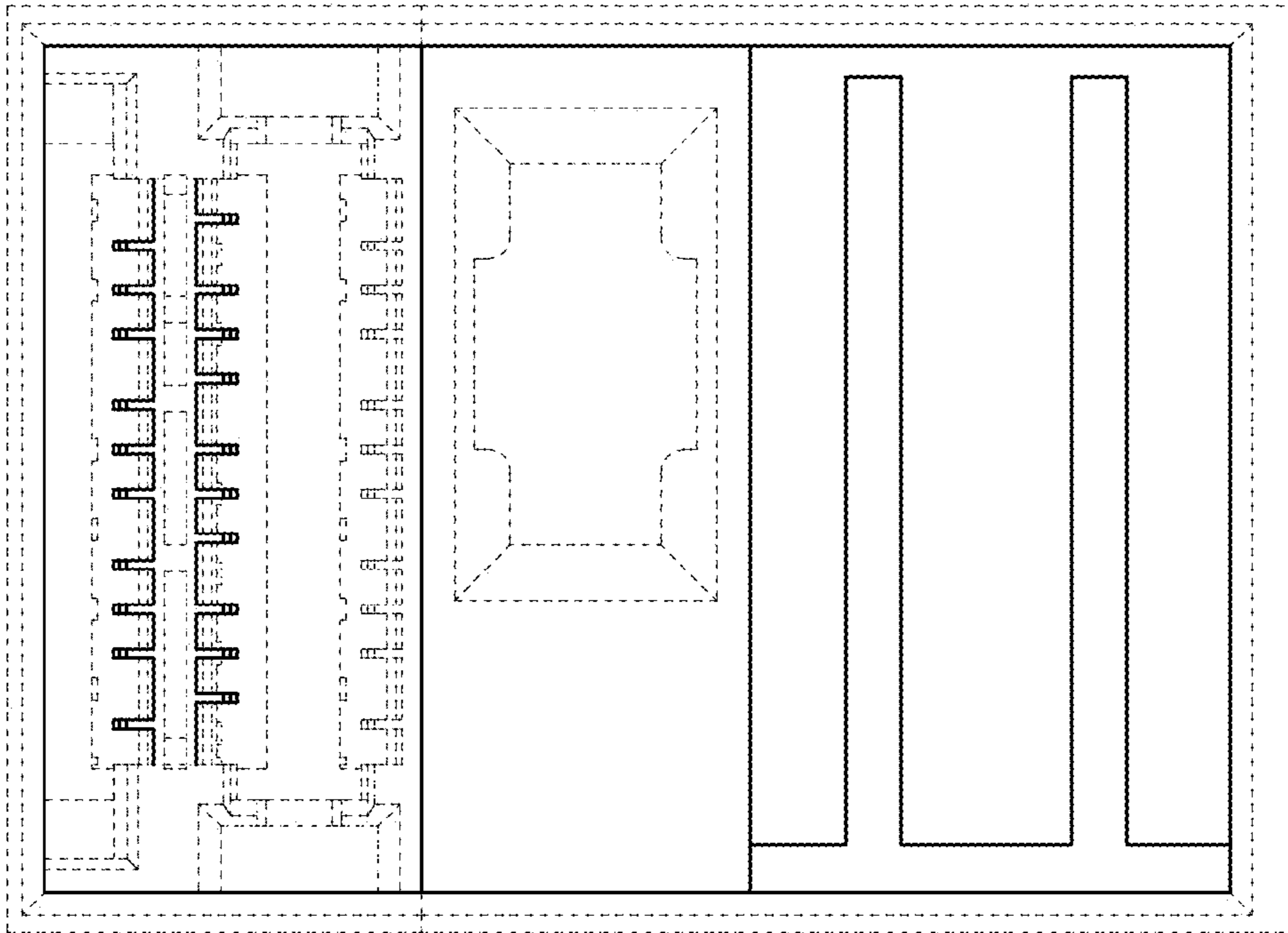


Fig.12

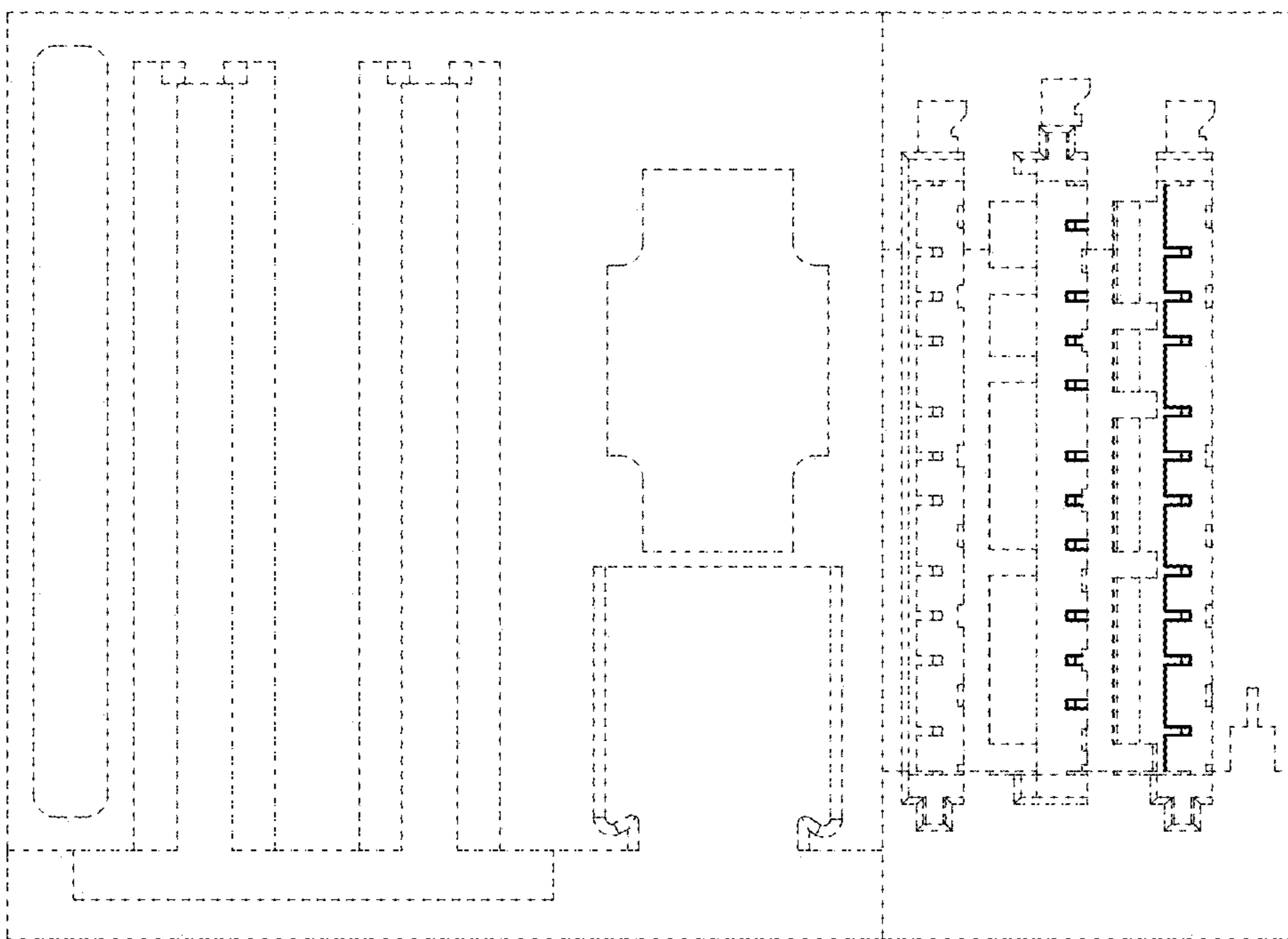


Fig.13

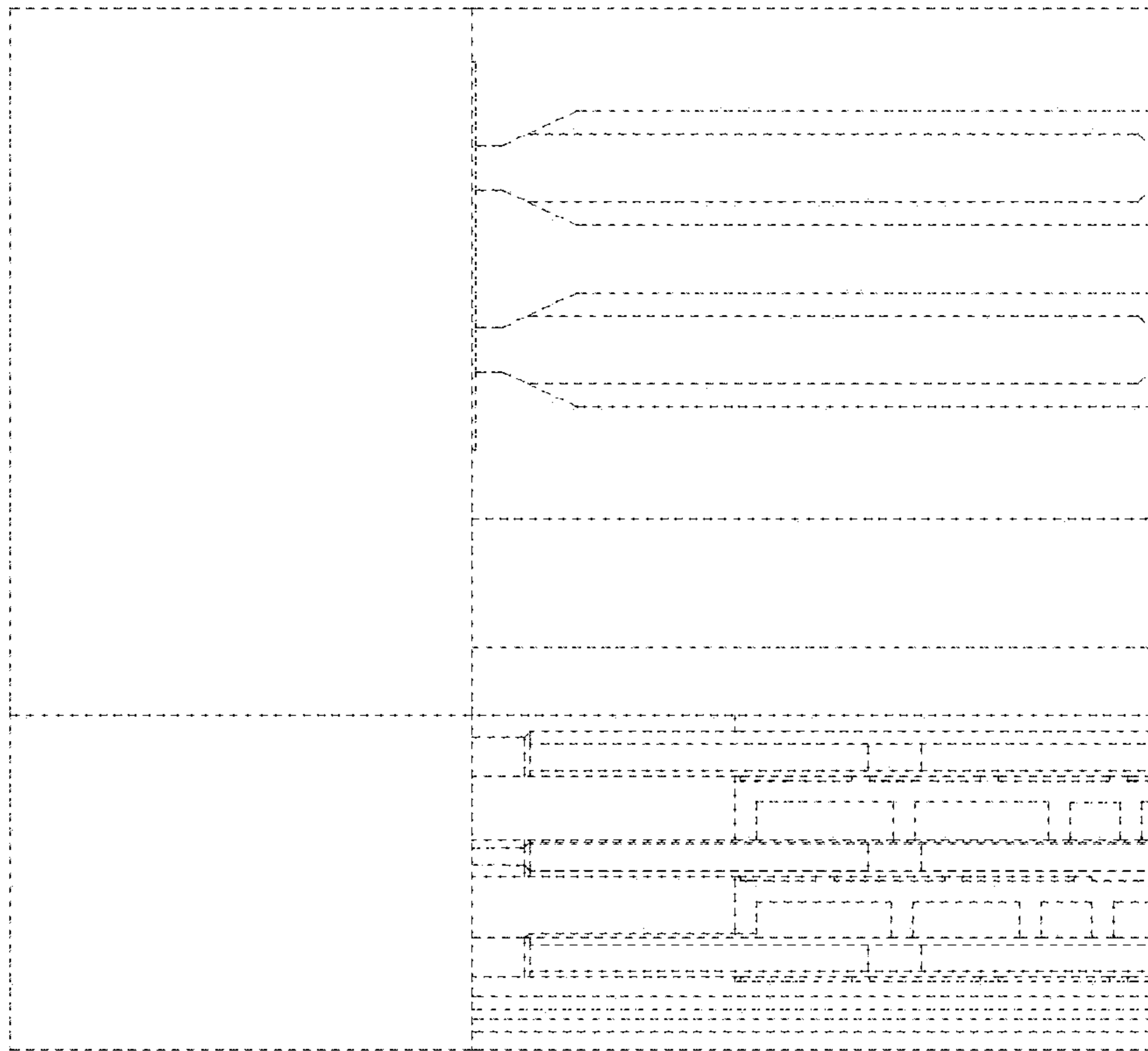


Fig.15

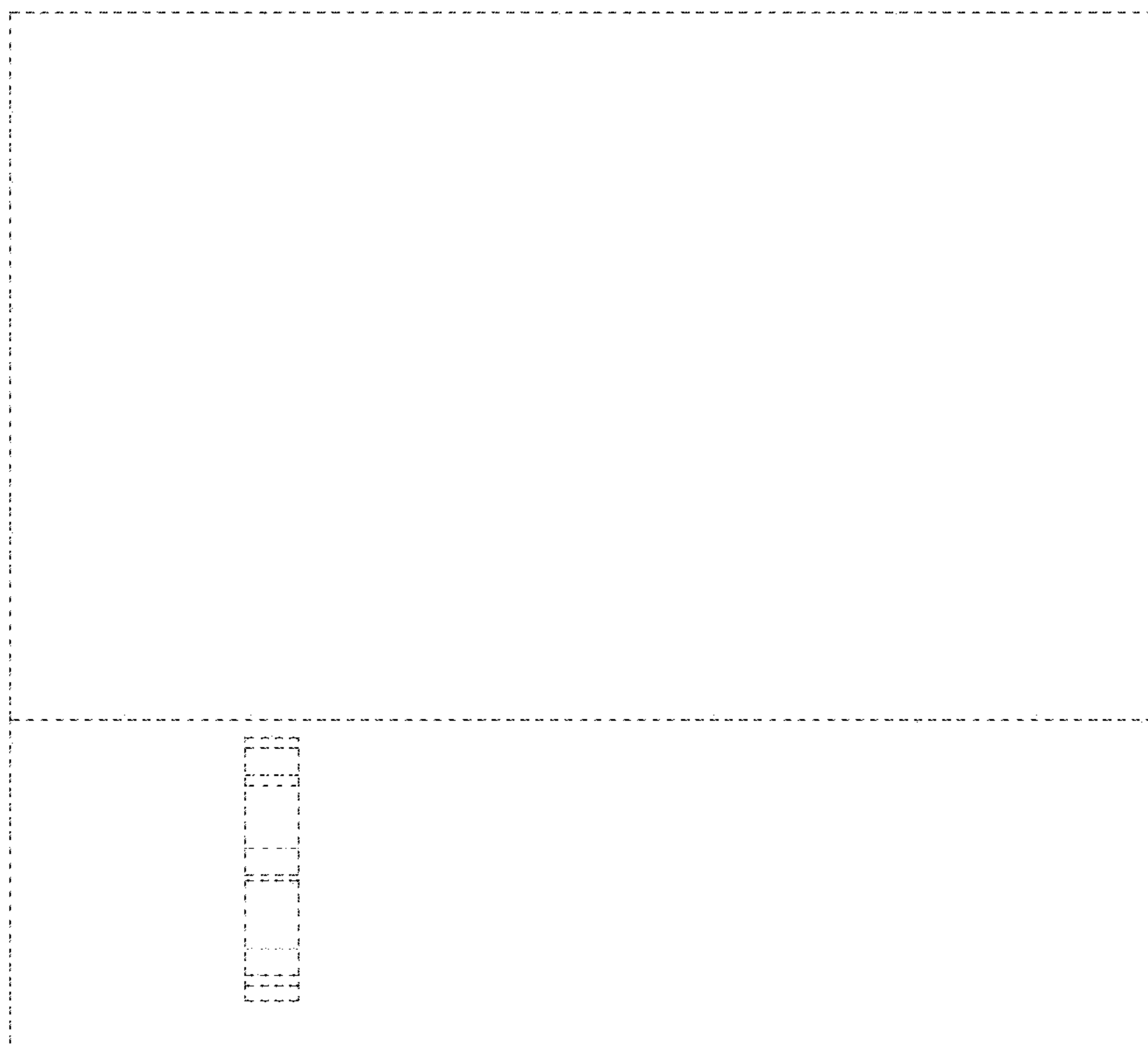


Fig.14



Fig.16



Fig.17