



US00D766186S

(12) **United States Design Patent**
Hagarty

(10) **Patent No.:** **US D766,186 S**
(45) **Date of Patent:** **** Sep. 13, 2016**

(54) **EXTENSION RING WITH CORNER ATTACHMENTS**

D379,622 S 6/1997 Lynn
5,663,525 A 9/1997 Newman
5,931,325 A 8/1999 Filipov
6,066,803 A * 5/2000 Hagarty H02G 3/086
174/50
6,103,972 A 8/2000 Hagarty

(71) Applicant: **RANDL Industries, Inc.**, Spokane Valley, WA (US)

(72) Inventor: **Robert J. Hagarty**, Spokane, WA (US)

(73) Assignee: **RANDL Industries, Inc.**, Spokane Valley, WA (US)

(**) Term: **15 Years**

(21) Appl. No.: **29/545,322**

(22) Filed: **Nov. 11, 2015**

(Continued)

OTHER PUBLICATIONS

Hagarty, R.J., "Single Gang Extension Ring," U.S. Appl. No. 29/507,982, filed Oct. 31, 2014.

(Continued)

Related U.S. Application Data

(62) Division of application No. 29/508,388, filed on Nov. 5, 2014, now Pat. No. Des. 745,466.

(51) **LOC (10) Cl.** **13-03**

(52) **U.S. Cl.**
USPC **D13/152**

(58) **Field of Classification Search**
USPC D13/152, 153, 155, 156, 137.1, 137.4,
D13/139.3, 139.2, 133, 184; 439/134;
340/693.9; 174/50
CPC G02B 6/4466
See application file for complete search history.

Primary Examiner — Holly Baynham

Assistant Examiner — Rhea Shields

(74) *Attorney, Agent, or Firm* — Christensen O'Connor Johnson Kindness PLLC

References Cited

U.S. PATENT DOCUMENTS

4,399,922 A 8/1983 Horsley
4,603,789 A 8/1986 Medlin, Sr.
4,613,728 A 9/1986 Lathrop
4,790,505 A 12/1988 Rose
5,098,046 A 3/1992 Webb
5,189,259 A 2/1993 Carson
5,263,676 A 11/1993 Medlin
D342,938 S 1/1994 Cheatham
5,423,499 A 6/1995 Webb
5,525,754 A 6/1996 Akins

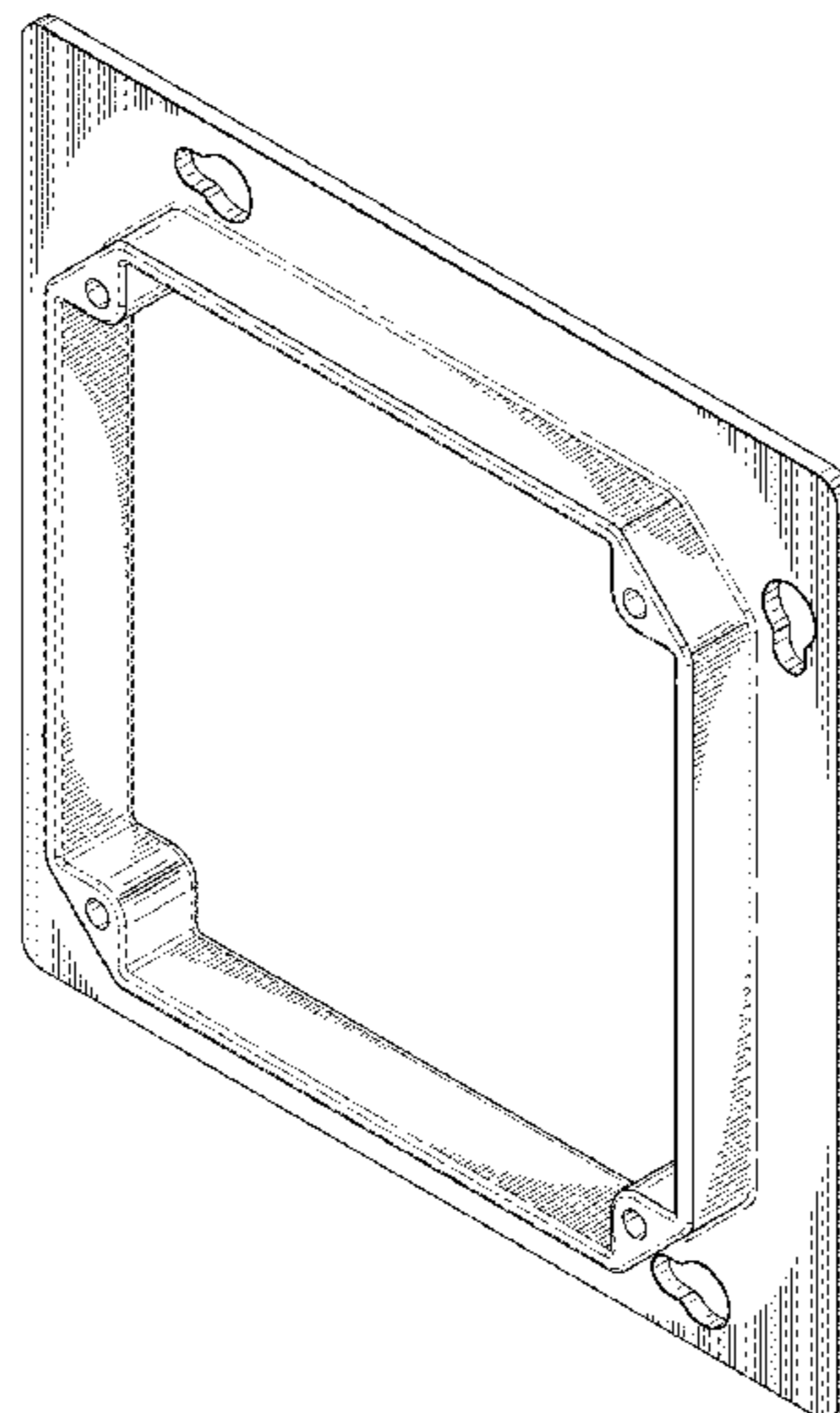
(57) **CLAIM**

The ornamental design for an extension ring with corner attachments, as shown and described.

DESCRIPTION

FIG. 1 is a front-right perspective view of an extension ring with corner attachments in accordance with the present design;
FIG. 2 is a rear-left perspective view of the extension ring with corner attachments shown in FIG. 1;
FIG. 3 is a front view of the extension ring with corner attachments shown in FIG. 1;
FIG. 4 is a rear view of the extension ring with corner attachments shown in FIG. 1;
FIG. 5 is a plan view of the extension ring with corner attachments shown in FIG. 1;
FIG. 6 is a bottom view of the extension ring with corner attachments shown in FIG. 1;
FIG. 7 is a left side view of the extension ring with corner attachments shown in FIG. 1; and,
FIG. 8 is a right side view of the extension ring with corner attachments shown in FIG. 1.

1 Claim, 5 Drawing Sheets



US D766,186 S

Page 2

(56)

References Cited

U.S. PATENT DOCUMENTS

6,164,475 A 12/2000 Jorgensen
6,379,166 B1 * 4/2002 Hagarty G02B 6/4466
439/134
6,384,334 B1 5/2002 Webb
D462,939 S 9/2002 Dinh
6,573,449 B2 6/2003 Vrame
6,590,155 B2 7/2003 Vrame
6,608,252 B2 8/2003 Hurley
D493,695 S 8/2004 Wengrower
6,858,802 B2 2/2005 Hagarty
D540,654 S 4/2007 Aubert Capella
D545,276 S 6/2007 Dinh
7,271,336 B2 9/2007 Dinh
D555,108 S 11/2007 Strong
7,301,099 B1 11/2007 Korcz
7,495,170 B2 2/2009 Dinh
D588,067 S 3/2009 Seropian
D597,960 S 8/2009 Dinh
7,645,936 B2 1/2010 Magno, Jr.
D634,739 S 3/2011 Molter
8,076,577 B2 12/2011 Mango
8,253,040 B2 8/2012 Hopkins
D698,737 S * 2/2014 Hagarty D13/156

D707,635 S * 6/2014 Hagarty D13/156
D719,528 S * 12/2014 Hagarty D13/156
D719,529 S * 12/2014 Hagarty D13/156
D722,029 S * 2/2015 Hagarty D13/152
D722,569 S 2/2015 Osborne
D722,977 S * 2/2015 Hagarty D13/152
D722,978 S * 2/2015 Hagarty D13/152
D723,473 S * 3/2015 Hagarty D13/152
D730,158 S 5/2015 Miller
D732,482 S * 6/2015 Hagarty D13/156
D735,142 S * 7/2015 Hagarty D13/152
D738,317 S * 9/2015 Hagarty D13/156
D744,431 S * 12/2015 Hagarty D13/152
D745,466 S * 12/2015 Hagarty D13/153
2004/0051648 A1 * 3/2004 Hagarty H02G 15/10
340/693.9
2008/0236859 A1 10/2008 de la Borbolla

OTHER PUBLICATIONS

Hagarty, R.J., "Double Gang Extension Ring," U.S. Appl. No. 29/507,986, filed Oct. 31, 2014.
Hagarty, R.J., "Extension Ring With Narrow Flange," U.S. Appl. No. 29/508,386, filed Nov. 5, 2014.

* cited by examiner

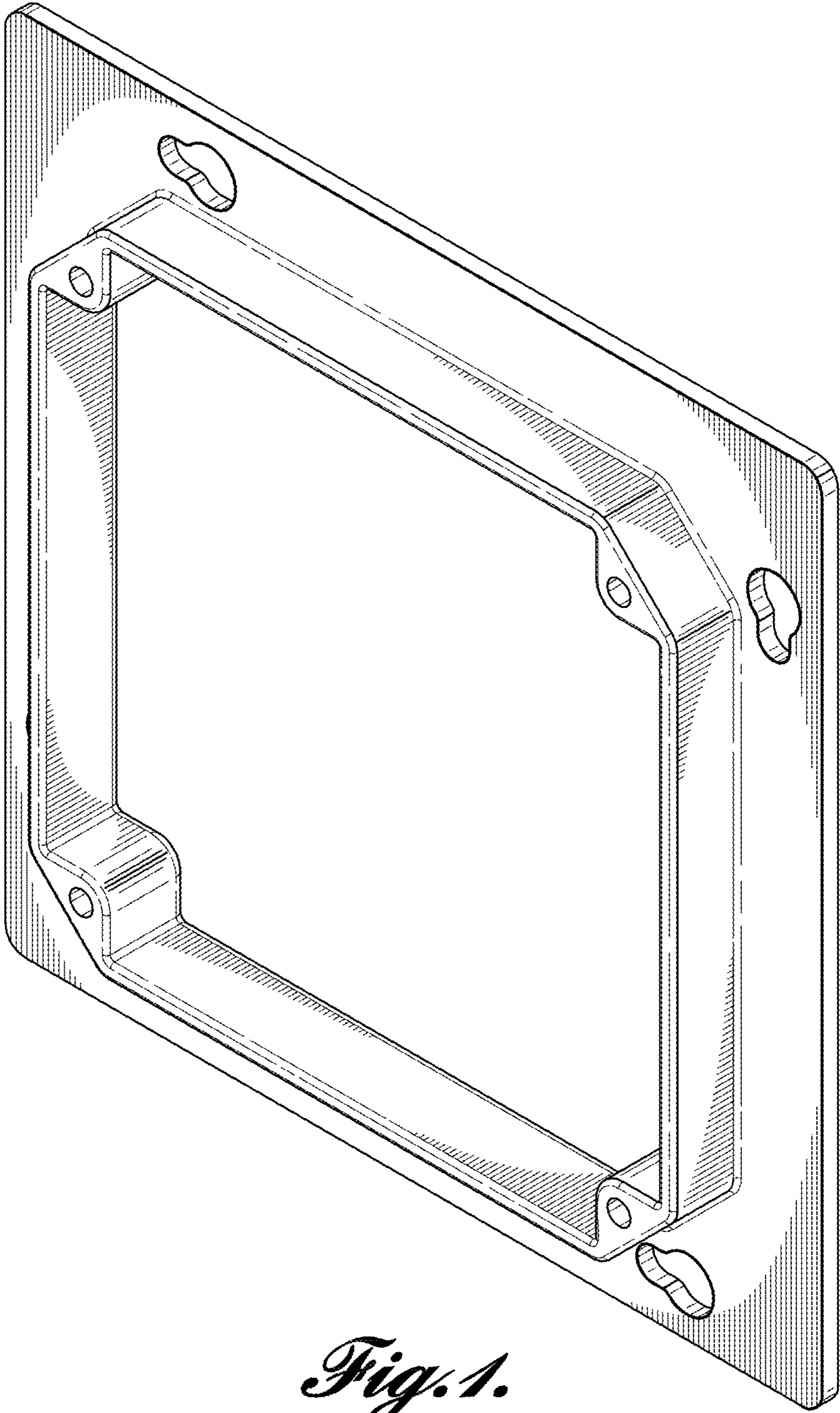


Fig. 1.

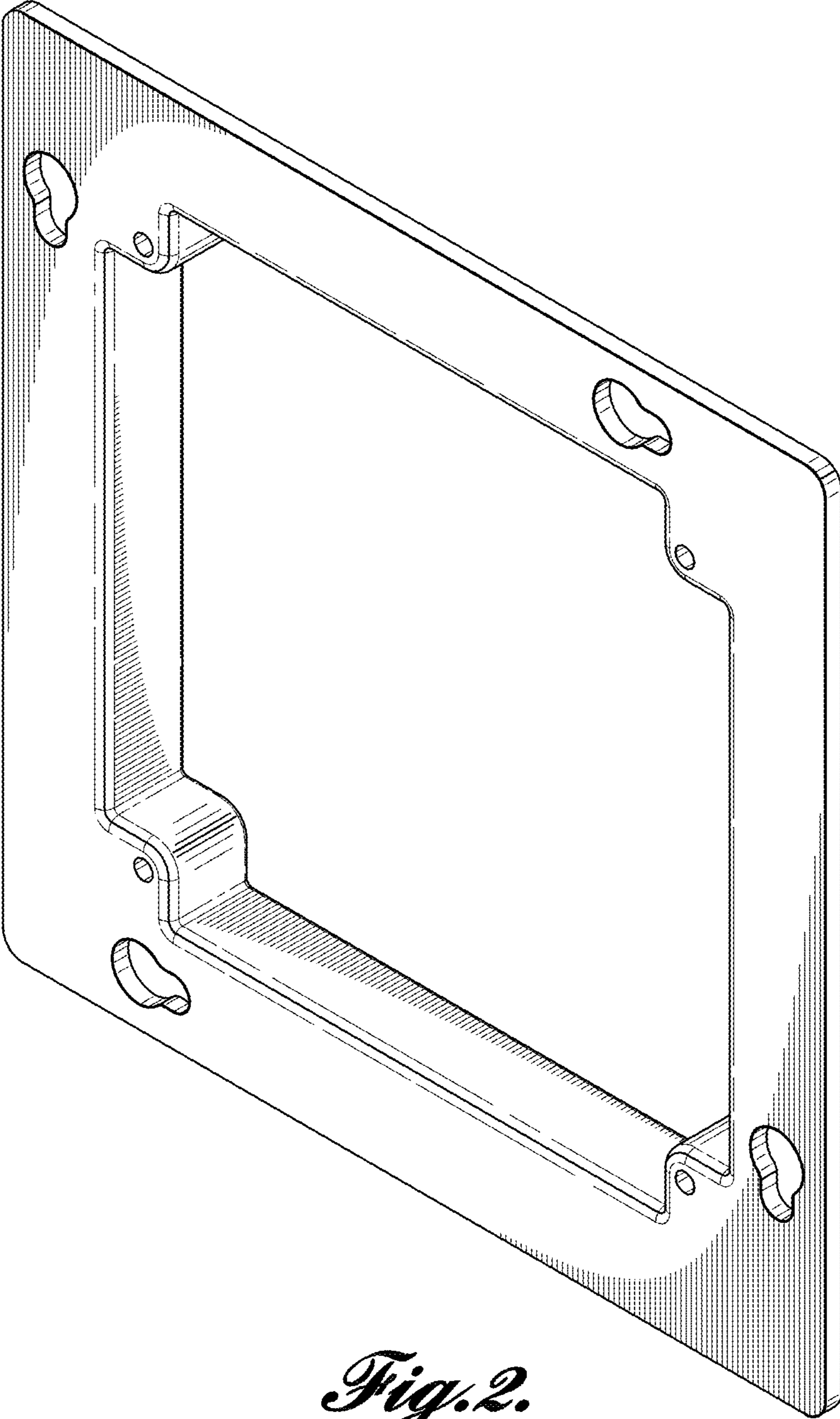


Fig. 2.

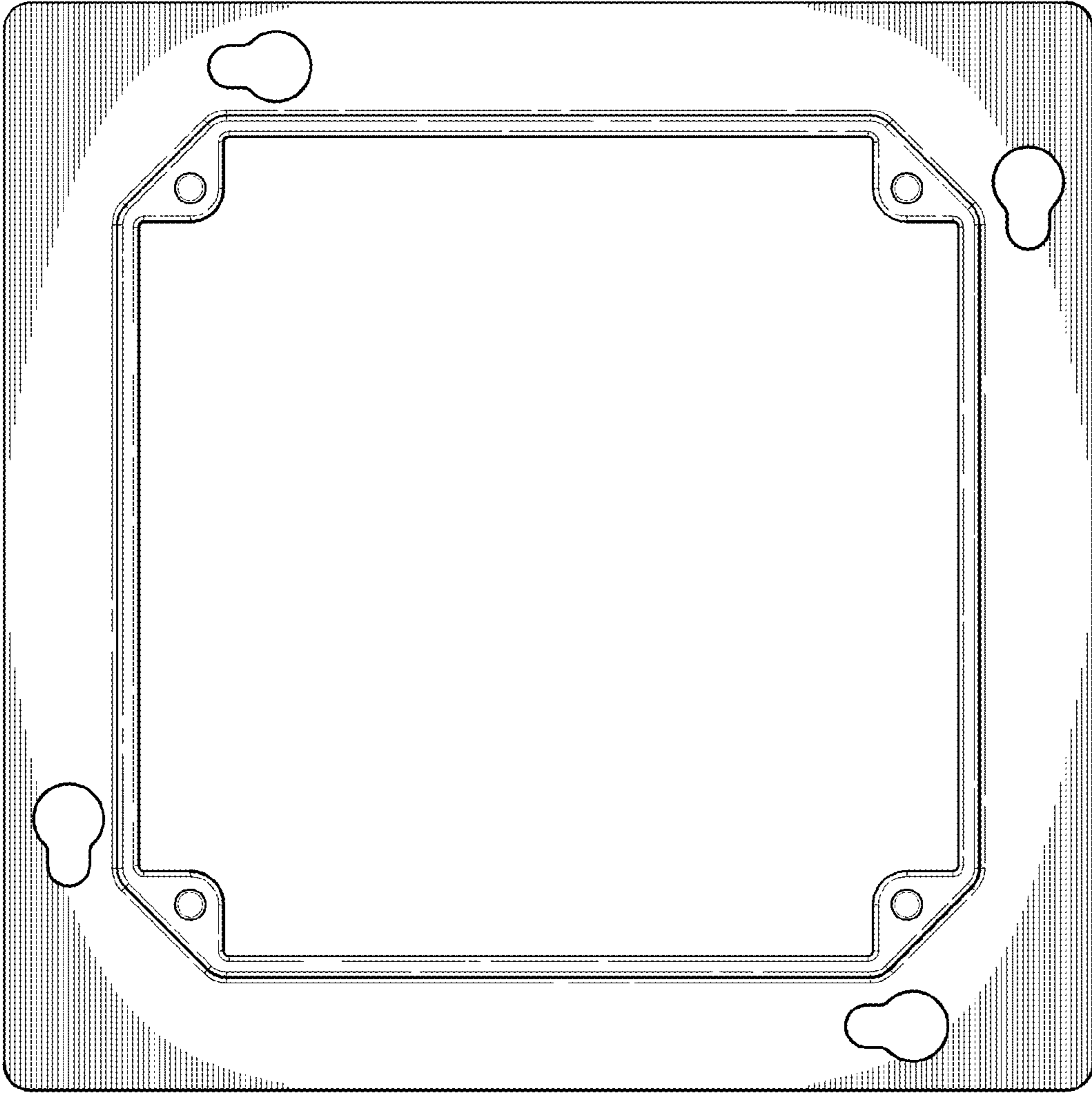


Fig. 3.

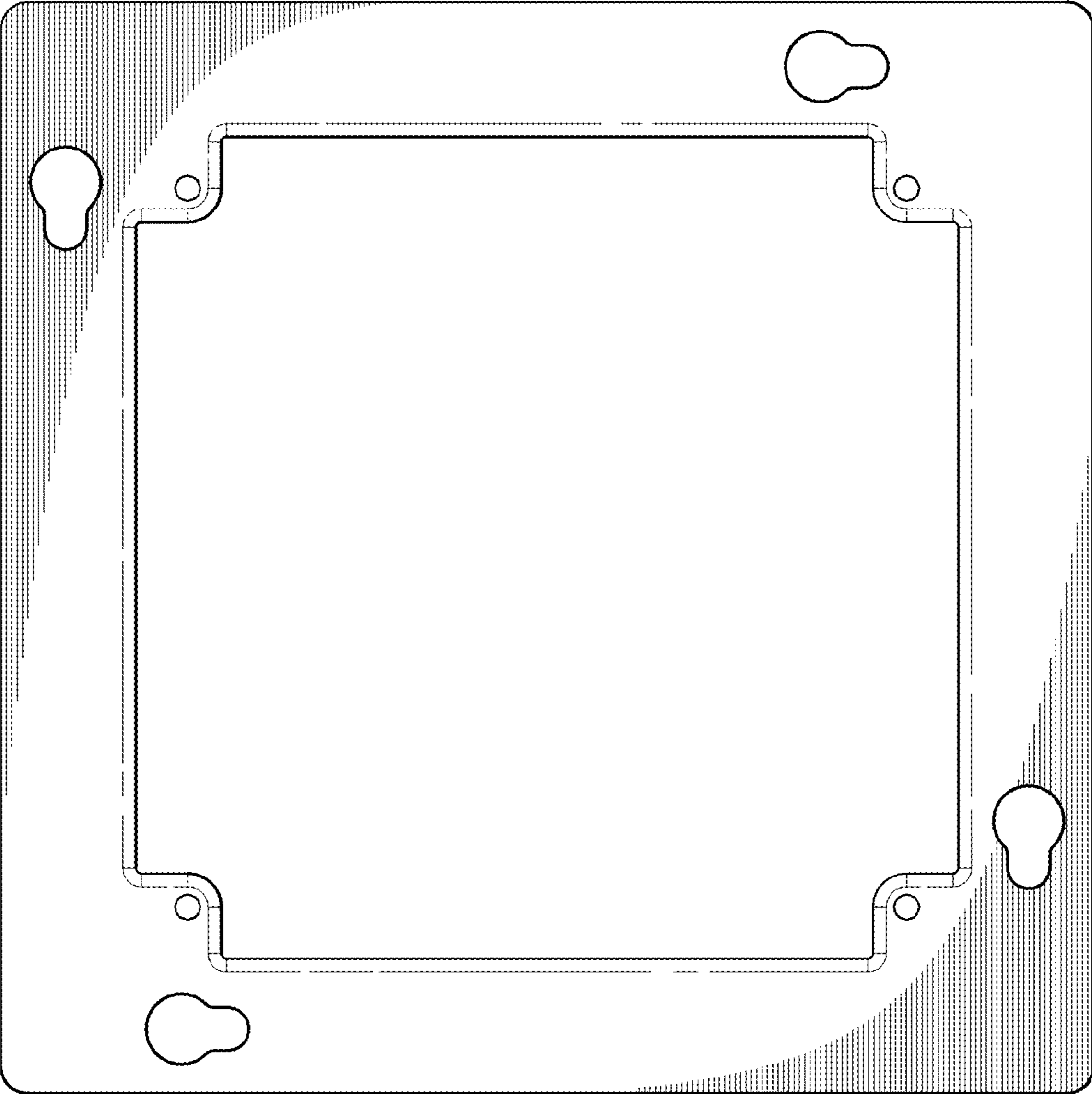


Fig. 4.

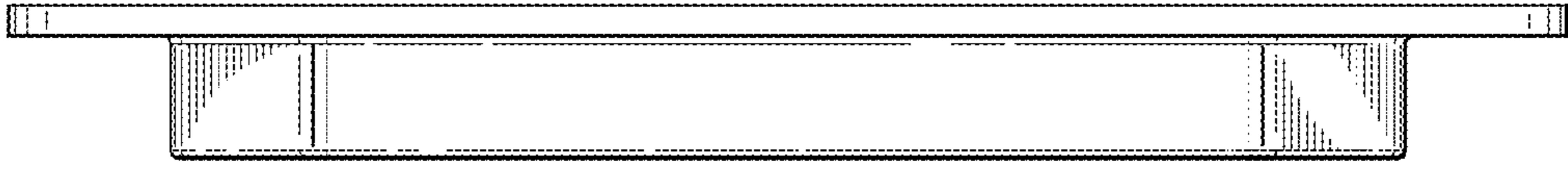


Fig. 5.

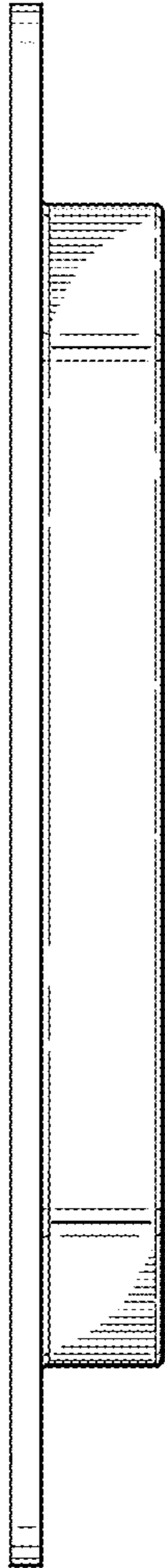


Fig. 7.

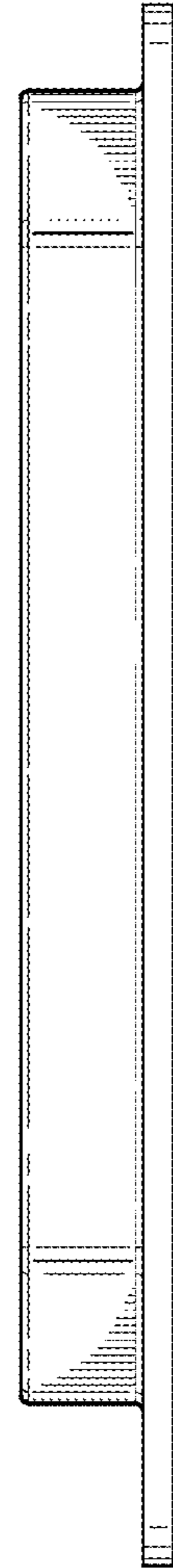


Fig. 8.

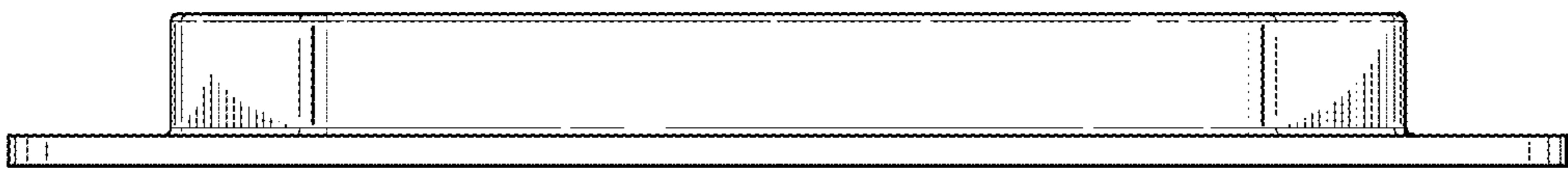


Fig. 6.