



US00D766185S

(12) **United States Design Patent**
Hagarty

(10) **Patent No.:** **US D766,185 S**

(45) **Date of Patent:** **** Sep. 13, 2016**

(54) **POLYMERIC JUNCTION BOX**

(71) Applicant: **RANDL Industries, Inc.**, Spokane Valley, WA (US)

(72) Inventor: **Robert J. Hagarty**, Spokane, WA (US)

(73) Assignee: **RANDL Industries, Inc.**, Spokane Valley, WA (US)

(**) Term: **15 Years**

(21) Appl. No.: **29/544,915**

(22) Filed: **Nov. 6, 2015**

Related U.S. Application Data

(62) Division of application No. 29/512,092, filed on Dec. 16, 2014, now Pat. No. Des. 744,431.

(51) **LOC (10) Cl.** **13-03**

(52) **U.S. Cl.**
USPC **D13/152**

(58) **Field of Classification Search**
USPC D13/152, 153, 155, 156, 137.1, 137.4,
D13/139.3, 139.2, 133, 184; D8/354;
D26/138; 220/3.2, 3.3, 3.4-3.9, 3.92,
220/3.94, 3.6; 439/134; 340/693.9; 174/57
CPC H02G 3/123; H02G 15/10; G02B 6/4466
See application file for complete search history.

(56) **References Cited**

U.S. PATENT DOCUMENTS

3,023,920 A * 3/1962 Cook H02G 3/123
220/3.6
6,379,166 B1 * 4/2002 Hagarty G02B 6/4466
439/134

(Continued)

OTHER PUBLICATIONS

Hagarty, R.J., "Junction Box With Cable Management", U.S. Appl. No. 29/514,292, filed Jan. 9, 2015.

Primary Examiner — Holly Baynham

Assistant Examiner — Rhea Shields

(74) *Attorney, Agent, or Firm* — Christensen O'Connor Johnson Kindness PLLC

(57) **CLAIM**

The ornamental design for a polymeric junction box, as shown and described.

DESCRIPTION

FIG. 1 is a perspective view of a first embodiment of a polymeric junction box in accordance with the present design;

FIG. 2 is a front view of the polymeric junction box shown in FIG. 1;

FIG. 3 is a rear view of the polymeric junction box shown in FIG. 1;

FIG. 4 is a plan view of the polymeric junction box shown in FIG. 1;

FIG. 5 is a bottom view of the polymeric junction box shown in FIG. 1;

FIG. 6 is a left side view of the polymeric junction box shown in FIG. 1;

FIG. 7 is a right side view of the polymeric junction box shown in FIG. 1;

FIG. 8 is a perspective view of a second embodiment of a polymeric junction box in accordance with the present design;

FIG. 9 is a front view of the polymeric junction box shown in FIG. 8;

FIG. 10 is a rear view of the polymeric junction box shown in FIG. 8;

FIG. 11 is a plan view of the polymeric junction box shown in FIG. 8;

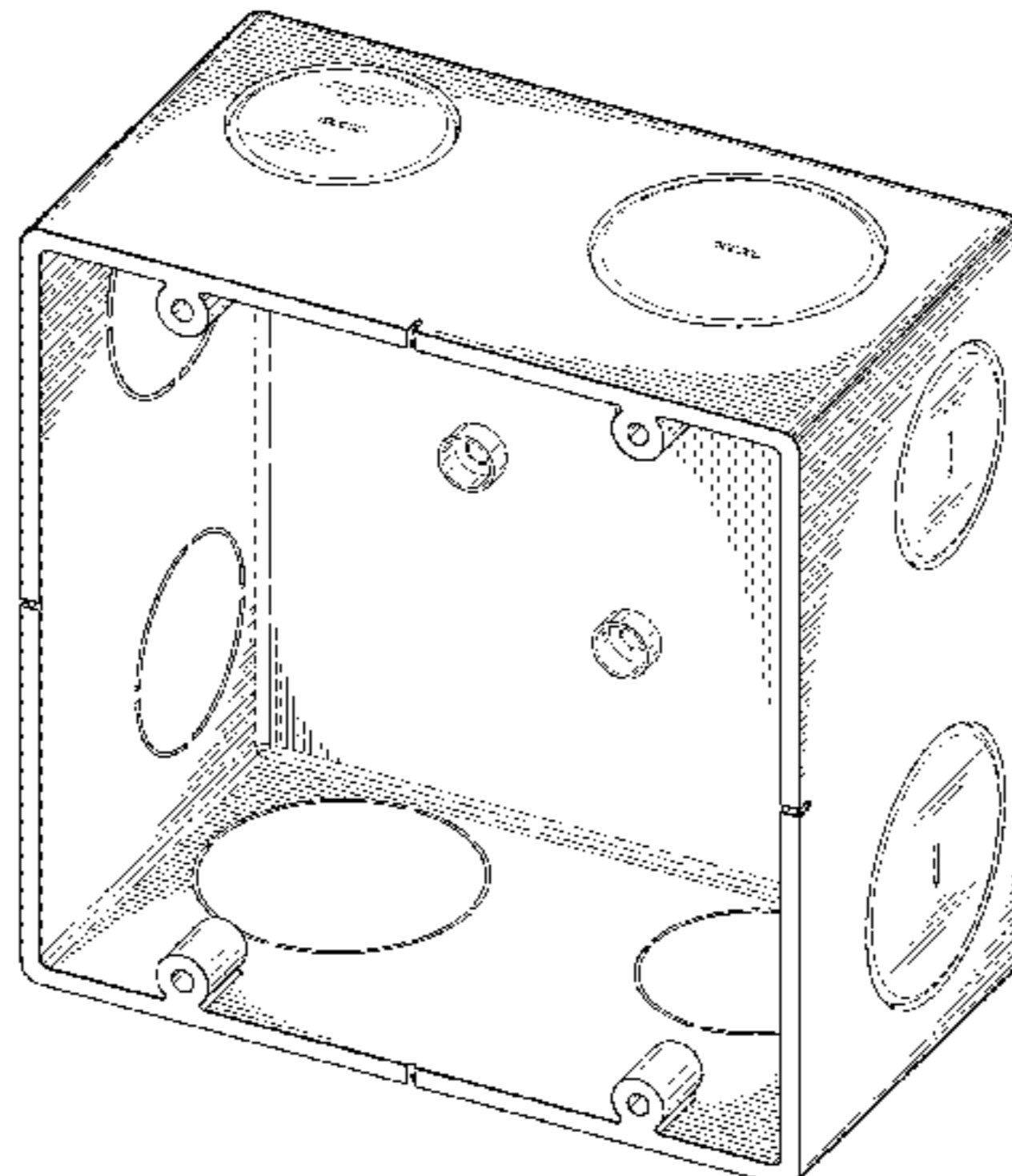
FIG. 12 is a bottom view of the polymeric junction box shown in FIG. 8;

FIG. 13 is a left side view of the polymeric junction box shown in FIG. 8; and,

FIG. 14 is a right side view of the polymeric junction box shown in FIG. 8.

In the drawings, the broken lines are for the purpose of illustrating environment only and form no part of the claimed design.

1 Claim, 12 Drawing Sheets



(56)

References Cited

U.S. PATENT DOCUMENTS

D468,697 S * 1/2003 Straub, Jr. D13/152
 D539,751 S * 4/2007 Kiely D13/152
 D584,236 S * 1/2009 Wegner D13/152
 D584,596 S * 1/2009 Doverspike D8/354
 D595,659 S 7/2009 Maurer
 D601,096 S 9/2009 Vigorito
 D640,982 S * 7/2011 Dixon D13/152
 8,044,300 B1 * 10/2011 Gretz H02G 3/123
 174/57
 D676,814 S * 2/2013 Paul D13/152
 D677,634 S * 3/2013 Korcz D13/152
 D679,252 S 4/2013 Wagner
 D684,935 S 6/2013 DeCosta
 D702,198 S 4/2014 Gretz
 D706,974 S * 6/2014 Nikayin D26/138
 D707,635 S * 6/2014 Hagarty D13/156

D719,528 S * 12/2014 Hagarty D13/156
 D719,529 S * 12/2014 Hagarty D13/156
 D721,041 S * 1/2015 Badowski D13/152
 D722,029 S * 2/2015 Hagarty D13/152
 D722,296 S * 2/2015 Taylor D13/152
 D722,977 S * 2/2015 Hagarty D13/152
 D722,978 S * 2/2015 Hagarty D13/152
 D723,473 S * 3/2015 Hagarty D13/152
 D732,482 S * 6/2015 Hagarty D13/156
 D735,142 S * 7/2015 Hagarty D13/152
 D735,677 S * 8/2015 Hagarty D13/152
 D738,317 S * 9/2015 Hagarty D13/156
 D743,346 S * 11/2015 Hagarty D13/152
 D744,431 S * 12/2015 Hagarty D13/152
 D745,465 S * 12/2015 Hagarty D13/152
 D745,466 S * 12/2015 Hagarty D13/153
 D752,520 S * 3/2016 Hagarty D13/152
 2004/0051648 A1 * 3/2004 Hagarty H02G 15/10
 340/693.9

* cited by examiner

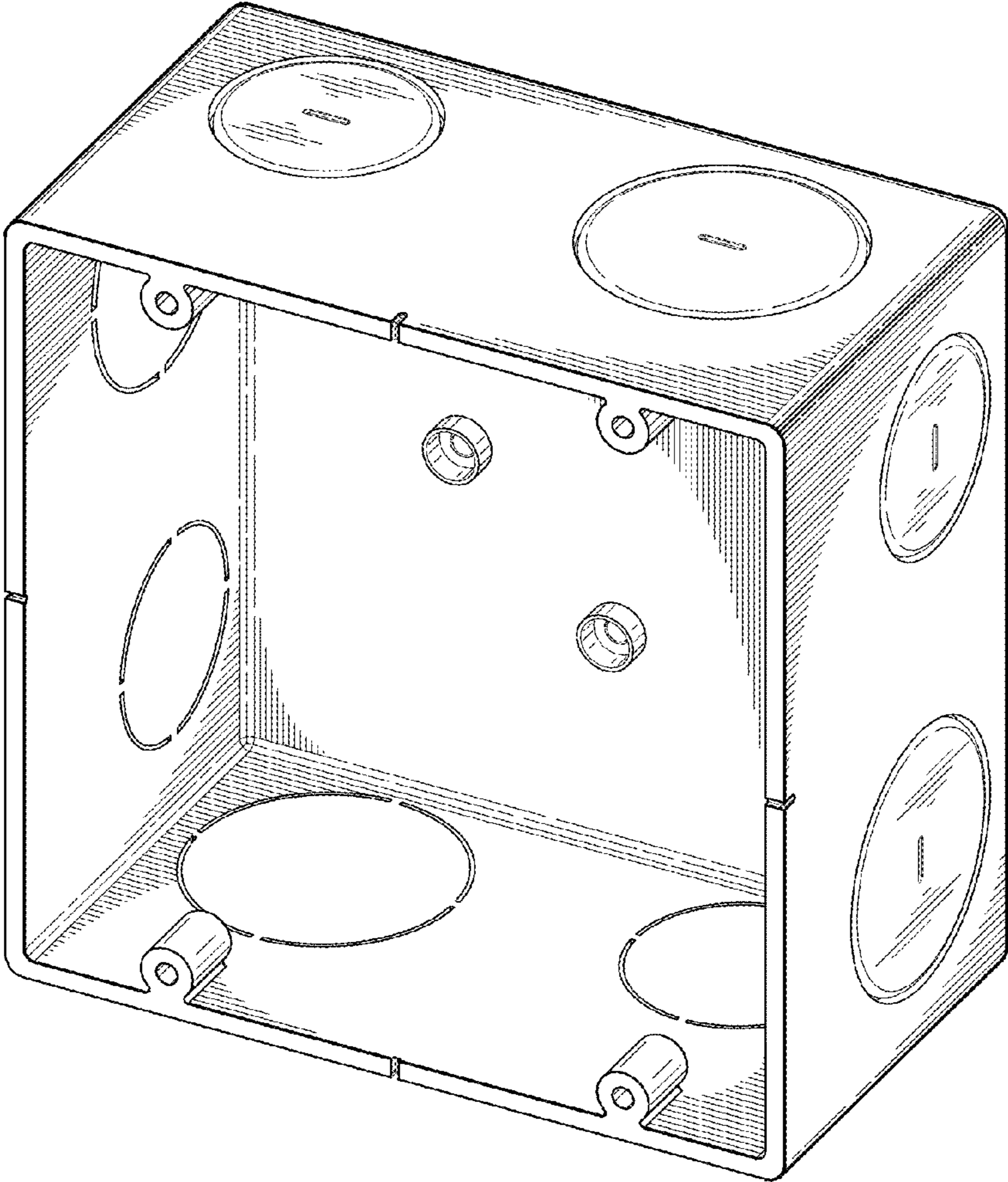


Fig. 1.

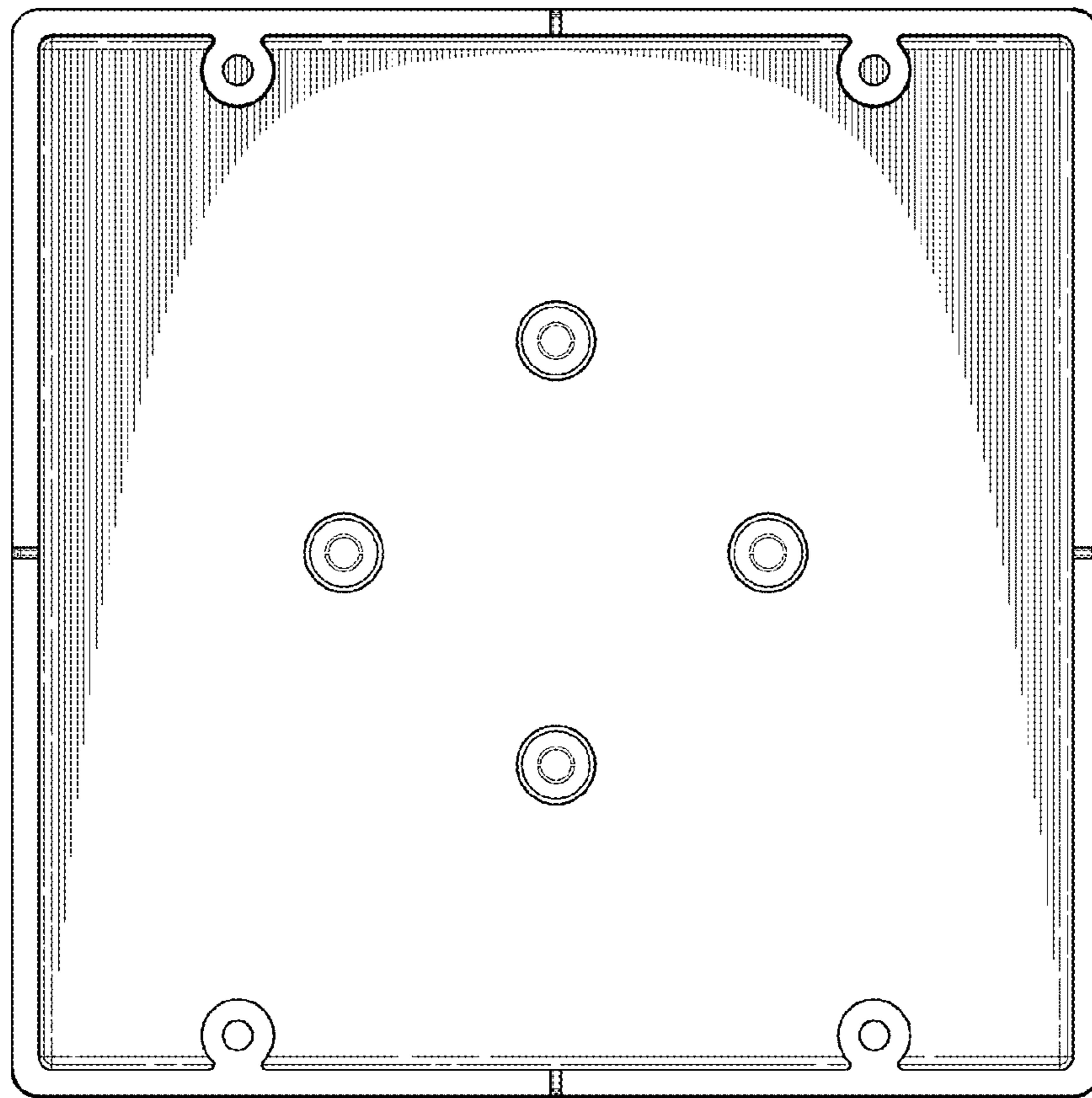


Fig. 2.

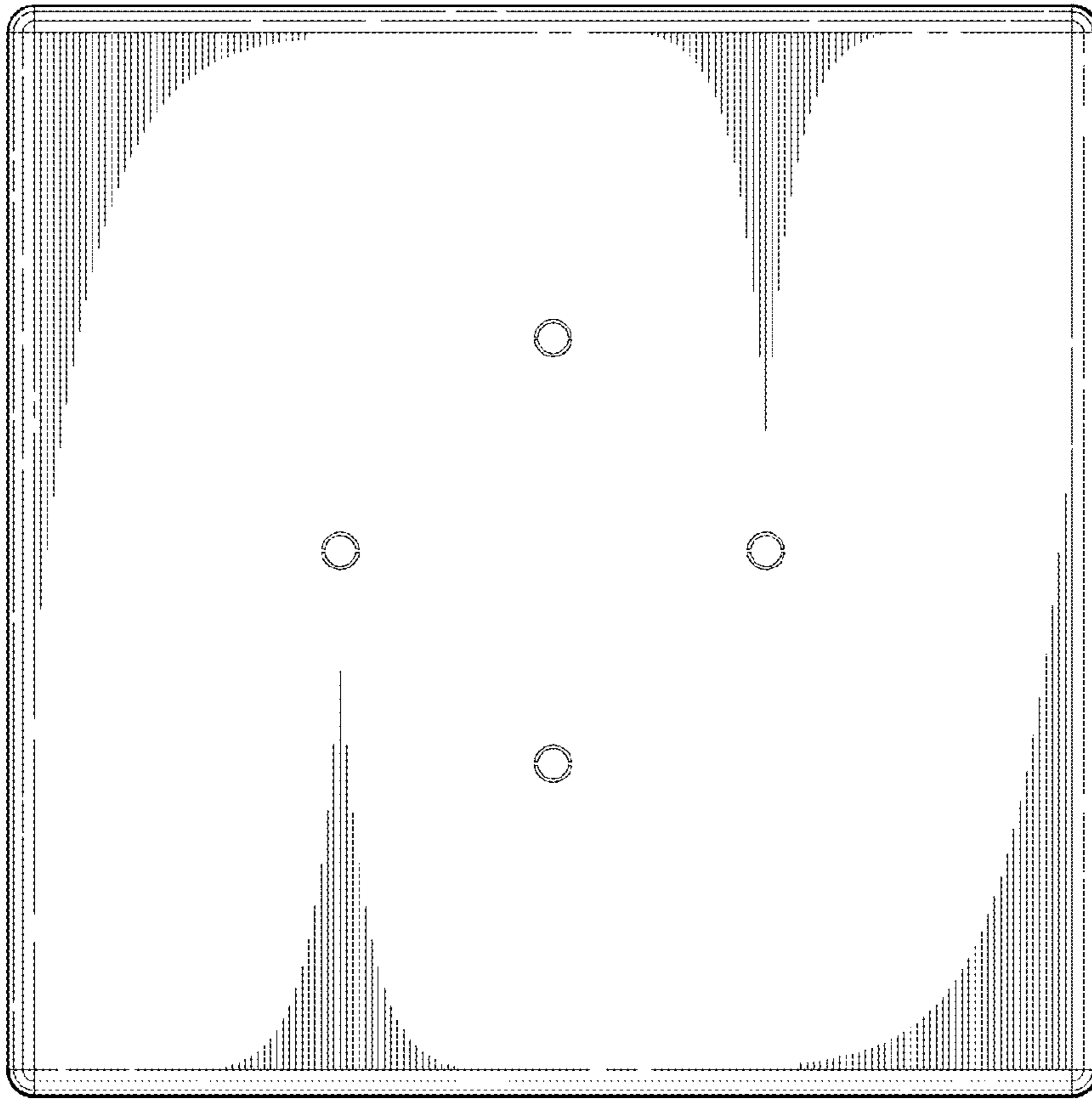


Fig. 3.

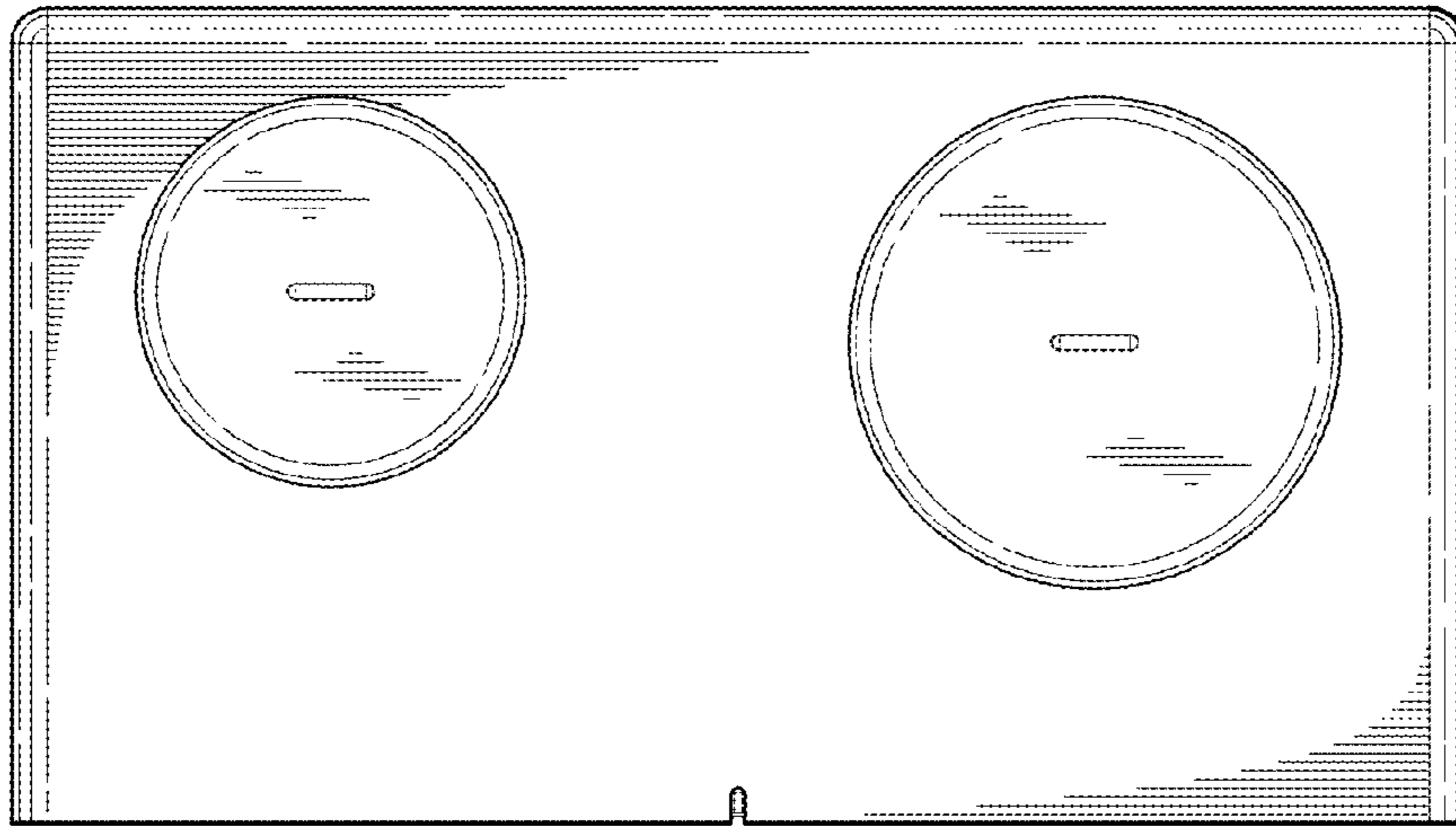


Fig. 4.

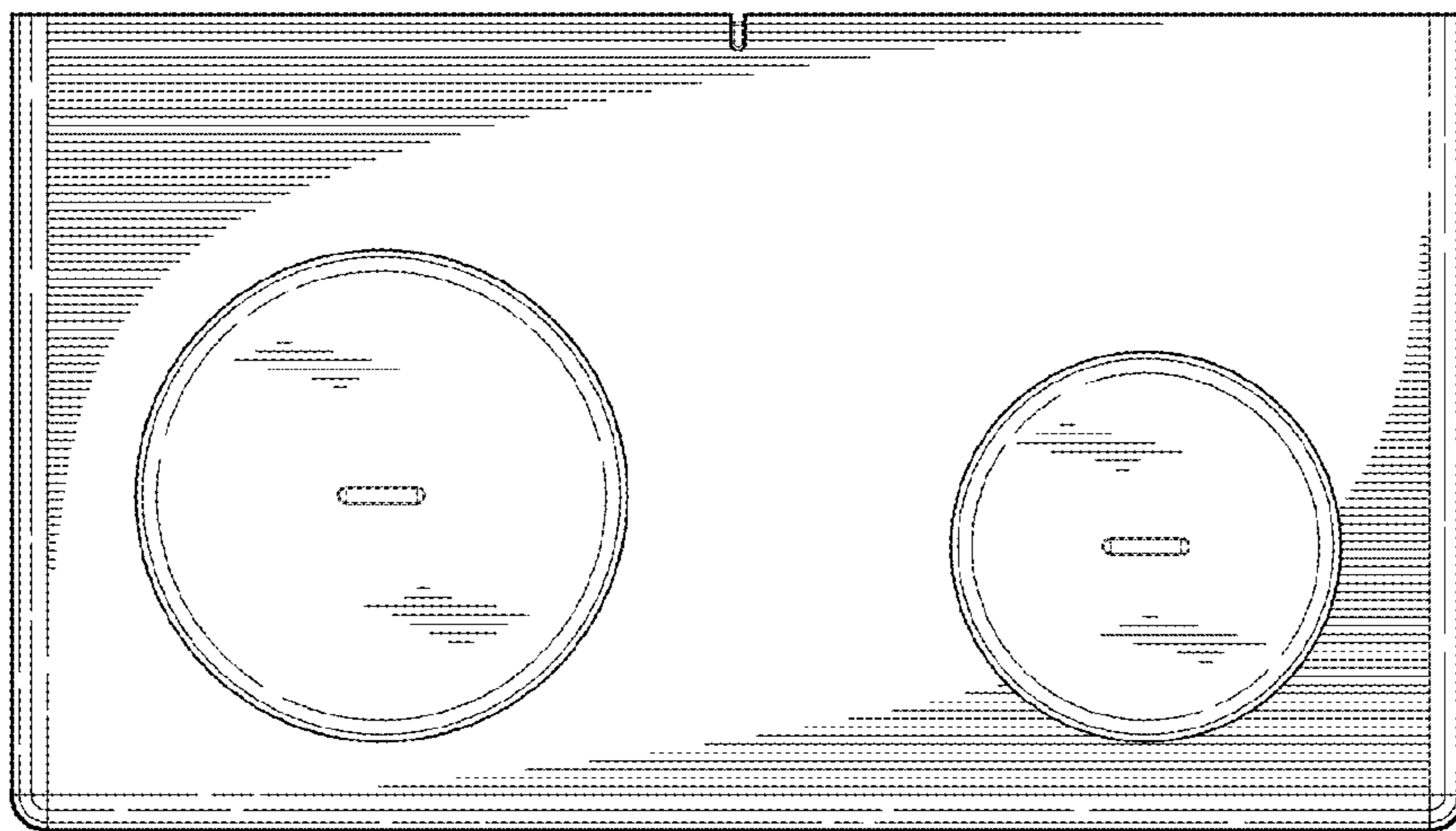


Fig. 5.

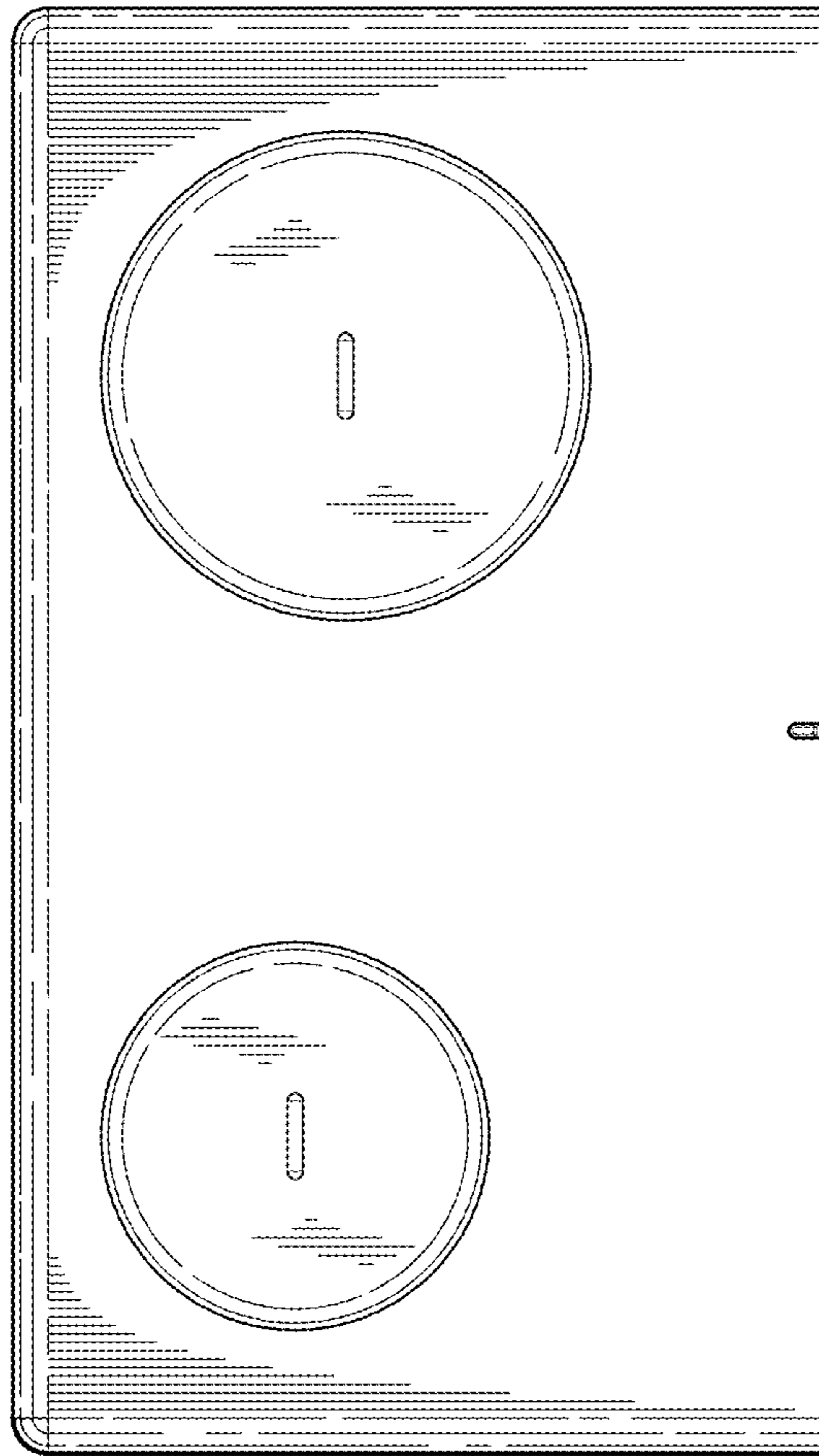


Fig. 6.

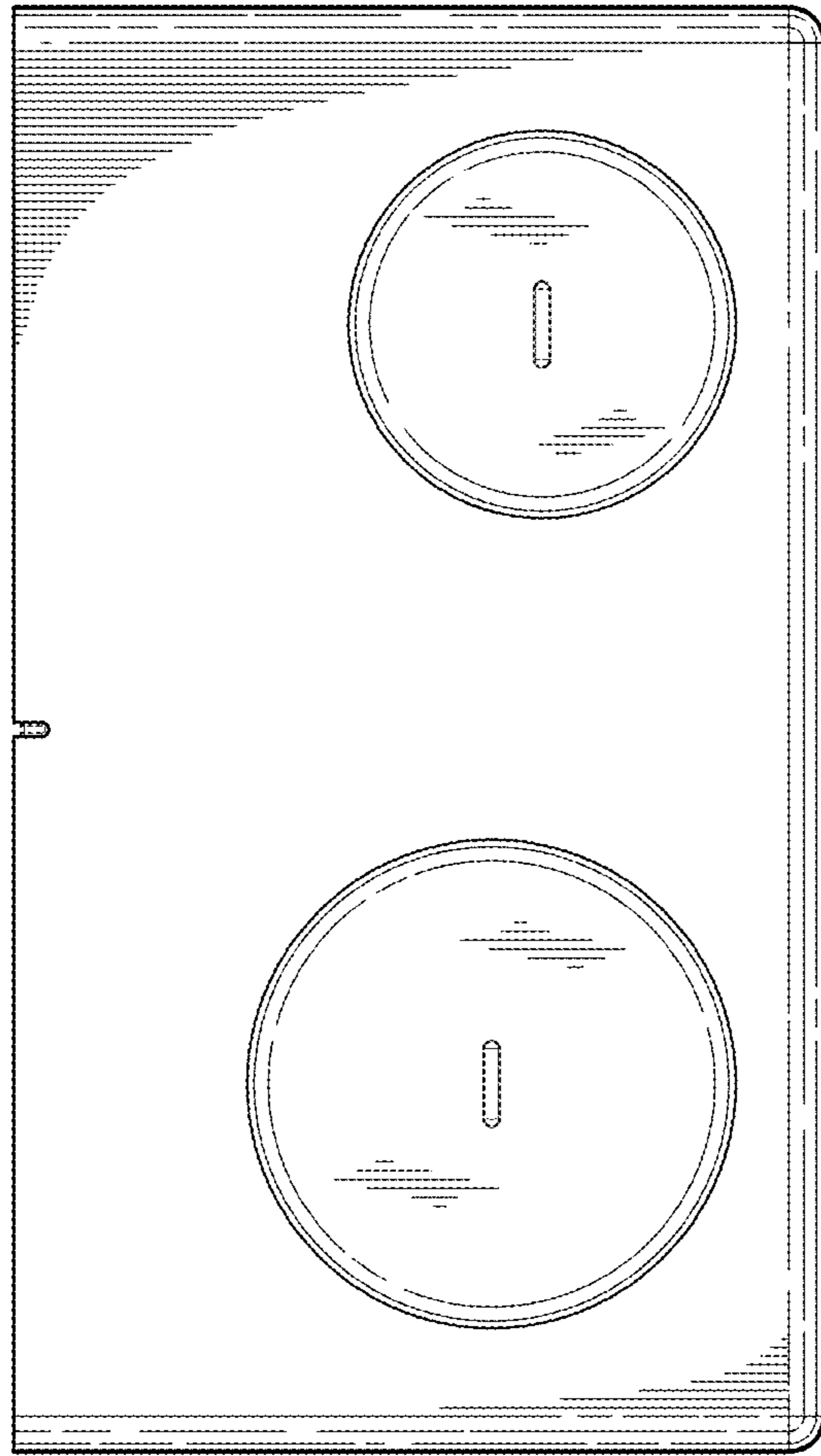


Fig. 7.

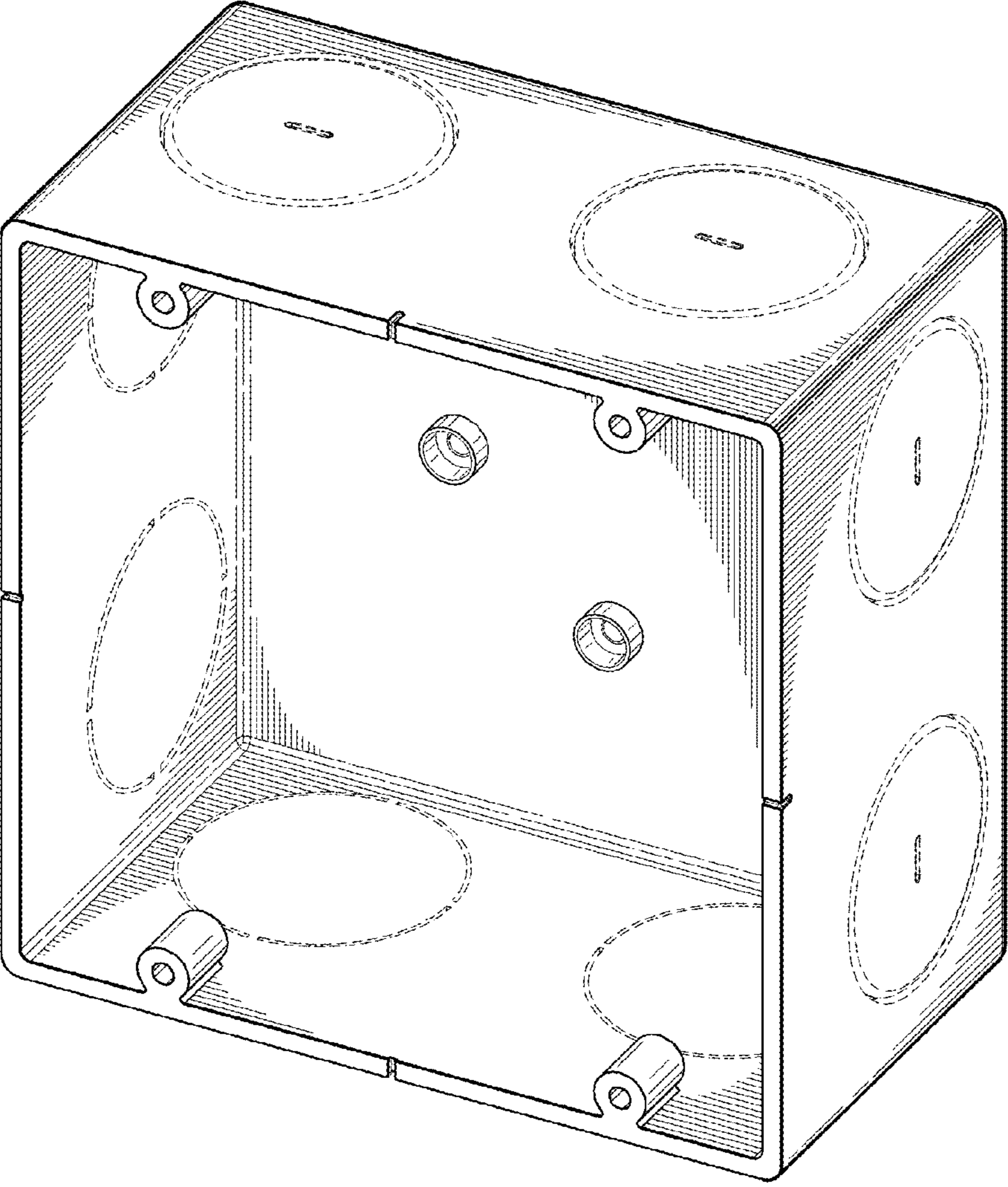


Fig. 8.

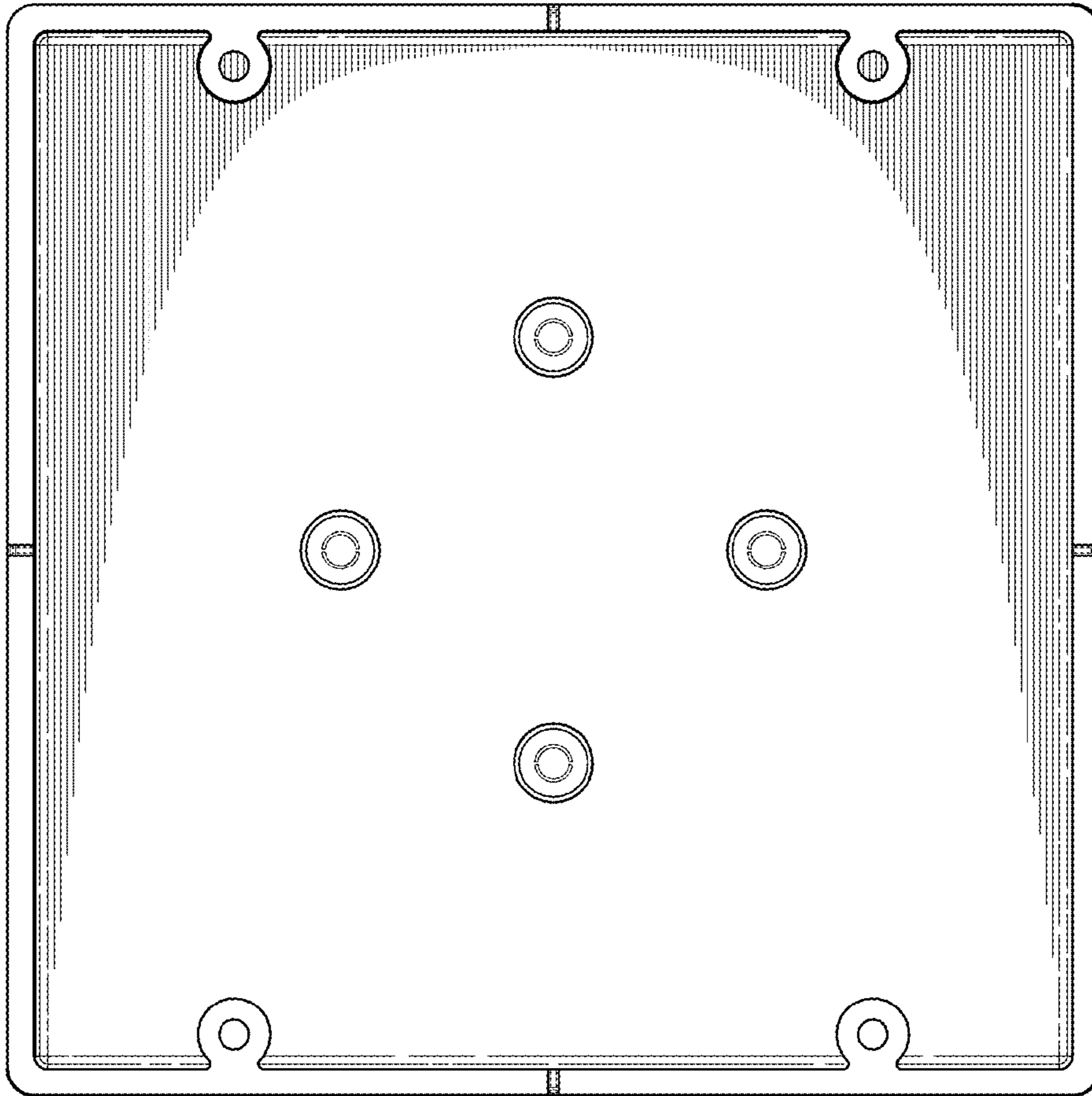


Fig. 9.

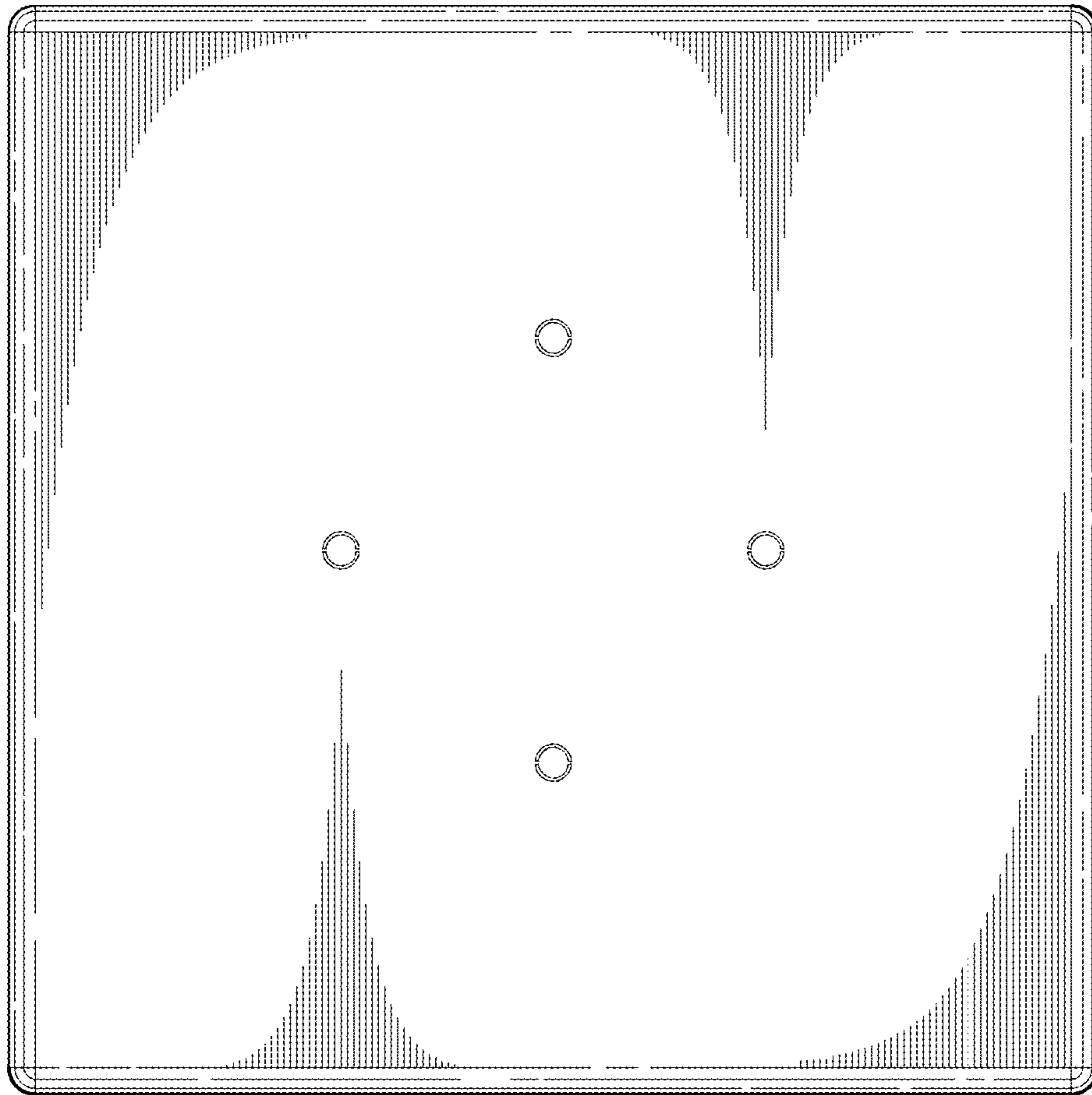


Fig. 10.

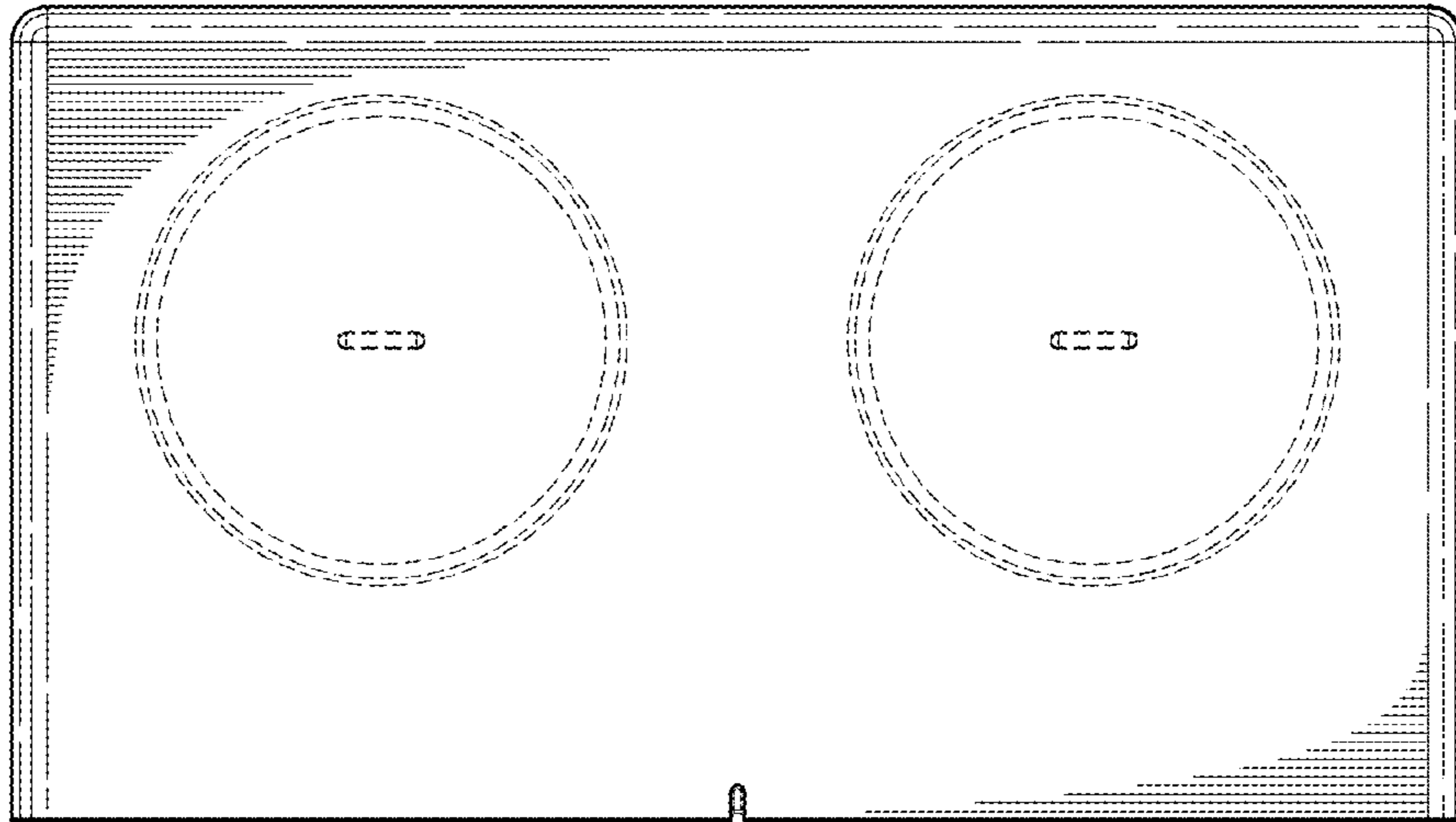


Fig. 11.

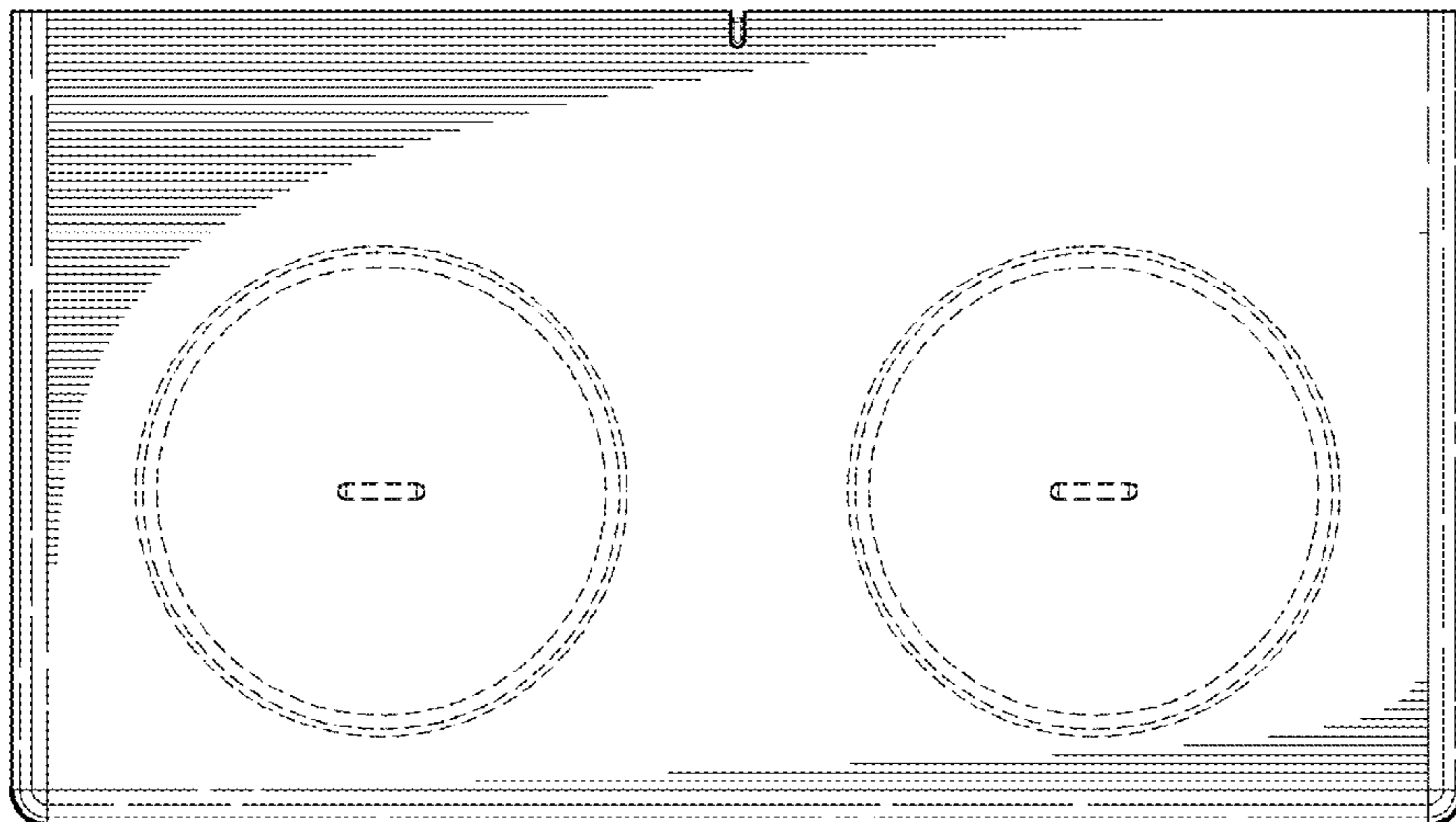


Fig. 12.

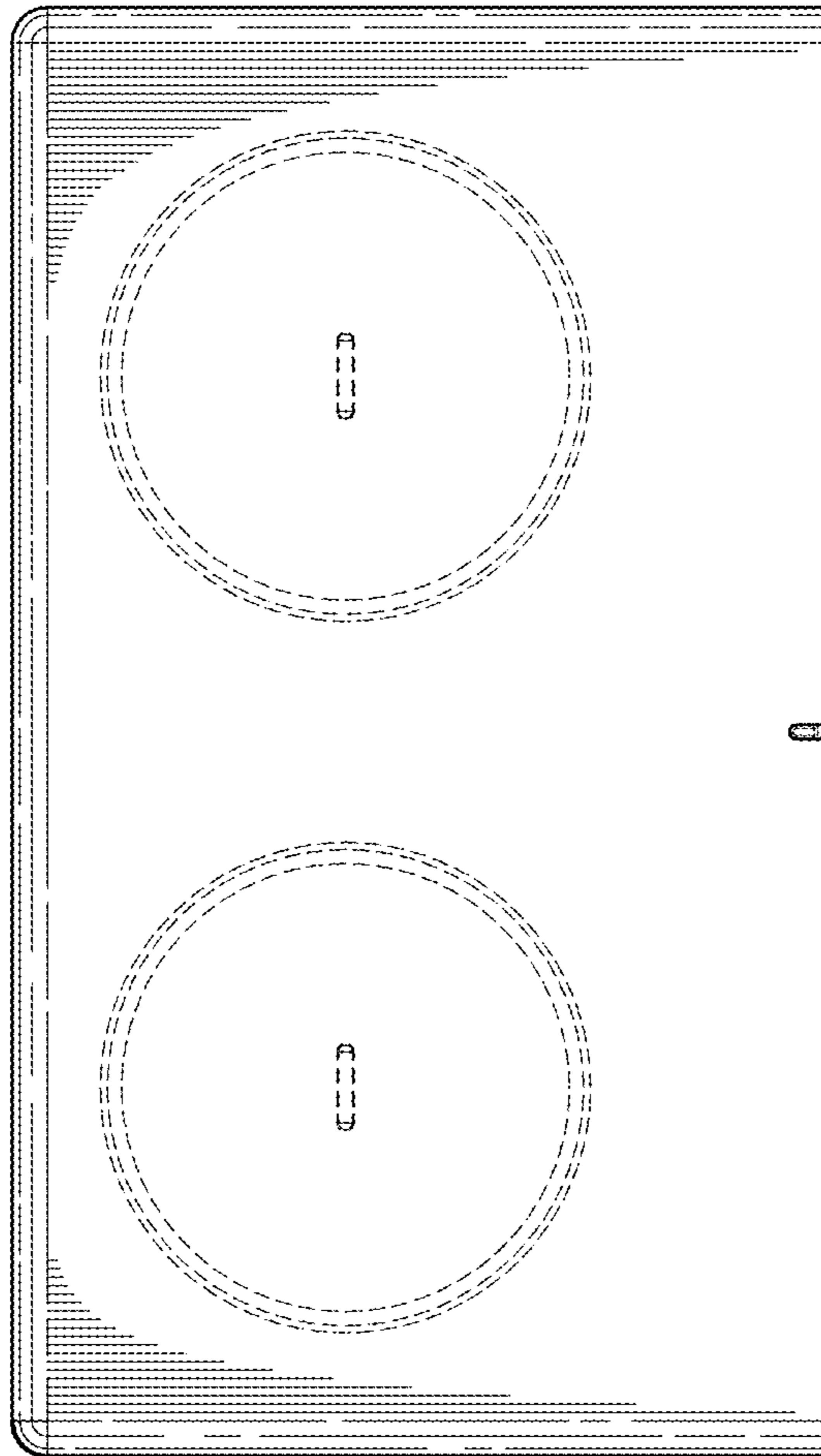


Fig. 13.

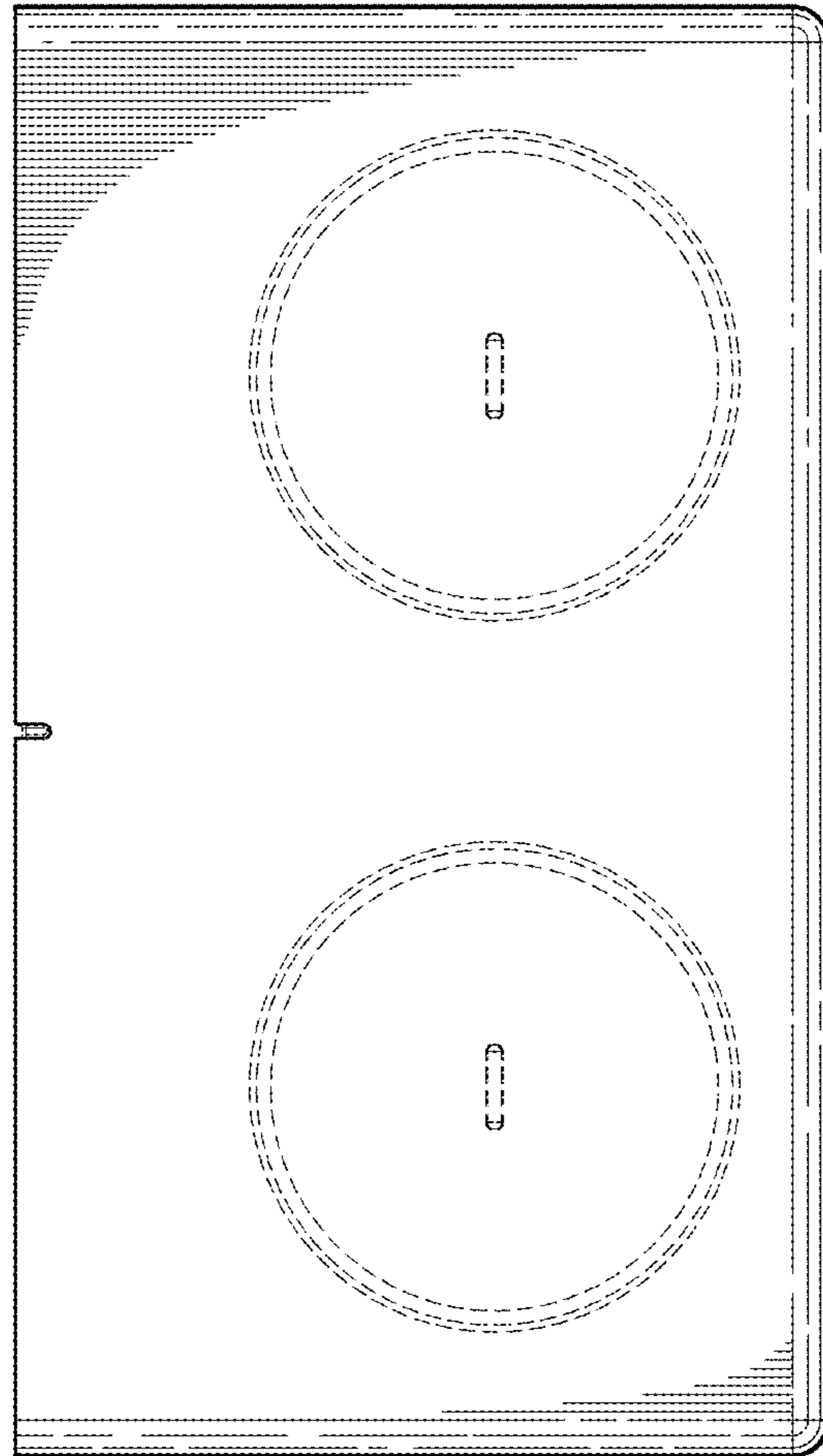


Fig. 14.