



US00D766184S

(12) **United States Design Patent**
Corona

(10) **Patent No.:** **US D766,184 S**

(45) **Date of Patent:** **** Sep. 13, 2016**

(54) **LOW PROFILE FEMALE ELECTRICAL CONNECTOR**

(71) Applicant: **DSM&T Company, Inc.**, Fontana, CA (US)

(72) Inventor: **Sergio Corona**, Upland, CA (US)

(73) Assignee: **DSM&T Company, Inc.**, Fontana, CA (US)

(**) Term: **15 Years**

(21) Appl. No.: **29/530,256**

(22) Filed: **Jun. 15, 2015**

(51) **LOC (10) Cl.** **13-03**

(52) **U.S. Cl.**
USPC **D13/133; D13/146**

(58) **Field of Classification Search**
USPC D13/118, 120, 123, 133, 146, 147, 149, D13/154, 156, 173, 184, 199
CPC H01R 4/48; H01R 4/24; H01R 4/50; H01R 9/00; H01R 9/03; H01R 9/05; H01R 9/22; H01R 12/00; H01R 13/24; H01R 13/28; H01R 13/52; H01R 13/64; H01R 24/00; H01R 33/00; H01R 43/00; H01B 1/026; H01B 5/00; H01B 7/00; A61N 1/056; B29C 45/14

See application file for complete search history.

(56) **References Cited**

U.S. PATENT DOCUMENTS

5,401,181 A	3/1995	Wilson	
D360,187 S *	7/1995	Starec D13/146
D360,871 S	8/1995	Wilson	
D360,872 S	8/1995	Wilson	
D437,828 S	2/2001	Corona	
D439,221 S	3/2001	Corona	
D445,763 S	7/2001	Corona	
D446,186 S	8/2001	Corona	
6,379,169 B1	4/2002	Corona	
6,383,003 B1	5/2002	Corona	

D473,844 S *	4/2003	Bender D13/133
D524,737 S *	7/2006	Lai D13/133
D535,618 S *	1/2007	Hu D13/133
7,390,210 B2	6/2008	Corona	
7,785,123 B2	8/2010	Corona	
D677,629 S	3/2013	Corona	
D678,200 S	3/2013	Corona	
D678,201 S	3/2013	Corona	
D678,202 S	3/2013	Corona	
D678,203 S	3/2013	Corona	
D678,204 S	3/2013	Corona	
D682,209 S *	5/2013	Henrink D13/133
D682,793 S *	5/2013	Igelmund D13/156
D716,732 S *	11/2014	Neumann D13/133
D729,169 S	5/2015	Corona	
D748,058 S *	1/2016	Corona D13/146
2008/0108243 A1 *	5/2008	Corona B29C 45/14065 439/352
2011/0003512 A1 *	1/2011	Bower H01R 13/642 439/627
2015/0126075 A1 *	5/2015	Chen H01R 13/642 439/678

* cited by examiner

Primary Examiner — Thomas Johannes

Assistant Examiner — Shawn T Gingrich

(74) *Attorney, Agent, or Firm* — Keusey & Associates, P.C.

(57) **CLAIM**

The ornamental design for a low profile female electrical connector, as shown and described.

DESCRIPTION

FIG. 1 is a top, front, left side perspective view of my new design of a low profile male electrical connector.

FIG. 2 is a top plan view thereof, the bottom being identical thereto.

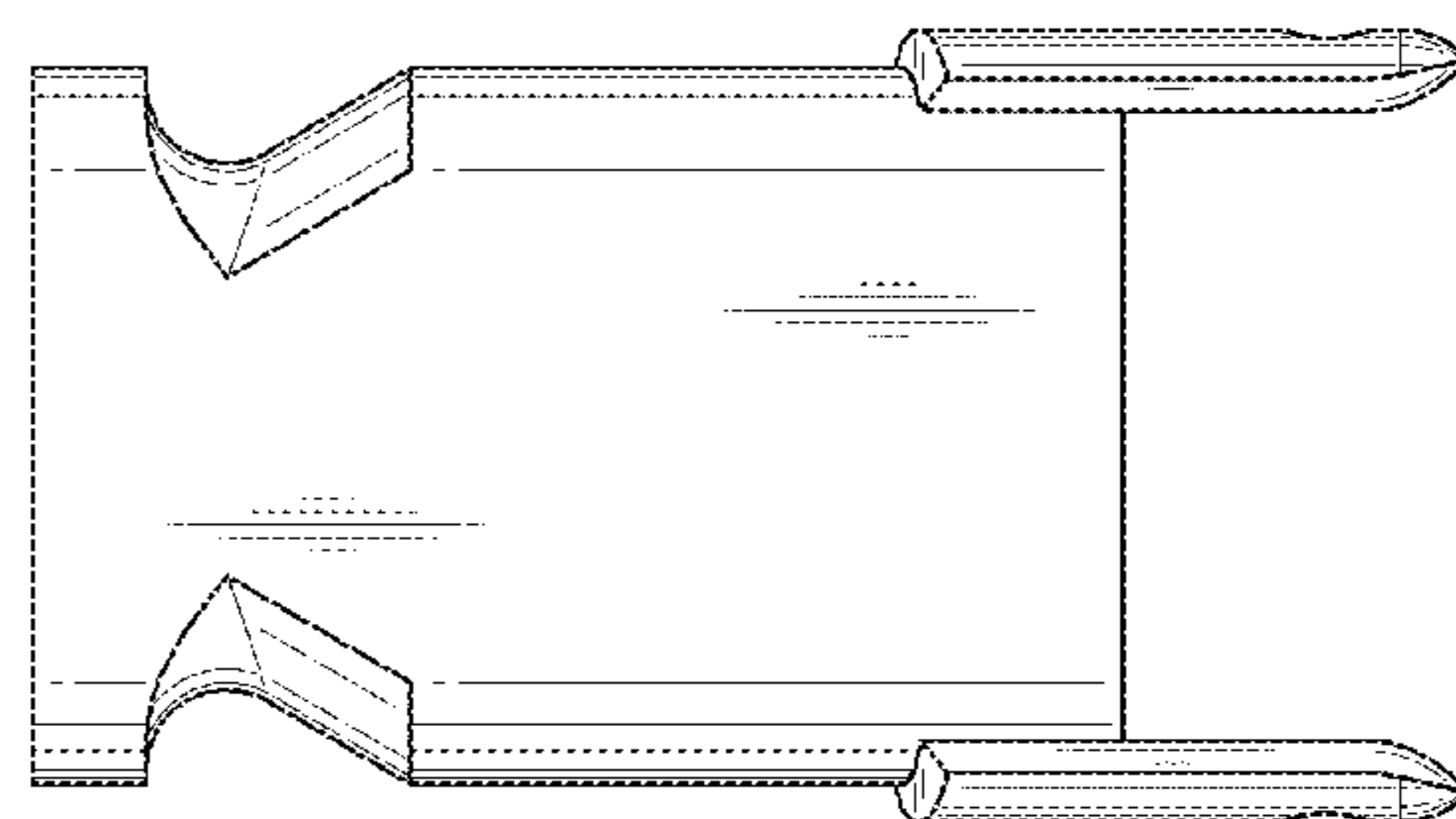
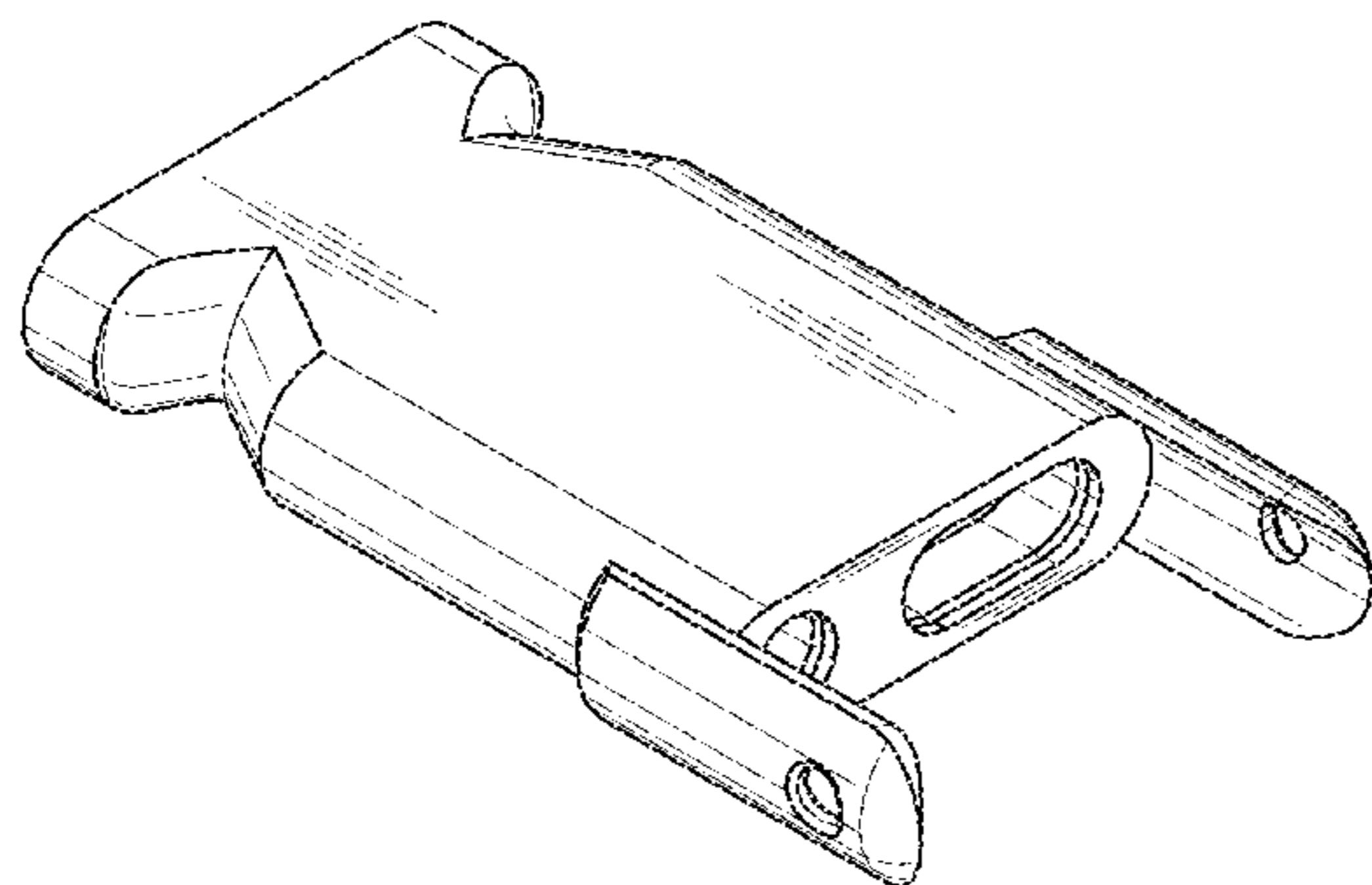
FIG. 3 is a left side elevational view thereof, the right side being identical thereto.

FIG. 4 is a front side elevational view thereof; and,

FIG. 5 is a back side elevational view thereof.

The broken lines in FIGS. 4 and 5 are included to show portion of the article that form no part of the claimed design.

1 Claim, 2 Drawing Sheets



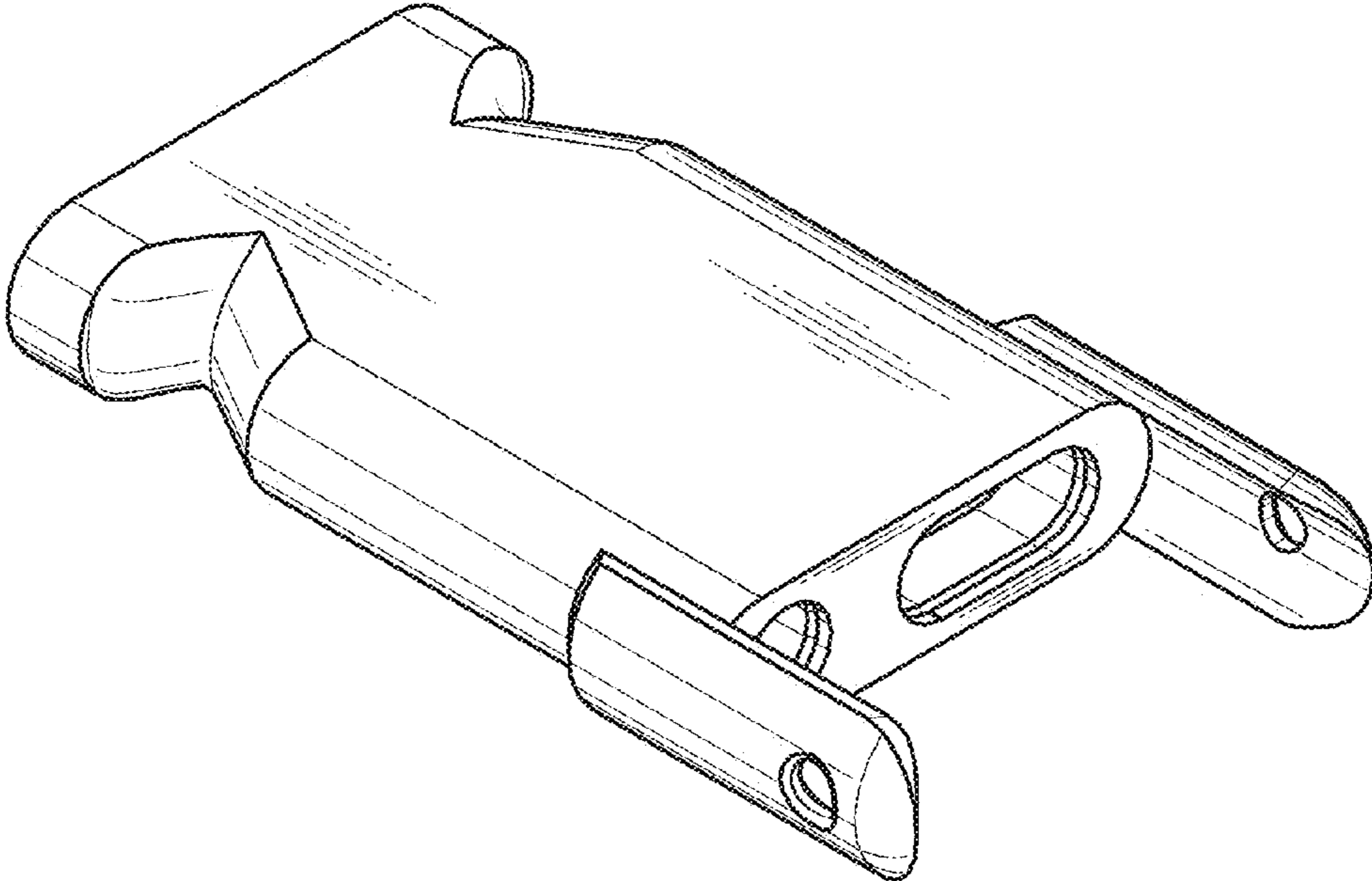


FIG. 1

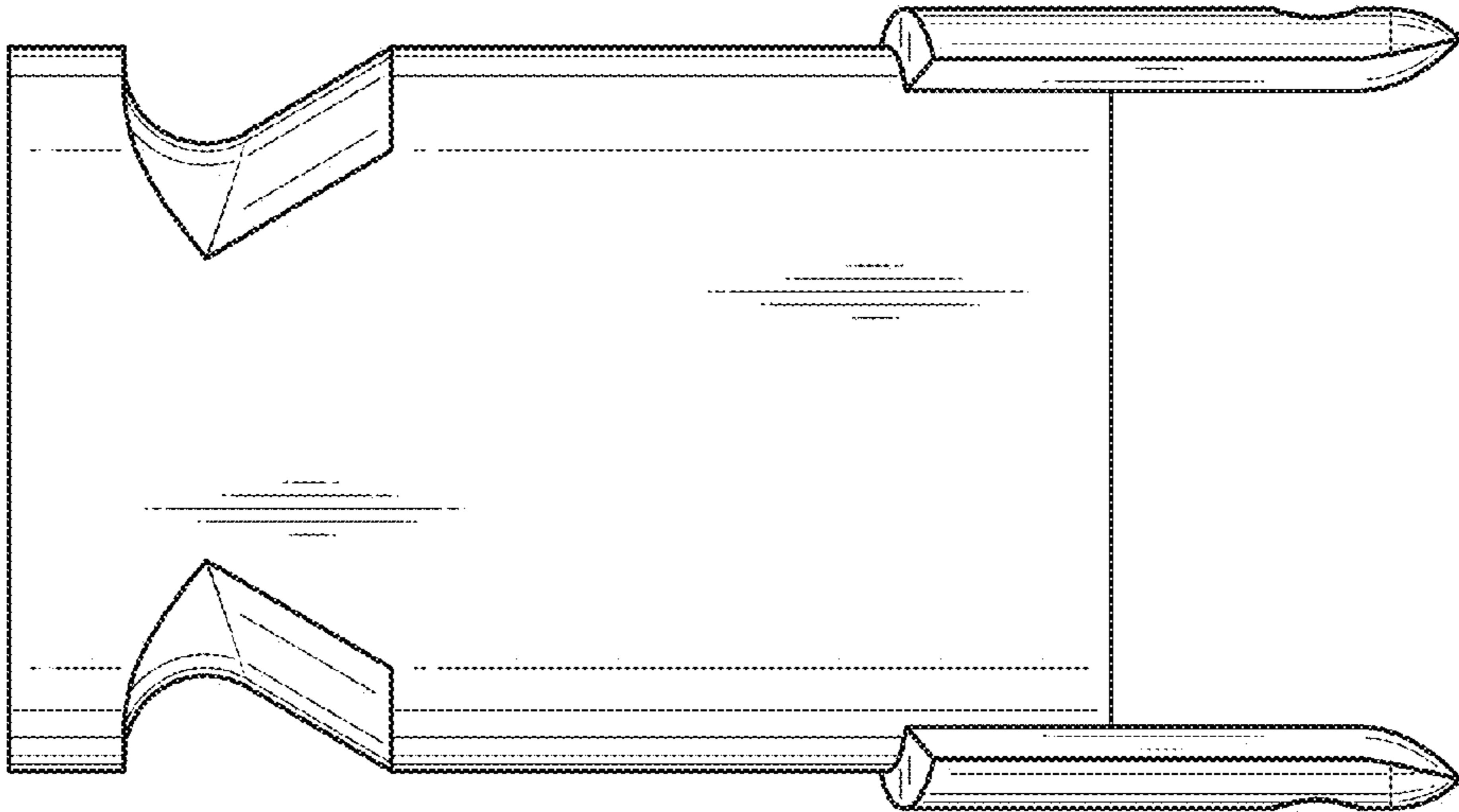


FIG. 2

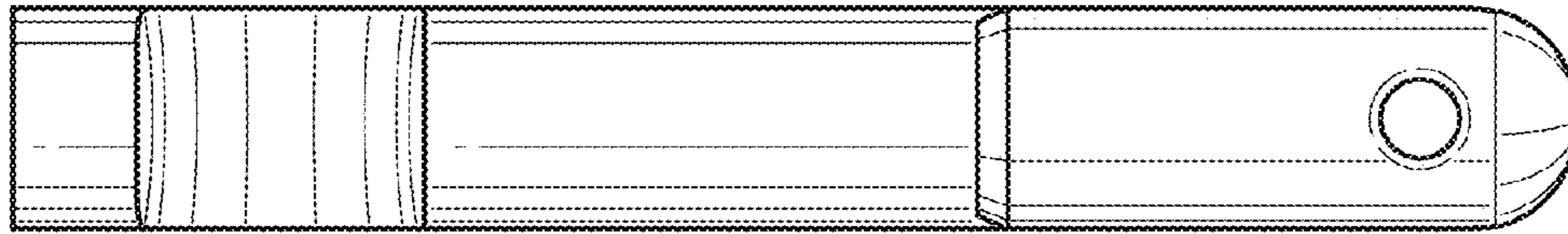


FIG. 3

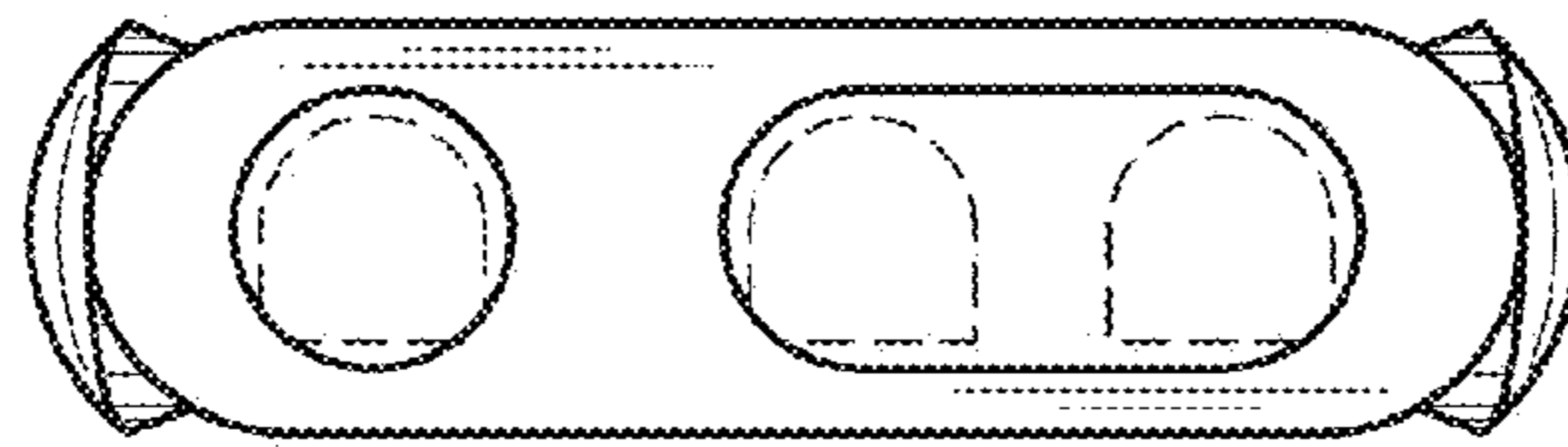


FIG. 4

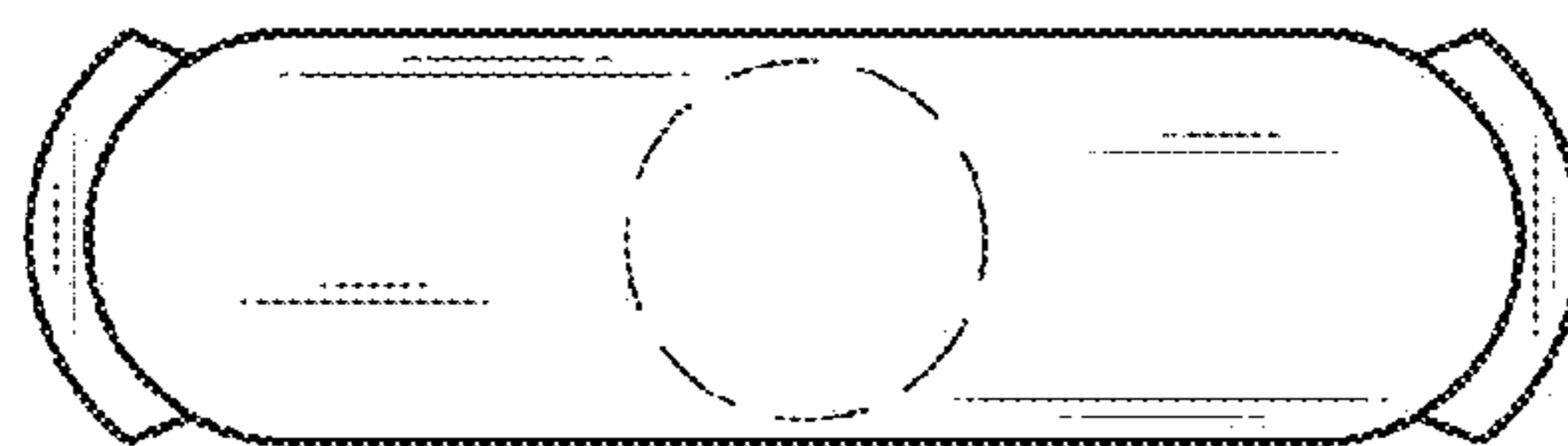


FIG. 5