



US00D766180S

(12) **United States Design Patent**
Morel

(10) **Patent No.:** **US D766,180 S**

(45) **Date of Patent:** **** Sep. 13, 2016**

(54) **CURRENT TRANSDUCER**

(71) Applicant: **LEM Intellectual Property SA,**
Fribourg (CH)

(72) Inventor: **Pascal Morel,** Saint Pierre en Faucigny
(FR)

(73) Assignee: **LEM INTELLECTUAL PROPERTY**
SA, Fribourg (CH)

(**) Term: **14 Years**

(21) Appl. No.: **29/516,488**

(22) Filed: **Feb. 3, 2015**

(30) **Foreign Application Priority Data**

Aug. 27, 2014 (WO) 835662601

(51) **LOC (10) Cl.** **13-02**

(52) **U.S. Cl.**
USPC **D13/110**

(58) **Field of Classification Search**
USPC D13/110, 101, 117, 123, 124, 159, 182,
D13/184, 199; D10/75; 73/767, 771, 779,
73/801, 811; 324/117 H, 117 R, 120, 121 R,
324/127; 361/18, 30, 31, 93.1-93.9;
367/140; 369/13.11-13.13; 381/150;
336/173, 176, 178

CPC .. H01R 13/5812; G01R 33/06; G01R 15/20;
G01R 15/202; G01R 19/18; G01R 19/20;
G01R 19/22; G01R 19/0084; G01R 19/0092;
G01R 19/00; G01R 5/20; G01R 5/22; G01R
5/24; G01R 5/26

See application file for complete search history.

(56) **References Cited**

U.S. PATENT DOCUMENTS

D288,314 S * 2/1987 Makinson D13/110
D534,120 S * 12/2006 Ricci D13/110

7,598,601 B2 * 10/2009 Taylor G01R 15/202
174/536

7,615,986 B2 * 11/2009 Nomoto G01R 15/202
324/117 H

D685,325 S 7/2013 Hayashi

D685,734 S * 7/2013 Sage D13/110

FOREIGN PATENT DOCUMENTS

CN ZL-201230557153.8 7/2013

CN 201430355130.8 1/2015

CN 201430354961.3 3/2015

JP 1471194 6/2013

JP 2014021079 A 9/2014

JP 1516203 1/2015

WO DM-078510 11/2012

WO DM-083242 3/2014

* cited by examiner

Primary Examiner — Derrick Holland

(74) *Attorney, Agent, or Firm* — Harness, Dickey & Pierce,
P.L.C.

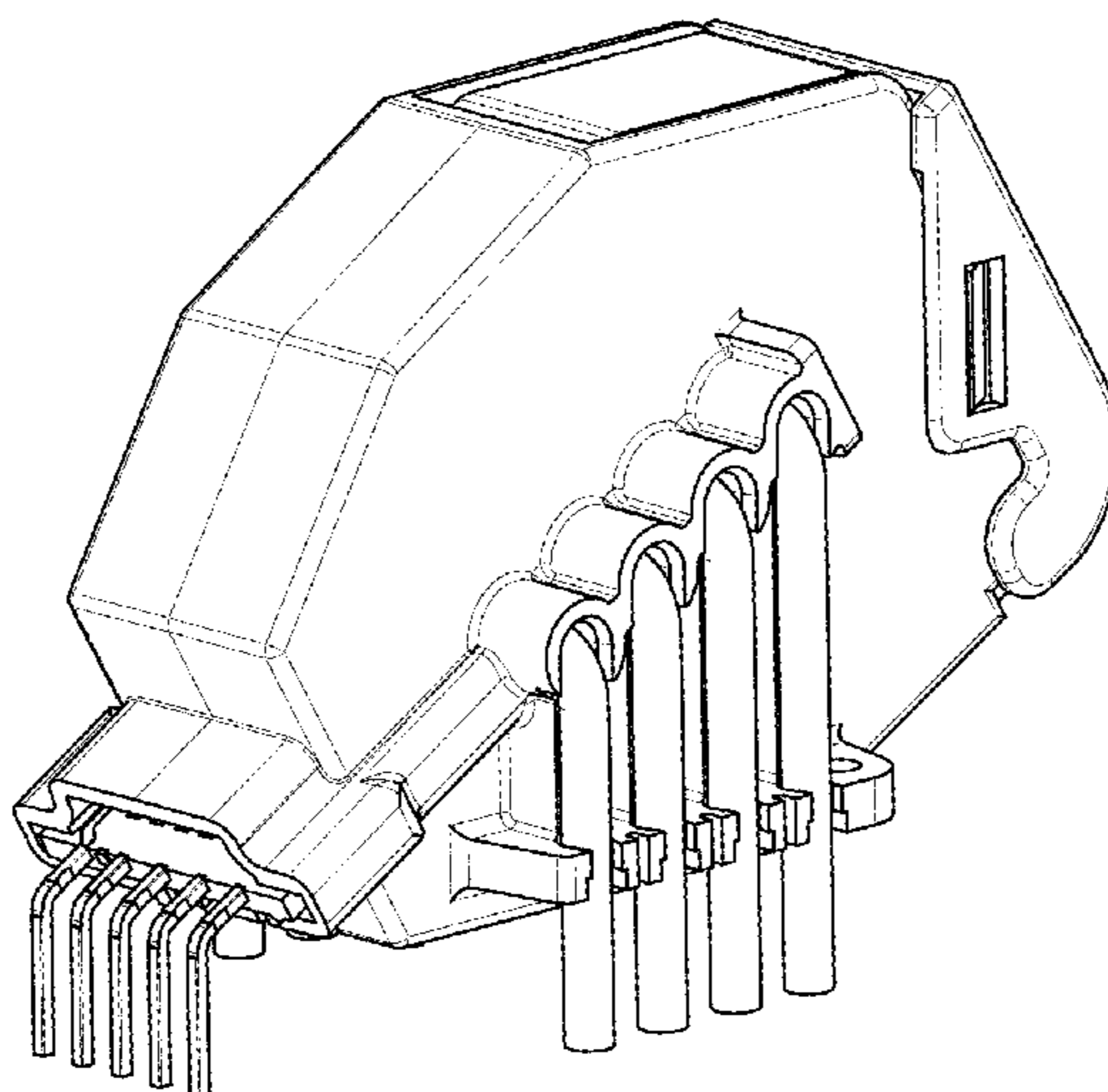
(57) **CLAIM**

The ornamental design for a current transducer, as shown
and described.

DESCRIPTION

FIG. 1 is front perspective view of a current transducer
showing my new design;
FIG. 2 is rear perspective view thereof;
FIG. 3 is a front elevational view thereof;
FIG. 4 is a rear elevational view thereof;
FIG. 5 is a left side view thereof;
FIG. 6 is a right side view thereof;
FIG. 7 is a top view thereof; and,
FIG. 8 is a bottom view thereof.

1 Claim, 4 Drawing Sheets



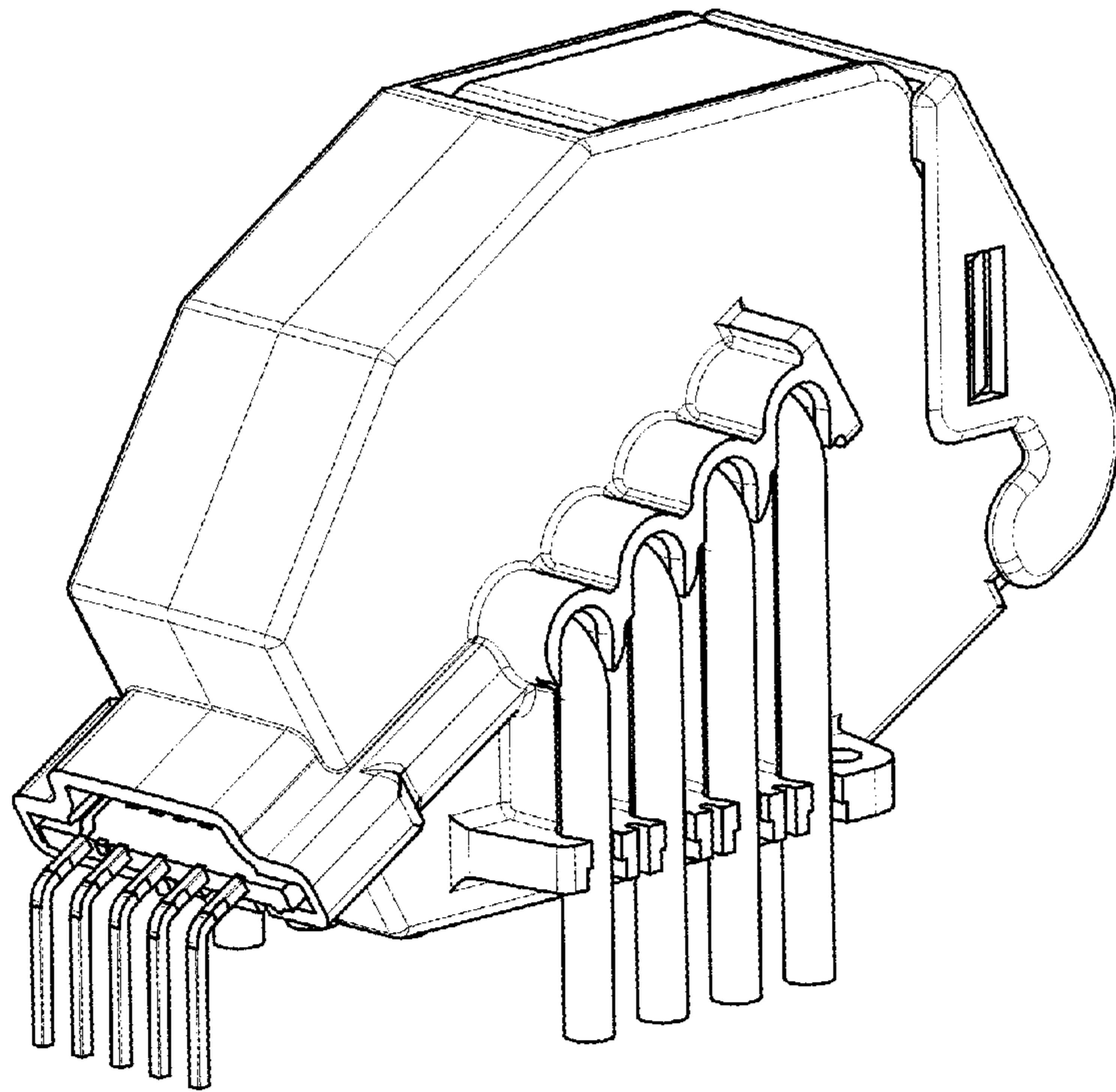


FIG. 1

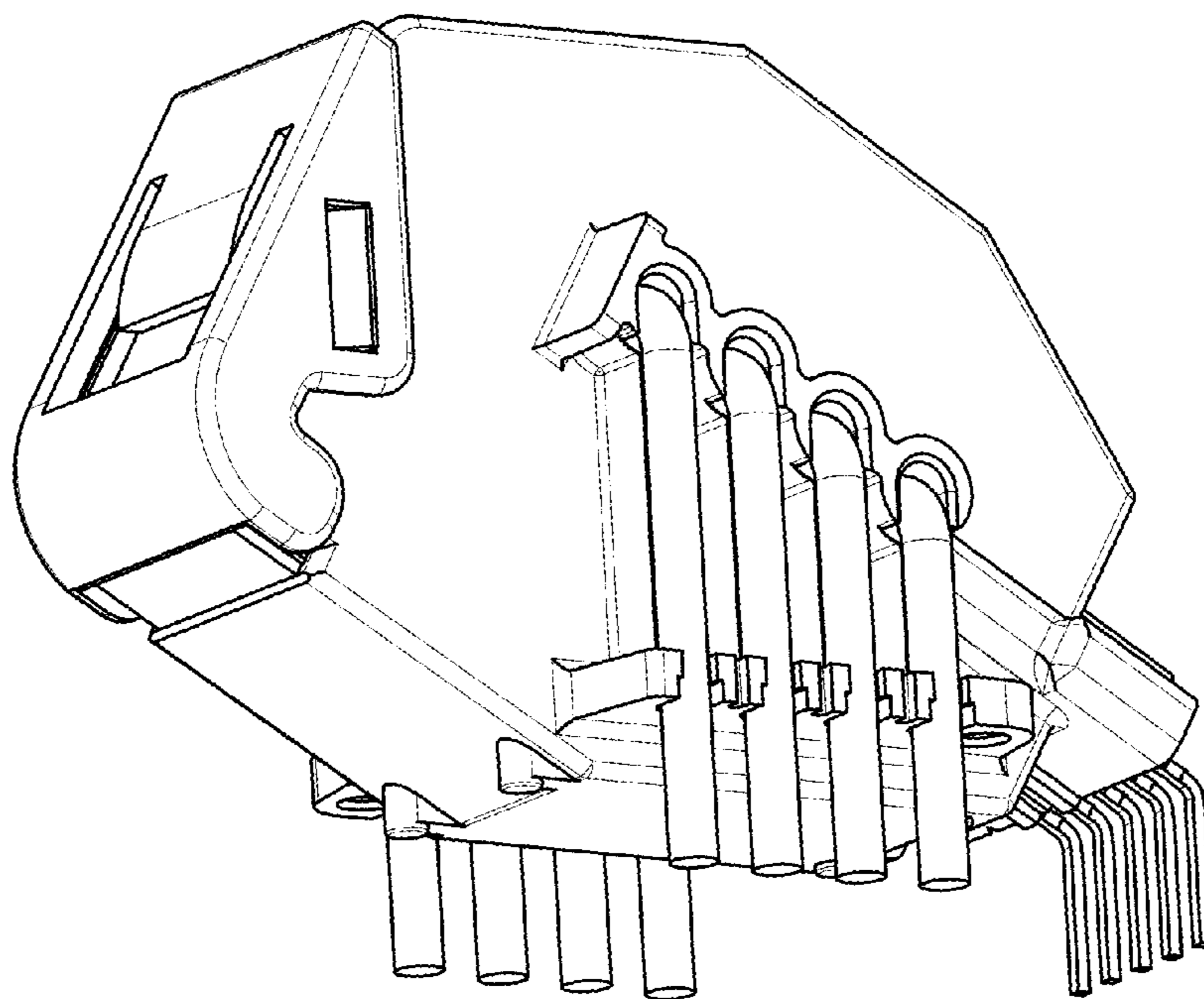


FIG. 2

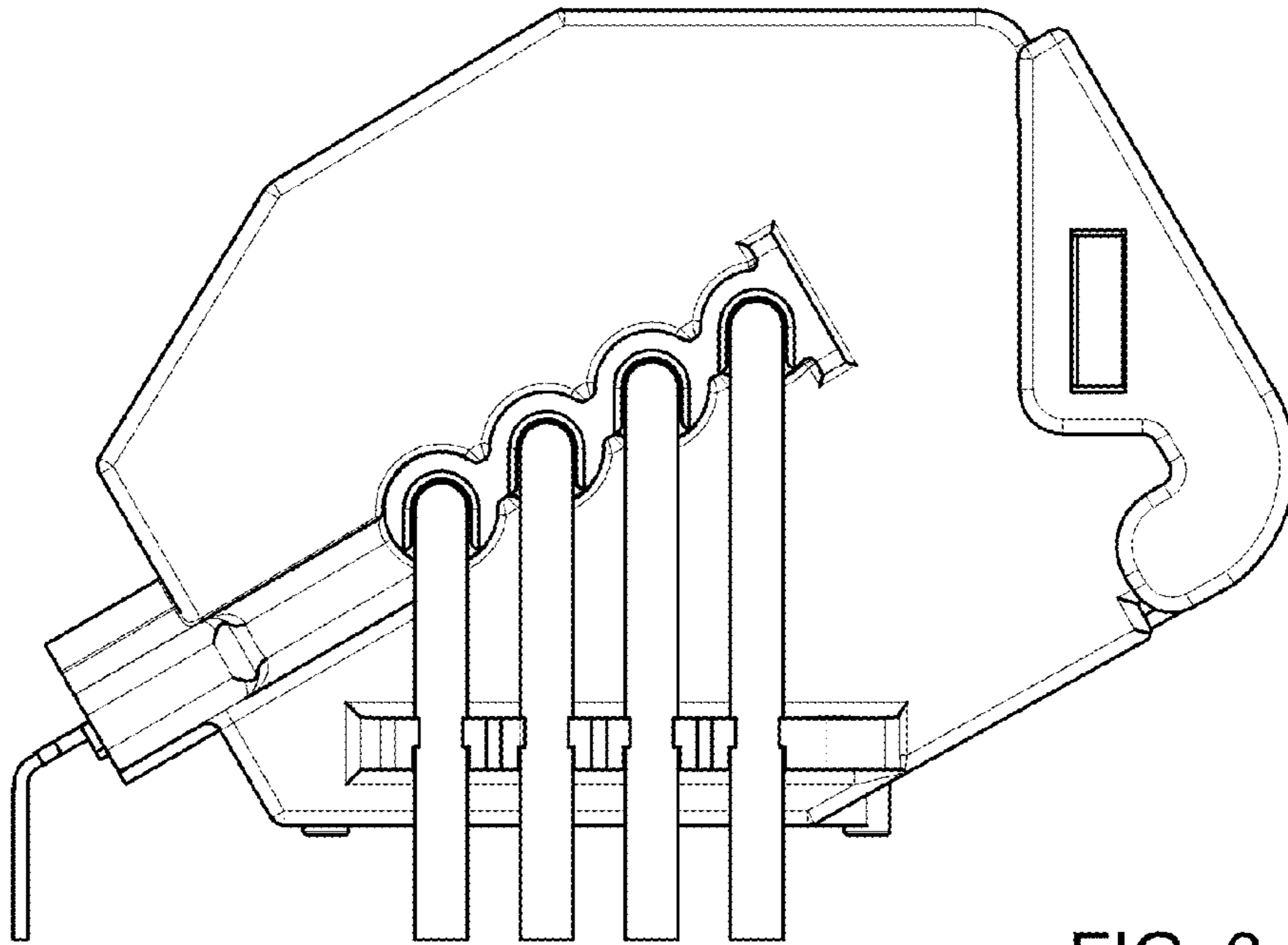


FIG. 3

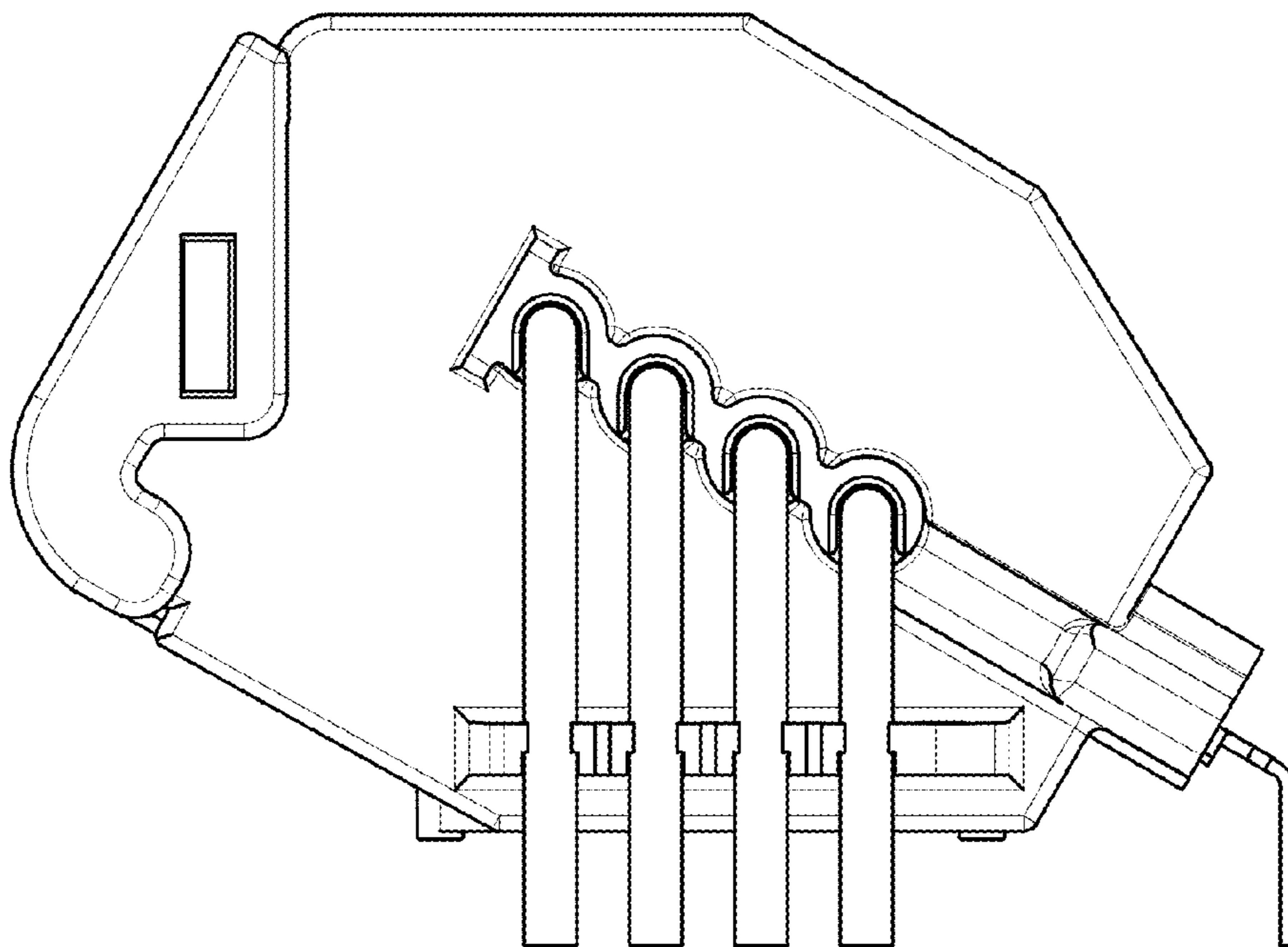


FIG. 4

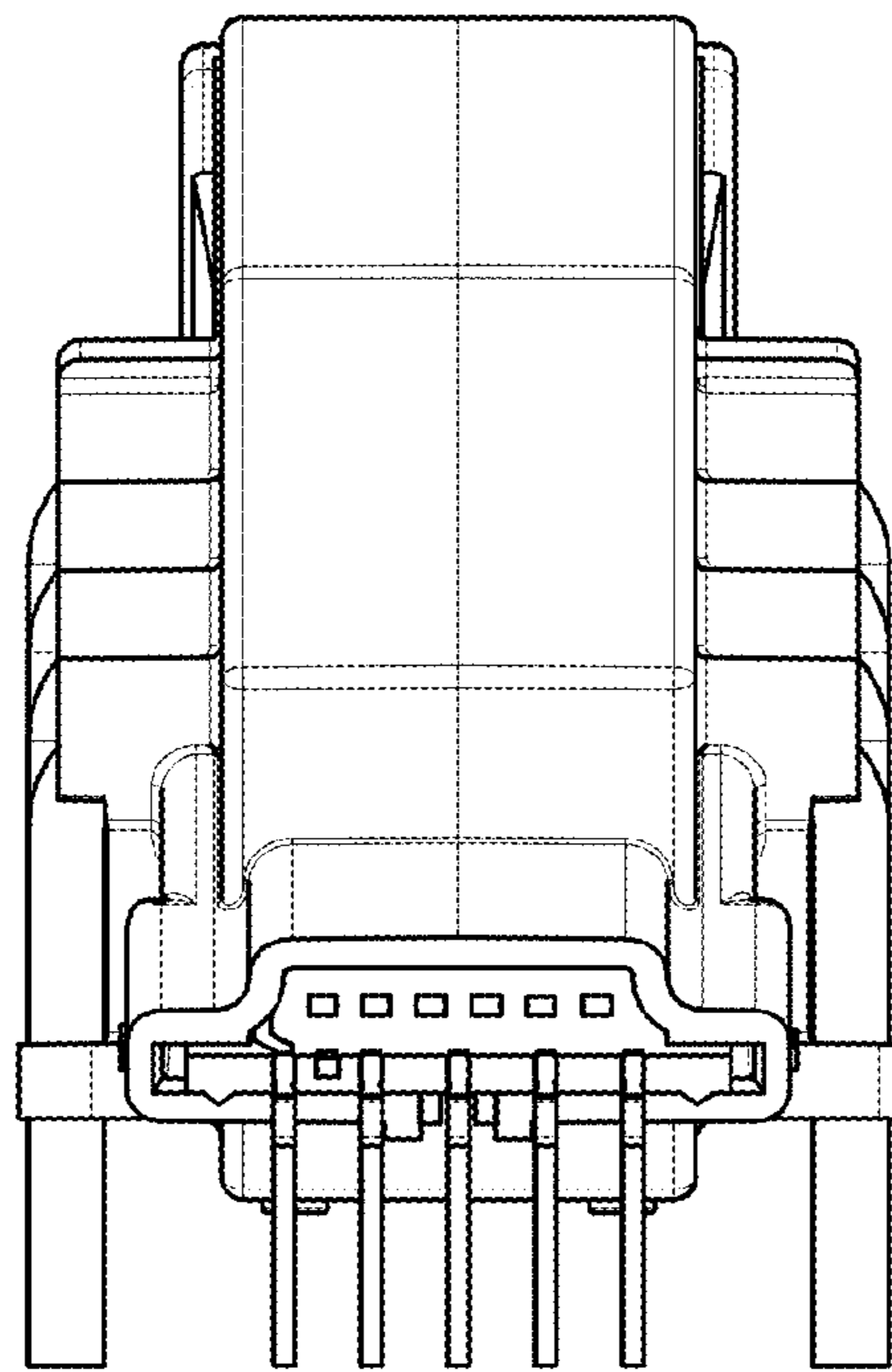


FIG. 5

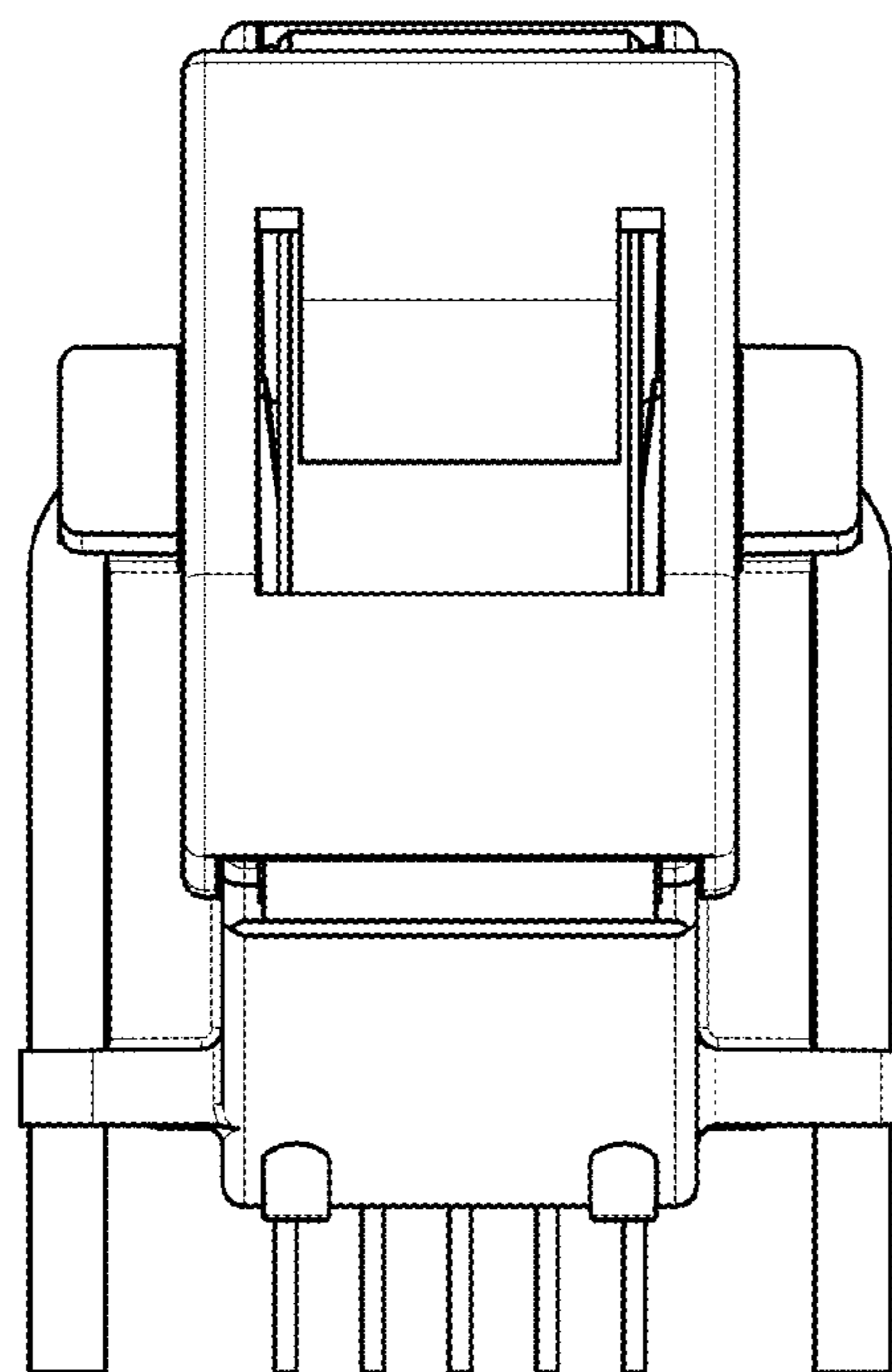


FIG. 6

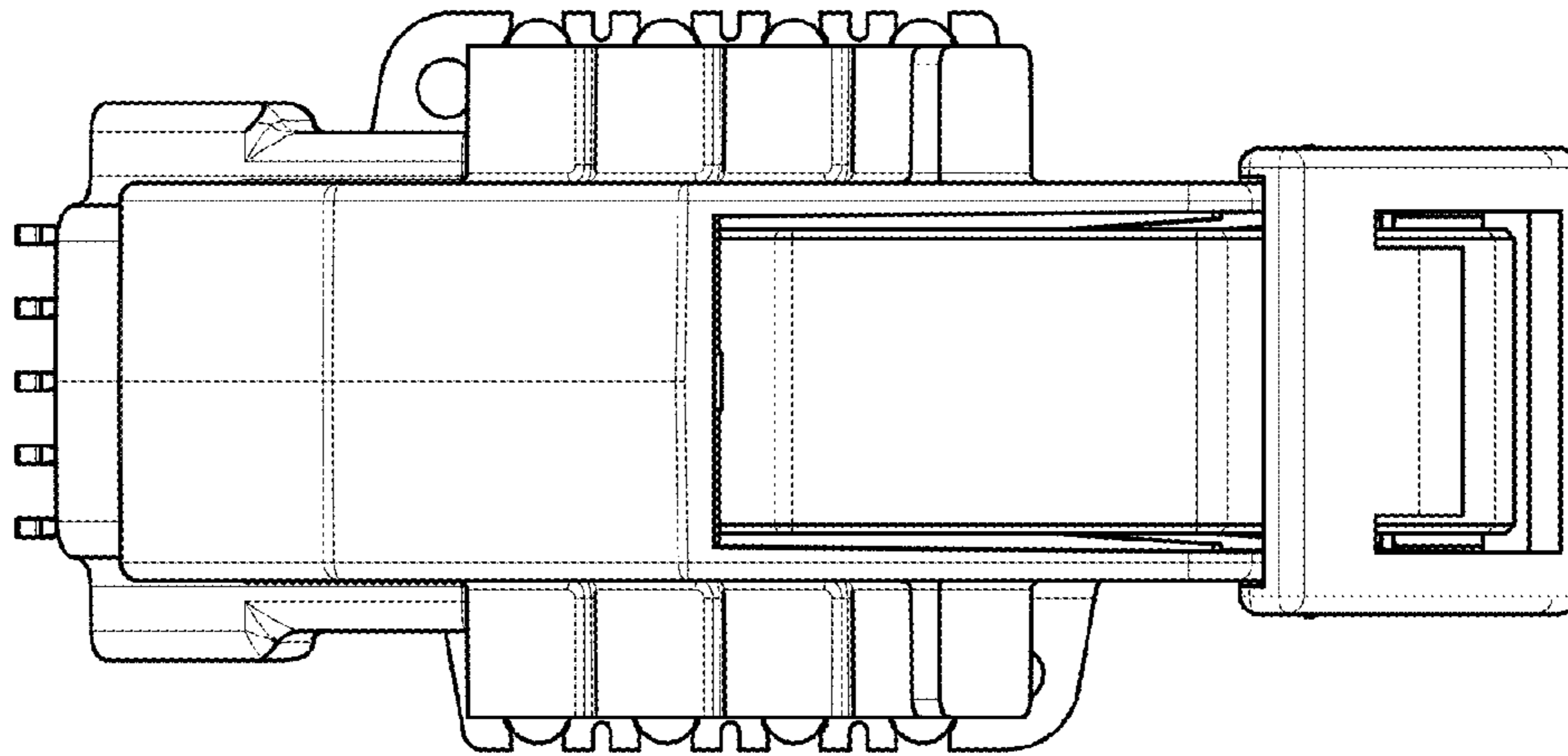


FIG. 7

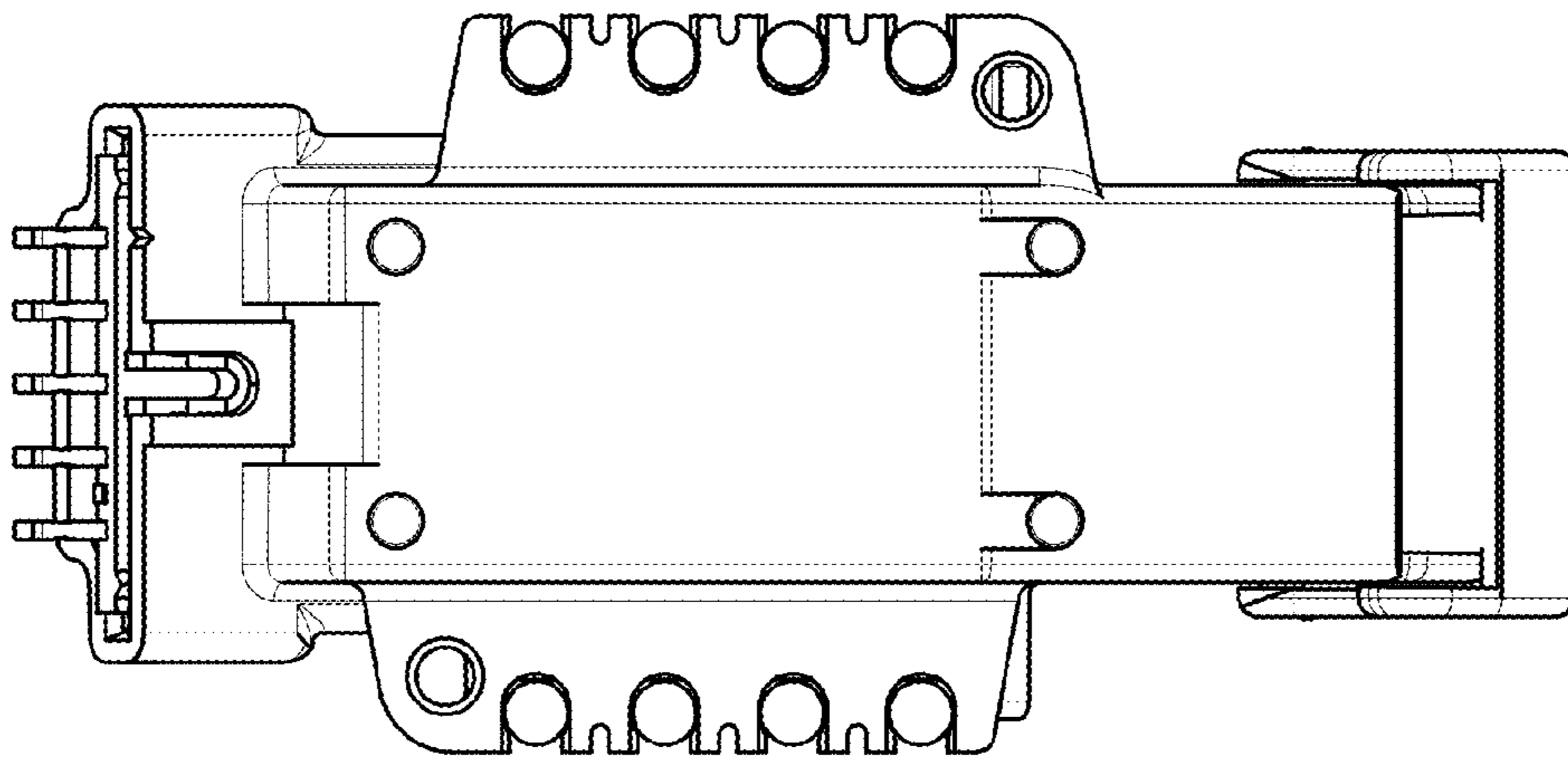


FIG. 8