



US00D766179S

(12) **United States Design Patent**
Polk

(10) **Patent No.:** **US D766,179 S**
(45) **Date of Patent:** **** Sep. 13, 2016**

(54) **PORTABLE MOBILE-DEVICE CHARGER
COMPATIBLE WITH A REMOVABLE SHELL**

(71) Applicant: **Shutterfly, Inc.**, Redwood City, CA
(US)

(72) Inventor: **Michael Lane Polk**, Mint Hill, NC
(US)

(73) Assignee: **Shutterfly, Inc.**, Redwood City, CA
(US)

(**) Term: **14 Years**

(21) Appl. No.: **29/504,595**

(22) Filed: **Oct. 7, 2014**

(51) **LOC (10) Cl.** **13-02**

(52) **U.S. Cl.**
USPC **D13/108**

(58) **Field of Classification Search**

USPC D13/102-110, 118-122, 133, 184, 199;
D14/251, 253, 432; 429/96-100, 163,
429/176; 320/107-115

CPC H01M 2/022; H01M 2/0202; H01M
2/0207; H01M 2/0212; H01M 2/1061;
H01M 2/1022; H01M 2/1055; H01M 2/1066;
H01M 2/105; H01M 2/204; H01M 10/4257;
H01M 10/0436; H01M 10/48; G06F 1/1601;
G06F 1/1643; H05K 5/0004; H05K 5/0017;
H05K 5/02; H05K 5/0217

See application file for complete search history.

(56) **References Cited**

U.S. PATENT DOCUMENTS

D630,163 S * 1/2011 Yeh D13/108
D639,731 S * 6/2011 Sun D13/103

D654,853 S * 2/2012 Bacon D13/103
D665,341 S * 8/2012 Chu D13/103
D678,261 S * 3/2013 Akana D14/250
D689,475 S * 9/2013 Andre D14/250
D703,633 S * 4/2014 Akana D14/138 R
D719,947 S * 12/2014 Kobayashi D14/250
D720,338 S * 12/2014 Nousiainen D14/248
D722,043 S * 2/2015 Requa D13/108
D728,469 S * 5/2015 Castelli D13/103
D733,043 S * 6/2015 Hasbrook D13/103
9,190,639 B2 * 11/2015 Kim H01M 2/1022

* cited by examiner

Primary Examiner — Karen S Acker

Assistant Examiner — Carmen Arellano-Lado

(74) *Attorney, Agent, or Firm* — Xin Wen

(57) **CLAIM**

The ornamental design for a portable mobile-device charger compatible with a removable shell, as shown and described.

DESCRIPTION

FIG. 1 is a perspective view of the portable mobile-device charger compatible with a removable shell showing my new design with the shell that is not included in the claim shown removed;

FIG. 2 is a perspective view showing the shell partially removed to illustrate the design in a position of use;

FIG. 3 is a top plan view of the portable mobile-device charger compatible with a removable shell;

FIG. 4 is a bottom view thereof;

FIG. 5 is a rear elevational view thereof;

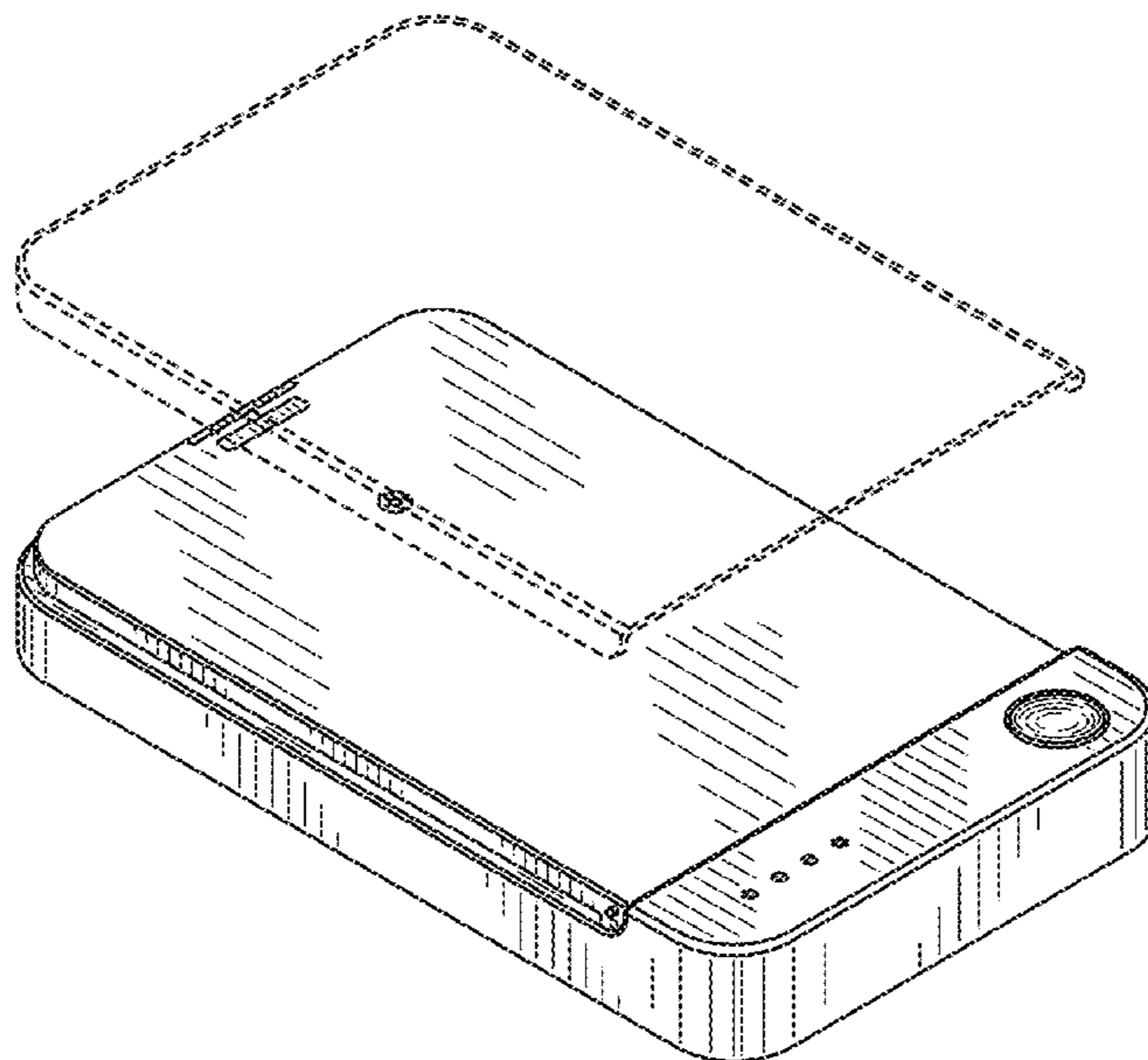
FIG. 6 is a front elevational view thereof;

FIG. 7 is a left side elevational view thereof; and,

FIG. 8 is a right side elevational view thereof.

The broken lines in the drawings depict portions of the article that are not included in the claim.

1 Claim, 8 Drawing Sheets



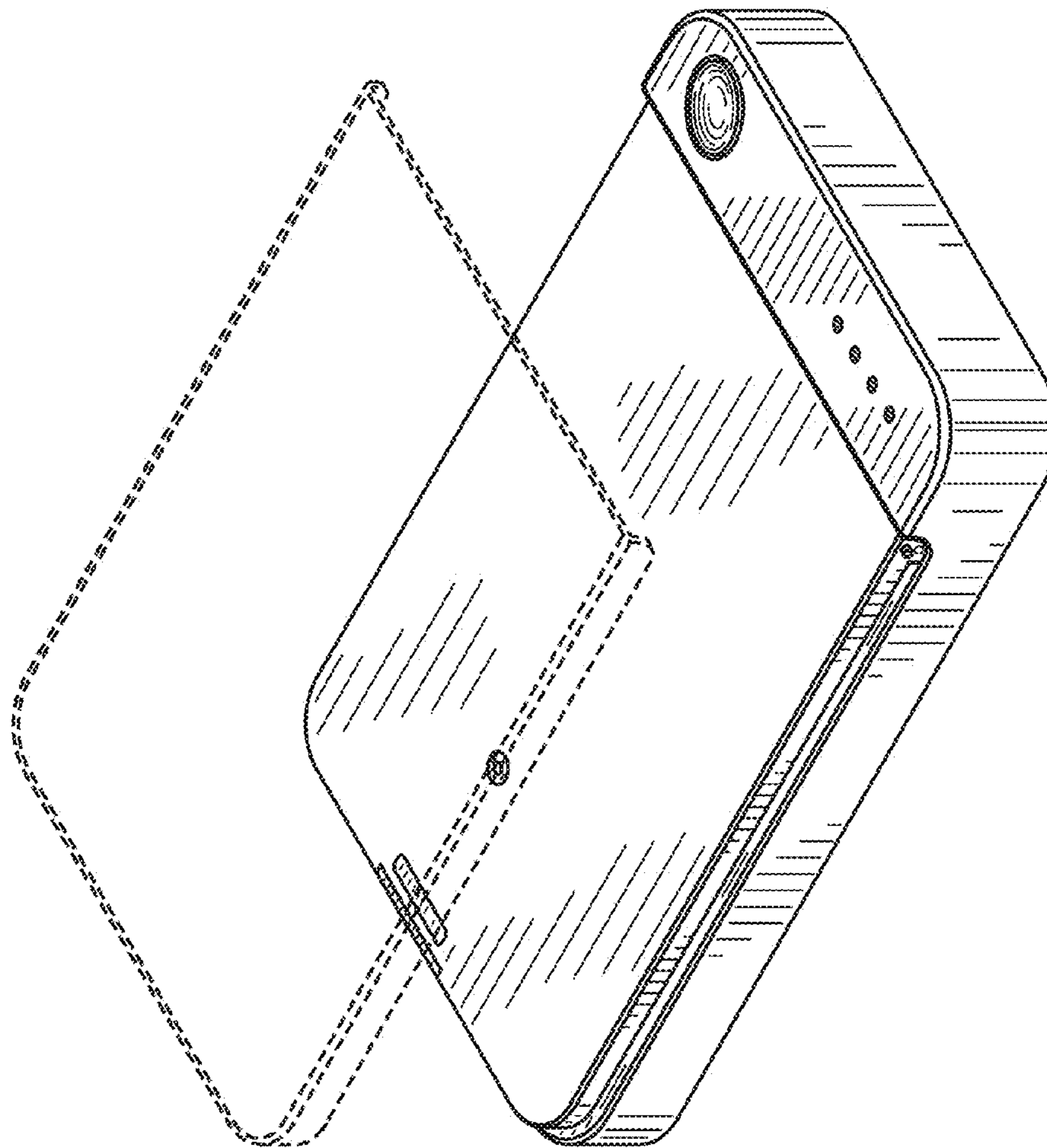


FIG. 1

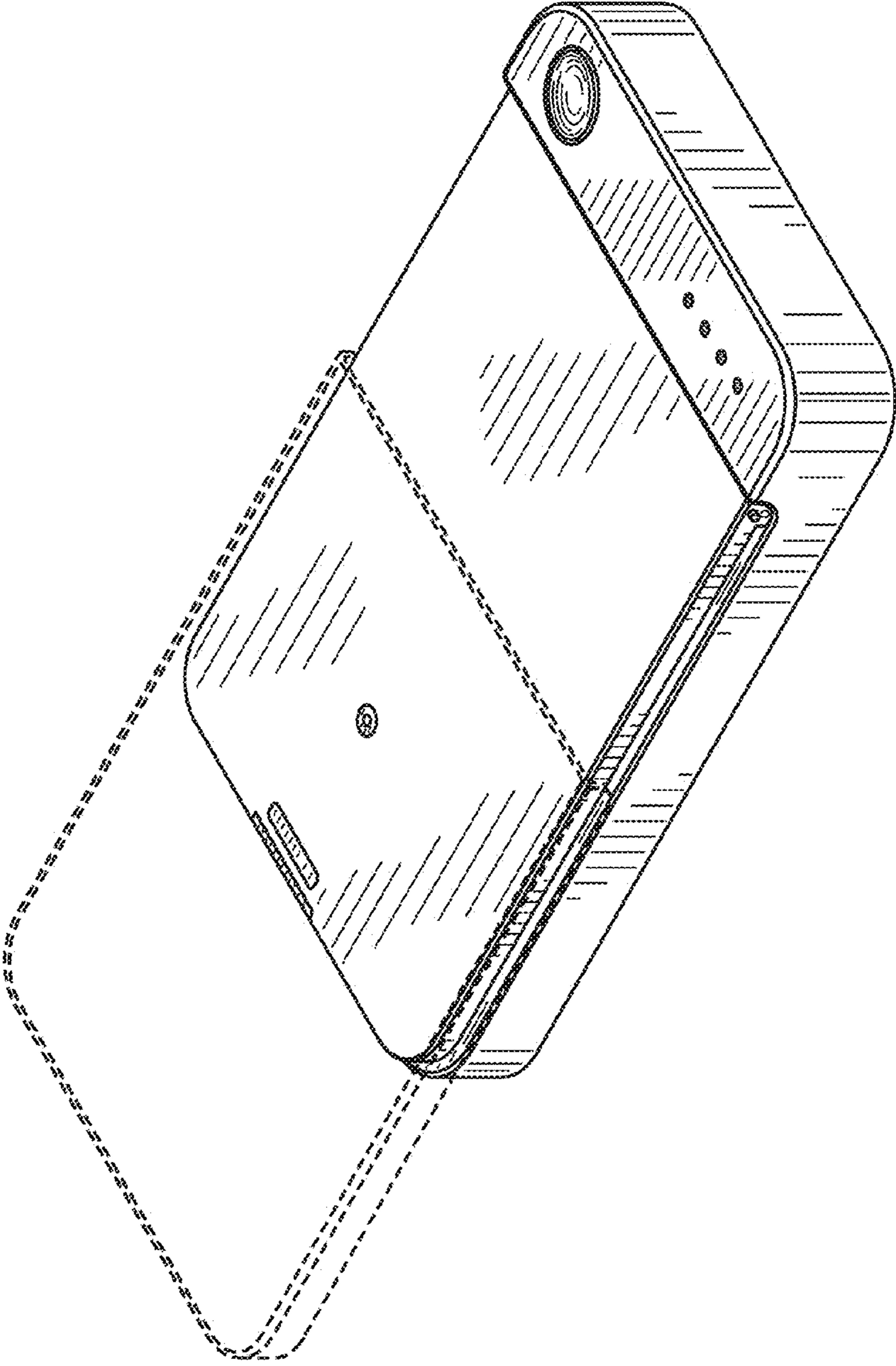


FIG. 2

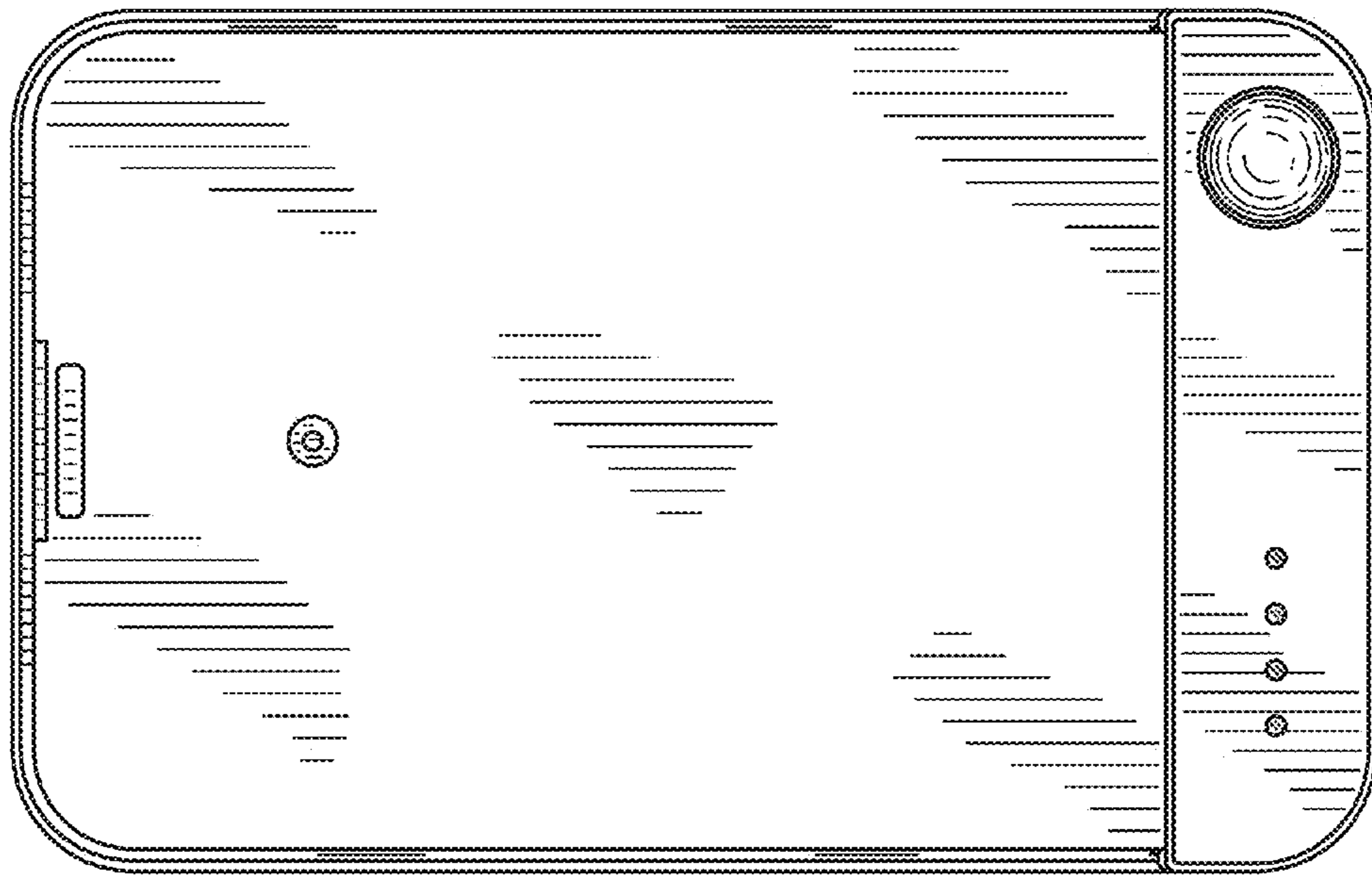


FIG. 3

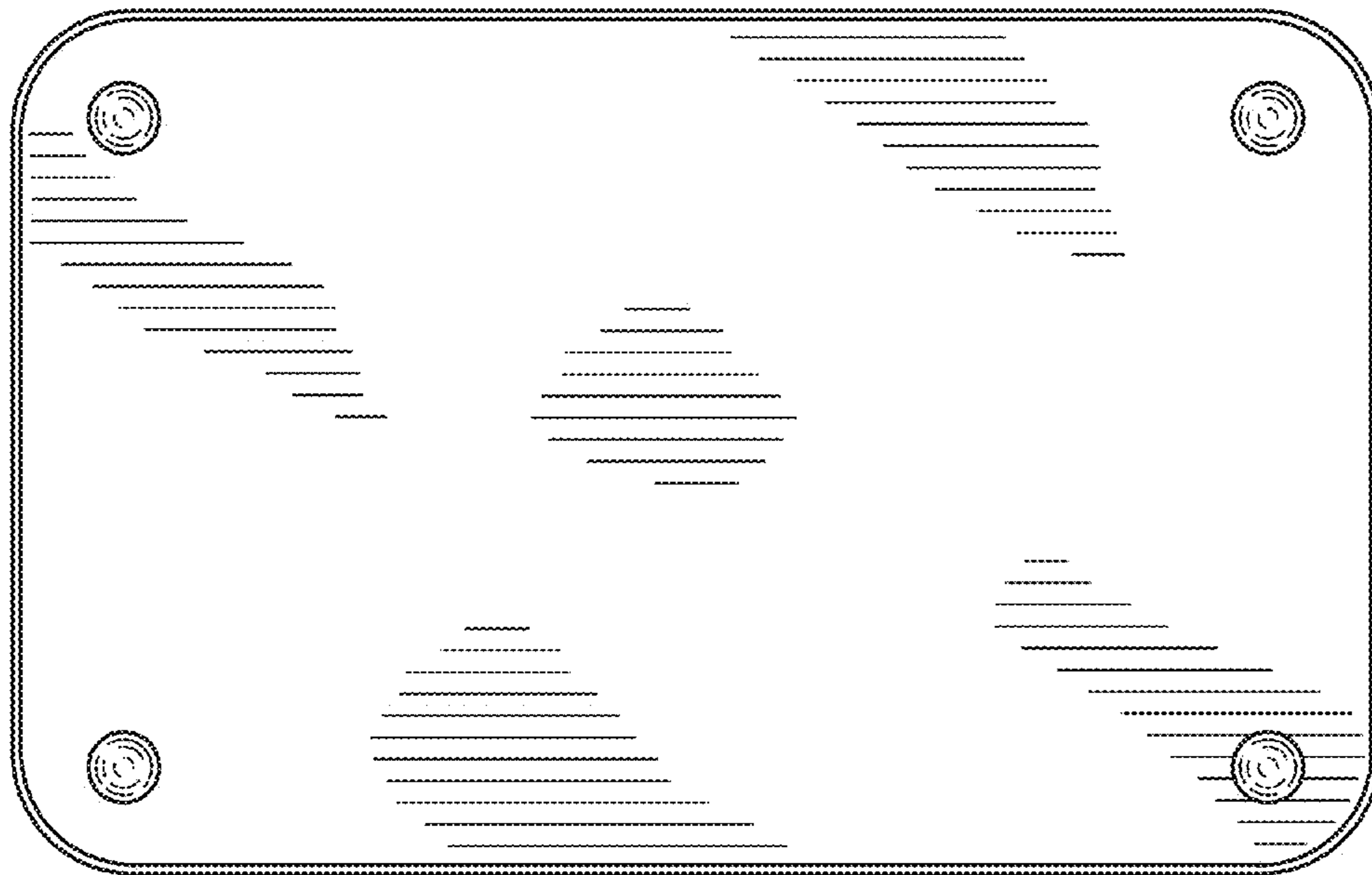


FIG. 4

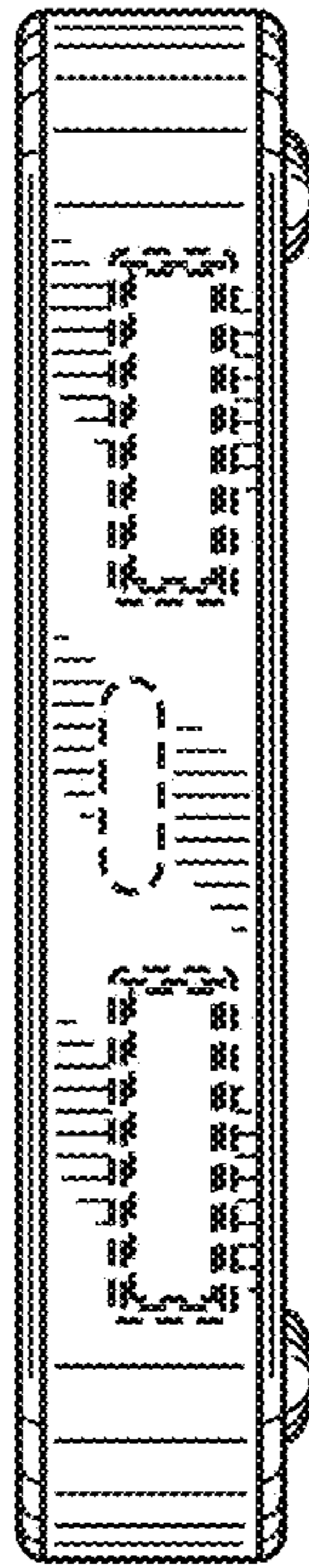


FIG. 5

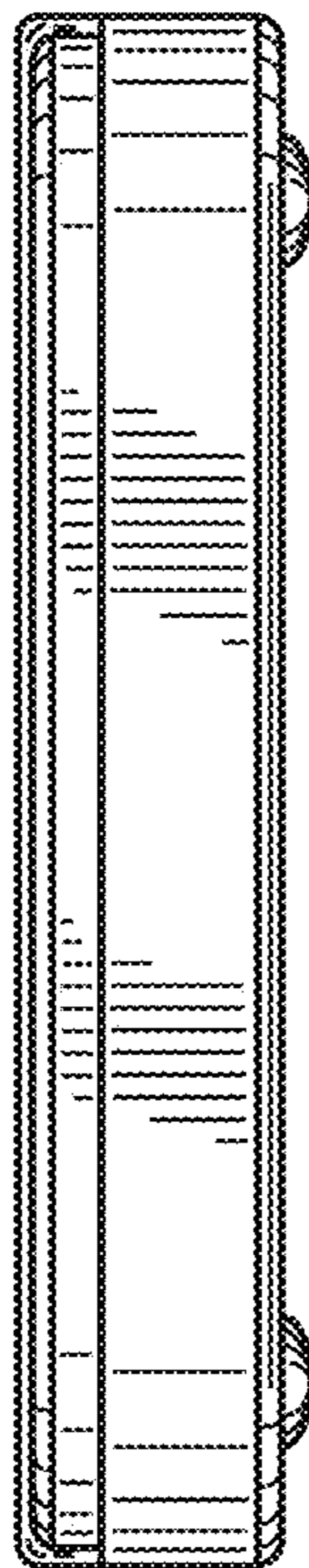


FIG. 6

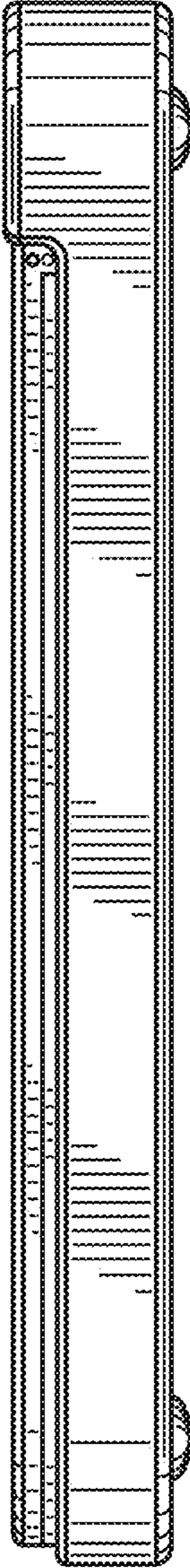


FIG. 7

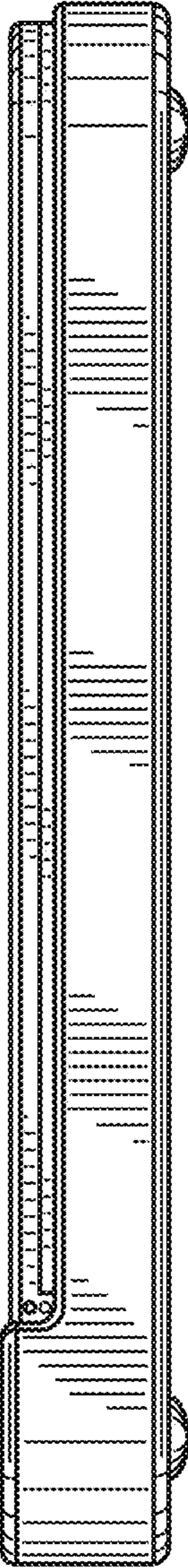


FIG. 8