



US00D766178S

(12) **United States Design Patent** (10) **Patent No.:** **US D766,178 S**
Esses (45) **Date of Patent:** **** Sep. 13, 2016**

- (54) **CHARGING DEVICE**
- (71) Applicant: **Premier Accessory Group LLC**,
Edison, NJ (US)
- (72) Inventor: **Alfred Esses**, Brooklyn, NY (US)
- (73) Assignee: **Premier Accessory Group LLC**,
Edison, NJ (US)
- (**) Term: **15 Years**
- (21) Appl. No.: **29/564,172**
- (22) Filed: **May 11, 2016**

- D368,328 S * 3/1996 Wacker D28/85
- D435,242 S 12/2000 Yoshida
- D494,541 S 8/2004 Hriscu et al.
- D501,279 S * 1/2005 Dittmer D28/85
- D525,201 S * 7/2006 Navarrez D13/107
- D575,729 S * 8/2008 Nomi D13/107
- D579,880 S * 11/2008 Birmingham D13/133
- D594,817 S 6/2009 Abdallah et al.
- 7,713,073 B2 5/2010 Lin
- D624,495 S 9/2010 Shm et al.
- D644,108 S * 8/2011 Vila Calvo D9/529
- D657,310 S * 4/2012 Fahrendorff D13/110
- D660,798 S * 5/2012 Tseng D13/110
- D661,248 S * 6/2012 Fahrendorff D13/107
- D665,734 S * 8/2012 Fitch D13/107
- D670,249 S 11/2012 Inskeep
- D677,623 S * 3/2013 Fitch D13/108

(Continued)

Related U.S. Application Data

- (63) Continuation-in-part of application No. 29/551,617,
filed on Jan. 14, 2016.
- (51) **LOC (10) Cl.** **13-02**
- (52) **U.S. Cl.**
USPC **D13/107**
- (58) **Field of Classification Search**
USPC D13/107-110, 118-119, 133, 144, 184;
D14/155, 251, 253, 432, 434; D28/85
CPC Y02E 60/12; Y02T 90/14; Y02T 90/122;
Y02T 90/128; Y02T 90/163; H02J 7/025;
H02J 7/0042; H02J 7/0044; H02J 7/0045;
H02J 7/0003; H02J 7/0054; H02J 7/0055;
H02J 7/0057; H01F 38/14; H01M 2/1022;
H01M 2/1055; H01M 10/44; H01M 10/46;
H01M 10/425; H01R 13/70; H01R 13/71;
H01R 13/66; H01R 13/6675; H01R 2201/26;
H05K 11/02; B60L 11/182
See application file for complete search history.

Primary Examiner — Rosemary K Tarcza
Assistant Examiner — Nathaniel D Buckner
 (74) *Attorney, Agent, or Firm* — Gottlieb, Rackman &
 Reisman, P.C.

(57) **CLAIM**

The ornamental design for a charging device, as shown and described.

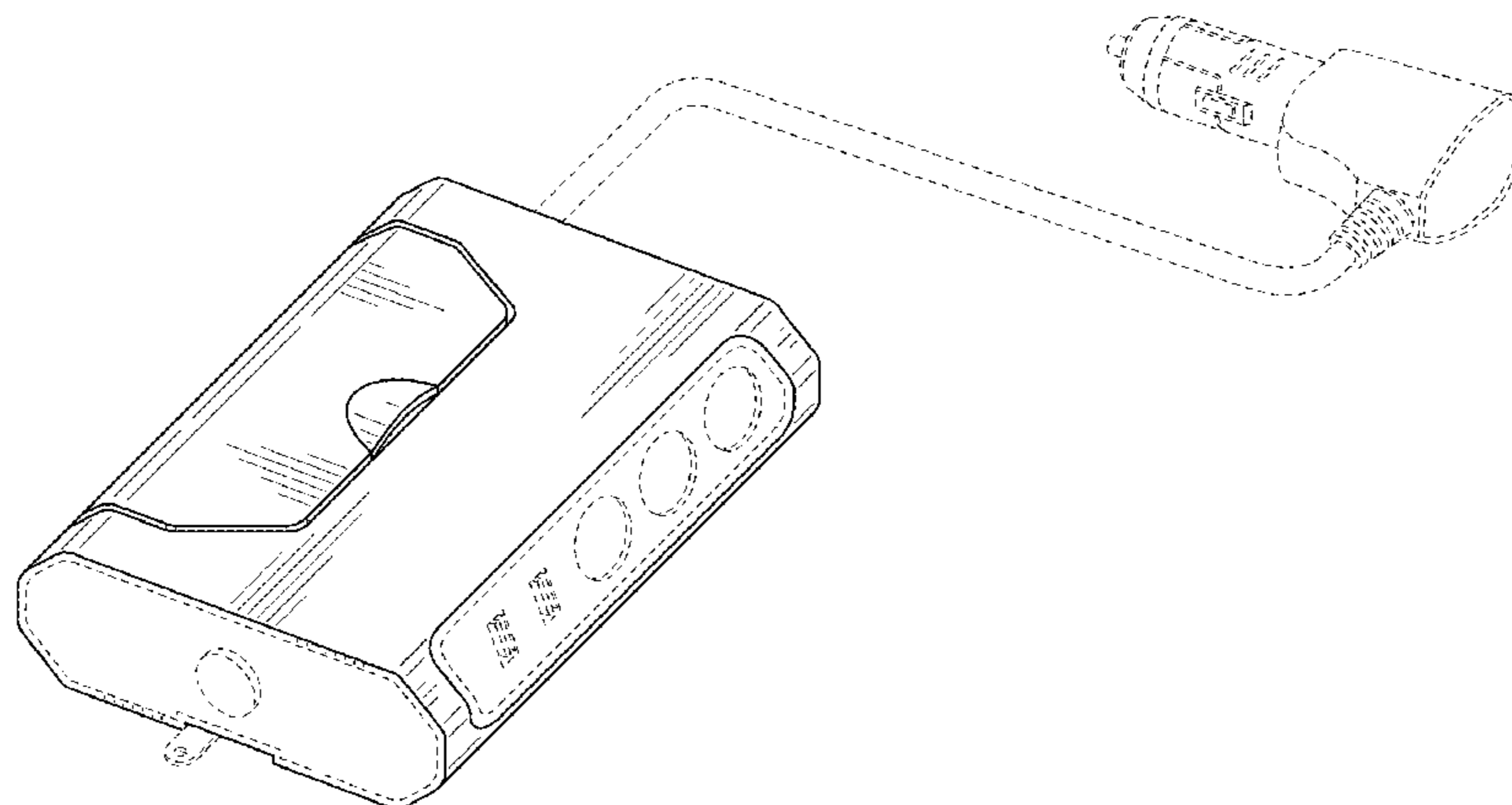
DESCRIPTION

FIG. 1 is a first perspective view of a charging device showing my new design;
 FIG. 2 is a top view thereof;
 FIG. 3 is a bottom view thereof;
 FIG. 4 is a first side view thereof;
 FIG. 5 is a second side view thereof;
 FIG. 6 is a front view thereof;
 FIG. 7 is a rear view thereof; and,
 FIG. 8 is a second perspective view thereof.
 The broken lines shown in the drawings are included for the purpose of illustrating portions of the article that form no part of the claimed design.

(56) **References Cited**
U.S. PATENT DOCUMENTS

- D262,152 S * 12/1981 Holloway D28/85
- D297,518 S * 9/1988 Yuen D10/106.1

1 Claim, 6 Drawing Sheets



US D766,178 S

Page 2

(56)

References Cited

U.S. PATENT DOCUMENTS

D679,451 S * 4/2013 Dittmer D28/85
D693,768 S 11/2013 Alesi et al.
D701,838 S * 4/2014 Esses D13/108
D704,639 S 5/2014 Alesi et al.

D728,471 S * 5/2015 Alesi D13/110
D732,023 S * 6/2015 Asao D14/358
D738,302 S * 9/2015 Jeong D13/108
D740,751 S * 10/2015 Akana D13/110
D746,227 S * 12/2015 Lemire-Elmore D13/107
D747,544 S * 1/2016 Taha D27/163
D749,506 S * 2/2016 Morgan D13/108

* cited by examiner

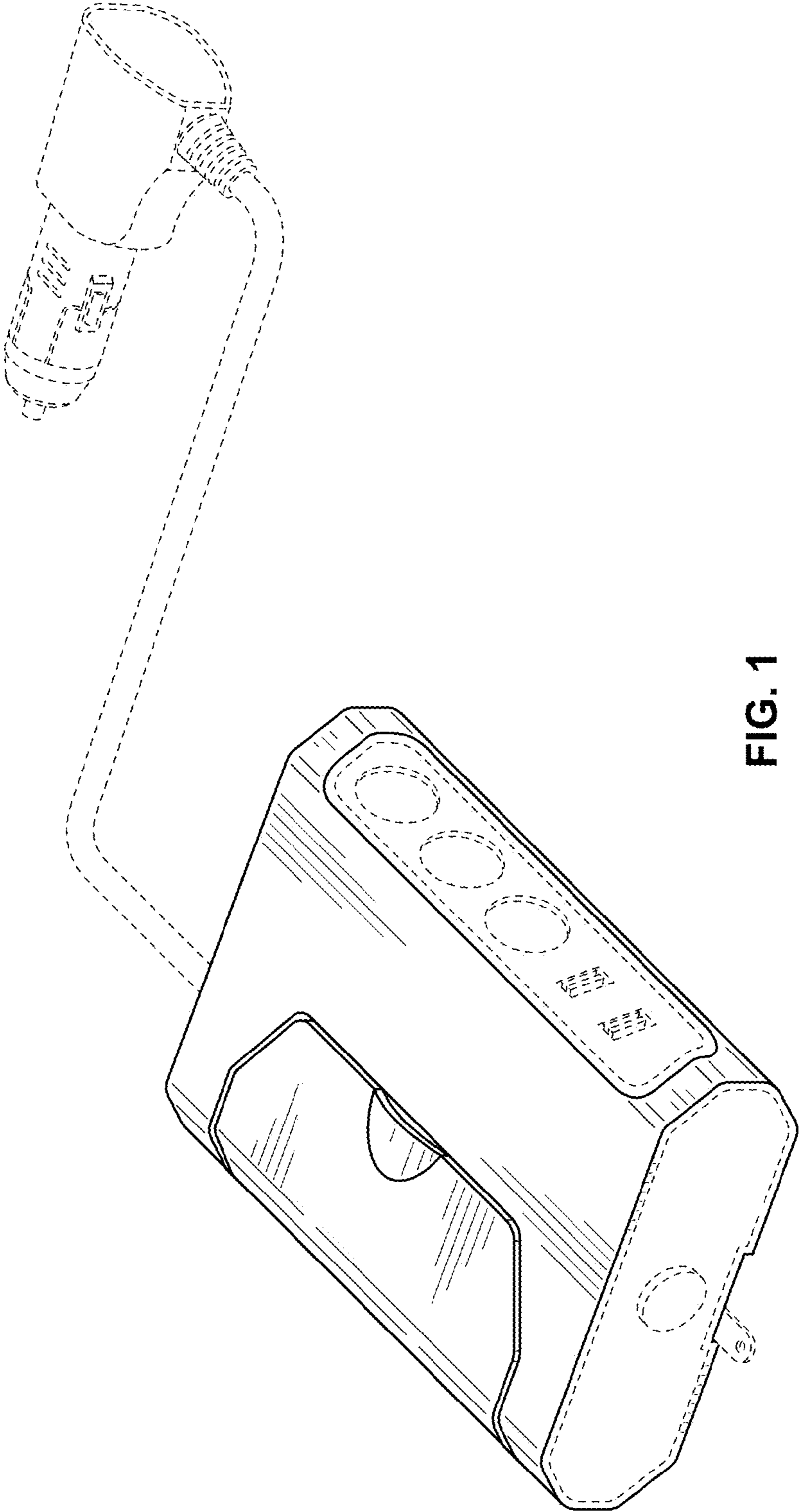


FIG. 1

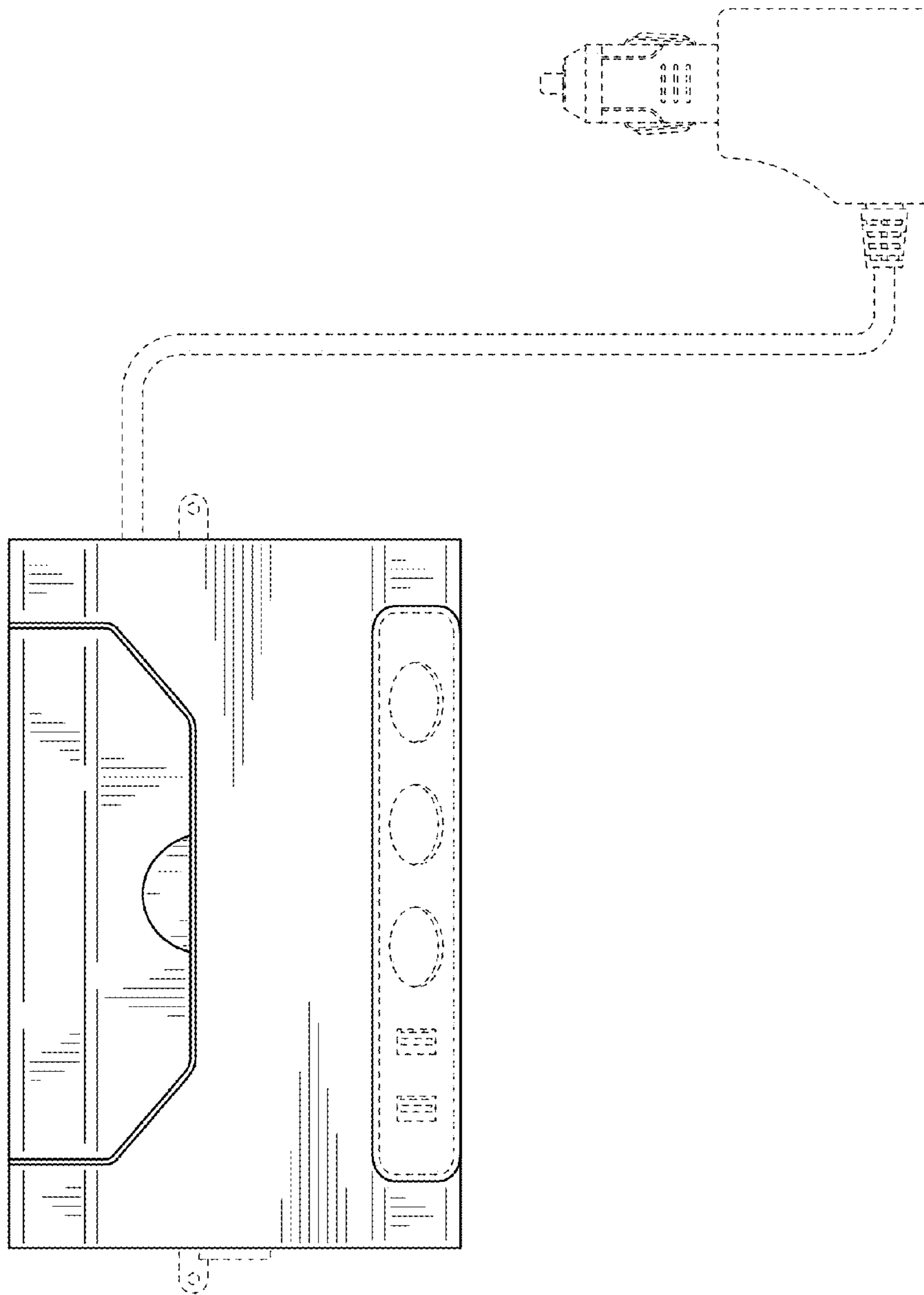


FIG. 2

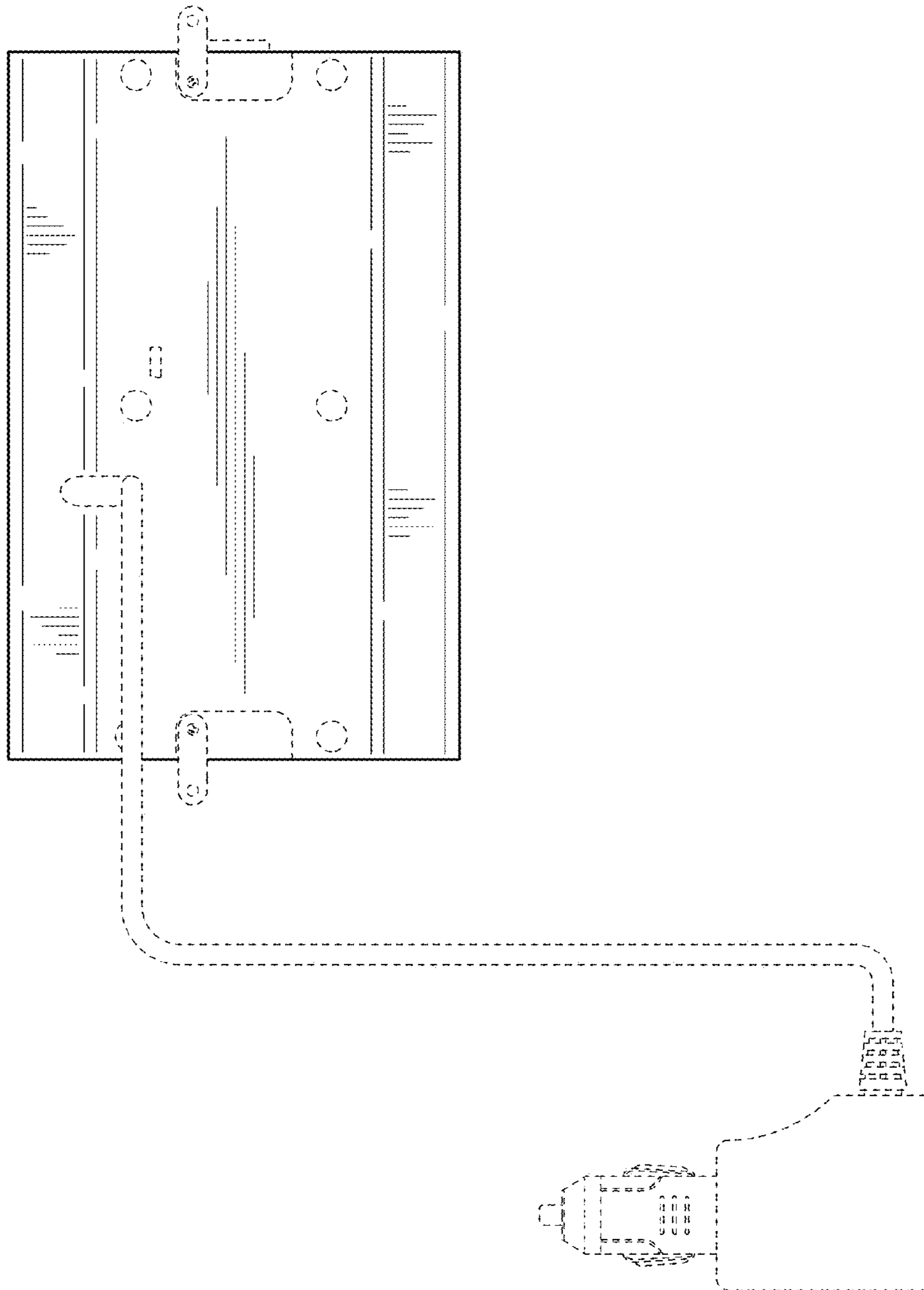


FIG. 3

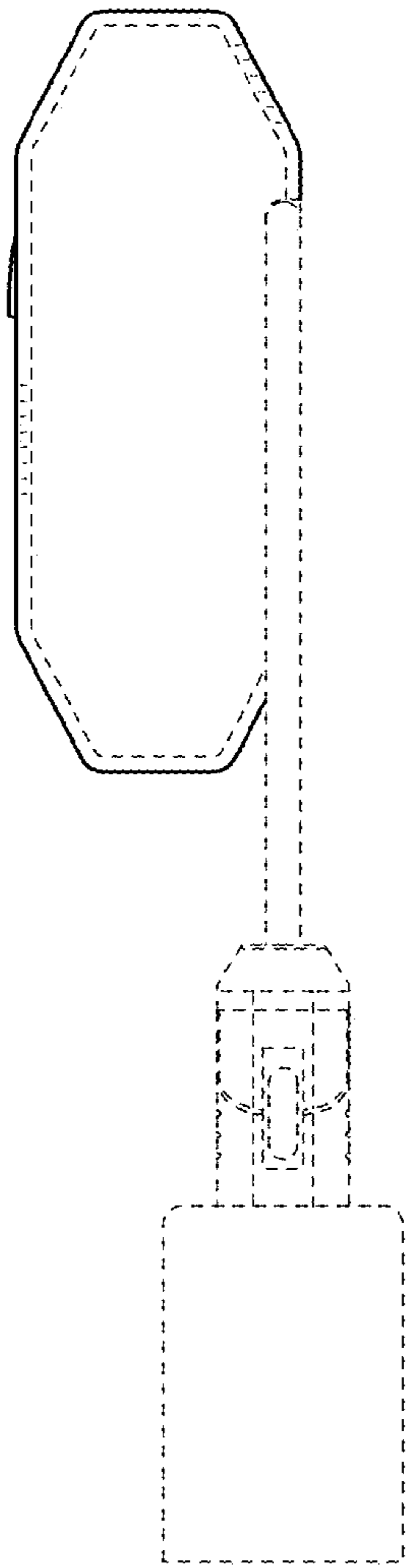


FIG. 4

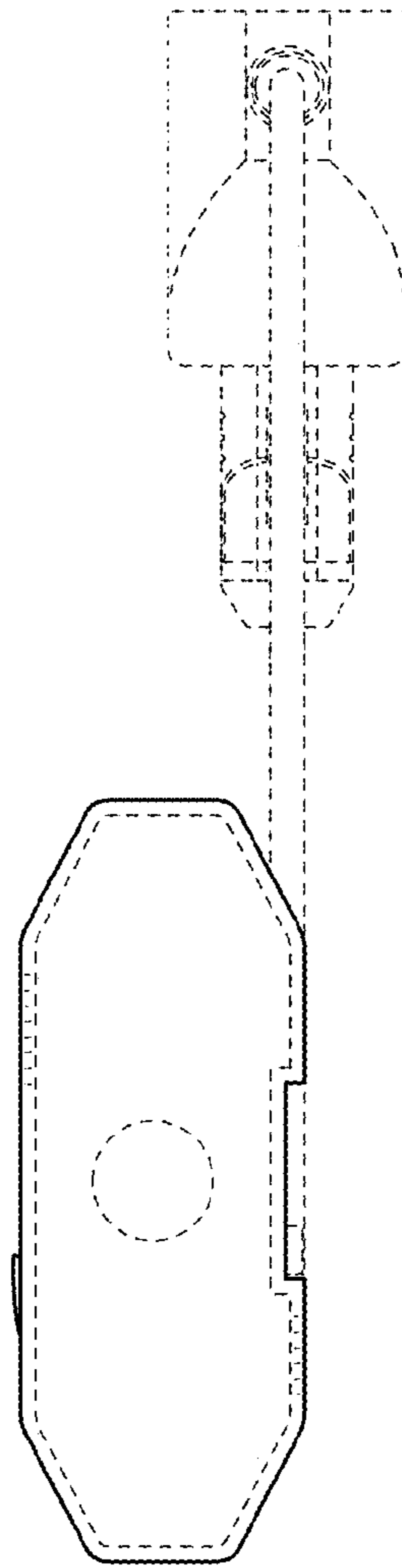


FIG. 5

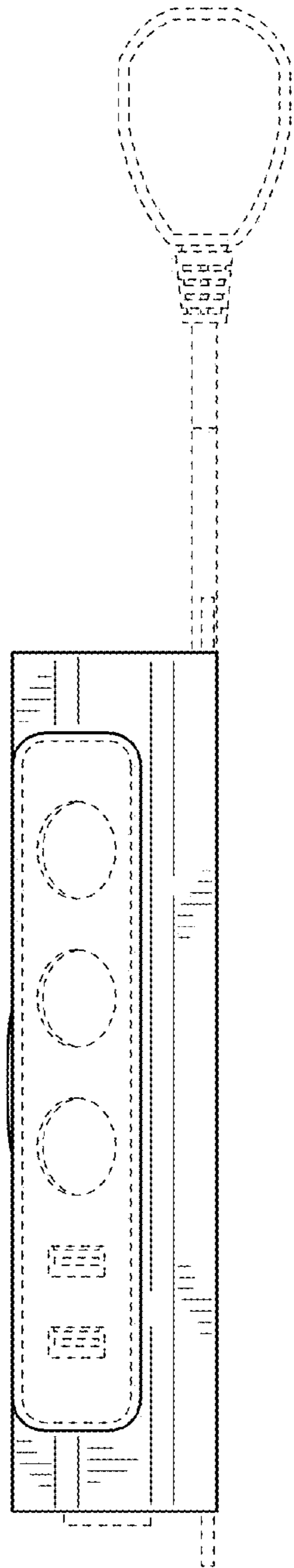


FIG. 6

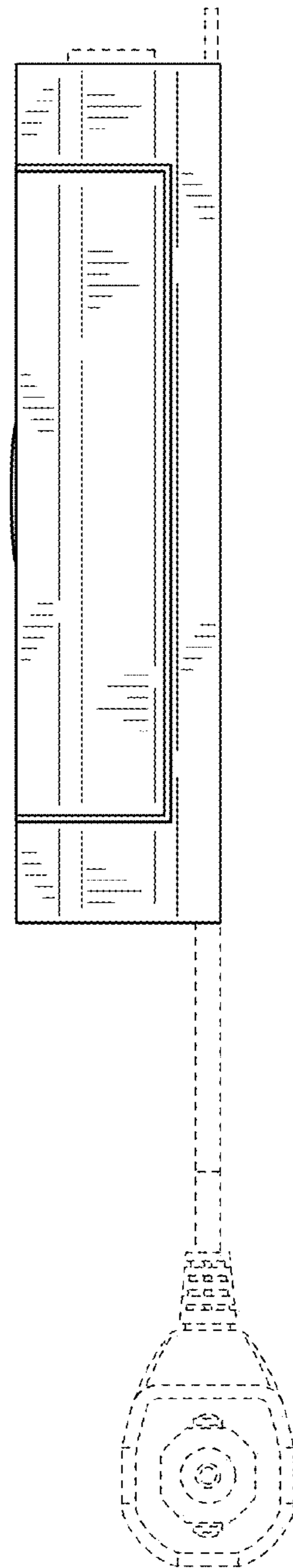


FIG. 7

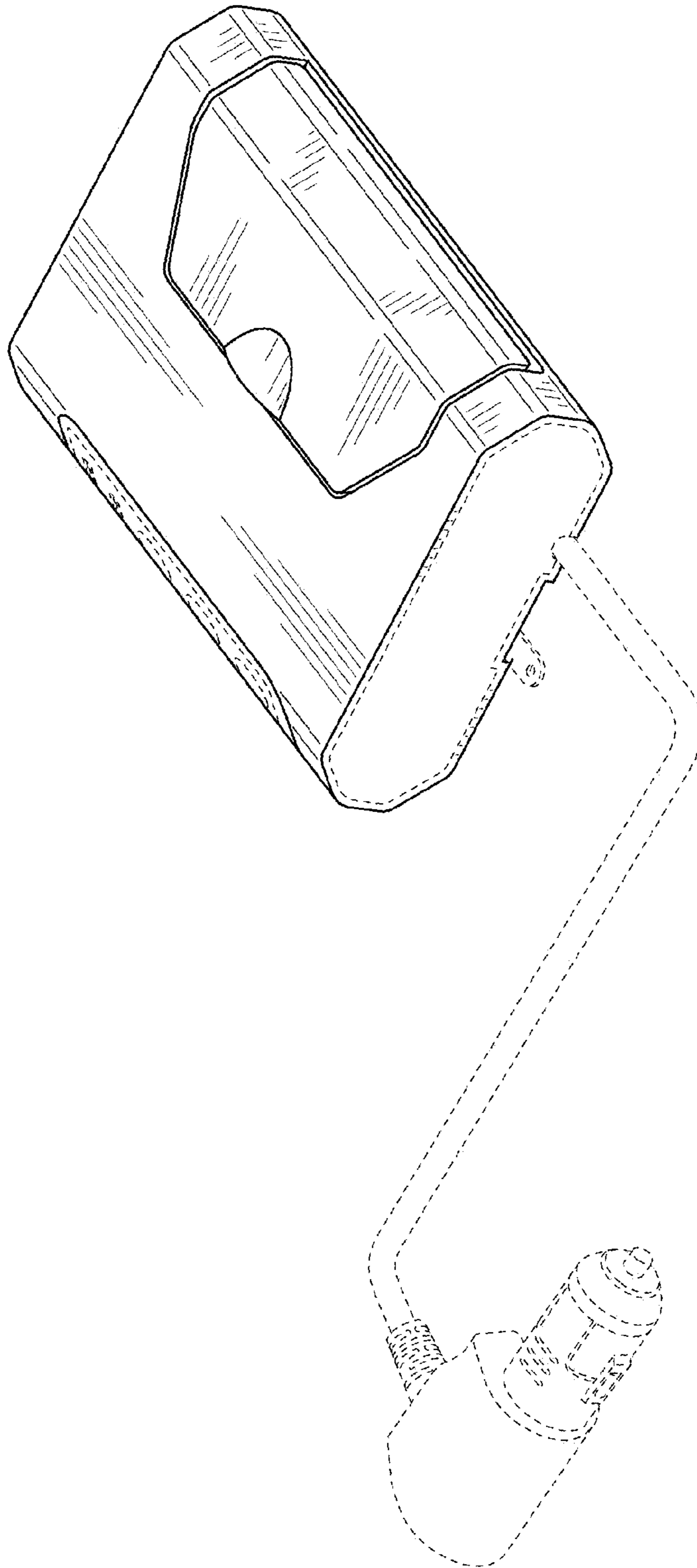


FIG. 8