



US00D766175S

(12) **United States Design Patent**
Tsiopanos et al.

(10) **Patent No.:** **US D766,175 S**
(45) **Date of Patent:** **** Sep. 13, 2016**

(54) **MOBILE COMPUTER BATTERY**

(71) Applicant: **SYMBOL TECHNOLOGIES, LLC**,
Lincolnshire, IL (US)

(72) Inventors: **Konstantinos Tsiopanos**, Selden, NY
(US); **Jaeho Choi**, Whitestone, NY
(US)

(73) Assignee: **Symbol Technologies, LLC**, Holtsville,
NY (US)

(**) Term: **15 Years**

(21) Appl. No.: **29/533,690**

(22) Filed: **Jul. 21, 2015**

(51) **LOC (10) Cl.** **13-02**

(52) **U.S. Cl.**
USPC **D13/103**

(58) **Field of Classification Search**
USPC D13/102–110, 118–119, 184, 199;
D14/356, 432; 320/103, 111–115, 135,
320/138, 140

CPC Y02E 60/10; Y02E 60/12; Y02E 60/122;
Y02E 60/124; Y02E 60/50; H01M 2/02;
H01M 2/20; H01M 2/022; H01M 2/0202;
H01M 2/0207; H01M 2/0212; H01M 2/1061;
H01M 2/1022; H01M 2/1055; H01M 2/1066;
H01M 2/105; H01M 2/204; H01M 2/202;
H01M 2/206; H01M 10/4257; H01M
10/0436; H01M 10/48; H01M 10/44; H01M
10/46; H01M 10/465; H01M 10/482; H01M
2200/30; H01M 2250/30; H01M 2250/40;
H02J 7/00; H02J 7/0003; H02J 7/0011;
H02J 7/0013; H02J 7/0054; H02J 7/0055;
H02J 7/0057; H02J 2007/0062

See application file for complete search history.

(56) **References Cited**

U.S. PATENT DOCUMENTS

D328,888	S	*	8/1992	Zhu	D13/103
D335,277	S	*	5/1993	Hattori	D13/103
D363,055	S	*	10/1995	Kobayashi	D13/103
D528,071	S	*	9/2006	Croley	D13/103
D581,866	S	*	12/2008	Choi	D13/103
D733,648	S	*	7/2015	Bianco	D13/107
2009/0229842	A1	*	9/2009	Gray	H01M 2/1055 173/20
2013/0196203	A1	*	8/2013	Wackwitz	B25F 5/00 429/96

* cited by examiner

Primary Examiner — Rosemary K Tarca

Assistant Examiner — Christy Nemeth

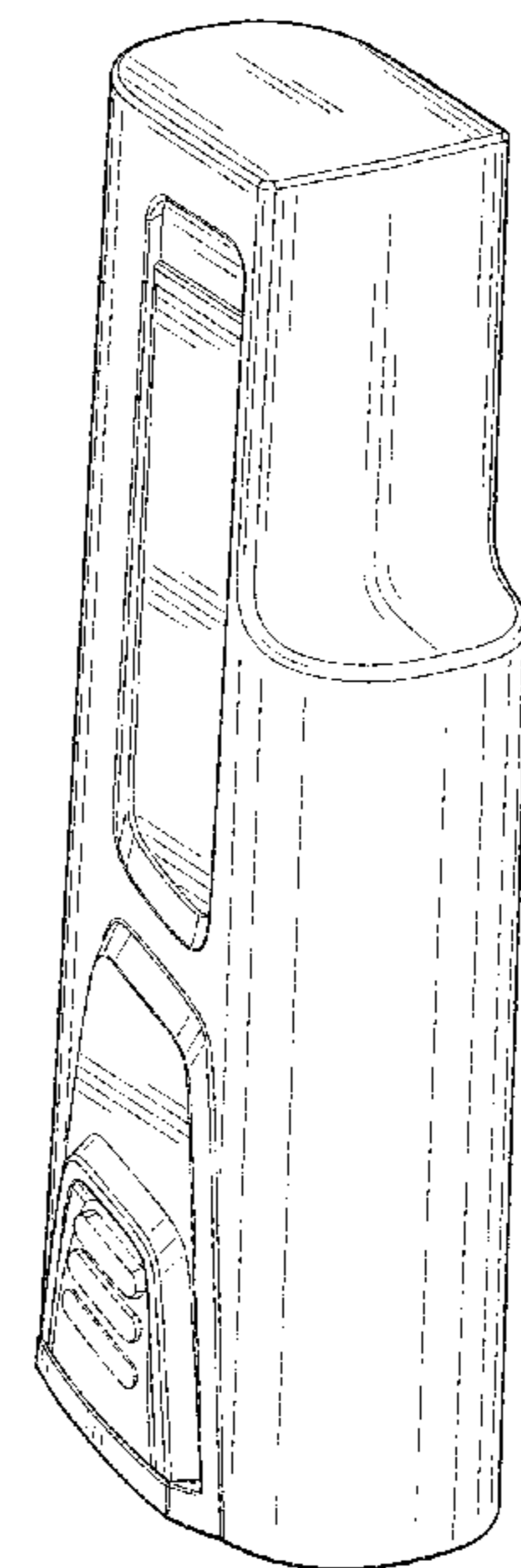
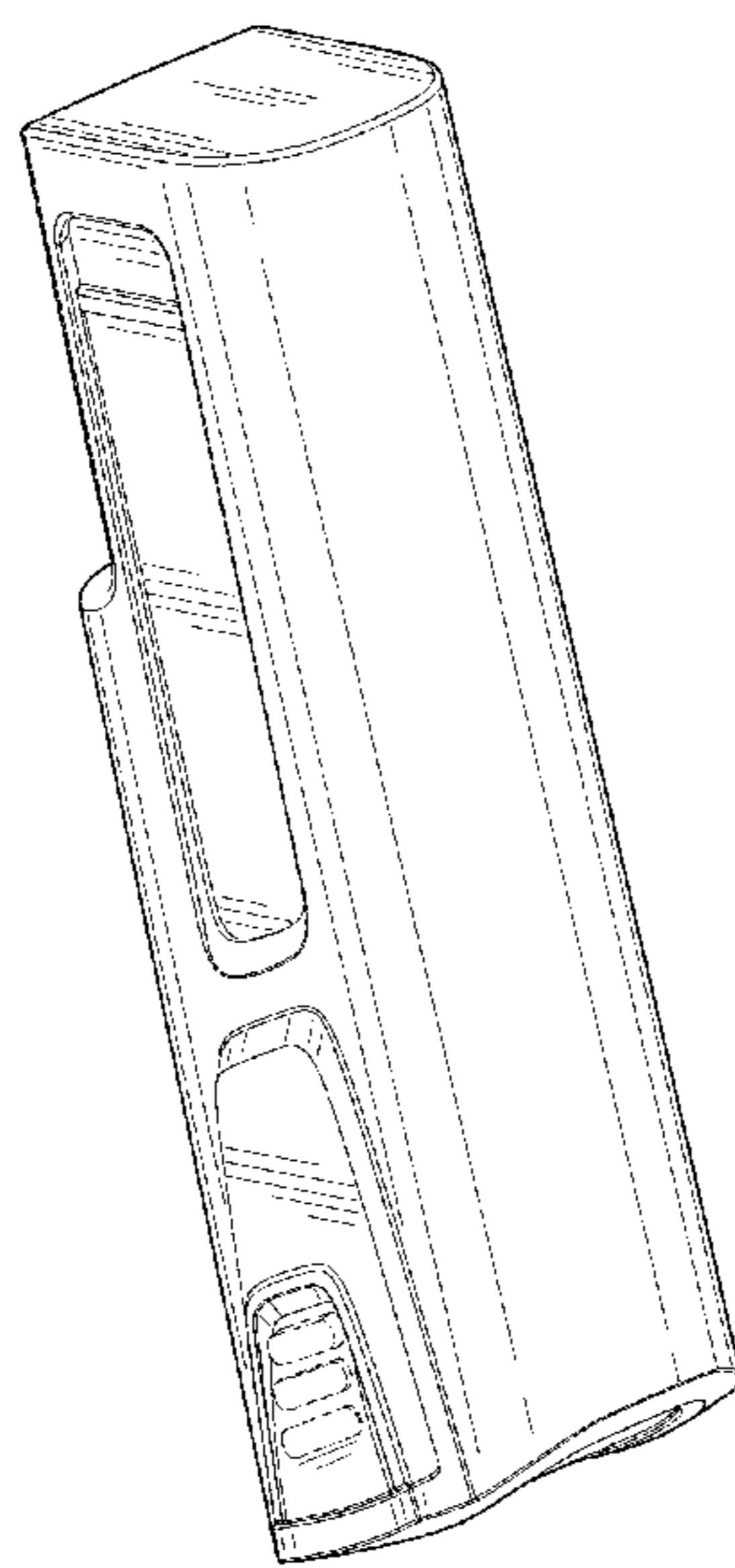
(57) **CLAIM**

The ornamental design for a mobile computer battery, as shown and described.

DESCRIPTION

FIG. 1 is a rear perspective view of an ornamental design for a mobile computer battery;
FIG. 2 is a front perspective view thereof;
FIG. 3 is a left side view thereof;
FIG. 4 is a right side view thereof;
FIG. 5 is a front view thereof;
FIG. 6 is a rear view thereof;
FIG. 7 is a bottom view thereof; and,
FIG. 8 is a top view thereof.
The broken lines in the drawings illustrate portions of the mobile computer battery which form no part of the claimed design.

1 Claim, 5 Drawing Sheets



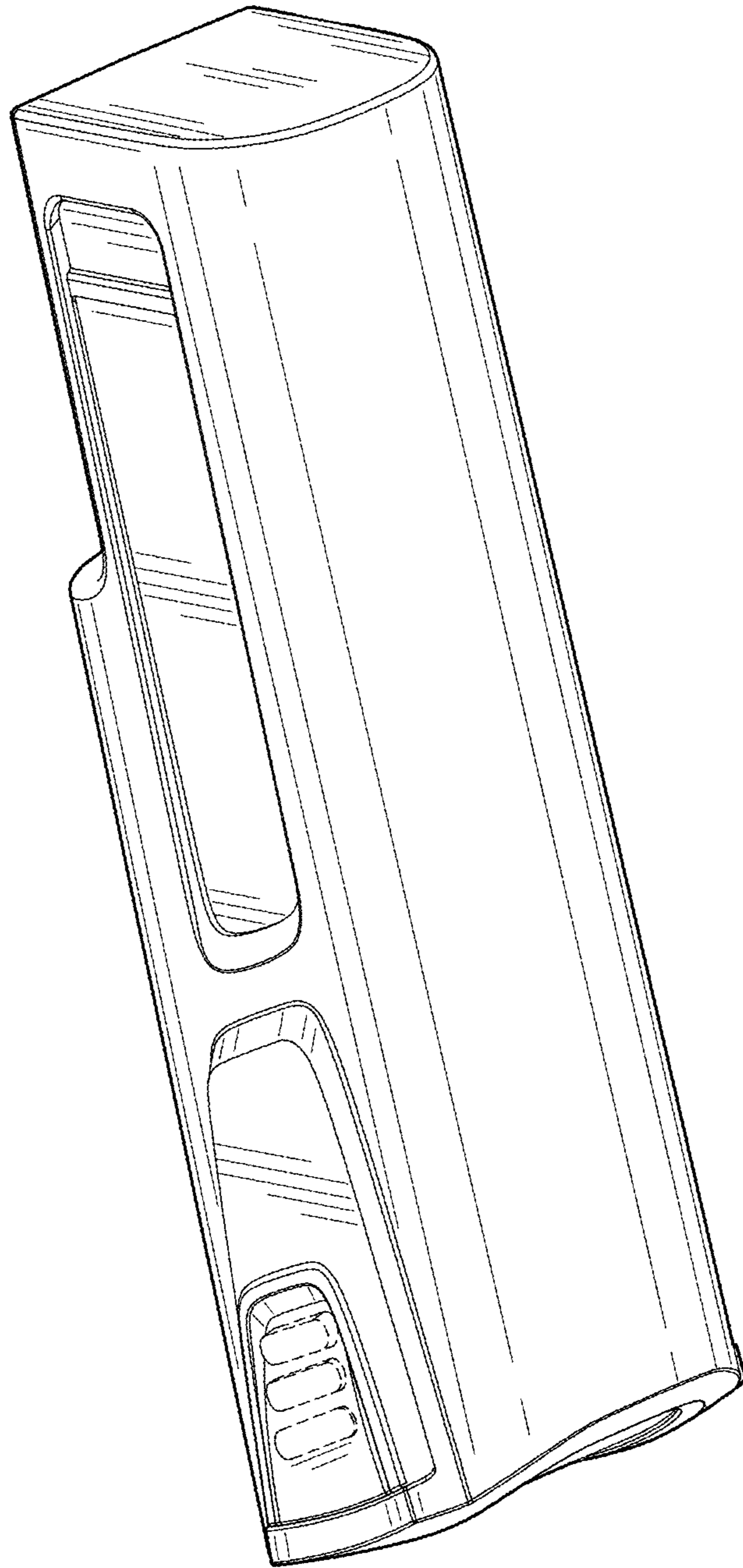


FIG. 1

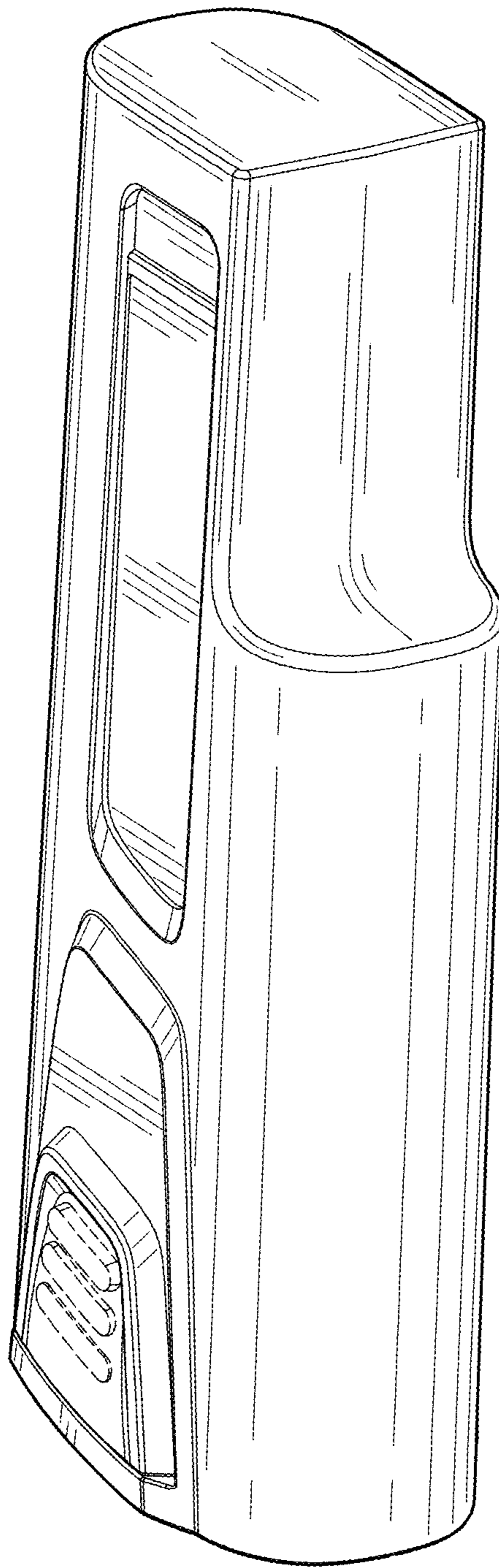


FIG. 2

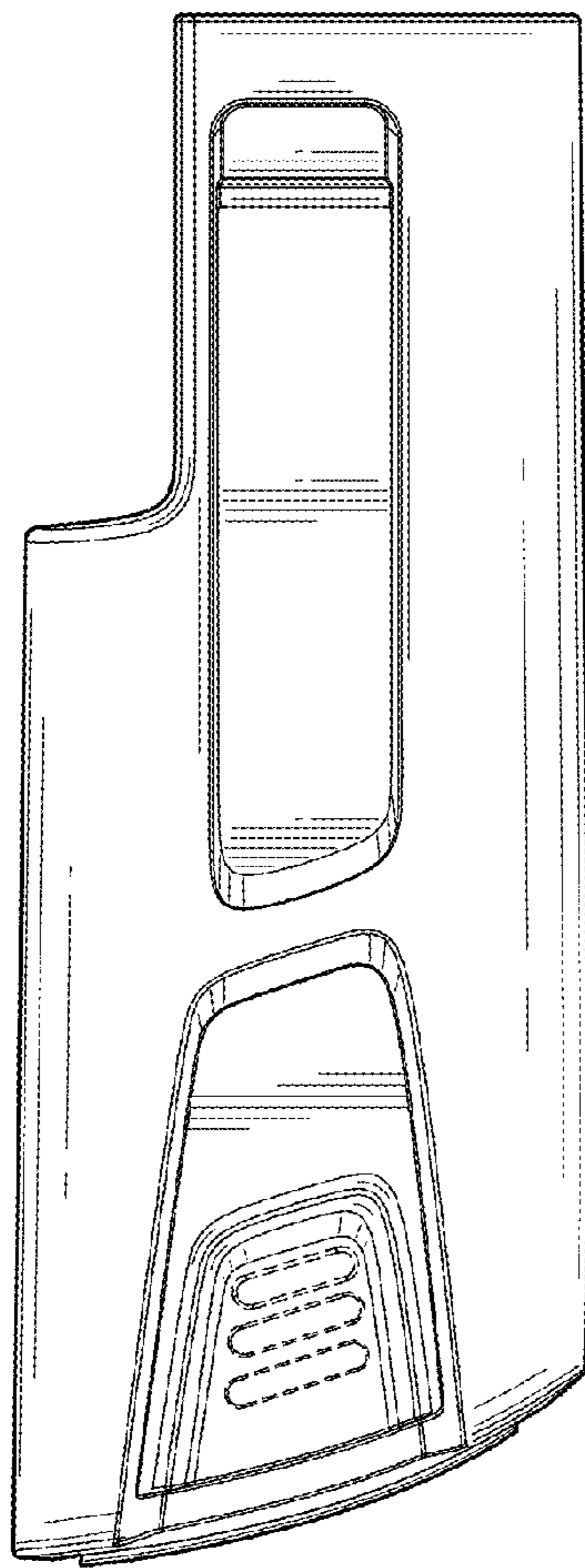


FIG. 3

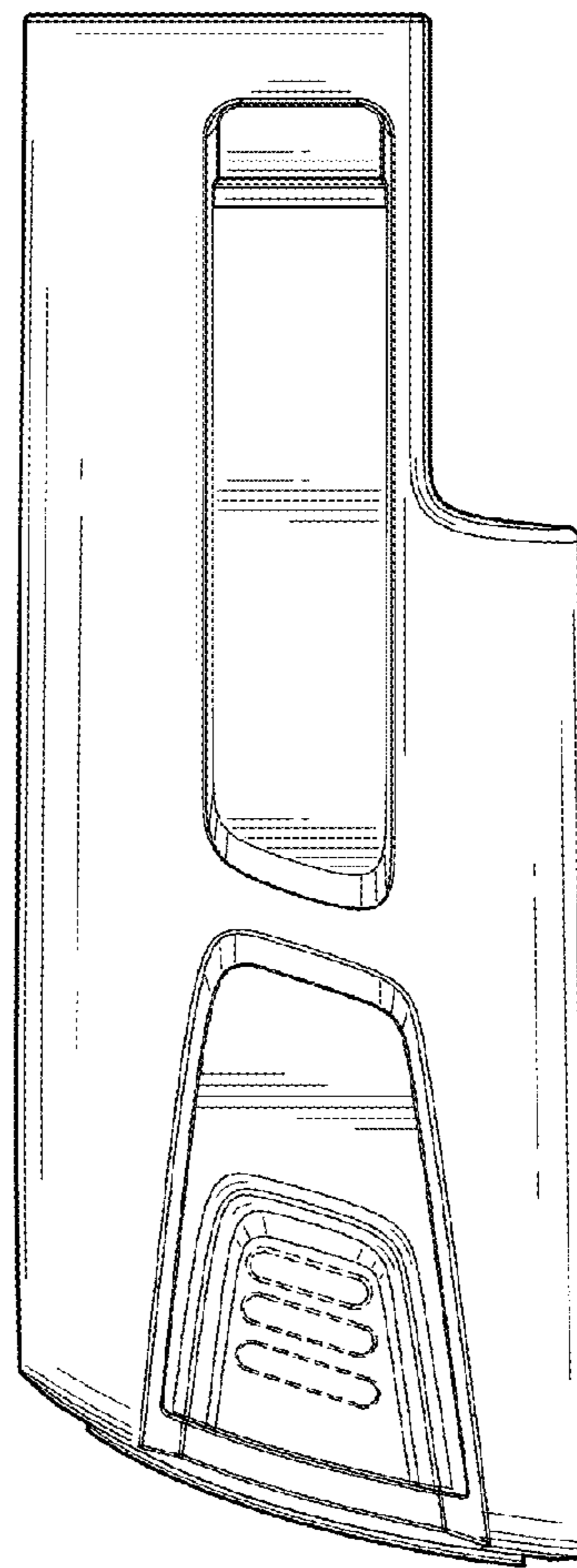


FIG. 4

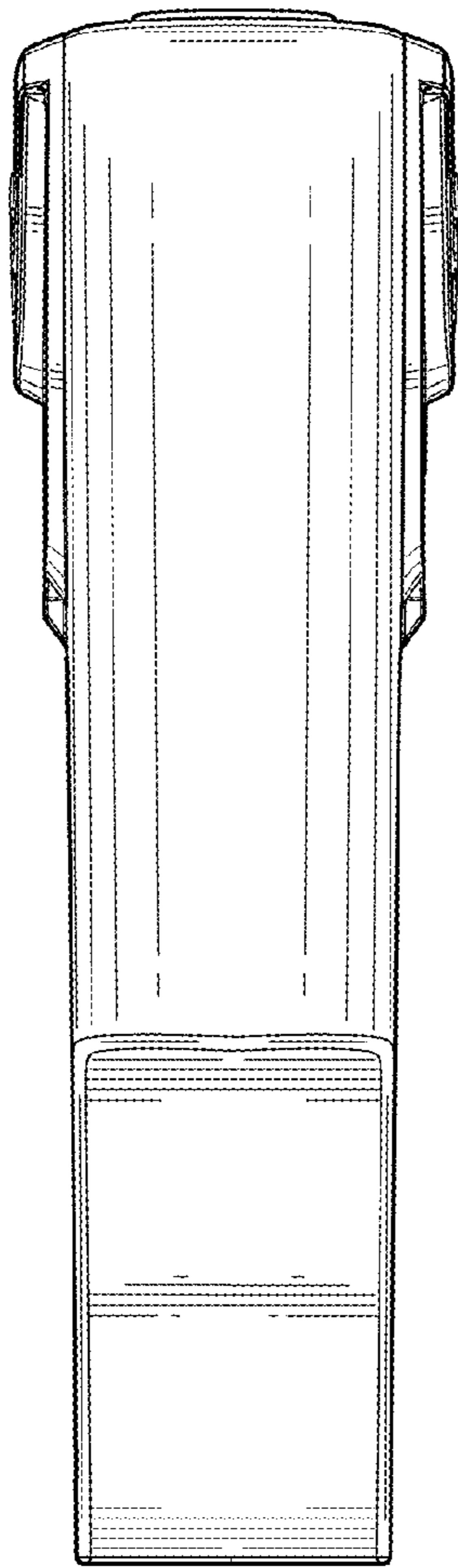


FIG. 5

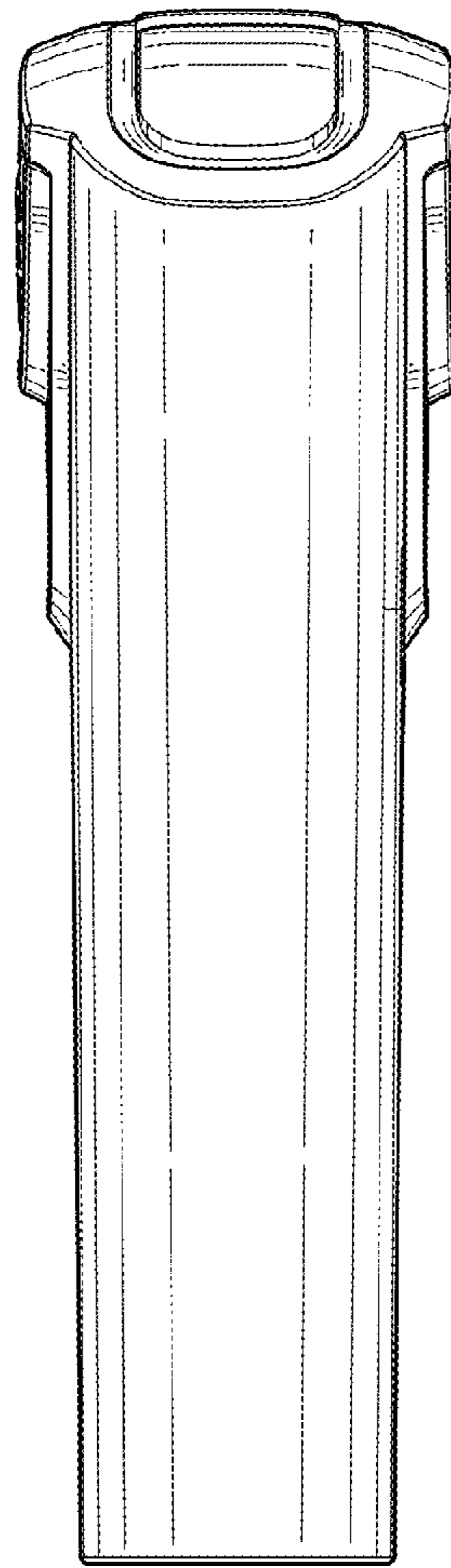


FIG. 6

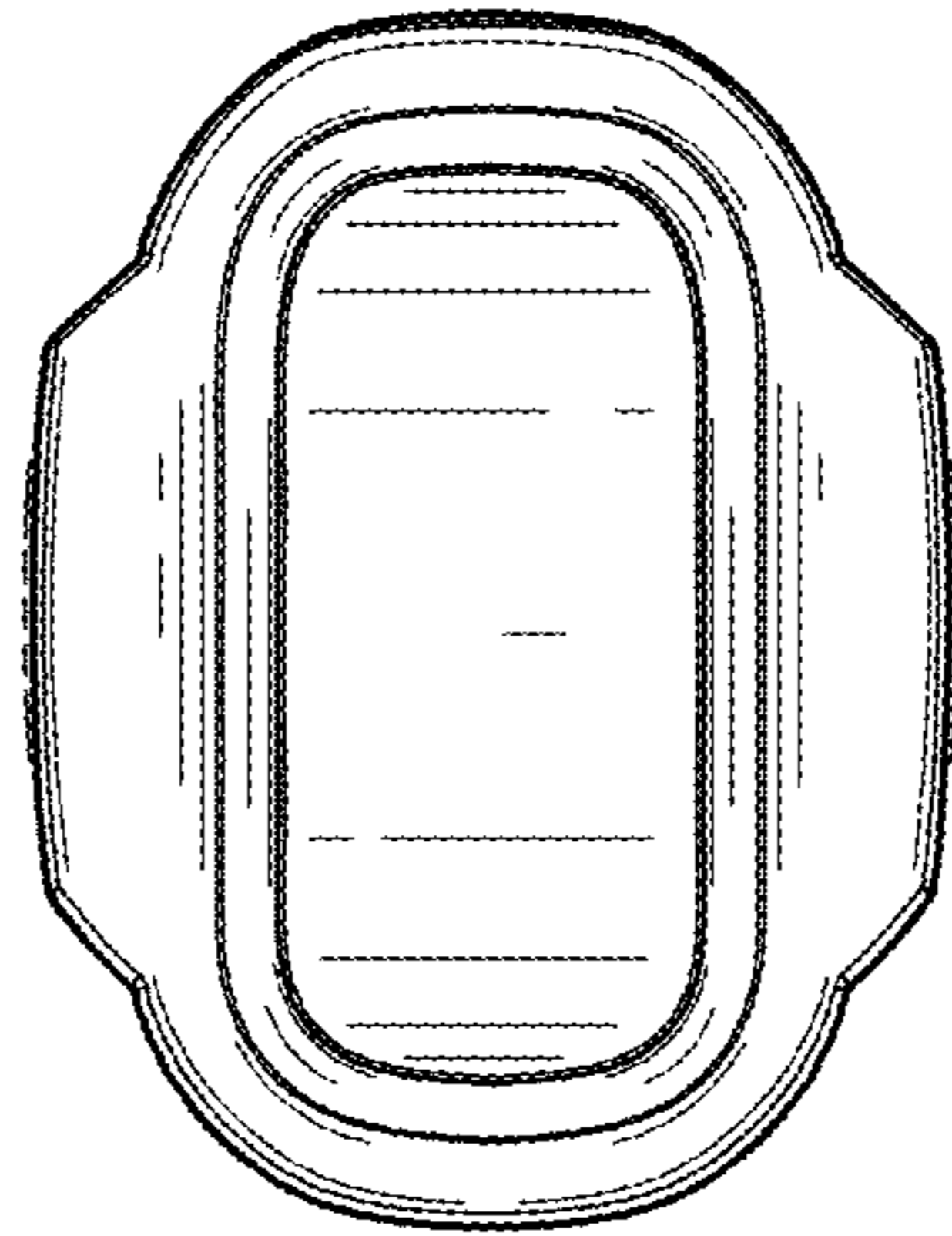


FIG. 7

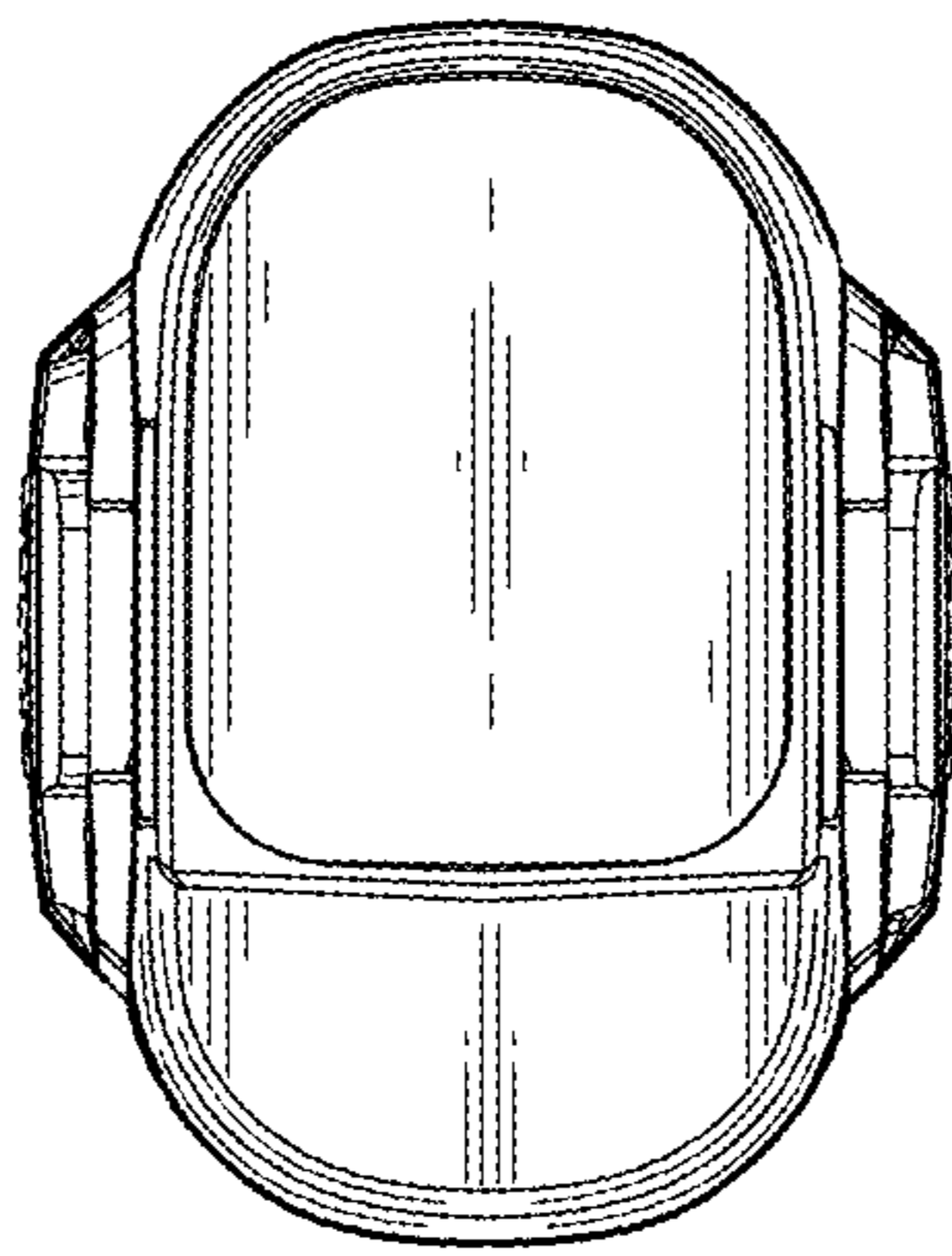


FIG. 8