

US00D766169S

(12) **United States Design Patent**
Fujioka

(10) **Patent No.:** **US D766,169 S**

(45) **Date of Patent:** **** Sep. 13, 2016**

(54) **TIRE**

(71) Applicant: **Toyo Tire & Rubber Co., Ltd.**,
Osaka-shi, Osaka (JP)

(72) Inventor: **Tsuyoshi Fujioka**, Osaka (JP)

(73) Assignee: **TOYO TIRE & RUBBER CO., LTD.**,
Osaka (JP)

(**) Term: **15 Years**

(21) Appl. No.: **29/530,960**

(22) Filed: **Jun. 22, 2015**

(30) **Foreign Application Priority Data**

Feb. 23, 2015 (JP) 2015-003677

(51) **LOC (10) Cl.** **12-15**

(52) **U.S. Cl.**
USPC **D12/596**

(58) **Field of Classification Search**

USPC D12/579, 583, 584, 596, 600, 601, 602,
D12/603

CPC ... B60C 11/11; B60C 11/12; B60C 11/0306;
B60C 11/0311; B60C 11/0346; B60C
11/0386

See application file for complete search history.

(56) **References Cited**

U.S. PATENT DOCUMENTS

D326,071 S *	5/1992	Enoki	D12/596
D384,608 S *	10/1997	Schuster	D12/594
D414,449 S *	9/1999	Schuster	D12/594
D457,128 S *	5/2002	Robert	D12/579
D502,683 S *	3/2005	Pang	D12/602
D512,370 S *	12/2005	Pang	D12/579

D520,443 S	5/2006	Yamaura	
D557,654 S *	12/2007	Yamaguchi D12/579
D559,773 S *	1/2008	Campana D12/579
D601,086 S *	9/2009	Maus D12/602
D609,165 S *	2/2010	Fujioka D12/579
D637,141 S *	5/2011	Fujioka D12/579
D637,152 S *	5/2011	Maus D12/602
D638,351 S *	5/2011	Fujioka D12/579
D641,684 S *	7/2011	Cerny D12/579
D644,985 S *	9/2011	Fujioka D12/600
D660,224 S *	5/2012	Takahashi D12/602
D661,643 S *	6/2012	Kaji D12/602
D718,226 S *	11/2014	Cerny D12/579
D744,409 S *	12/2015	Krier D12/583

* cited by examiner

Primary Examiner — Robert M Spear

(74) *Attorney, Agent, or Firm* — Sterne, Kessler, Goldstein & Fox PLLC

(57) **CLAIM**

The ornamental design for a tire, as shown and described.

DESCRIPTION

FIG. 1 is a perspective view of a tire showing my new design;

FIG. 2 is a front view thereof;

FIG. 3 is a rear view thereof;

FIG. 4 is a top plan view thereof, the bottom view being the same;

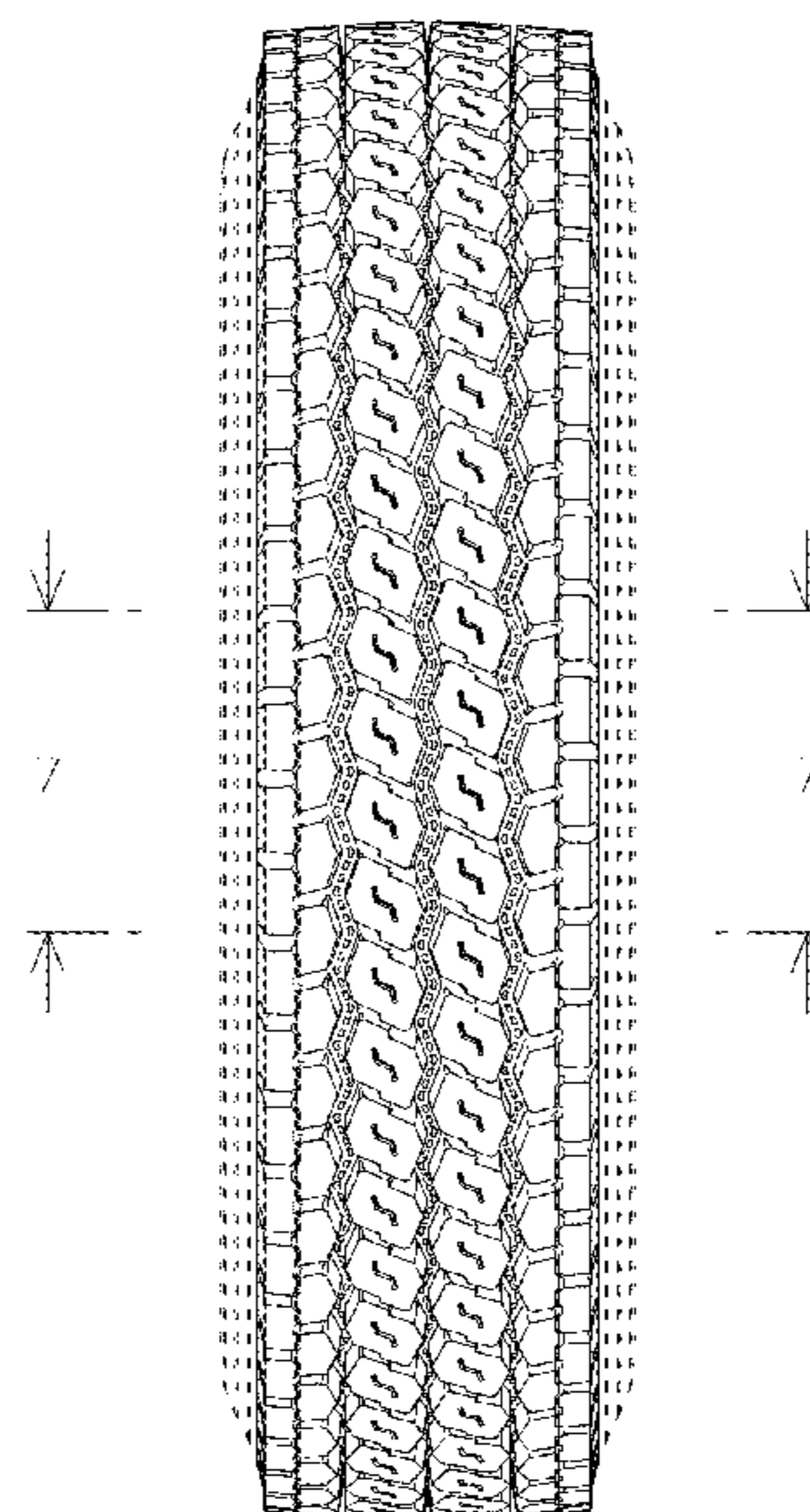
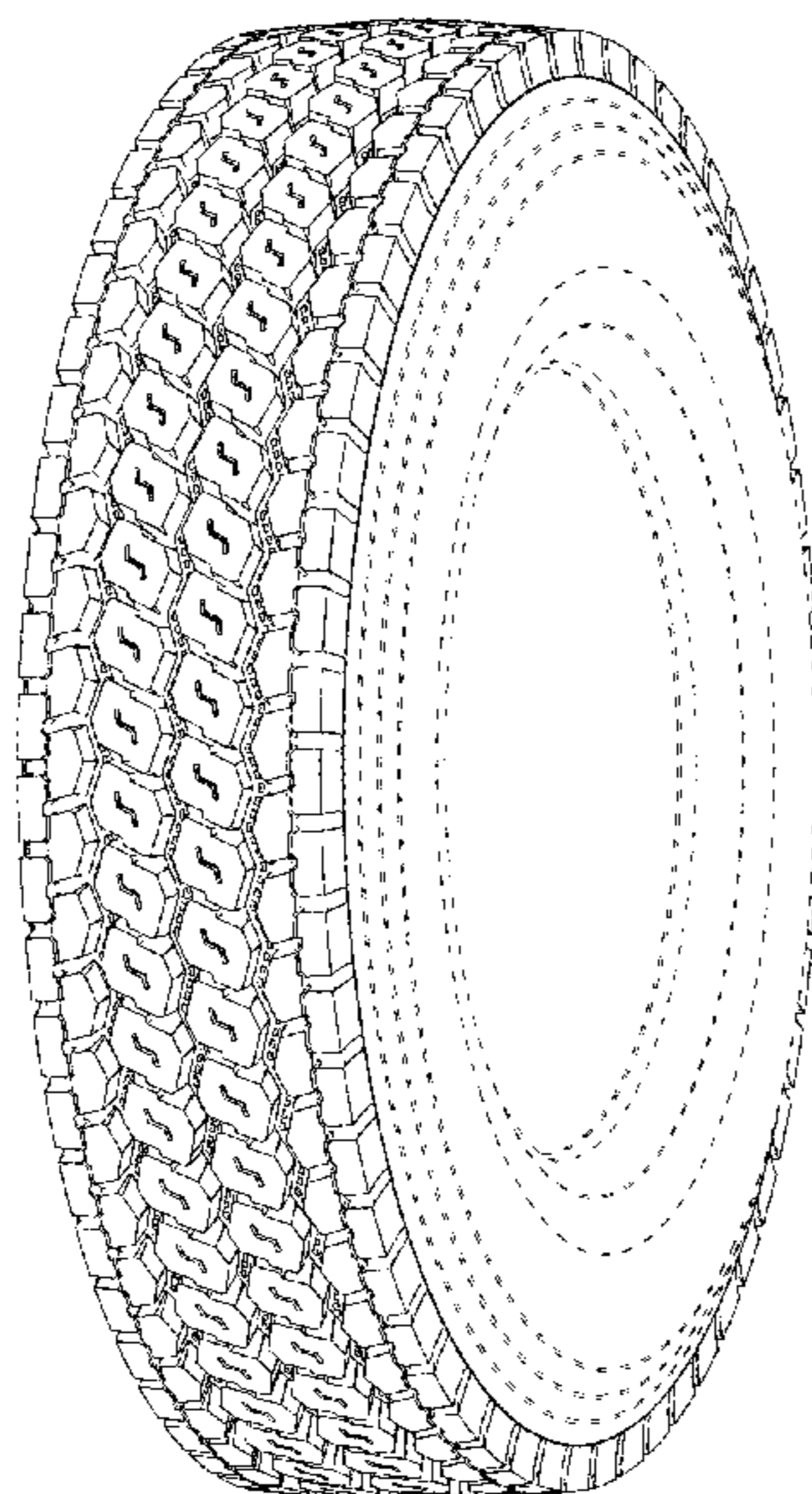
FIG. 5 is a right side view thereof;

FIG. 6 is a left side view thereof;

FIG. 7 is an enlarged view of the portion 7-7 in FIG. 2; and, FIG. 8 is an enlarged cross-sectional view taken along line 8-8 in FIG. 7.

In the drawings, the broken lines showing portions of the sidewall and inner bead depict portions of the tire that form no part of the claimed design.

1 Claim, 8 Drawing Sheets



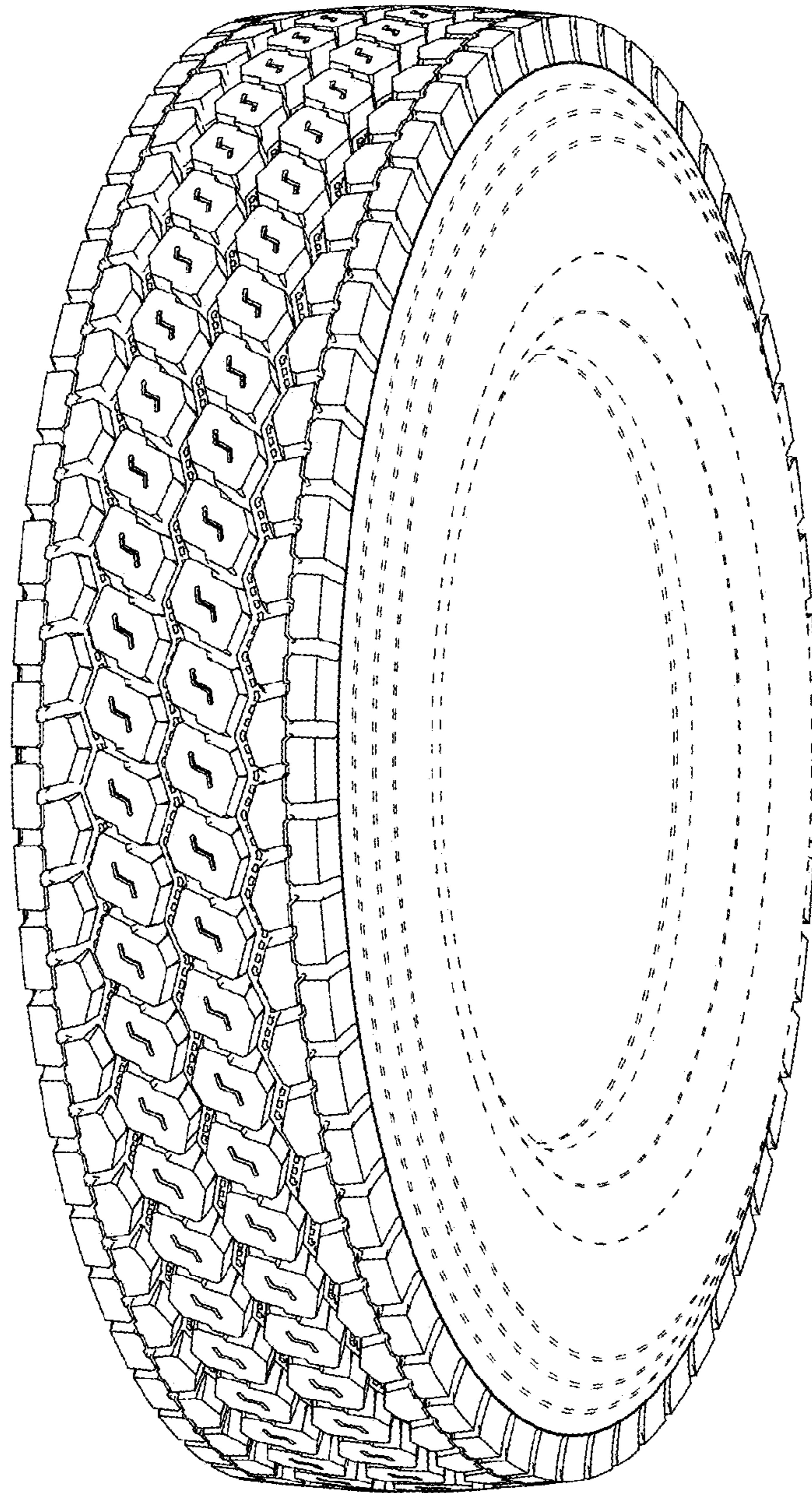


FIG. 1

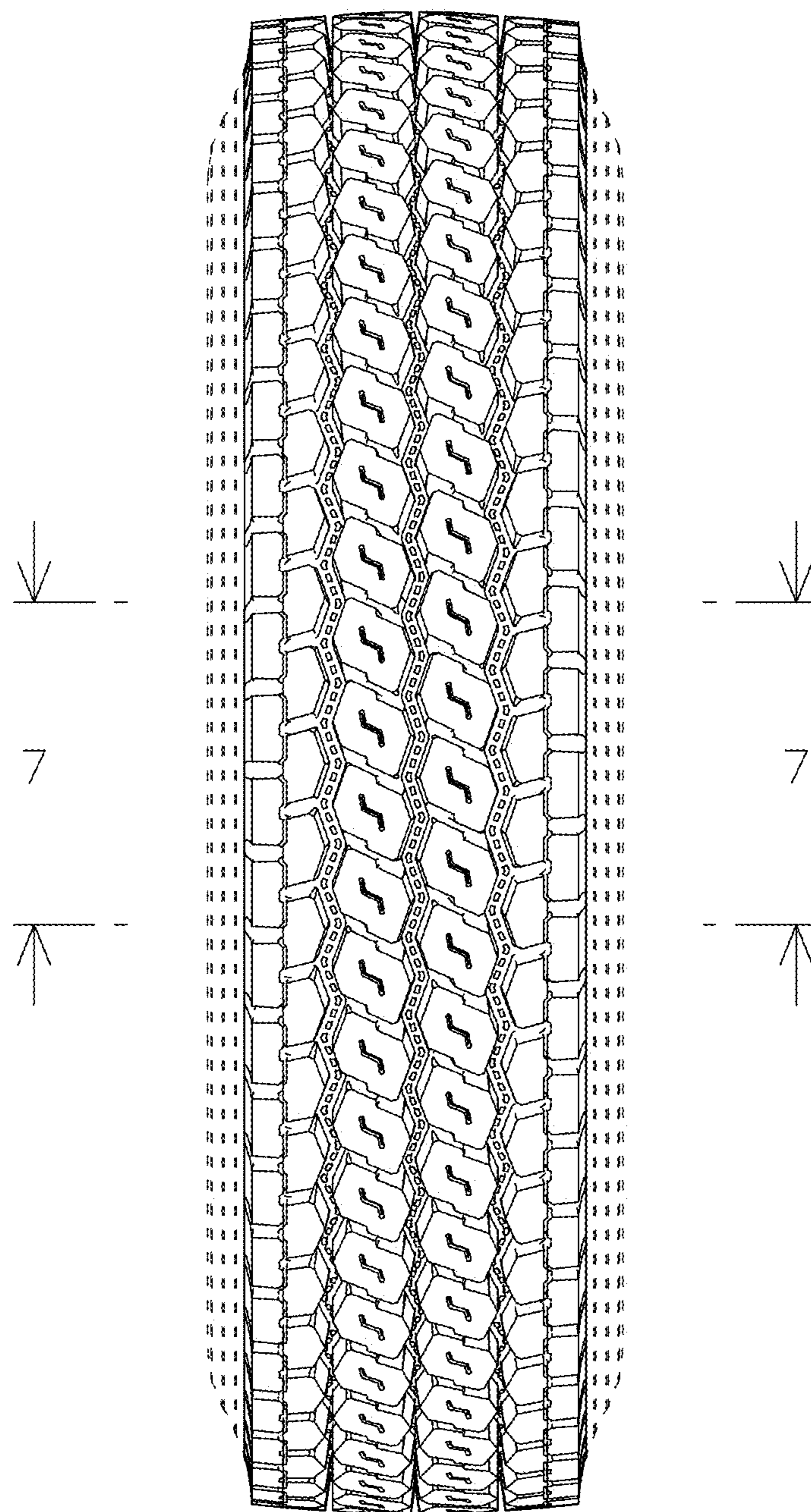


FIG. 2

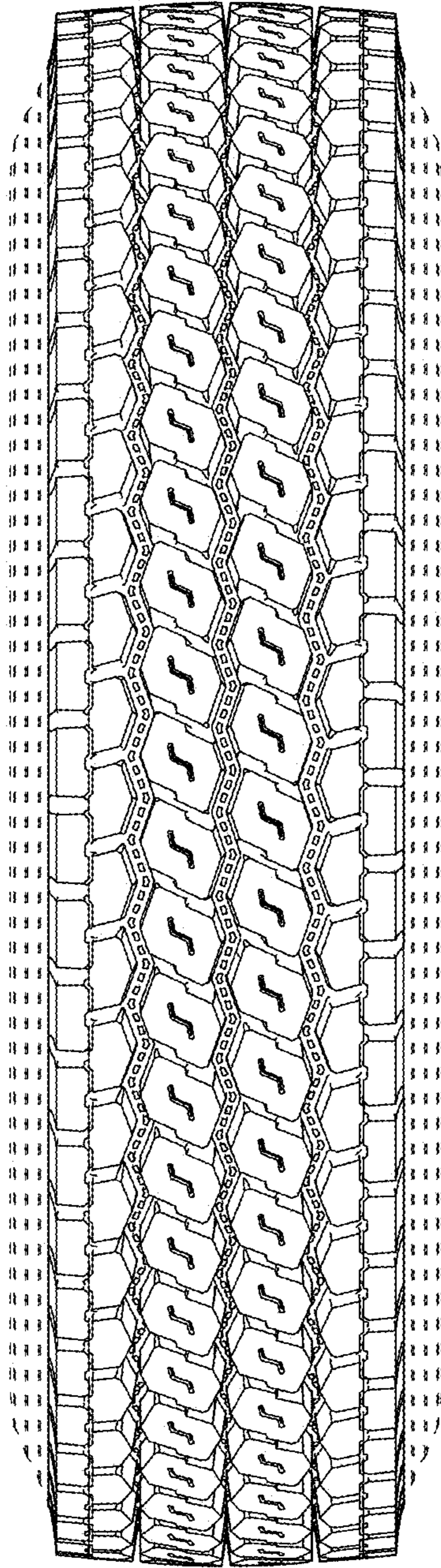


FIG. 3

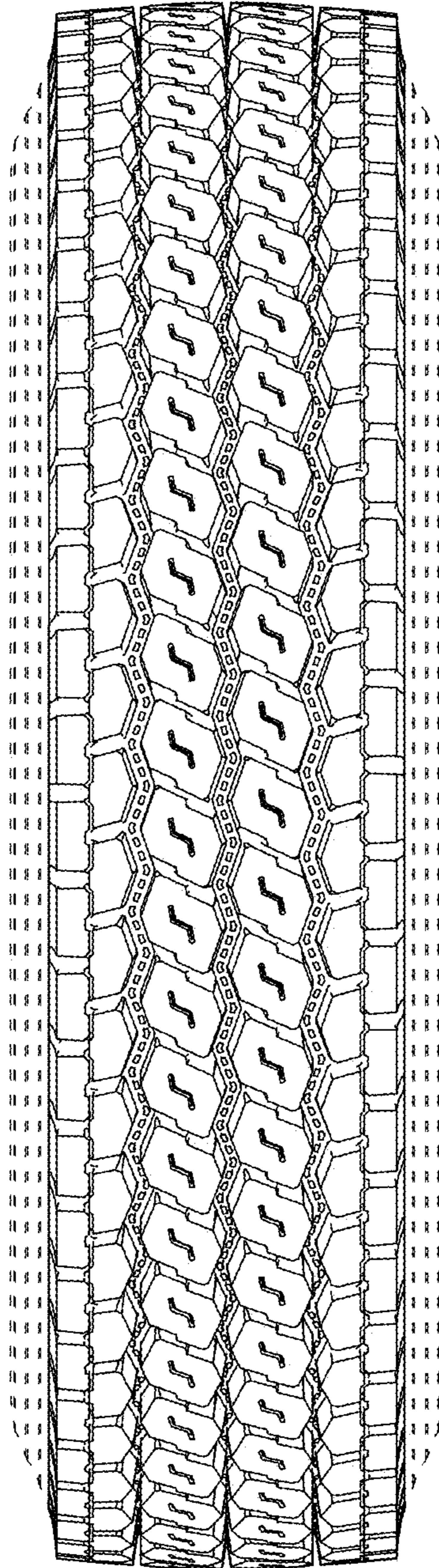


FIG. 4

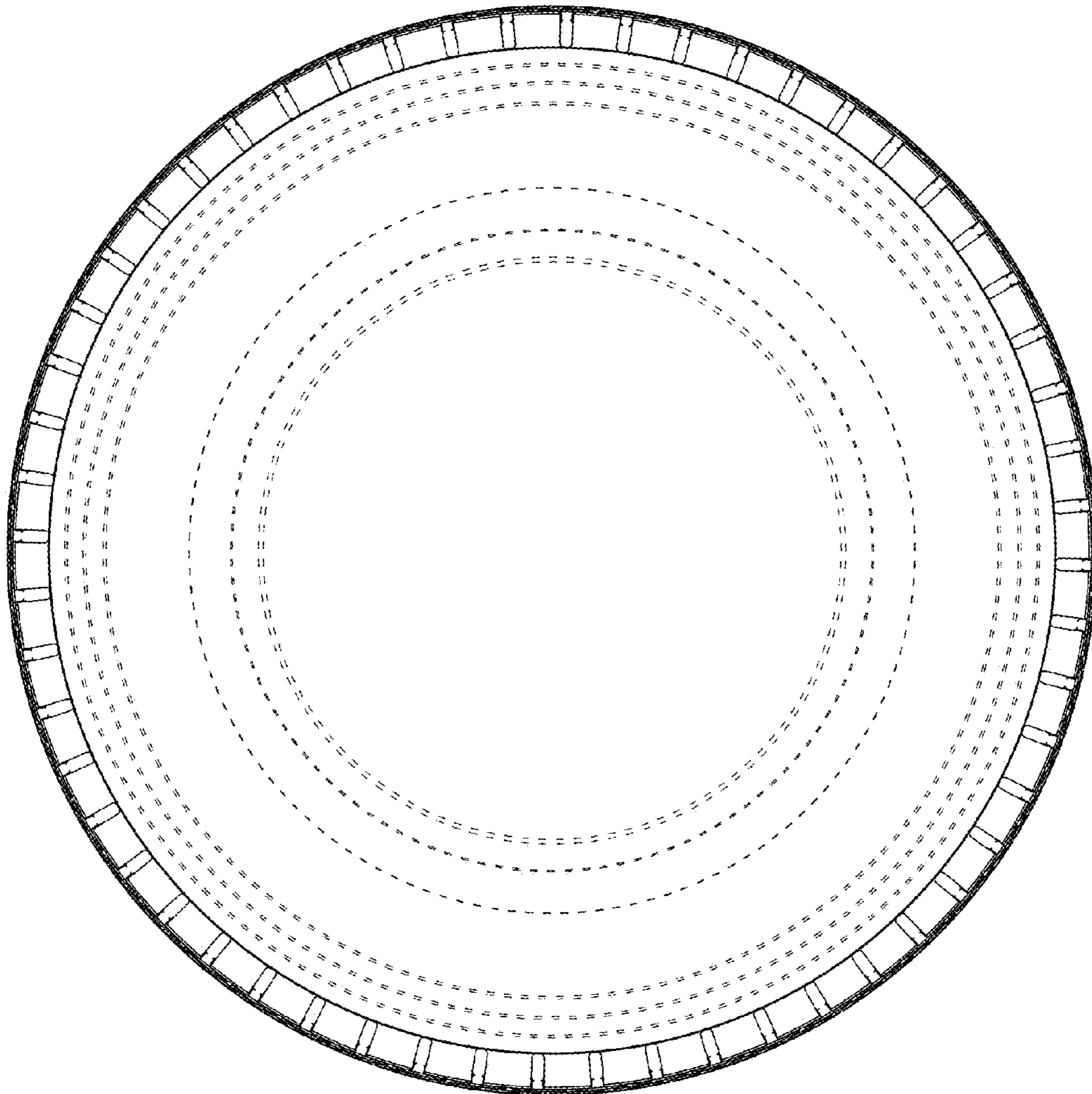


FIG. 5

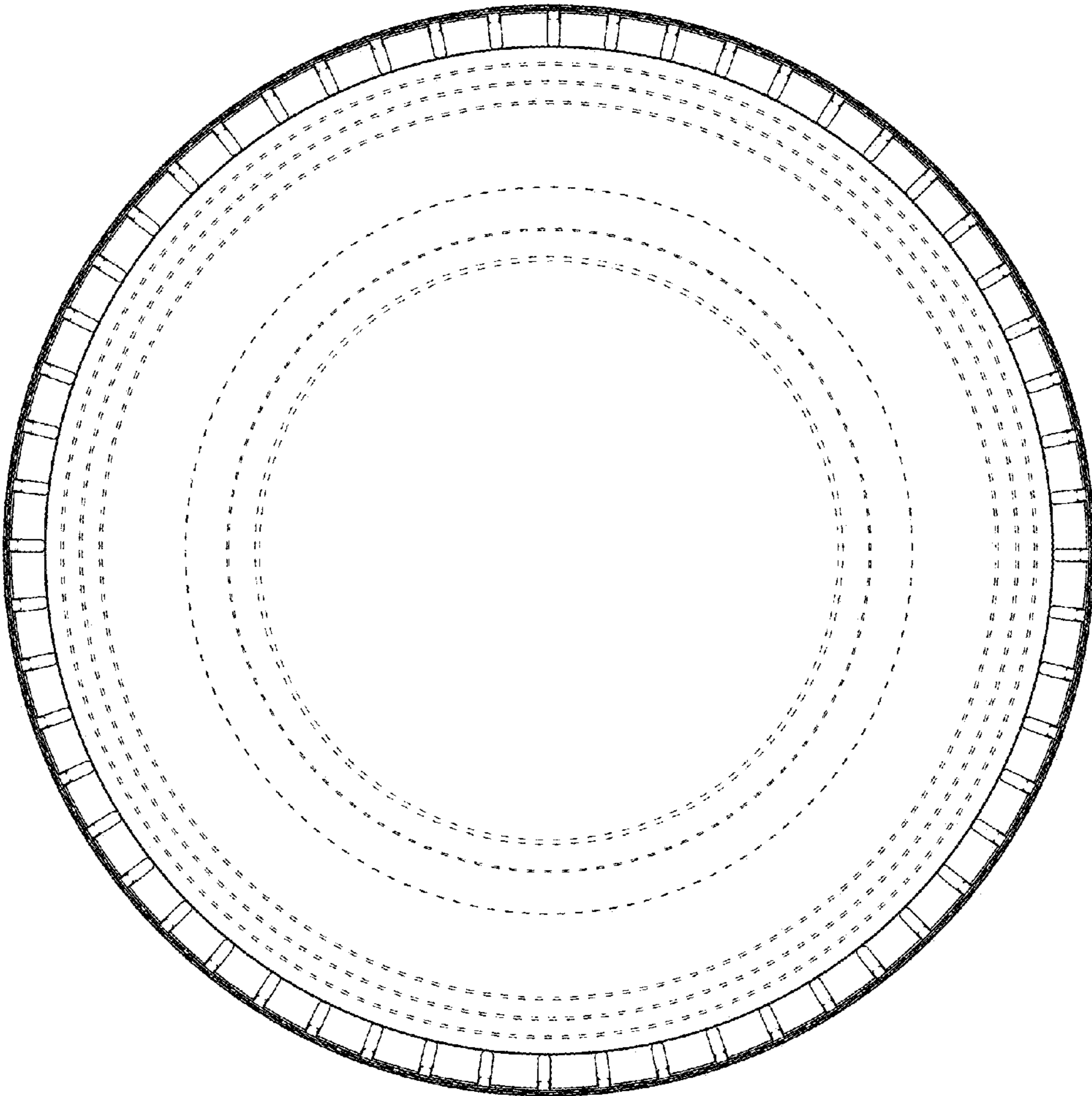


FIG. 6

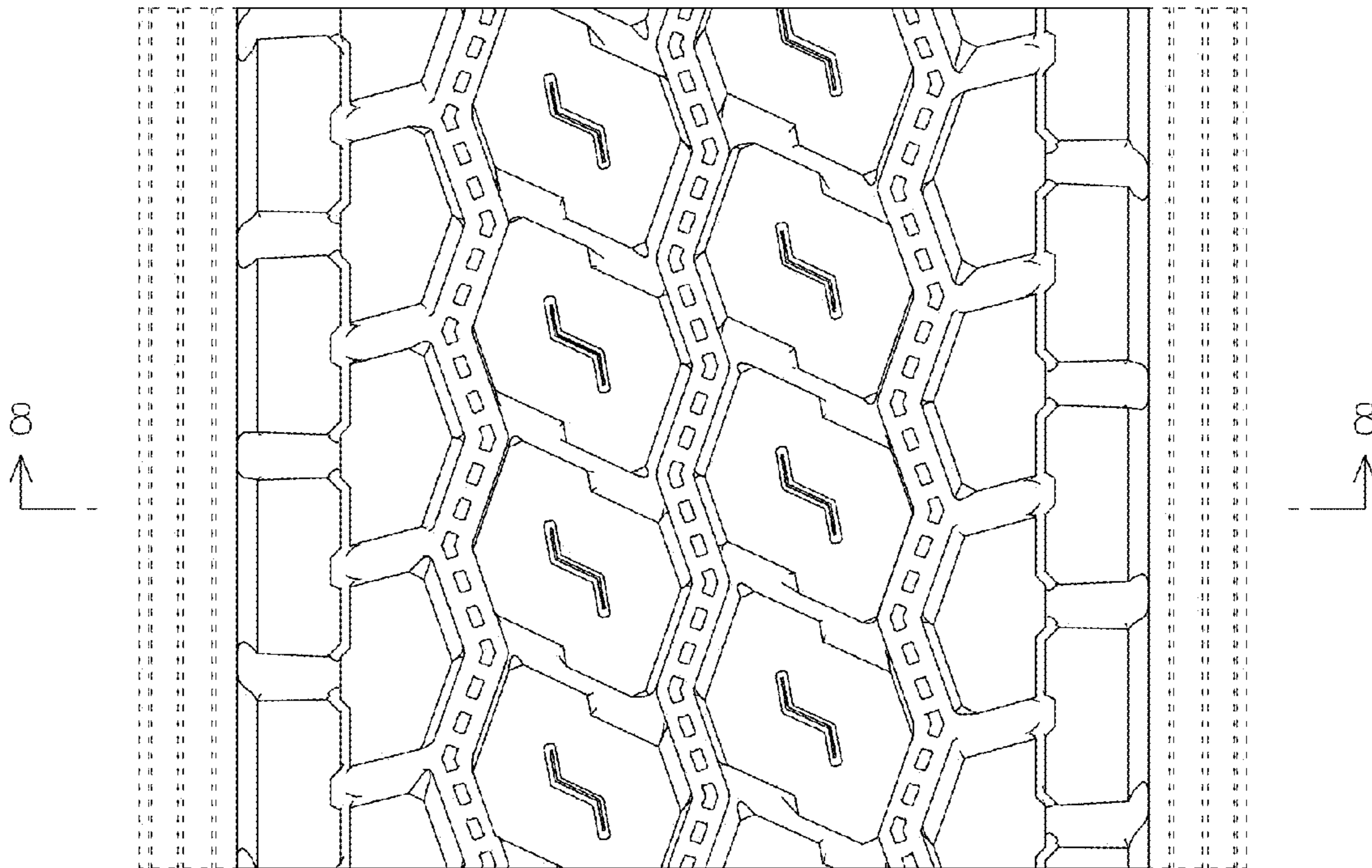


FIG. 7

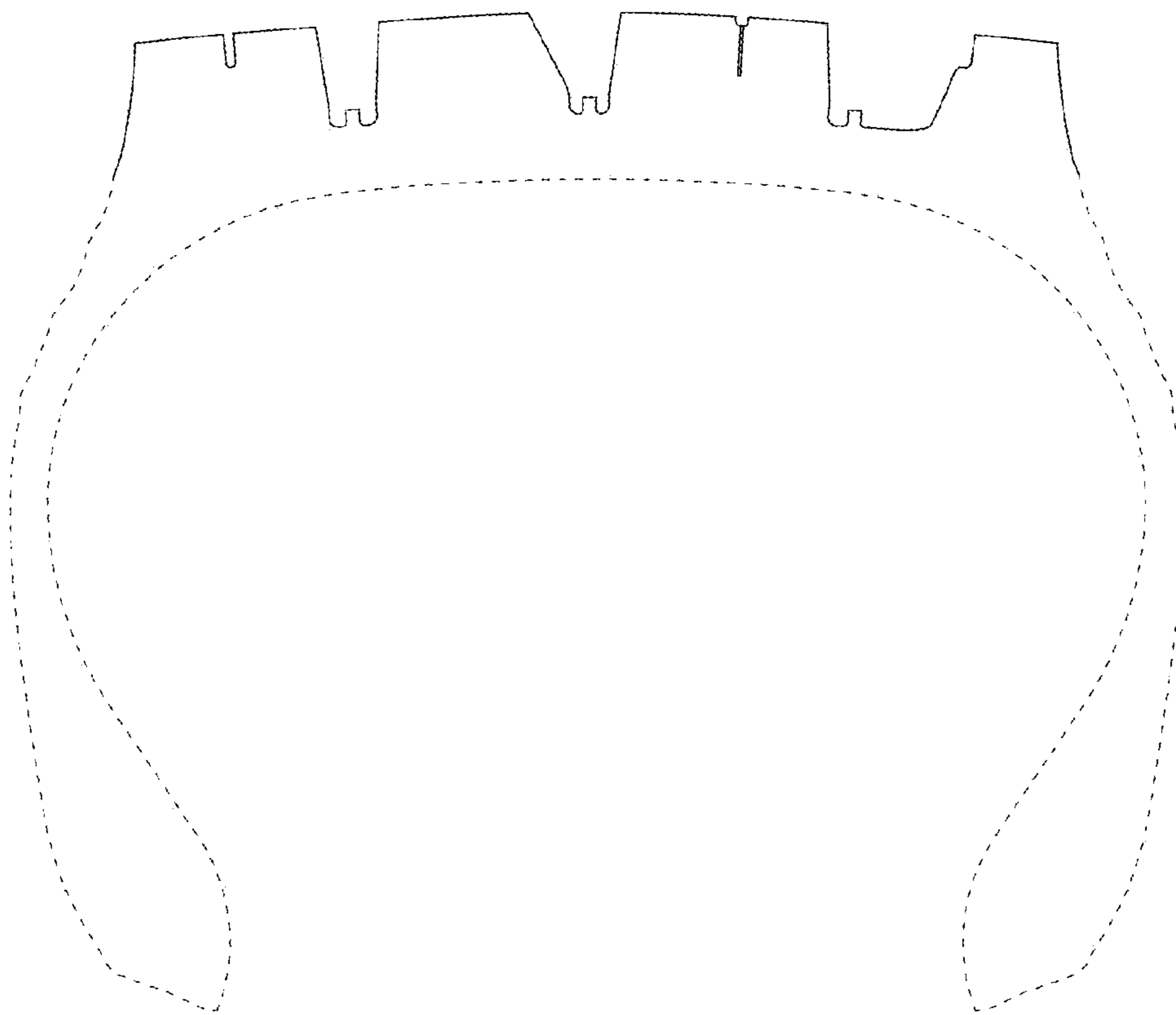


FIG. 8