



US00D766168S

(12) **United States Design Patent** (10) **Patent No.:** **US D766,168 S**
Baranger et al. (45) **Date of Patent:** **** Sep. 13, 2016**

(54) **TIRE TREAD**
(71) Applicants: **Eddy Baranger**, Clermont-Ferrand (FR); **Christophe Chebaut**, Clermont-Ferrand (FR); **Guillaume Bacher**, Clermont-Ferrand (FR)
(72) Inventors: **Eddy Baranger**, Clermont-Ferrand (FR); **Christophe Chebaut**, Clermont-Ferrand (FR); **Guillaume Bacher**, Clermont-Ferrand (FR)

D489,037 S * 4/2004 Irimiya D12/553
D506,722 S * 6/2005 Nonaka D12/553
D545,266 S * 6/2007 Yamaura D12/584
D569,785 S * 5/2008 Murata D12/519
D646,219 S * 10/2011 Suda D12/591
D732,465 S * 6/2015 Yamada D12/588
D735,640 S * 8/2015 Vandaele D12/553
D738,811 S * 9/2015 Drake D12/583
D742,809 S * 11/2015 Renis D12/583
2013/0180638 A1 * 7/2013 Washizuka B60C 11/0311
152/209.8
2014/0299242 A1 * 10/2014 Chauvin B60C 11/032
152/209.8

(73) Assignees: **COMPAGNIE GENERALE DES ETABLISSEMENTS MICHELIN** (FR); **MICHELIN RECHERCHE ET TECHNIQUE S.A.** (CH)

OTHER PUBLICATIONS

Tire Talk, posted at hubertire.com, posting on Oct. 9, 2013, © 2014 hubertire.com, [online], [site visited Nov. 17, 2015]. Available from Internet, <URL: <http://hubertire.com/resources/tire-talk/>>.*

(**) Term: **14 Years**
(21) Appl. No.: **29/490,884**
(22) Filed: **May 15, 2014**

* cited by examiner

Primary Examiner — Marianne Pandozzi
Assistant Examiner — Aula Soroush
(74) *Attorney, Agent, or Firm* — Dickinson Wright PLLC

(30) **Foreign Application Priority Data**
Nov. 15, 2013 (FR) 13 4900
(51) **LOC (10) Cl.** **12-15**
(52) **U.S. Cl.**
USPC **D12/583**
(58) **Field of Classification Search**
USPC D12/511–525, 535, 537, 568–603;
152/209.1, 209.8, 209.18, 209.25,
152/209.28
CPC B60C 3/06; B60C 11/03; B60C 11/11;
B60C 11/0304; B60C 11/0318; B60C 13/003;
B60C 17/0009; B60C 2011/1227; B60C
2200/10
See application file for complete search history.

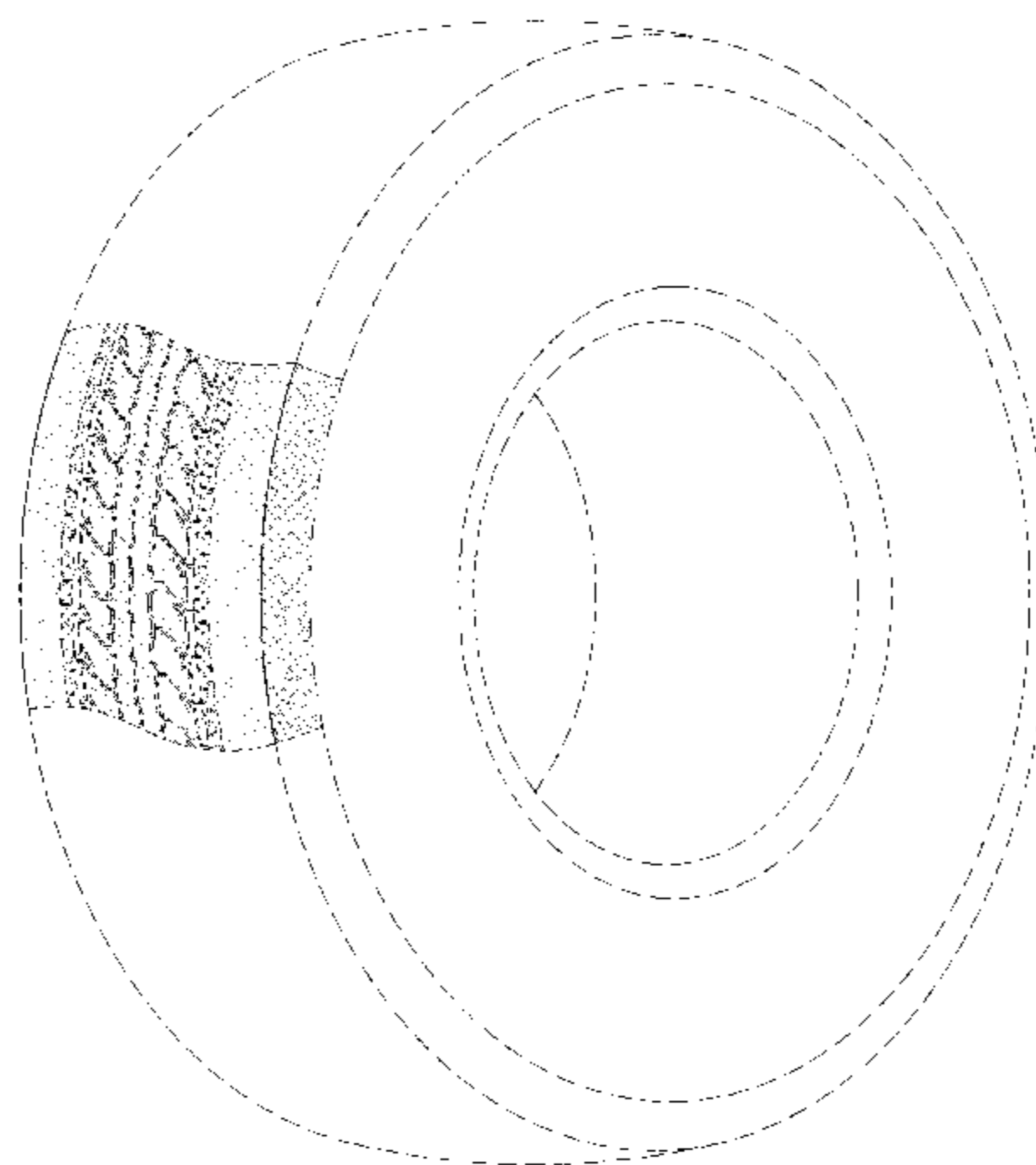
(57) **CLAIM**
The ornamental design for a tire tread, as shown and described.

DESCRIPTION

FIG. 1 is a perspective view of a tire tread showing our new design;
FIG. 2 is a front elevation view thereof;
FIG. 3 is a right side elevation view thereof;
FIG. 4 is a left side elevation view thereof; and,
FIG. 5 is an enlarged fragmentary perspective view thereof.
The broken lines depict environmental subject matter that forms no part of the claimed design. The dot-dot-dash lines represent the peripheral boundary between the tire tread and the unclaimed sidewall. The tread pattern is understood to repeat uniformly throughout the circumference of the tire.

1 Claim, 5 Drawing Sheets

(56) **References Cited**
U.S. PATENT DOCUMENTS
D385,234 S * 10/1997 Young D12/553
D489,036 S * 4/2004 Irimiya D12/553



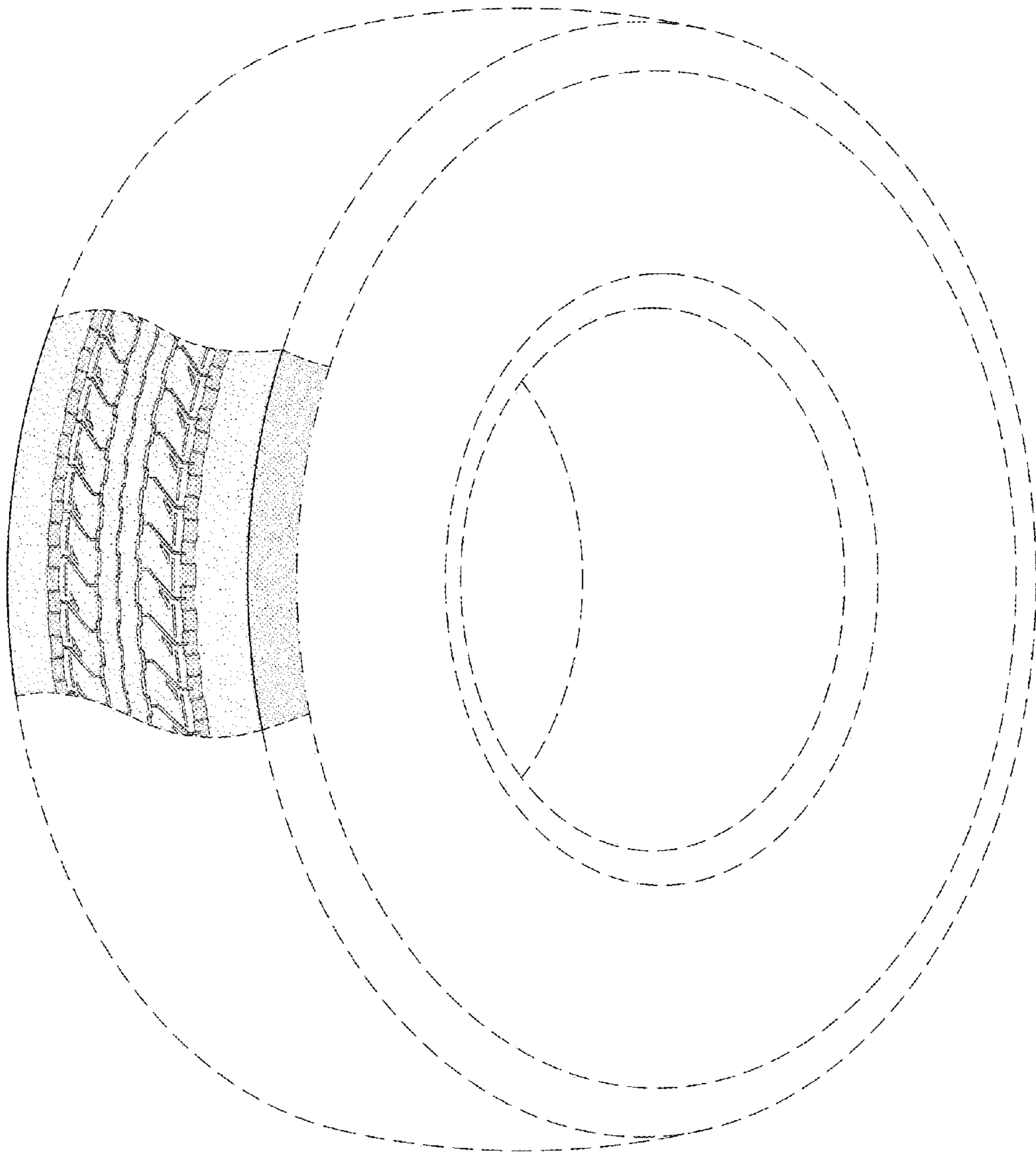


FIG. 1

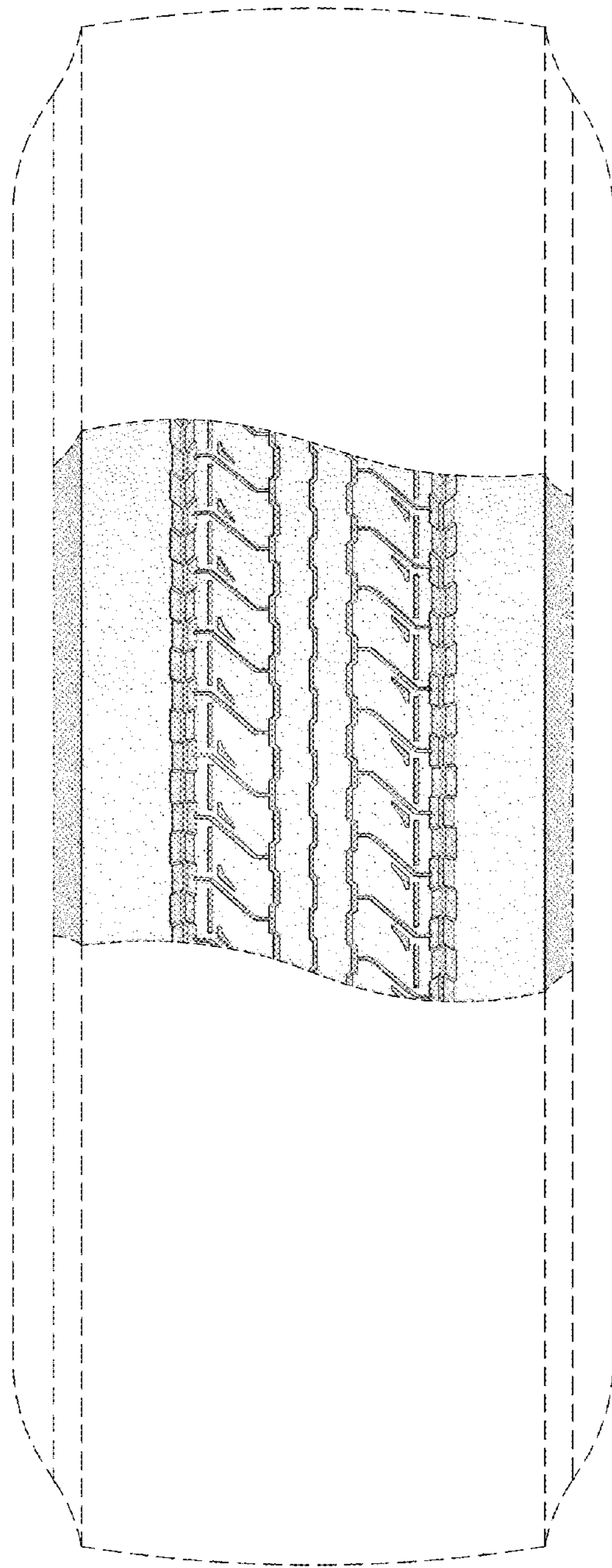


FIG. 2

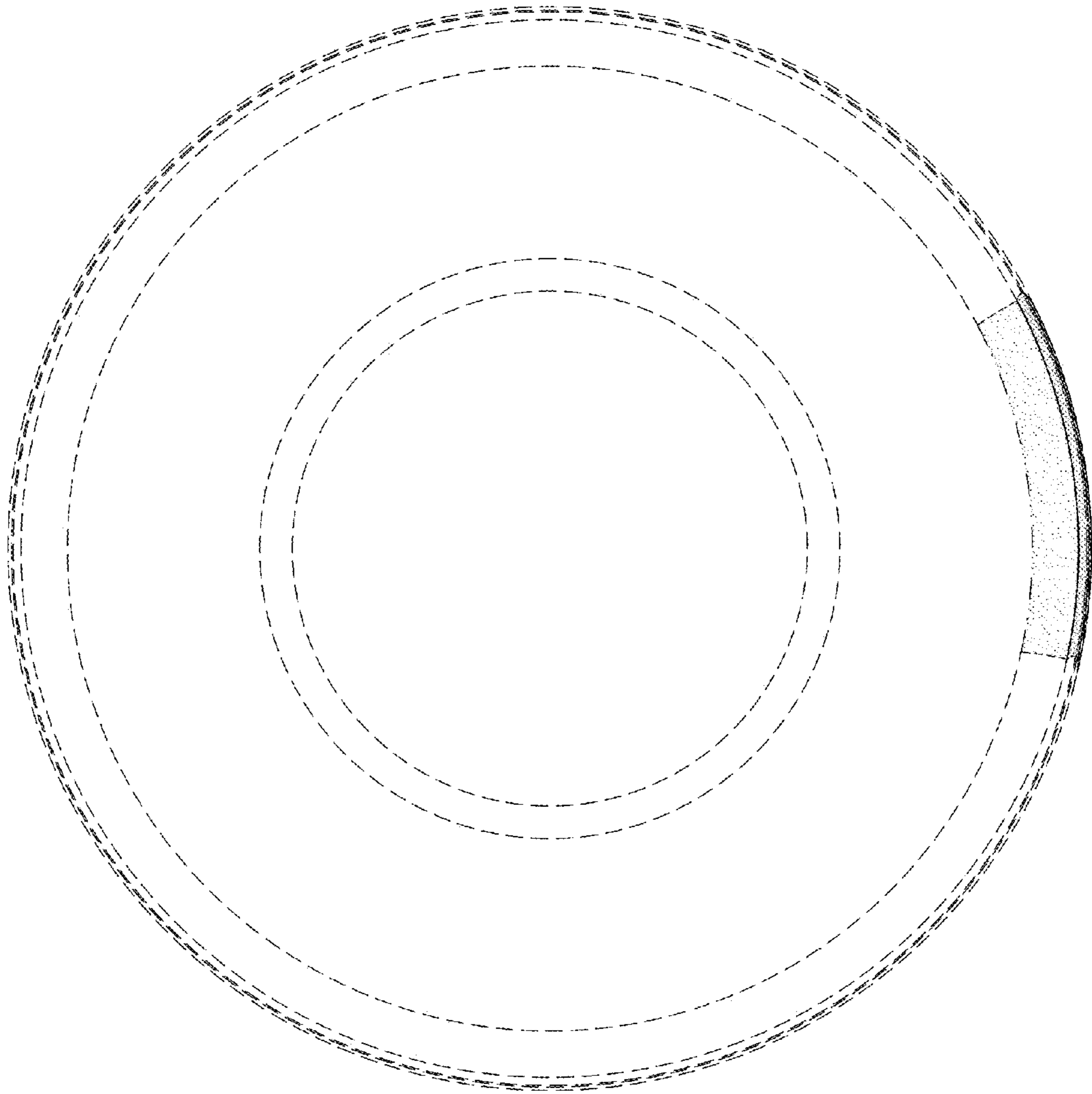


FIG. 3

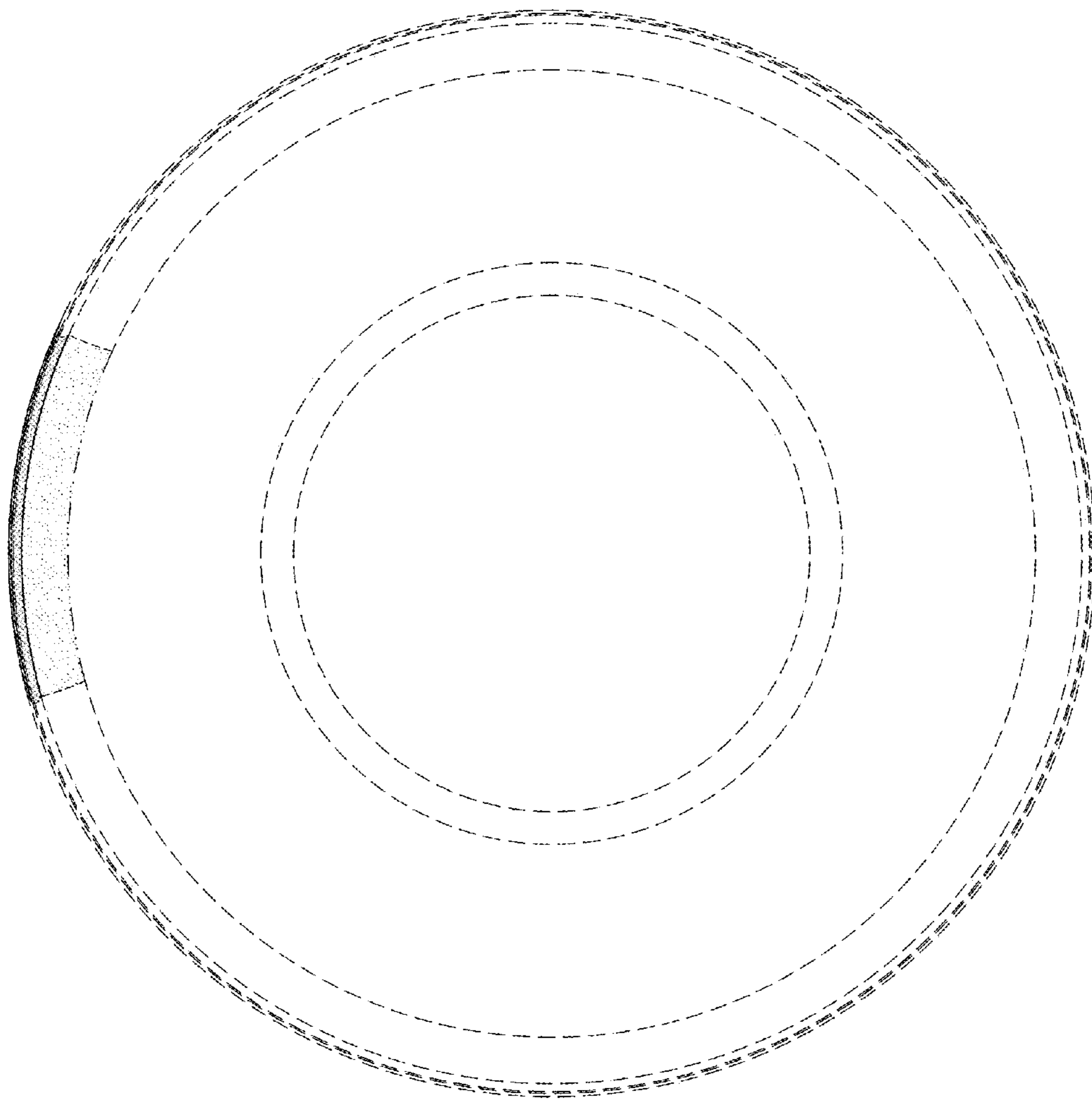


FIG. 4

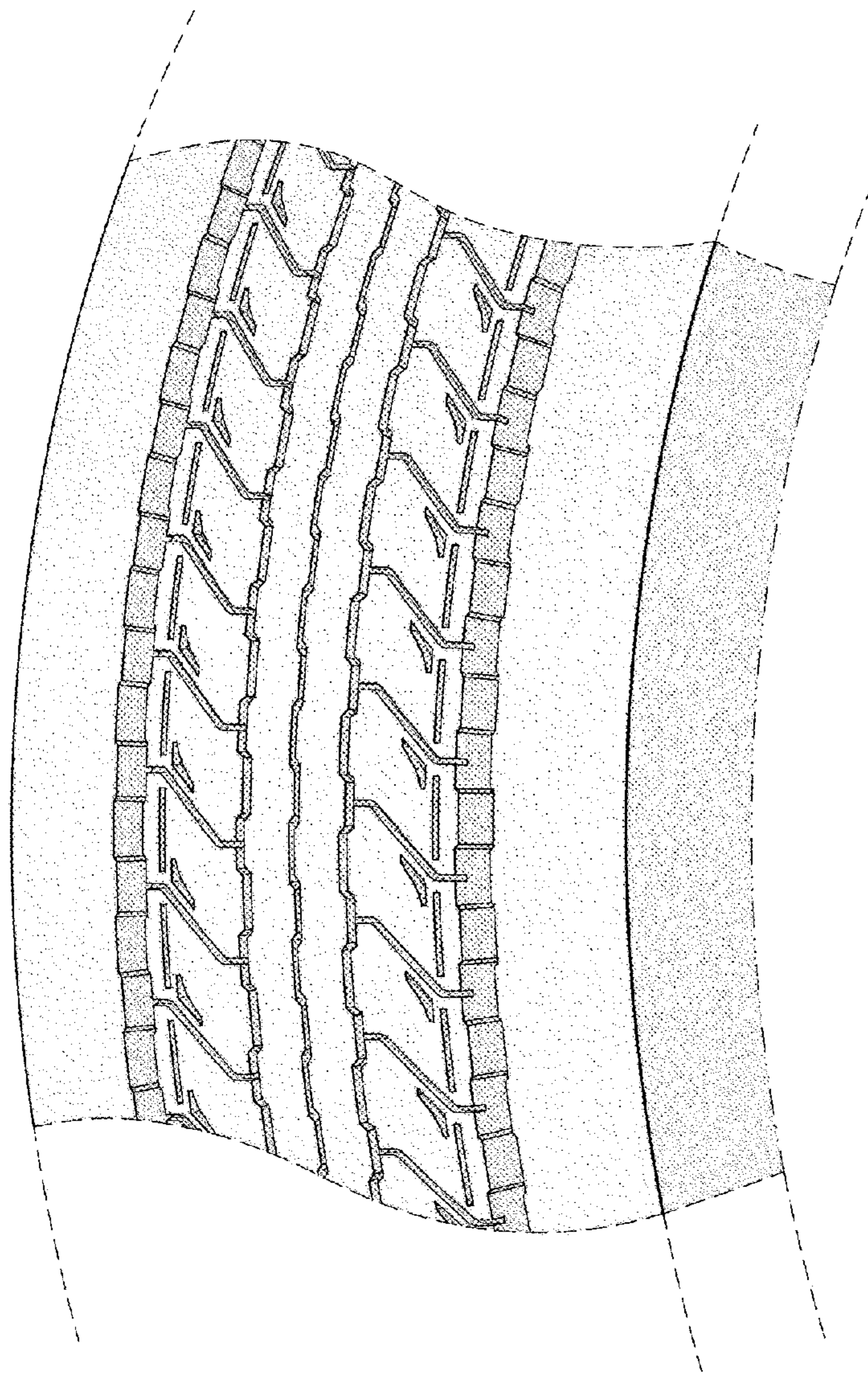


FIG. 5