



US00D766158S

(12) **United States Design Patent** (10) **Patent No.:** **US D766,158 S**  
**Martin** (45) **Date of Patent:** **\*\* Sep. 13, 2016**

(54) **OFFSET SAILBOAT STANCHION**

(71) Applicant: **Mark Andrew Martin**, Lewisville, TX (US)

(72) Inventor: **Mark Andrew Martin**, Lewisville, TX (US)

(\*\*) Term: **15 Years**

(21) Appl. No.: **29/530,917**

(22) Filed: **Jun. 22, 2015**

(51) **LOC (10) Cl.** ..... **12-06**

(52) **U.S. Cl.**  
USPC ..... **D12/317**

(58) **Field of Classification Search**  
USPC ..... D12/300, 303, 304, 315, 318;  
114/39.11, 39.12, 39.13, 39.14, 39.15,  
114/39.21, 39.24, 39.25, 39.26, 39.28,  
114/39.31, 102.1, 102.13, 102.29, 102.31,  
114/102.32, 102.33, 343, 355; D21/544  
CPC ..... B63H 9/00; B63H 9/04; B63H 9/06;  
B63H 9/0607; B63H 9/0642; B63H 9/0657;  
B63H 9/0685; B63B 35/7973; B63B  
35/7976; B63B 35/7983  
See application file for complete search history.

4,706,593 A \* 11/1987 Vail, Jr. .... B63J 2/10  
114/211

4,757,777 A \* 7/1988 Rosenberger ..... B63H 9/0607  
114/102.32

5,188,050 A \* 2/1993 Latham ..... B63H 9/04  
114/90

D371,760 S \* 7/1996 Ackley ..... D12/317

D372,316 S \* 7/1996 Purvis ..... D25/126

7,267,065 B1 \* 9/2007 Short ..... B63H 9/06  
114/102.1

7,302,900 B1 \* 12/2007 Stefano ..... B63B 17/04  
114/218

D569,331 S \* 5/2008 Gassew ..... D12/317

8,297,215 B1 \* 10/2012 Chinn ..... B63B 17/04  
114/362

2011/0100287 A1 \* 5/2011 Povich ..... B63B 17/04  
114/364

2016/0101829 A1 \* 4/2016 Todd ..... B63B 17/04  
114/364

\* cited by examiner

*Primary Examiner* — Cynthia M Chin  
 (74) *Attorney, Agent, or Firm* — David G. Moore

(57) **CLAIM**

The ornamental design for an offset sailboat stanchion, as shown.

**DESCRIPTION**

FIG. 1 is a view of the front of offset sailboat stanchion;  
 FIG. 2 is a view of the back of the offset sailboat stanchion;  
 FIG. 3 is a view of the right side of the offset sailboat stanchion;  
 FIG. 4 is a view of the left side of the offset sailboat stanchion;  
 FIG. 5 is a view of the top of the offset sailboat stanchion;  
 and,  
 FIG. 6 is a view of the bottom of the offset sailboat stanchion.

**1 Claim, 3 Drawing Sheets**

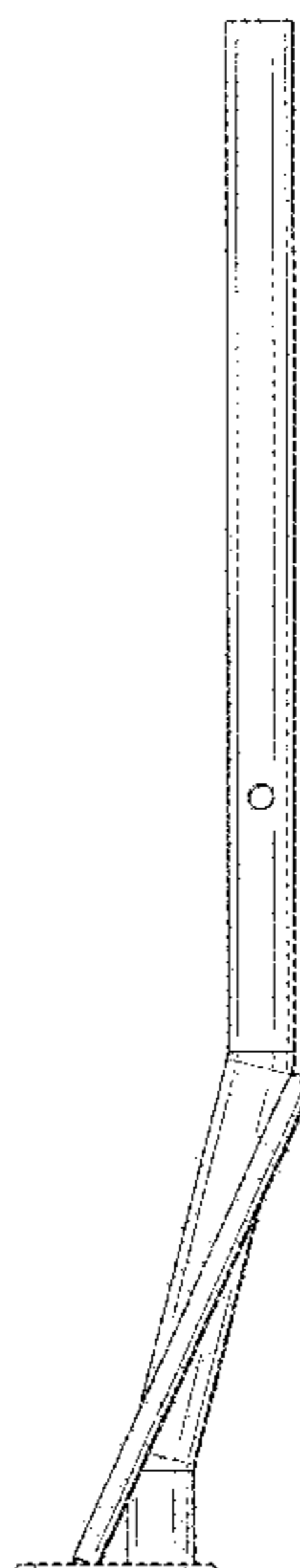


FIG. 1

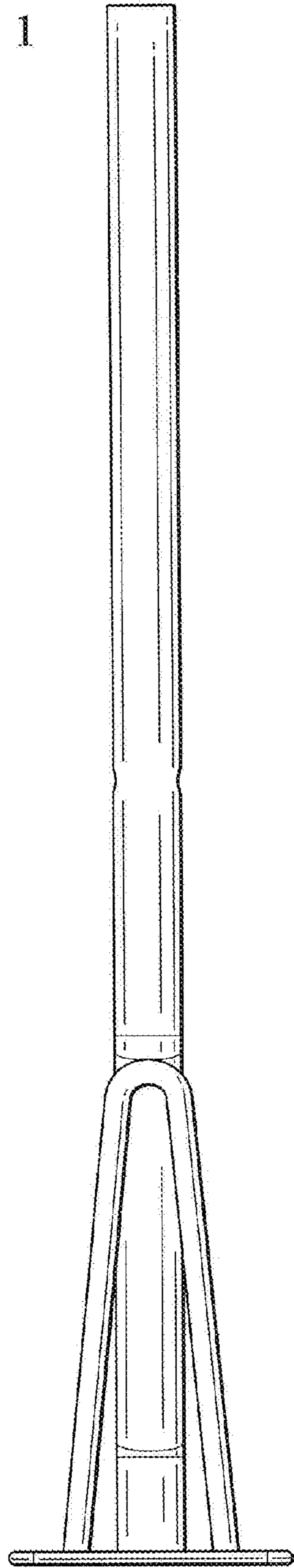
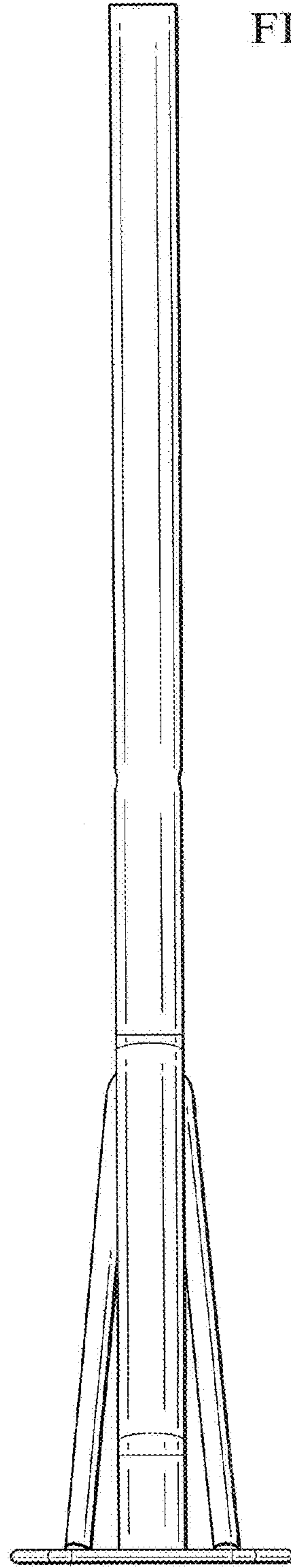
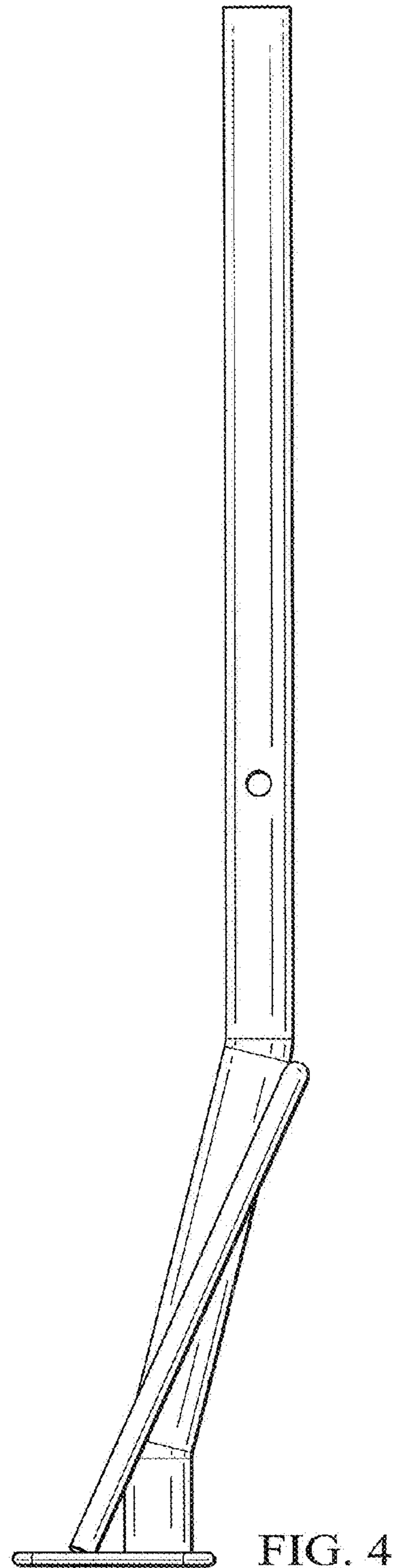
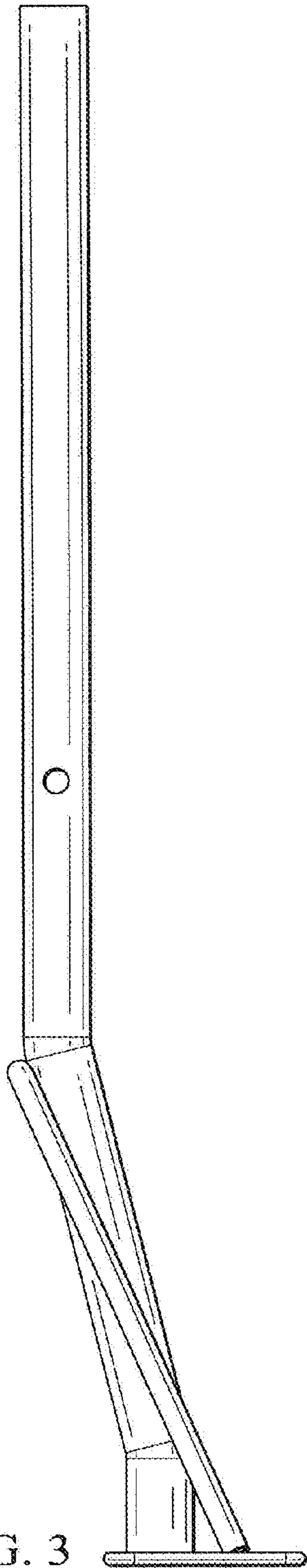


FIG. 2





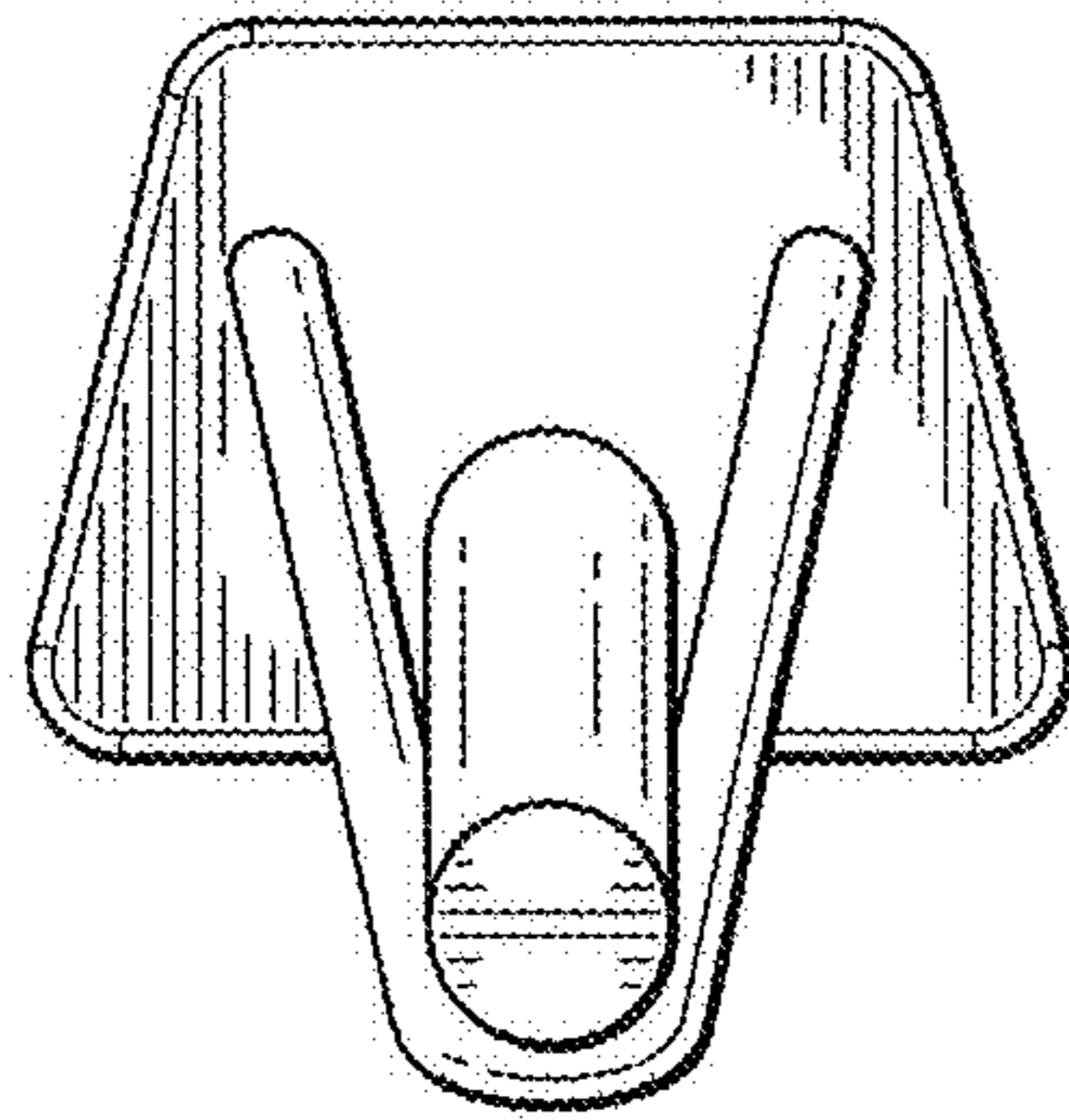


FIG. 5

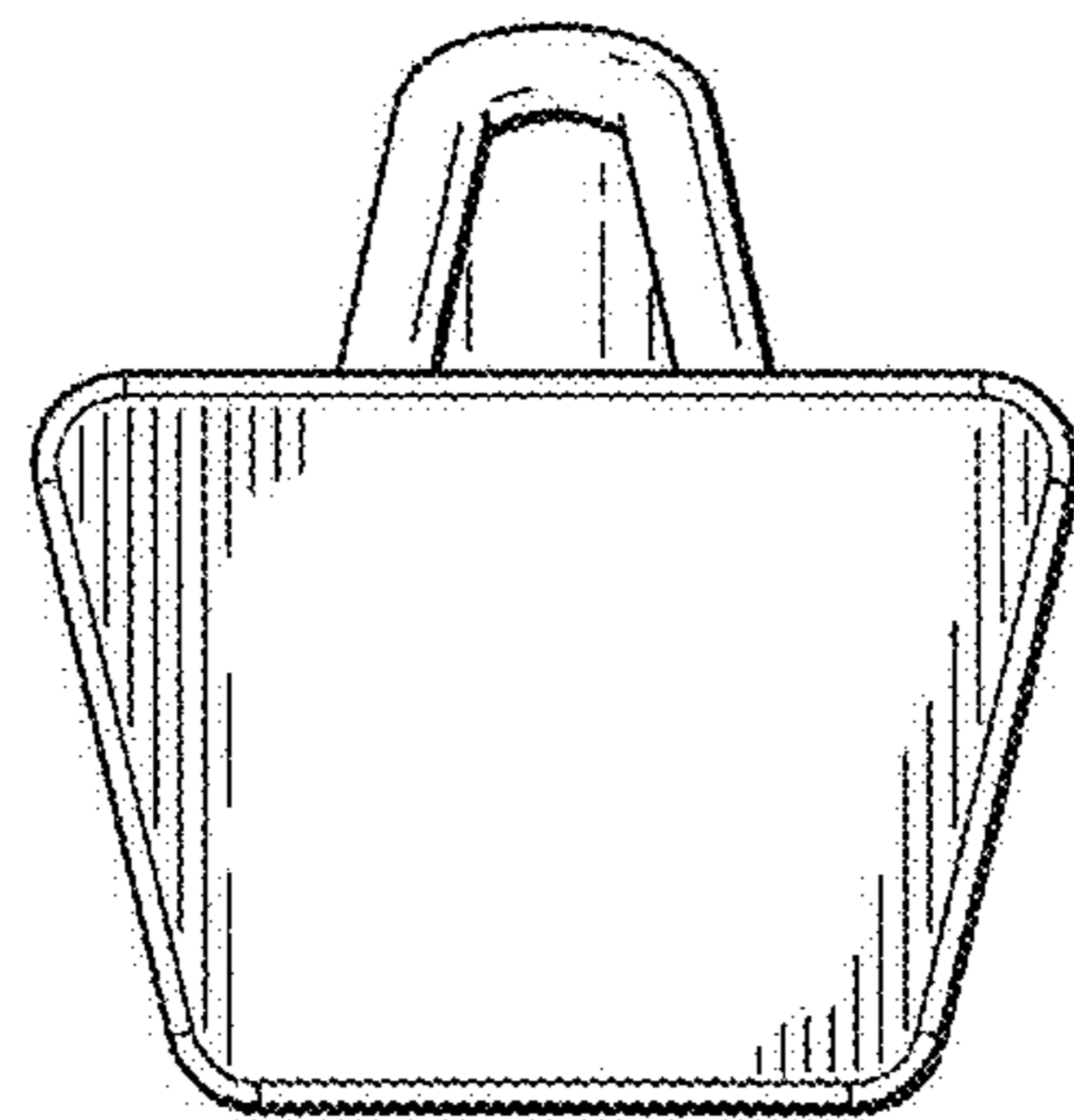


FIG. 6