

US00D766157S

(12) **United States Design Patent**  
**Reynolds et al.**

(10) **Patent No.:** **US D766,157 S**  
(45) **Date of Patent:** **\*\* Sep. 13, 2016**

(54) **ROLL CAGE**

(71) Applicant: **Pink Adventure Group, Inc.**, Houston,  
TX (US)

(72) Inventors: **Joseph Reynolds**, Sedona, AZ (US);  
**Greg McCallum**, Sedona, AZ (US);  
**Shawn Wendell**, Sedona, AZ (US)

(73) Assignee: **Pink Adventure Group, Inc.**, Houston,  
TX (US)

(\*\*) Term: **14 Years**

(21) Appl. No.: **29/504,218**

(22) Filed: **Oct. 2, 2014**

(51) **LOC (10) Cl.** ..... **12-06**

(52) **U.S. Cl.**  
USPC ..... **D12/222**

(58) **Field of Classification Search**  
USPC ..... D12/222, 223, 86, 400, 401, 404, 406,  
D12/412, 414, 93, 101; D6/552  
CPC ..... B60R 27/00  
See application file for complete search history.

(56) **References Cited**

**U.S. PATENT DOCUMENTS**

4,148,504 A \* 4/1979 Rushing ..... B60R 21/13  
182/153  
D257,673 S \* 12/1980 Milton ..... D12/222

D399,476 S \* 10/1998 Duncan ..... D12/14  
D621,328 S \* 8/2010 Sistare ..... D12/222  
D654,844 S \* 2/2012 Pinto ..... D12/222  
D655,668 S \* 3/2012 Levorato ..... D12/222  
D681,542 S \* 5/2013 Oliver ..... D12/222

**OTHER PUBLICATIONS**

Photographs of roll cage design taken Aug. 29, 2014.

\* cited by examiner

*Primary Examiner* — Katrina A Betton

(74) *Attorney, Agent, or Firm* — Adam R. Stephenson. Ltd.

(57) **CLAIM**

The ornamental design for a roll cage, as shown and described.

**DESCRIPTION**

FIG. 1 is a perspective view of an implementation of a roll cage;

FIG. 2 is a front view of the roll cage of FIG. 1;

FIG. 3 is a rear view of the roll cage of FIG. 1;

FIG. 4 is a right side view of the roll cage of FIG. 1;

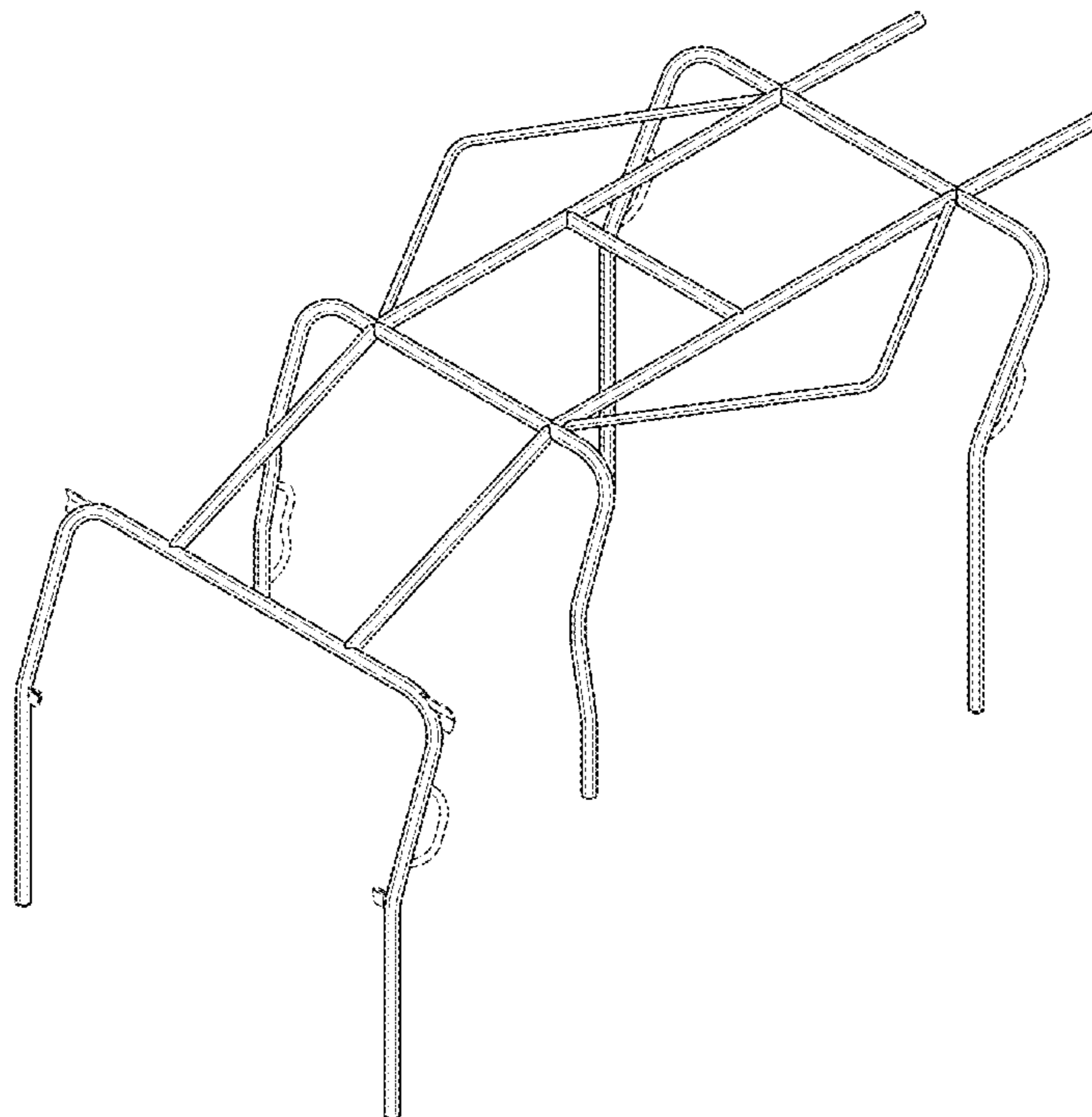
FIG. 5 is a left side view of the roll cage of FIG. 1;

FIG. 6 is a top view of the roll cage of FIG. 1; and,

FIG. 7 is a bottom view of the roll cage of FIG. 1.

The broken line showing of FIGS. 1-7 are for the purpose of illustrating environmental structure and portions of the article to which the design is applied and form no part of the claimed design.

**1 Claim, 6 Drawing Sheets**



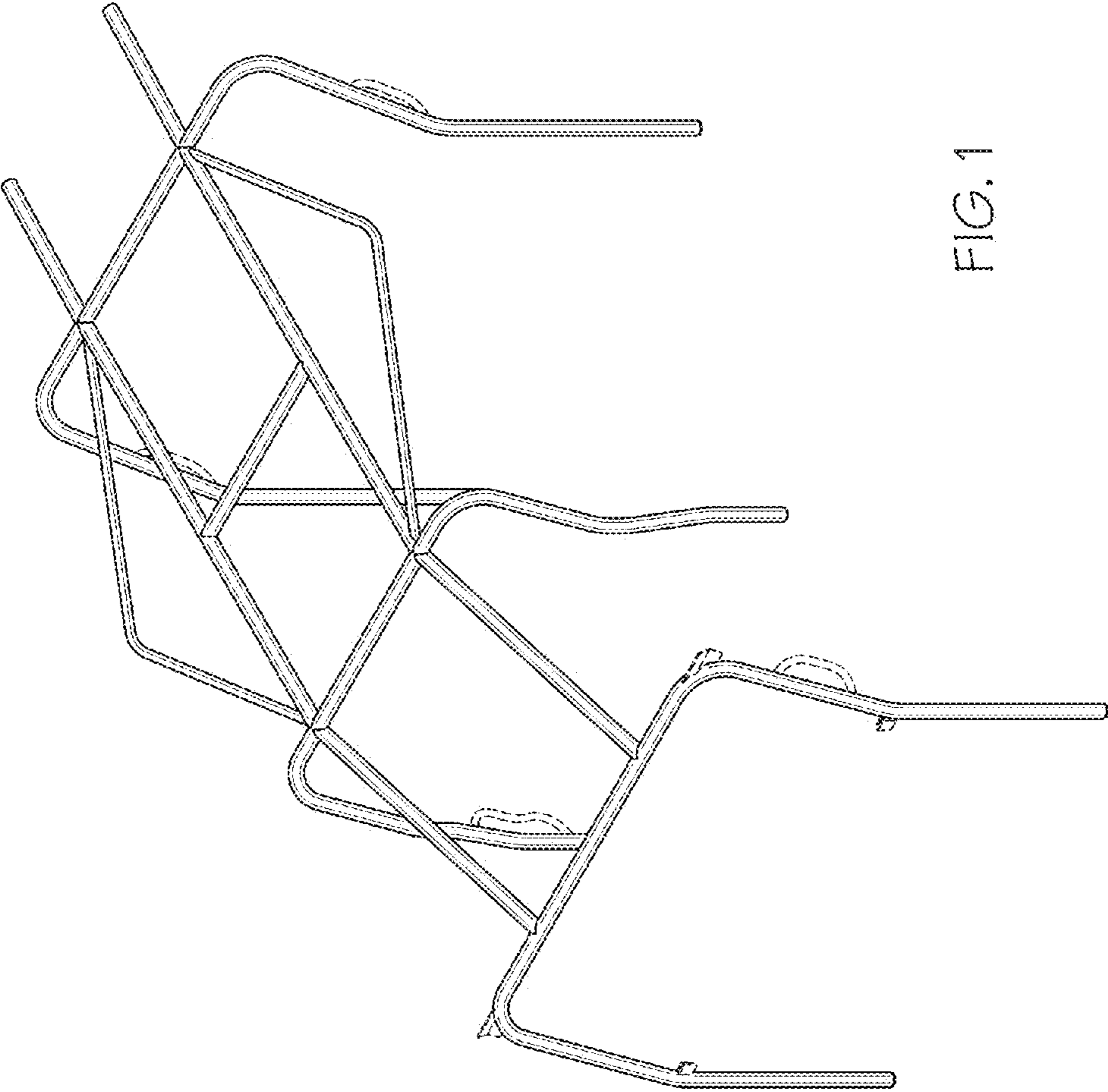


FIG. 1

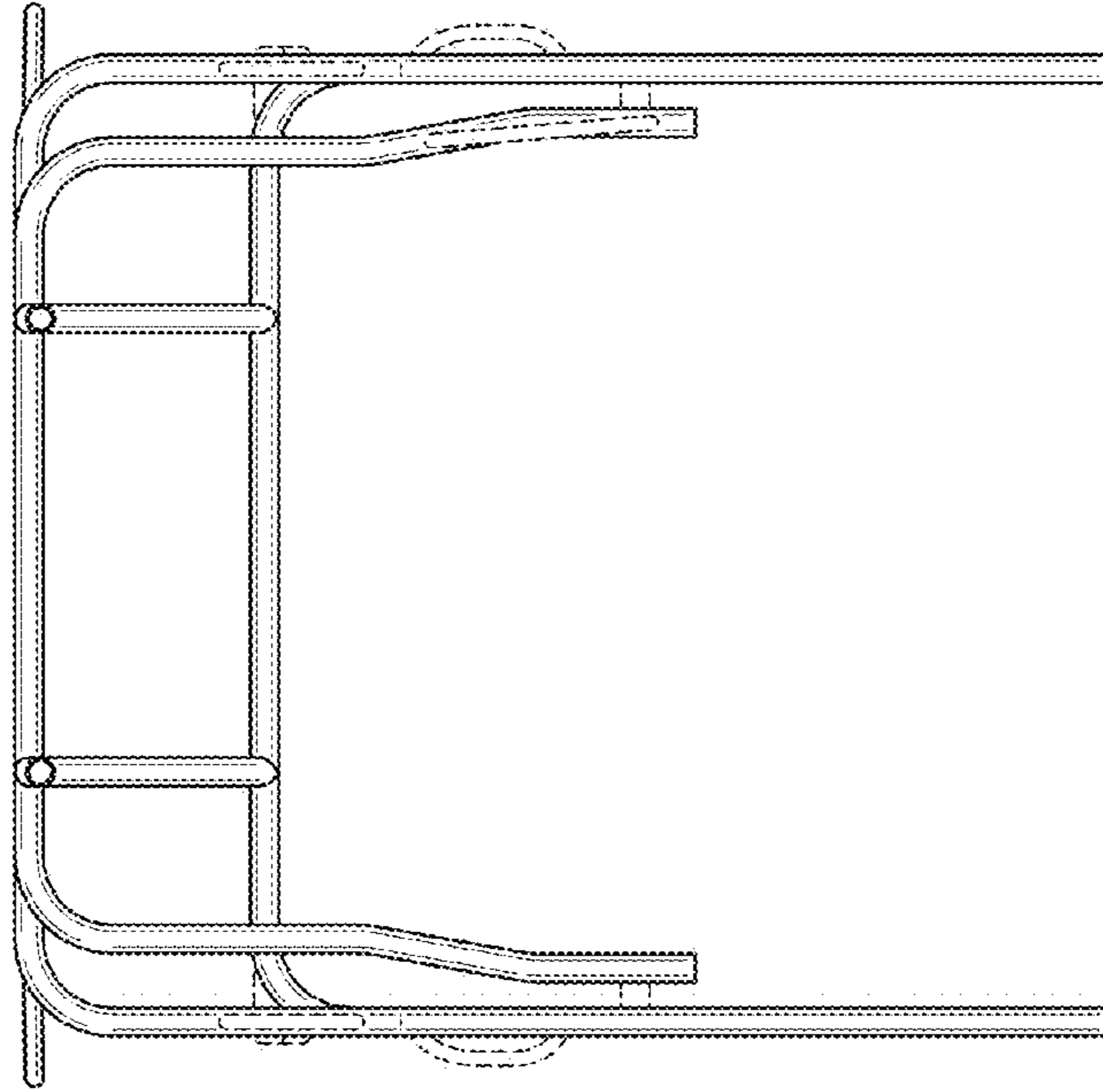


FIG. 3

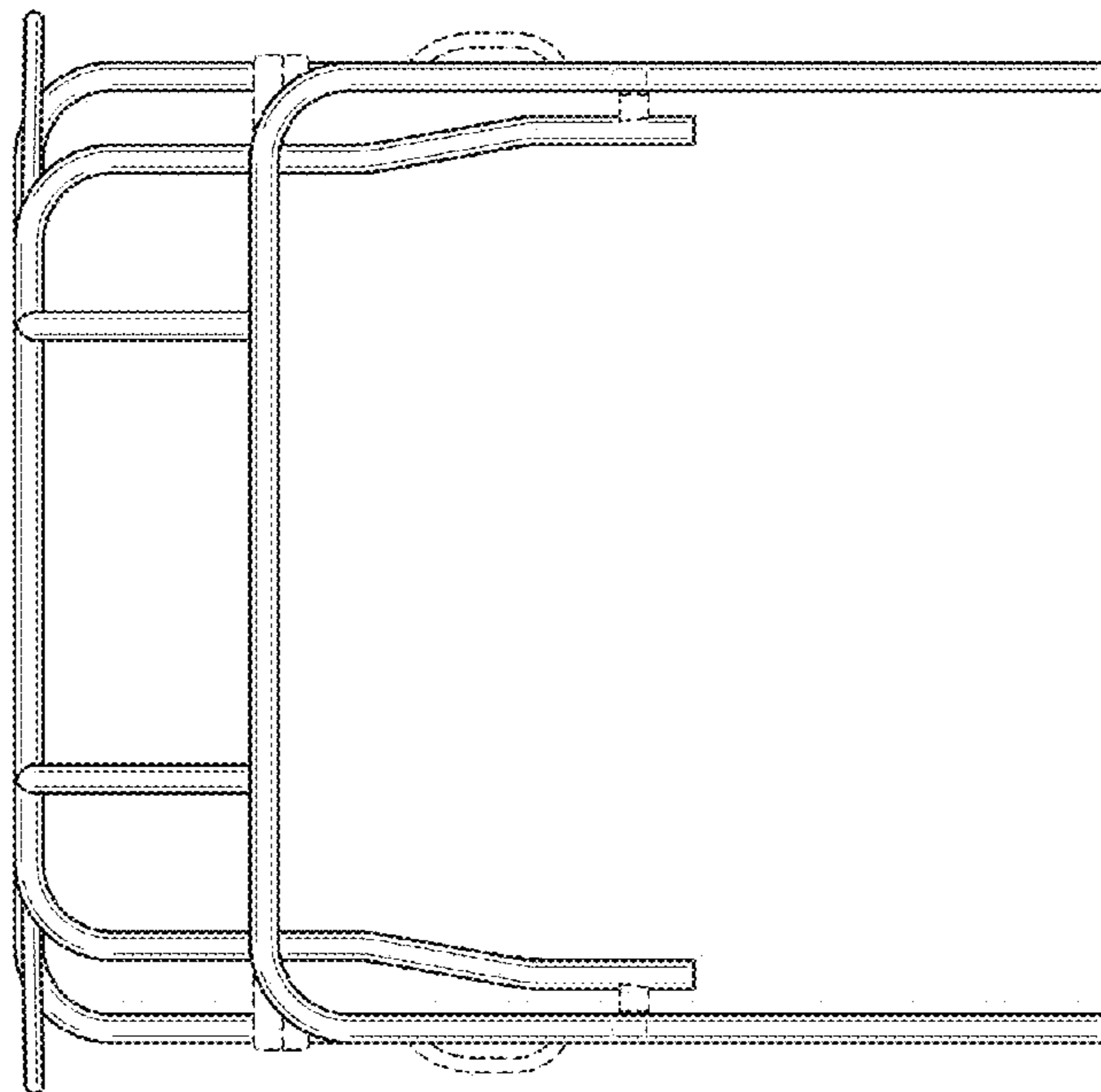


FIG. 2

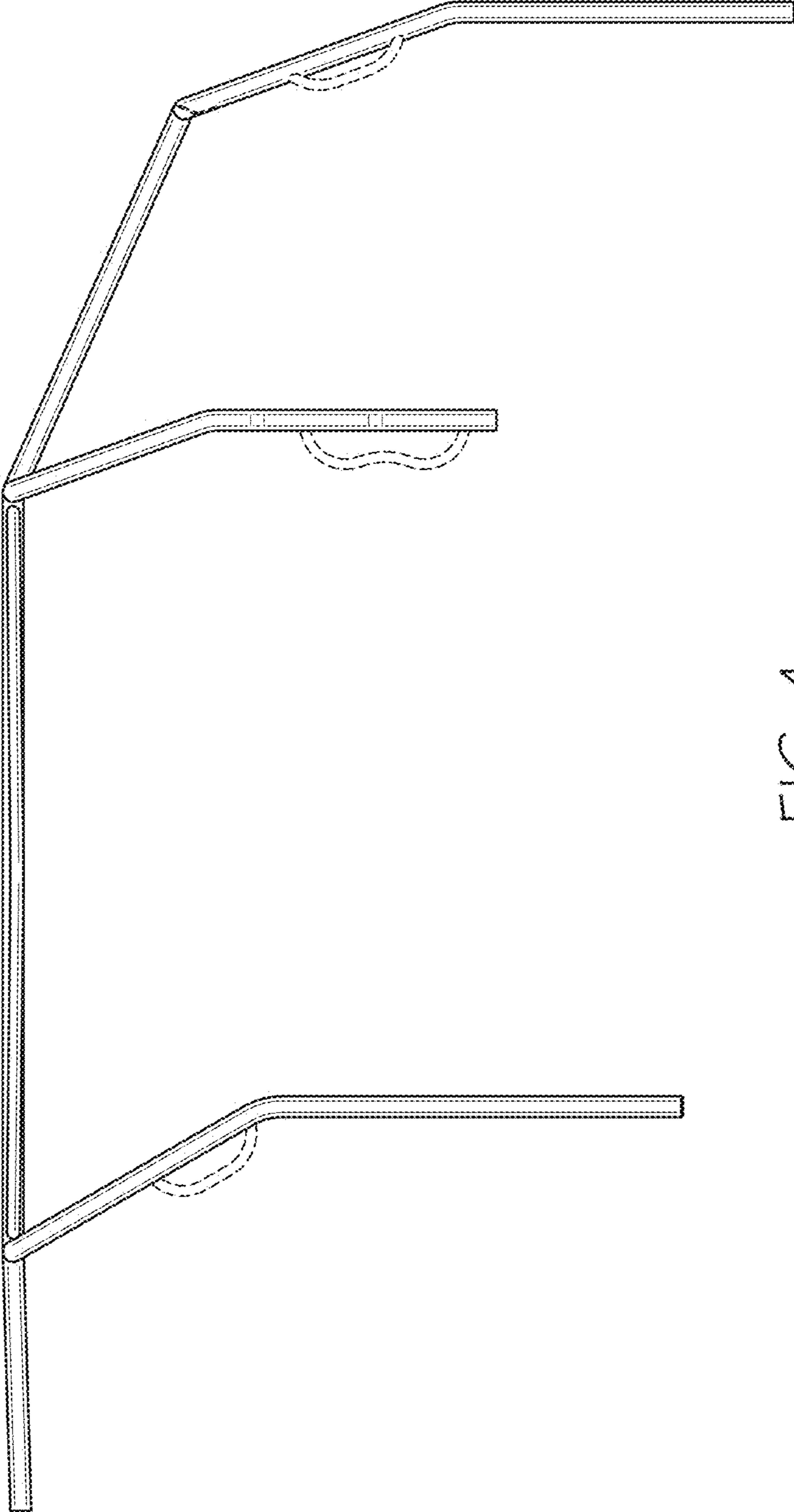


FIG. 4

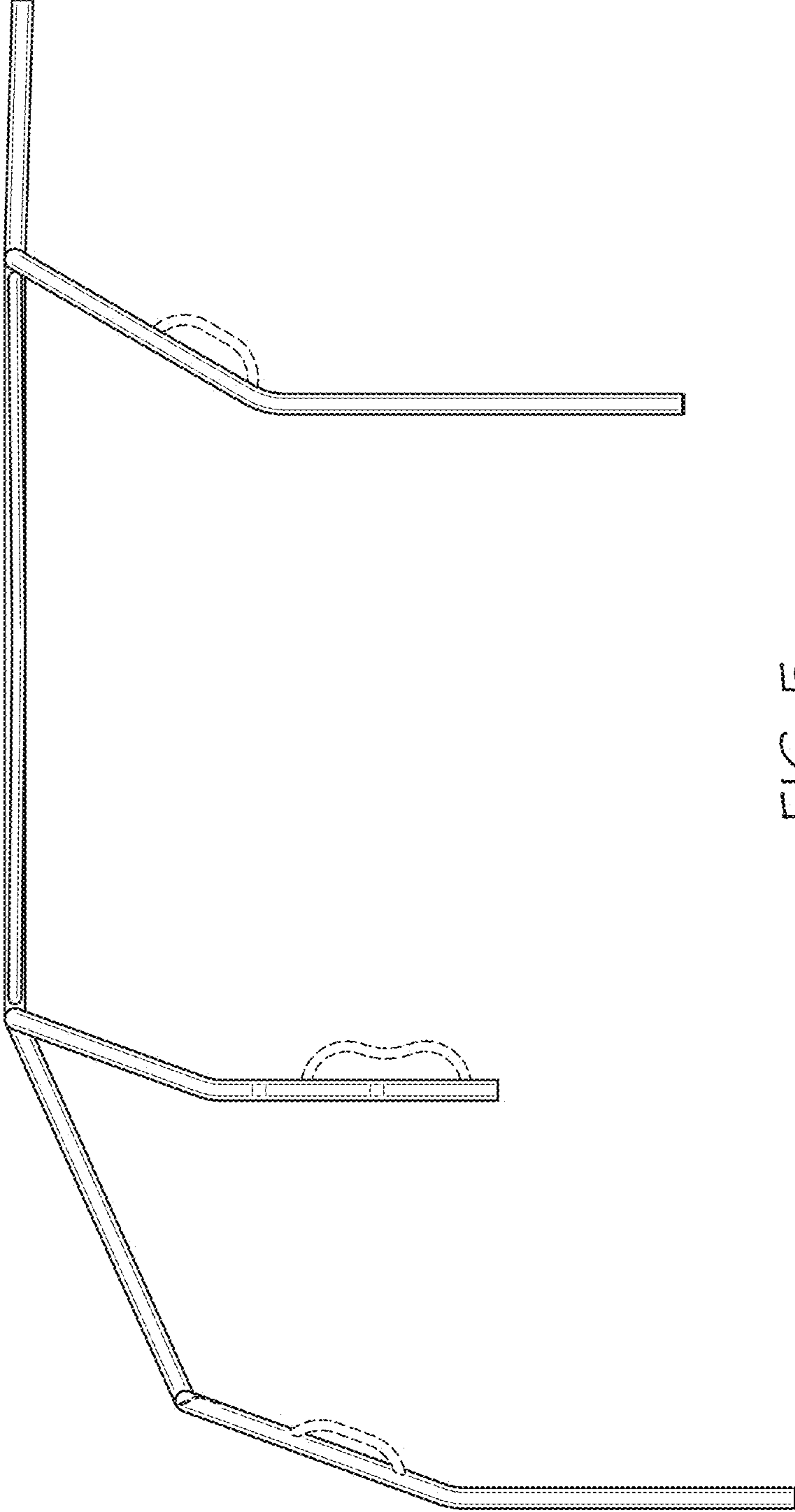


FIG. 5



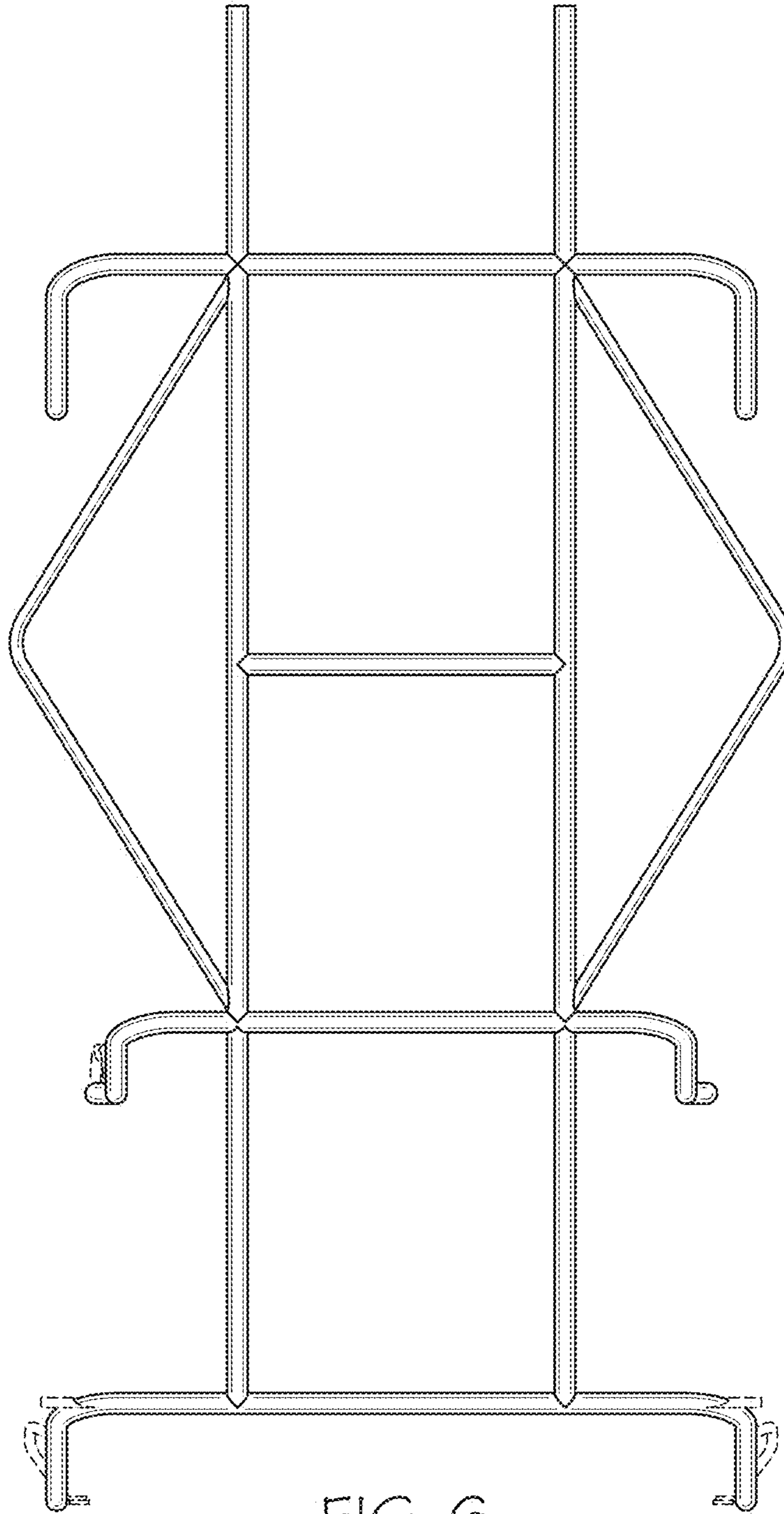


FIG. 6

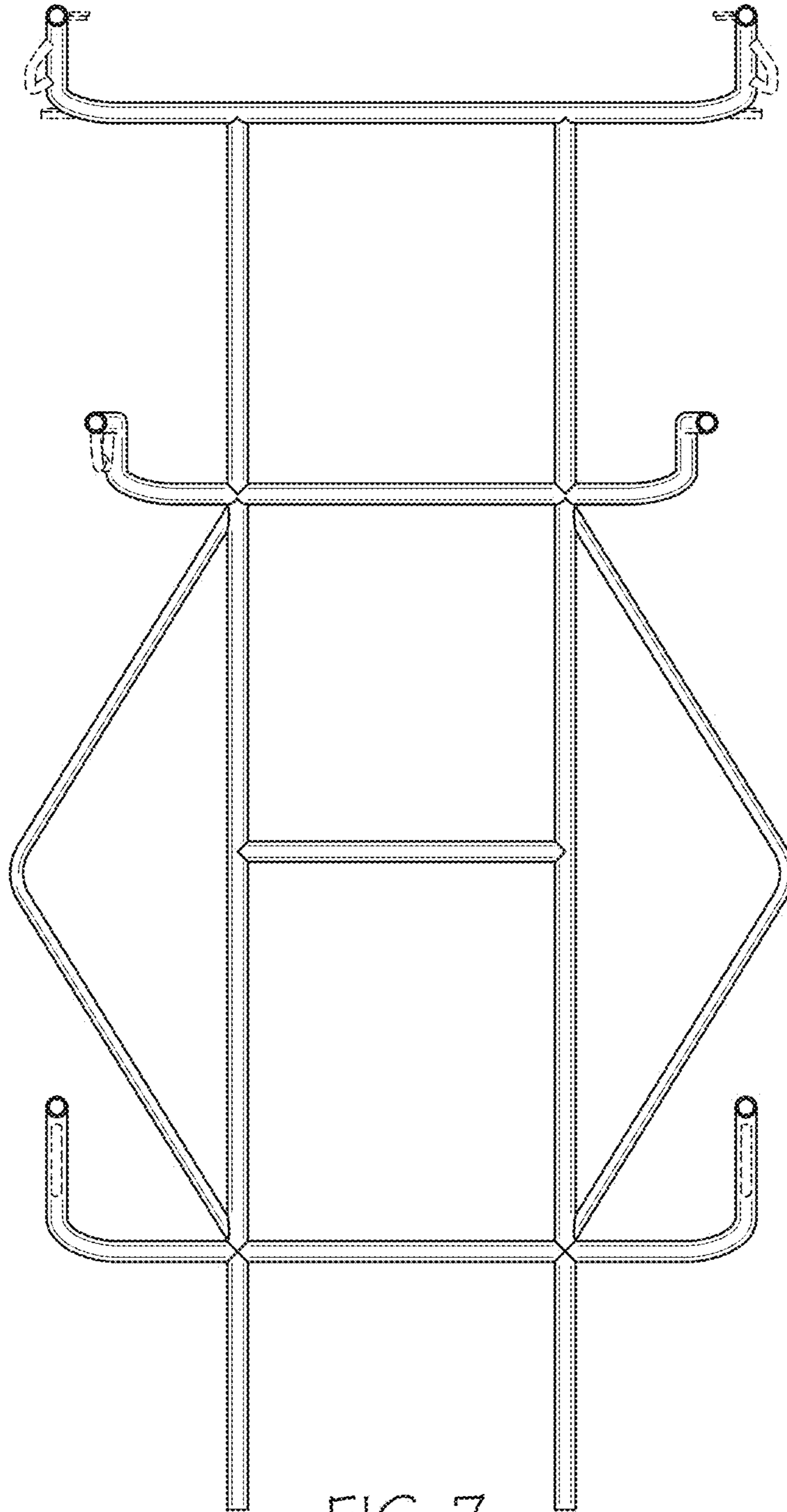


FIG. 7