



US00D766156S

(12) **United States Design Patent**
Hron

(10) **Patent No.:** **US D766,156 S**

(45) **Date of Patent:** **** Sep. 13, 2016**

- (54) **MULTI-COLOR BOAT ANCHOR**
- (71) Applicant: **Roloff Manufacturing Corporation**,
Kaukauna, WI (US)
- (72) Inventor: **Joshua Hron**, Appleton, WI (US)
- (73) Assignee: **ROLOFF MANUFACTURING CORPORATION**, Kaukauna, WI (US)
- (**) Term: **14 Years**
- (21) Appl. No.: **29/495,747**
- (22) Filed: **Jul. 3, 2014**
- (51) **LOC (10) Cl.** **12-06**
- (52) **U.S. Cl.**
USPC **D12/215**
- (58) **Field of Classification Search**
USPC D12/215, 300, 317
CPC B63B 21/24; B63B 21/243; B63B 21/32;
B63B 21/34
See application file for complete search history.

- 5,154,133 A * 10/1992 Hallerberg B63B 21/44
114/303
- D333,291 S * 2/1993 Burson D12/215
- 5,188,055 A * 2/1993 Kershner B63B 21/32
114/299
- D387,322 S * 12/1997 Mele D12/215
- D397,078 S * 8/1998 Bartkus D12/215
- 6,038,996 A * 3/2000 Giles B63B 21/24
114/297
- D427,559 S * 7/2000 Mele D12/215
- 6,092,484 A * 7/2000 Babin B63B 21/26
114/294
- 6,119,618 A * 9/2000 Giles B63B 21/24
114/297
- 6,148,758 A * 11/2000 Wilkins B63B 21/40
114/301
- D445,393 S * 7/2001 Dallavalle D12/215
- 6,332,423 B1 * 12/2001 Petersen B63B 21/32
114/293
- 6,626,123 B1 * 9/2003 MacKarvich B63B 21/44
114/304
- D581,184 S * 11/2008 Washam D6/688
- D587,182 S * 2/2009 Walton D12/215
- 2012/0137953 A1 * 6/2012 Murray B63B 17/00
114/361

(56) **References Cited**

U.S. PATENT DOCUMENTS

- 2,651,277 A * 9/1953 Jenschak B63B 21/44
114/299
- 3,797,443 A * 3/1974 Woolsey B63B 21/46
114/299
- D244,772 S * 6/1977 Zongker D12/215
- 4,111,147 A * 9/1978 Morissette B63B 21/243
114/298
- D256,578 S * 8/1980 Oberg D12/215
- 4,230,062 A * 10/1980 Fornasiero B63B 21/44
114/297
- D259,781 S * 7/1981 Holmes D12/215
- 4,385,584 A * 5/1983 Simpson, III B63B 21/44
114/294
- 4,523,539 A * 6/1985 Granger B63B 21/22
114/299
- 4,596,202 A * 6/1986 Brewster B63B 21/243
114/303
- D289,153 S * 4/1987 Silberman D12/215
- D303,105 S * 8/1989 Stafford D12/215
- D303,369 S * 9/1989 Abernethy D12/215
- 4,892,053 A * 1/1990 Hallerberg B63B 21/44
114/303
- 5,054,416 A * 10/1991 Zetah B63B 21/22
114/304
- 5,092,261 A * 3/1992 Bertrand B63B 21/243
114/303

OTHER PUBLICATIONS

Roloff Anchors Catalog, www.roloffmfg.com, 2012, 4 pages.

* cited by examiner

Primary Examiner — George D Kirschbaum

Assistant Examiner — Clese Moore, Jr.

(57) **CLAIM**

The ornamental design for a multi-color boat anchor, as shown and described.

DESCRIPTION

FIG. 1 is a perspective view of a multi-color boat anchor according to the present invention, wherein the shaded portion is a first color and the unshaded portion is a second color, the first and second colors being different.

FIG. 2 is a right side elevation view thereof;

FIG. 3 is a left side elevation view thereof;

FIG. 4 is a top plan view thereof;

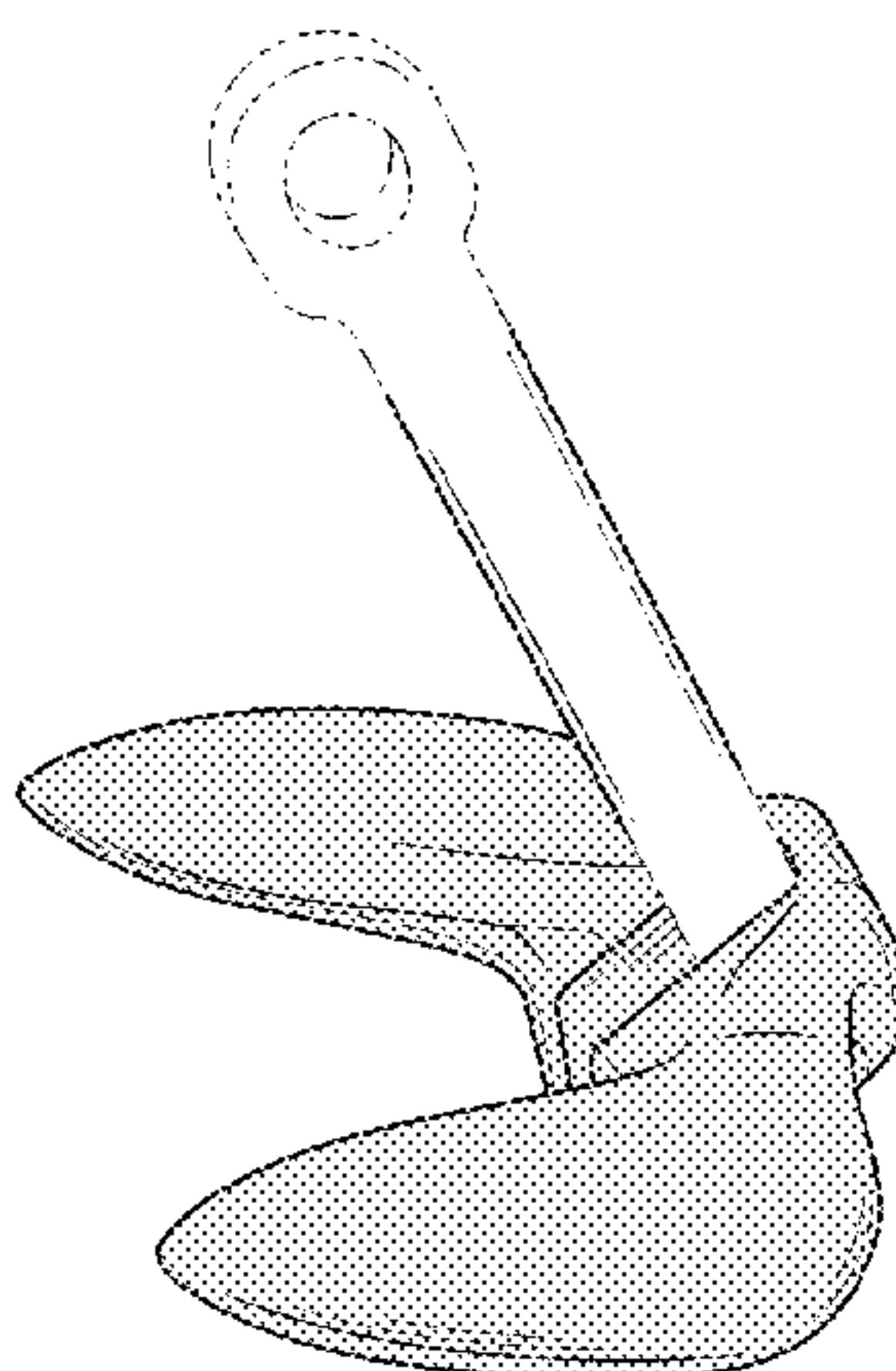
FIG. 5 is a bottom plan view thereof;

FIG. 6 is a front elevation view thereof; and,

FIG. 7 is a rear elevation view thereof.

The broken lines illustrated show portions of the multi-color boat anchor that form no part of the claimed design.

1 Claim, 2 Drawing Sheets



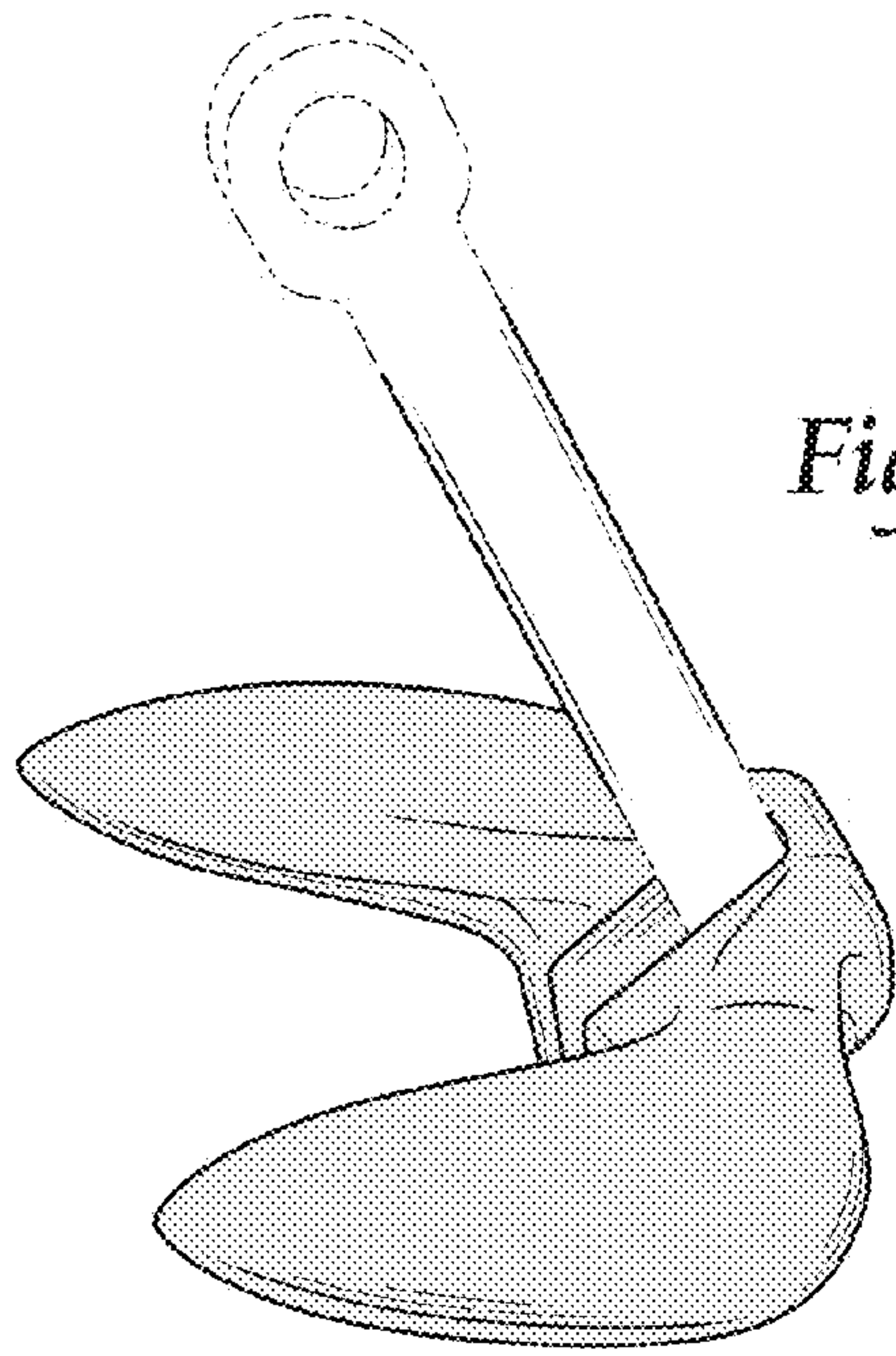


Fig. 1

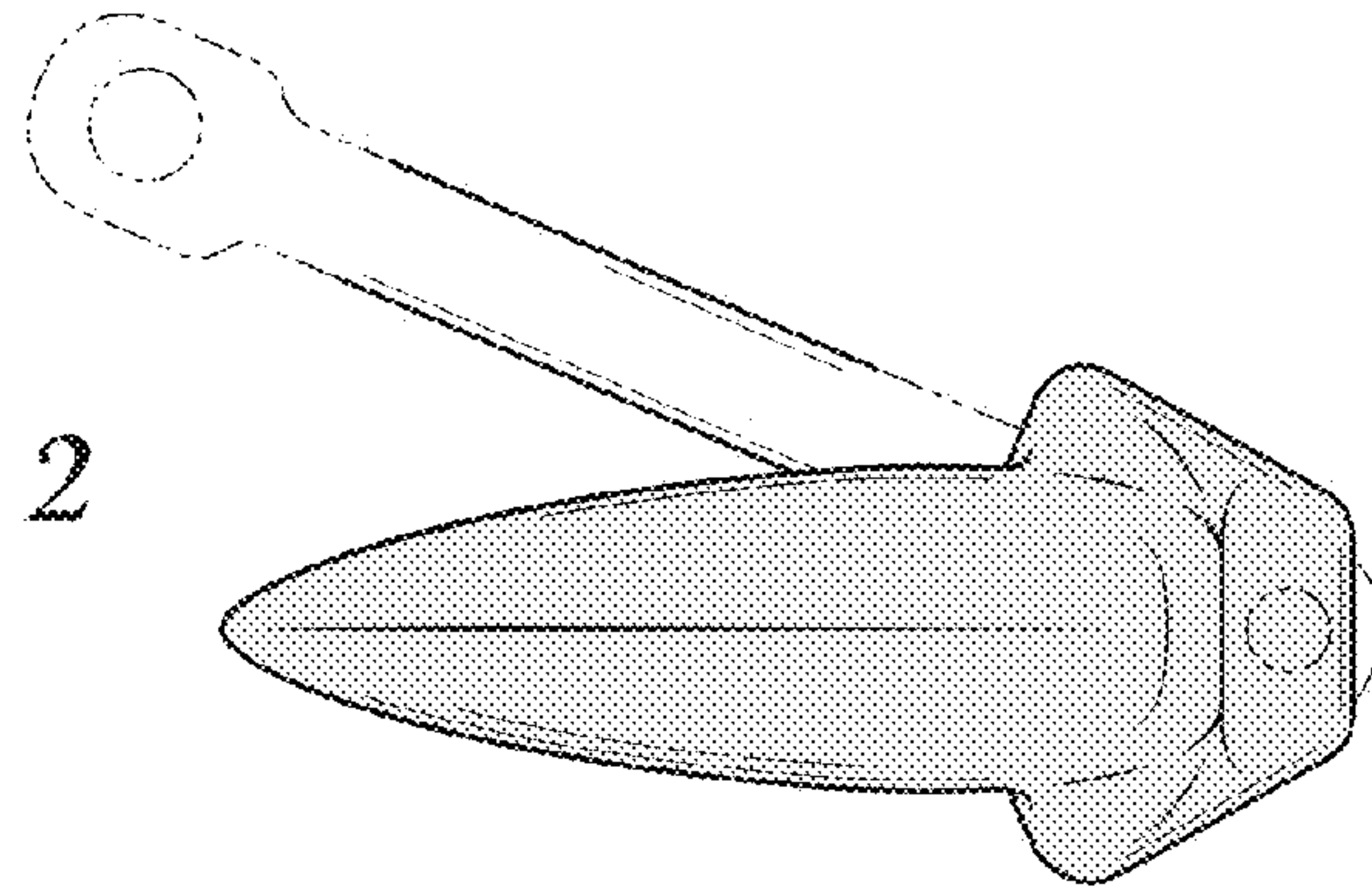


Fig. 2

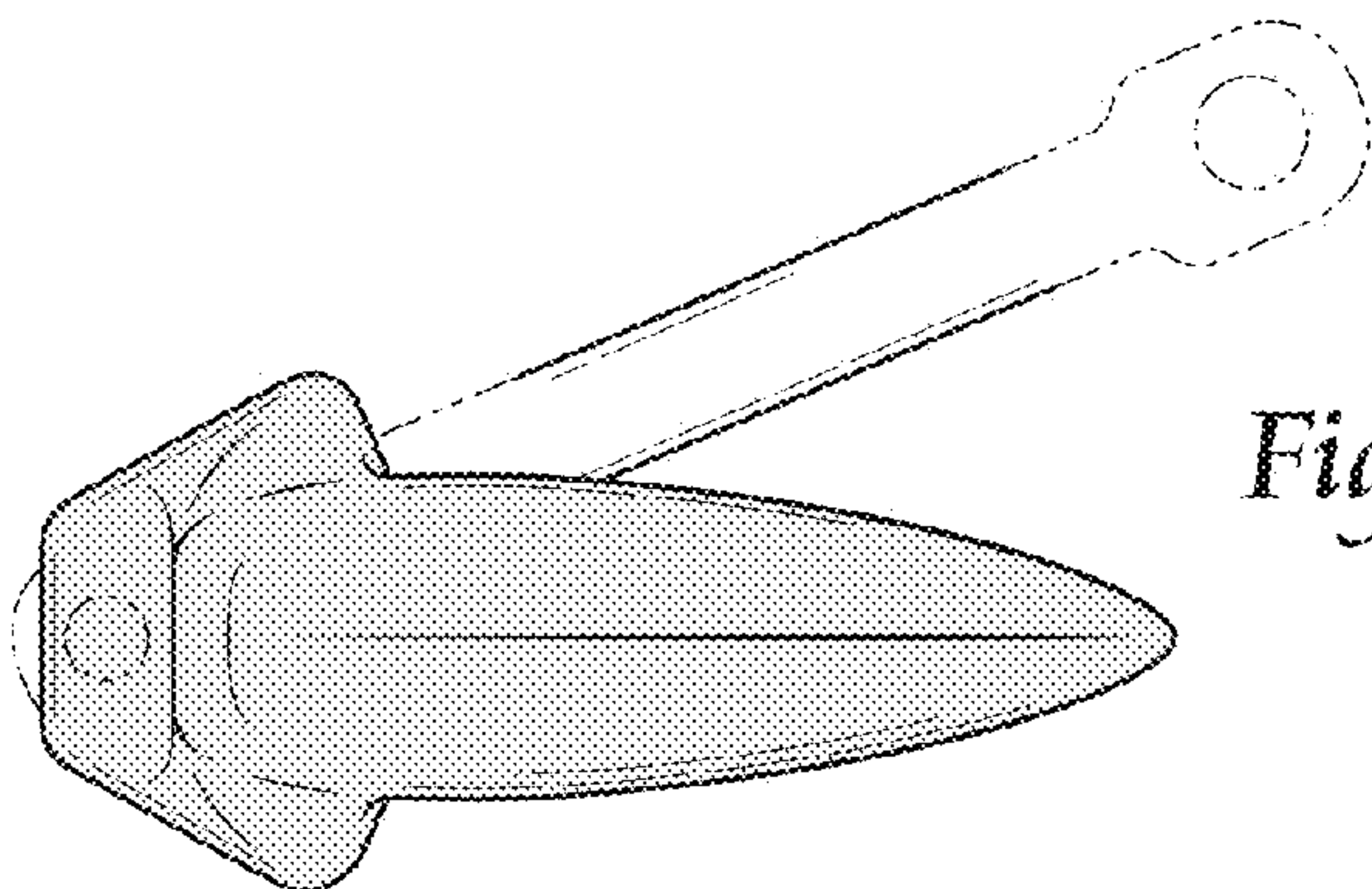


Fig. 3

Fig. 4

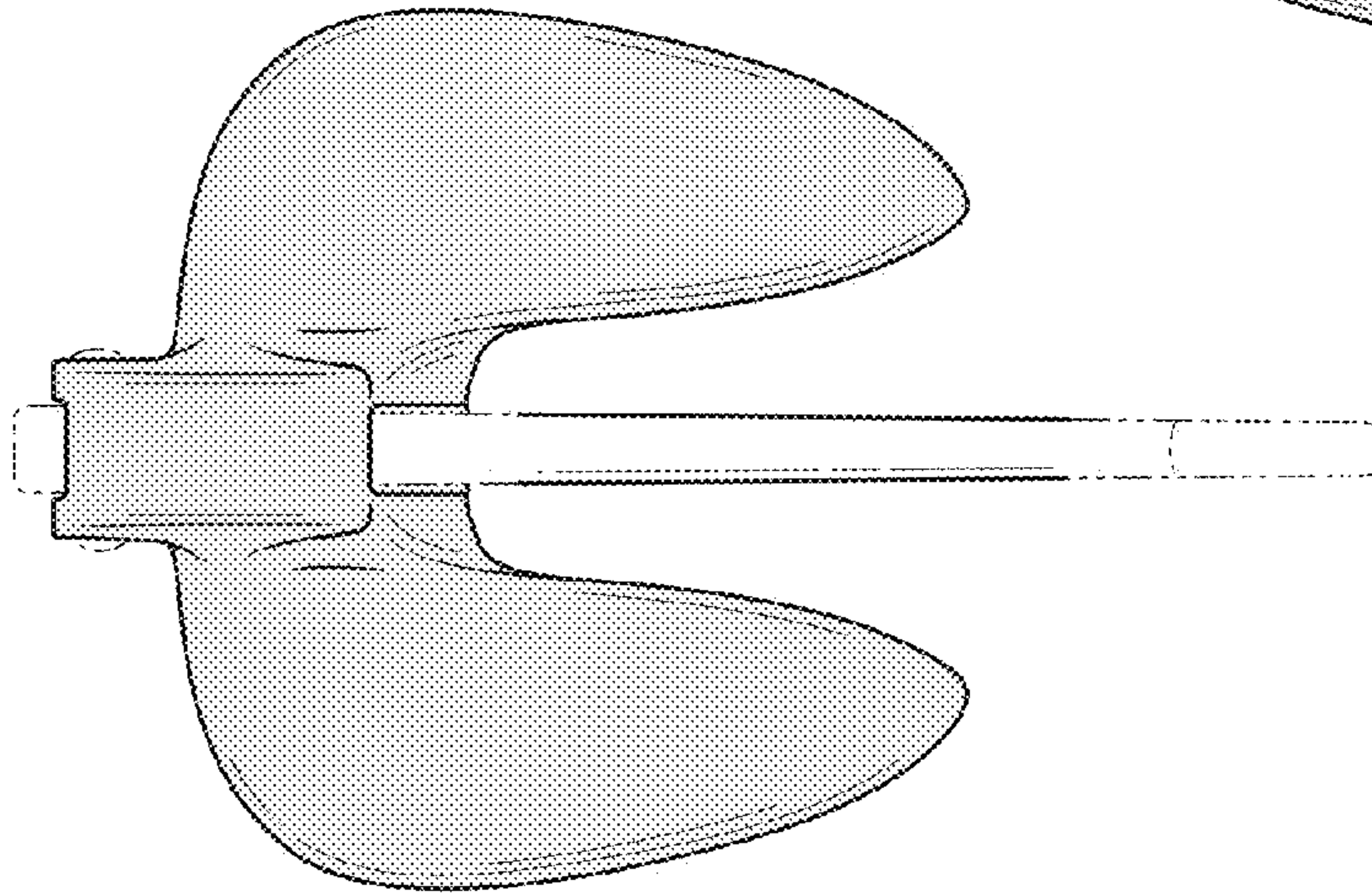
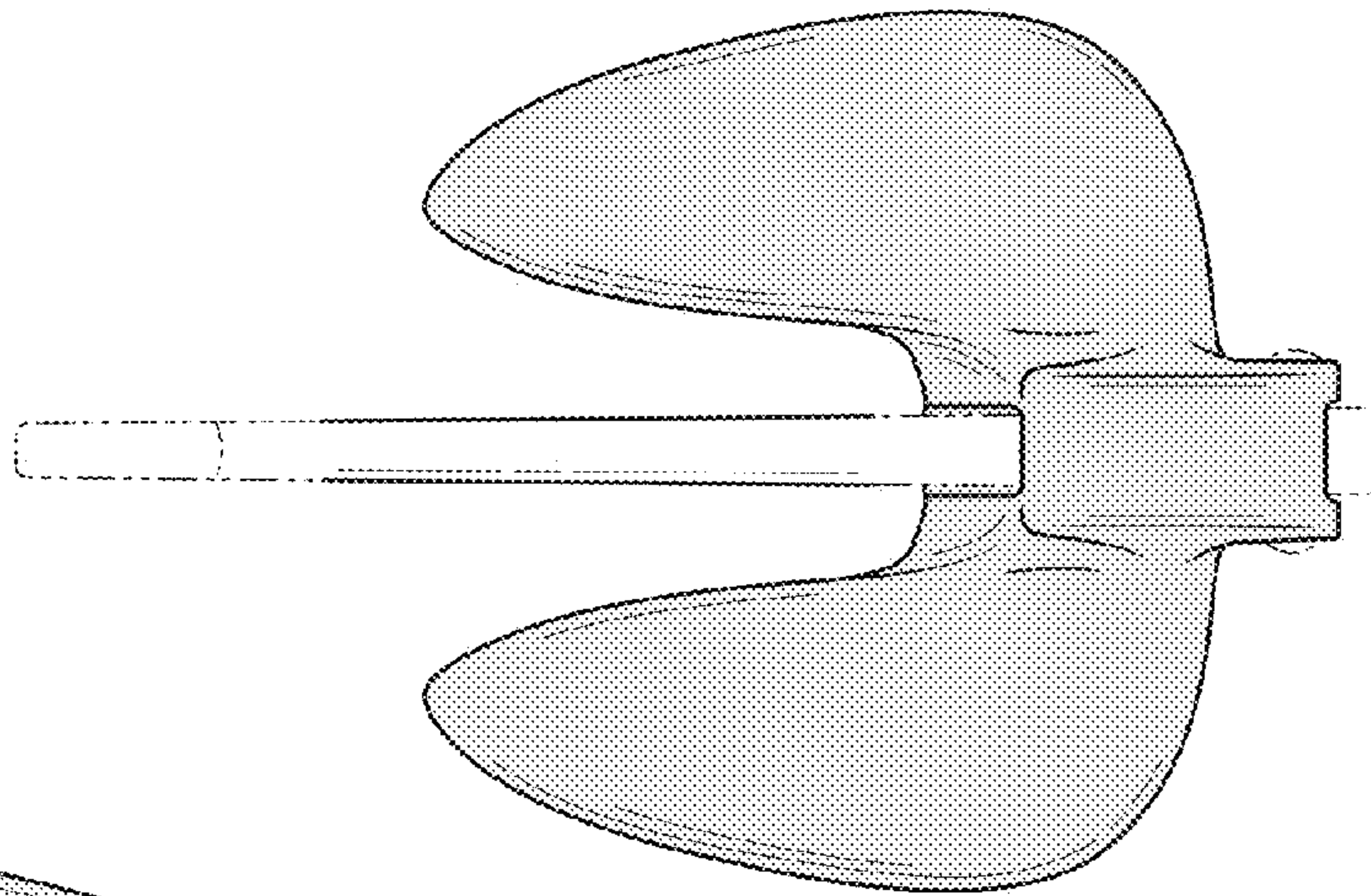


Fig. 5

Fig. 6

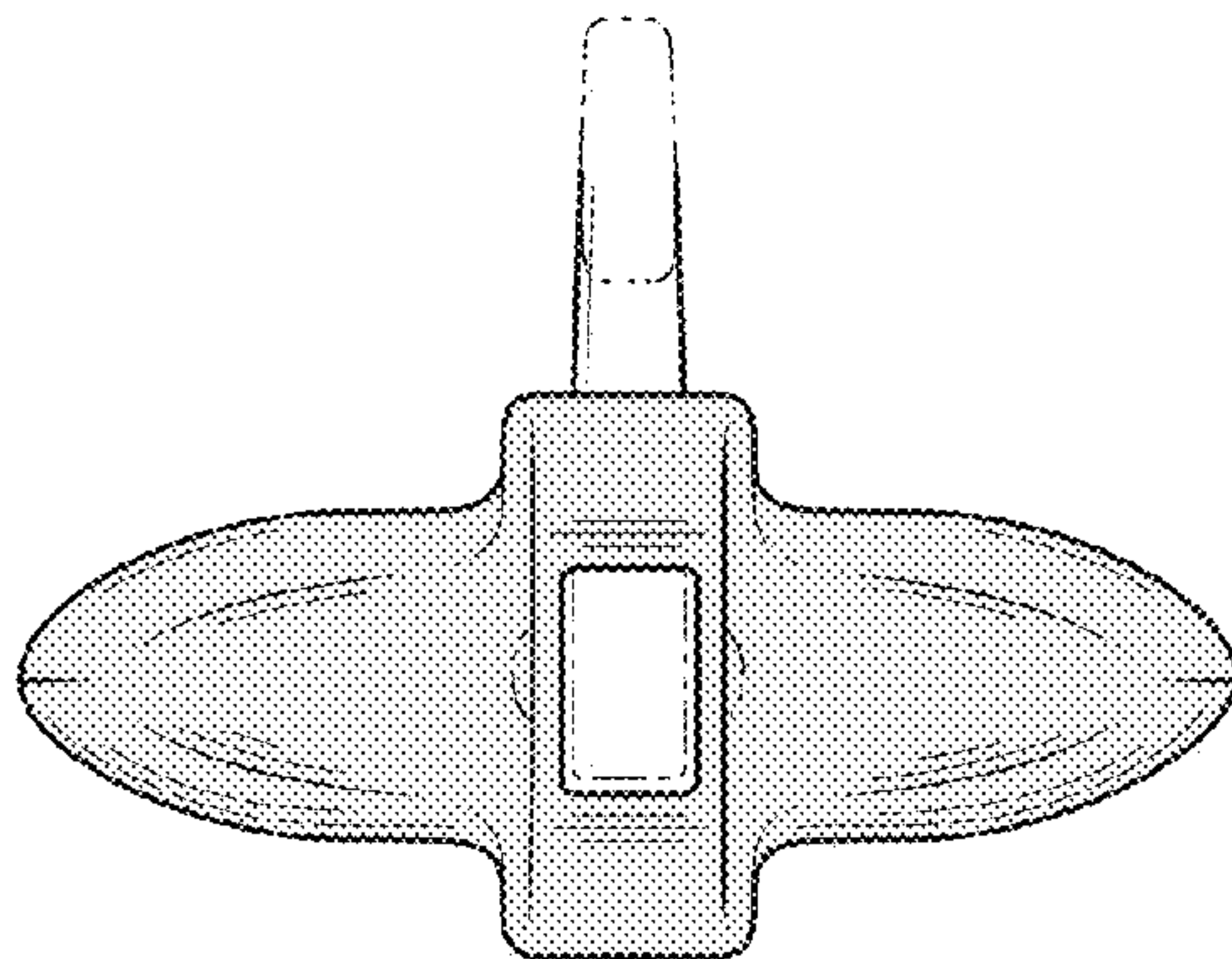
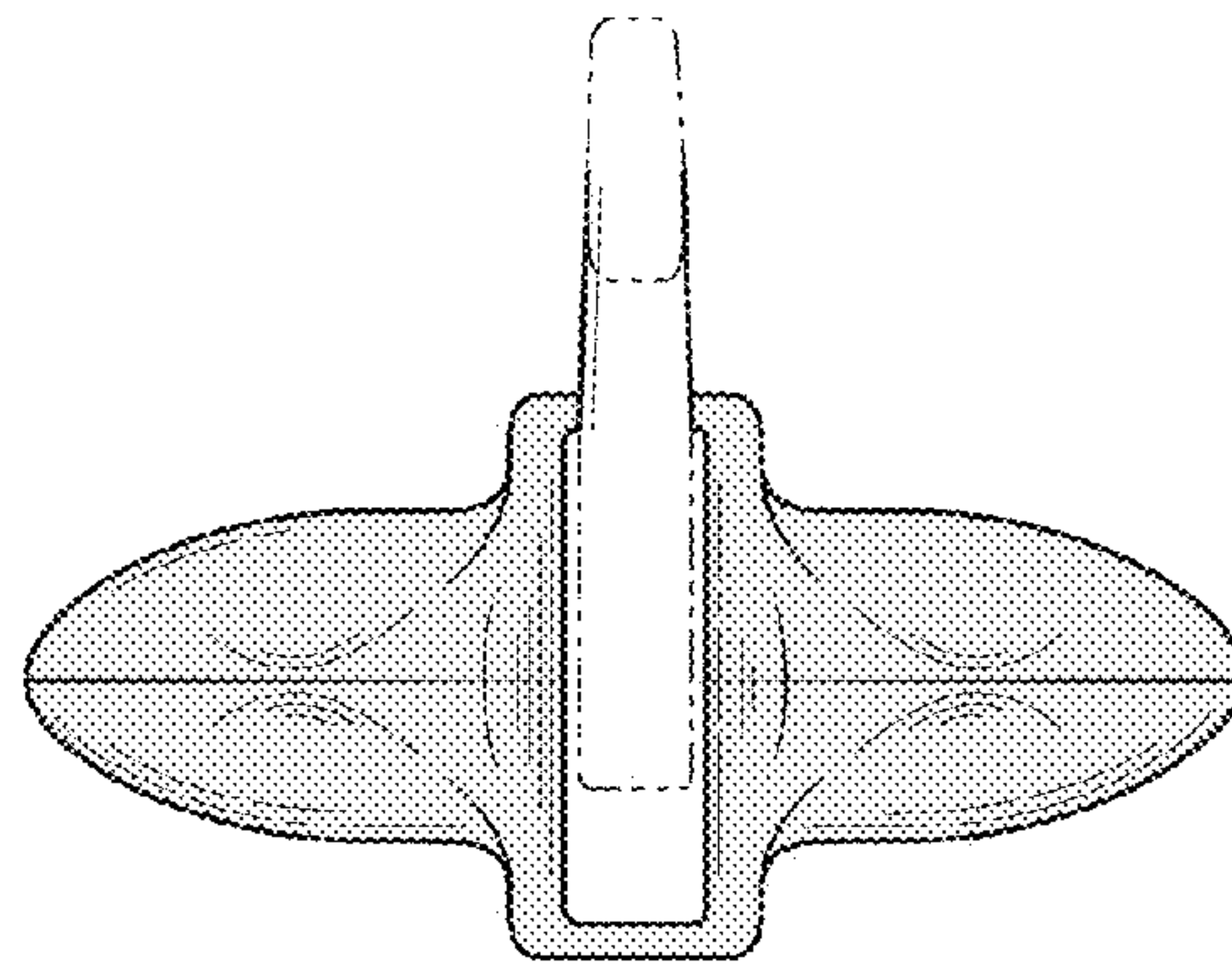


Fig. 7